



**Norme
Tunisienne
Enregistrée**

NT CEI 61000-4-8:2009

Accordé par l'INNORPI au CERT
Bon de commande Client n° CDA12000028 daté du 2012-02-03
Utilisateur unique, copie et mise en réseau interdite

Edition Janvier 2011

Indice de classement NT 85.193-4-8(2010)

Numero d'enregistrement : 16192

Date d'enregistrement: 31/1/2011

**COMPATIBILITÉ ÉLECTROMAGNÉTIQUE (CEM) - PARTIE 4-8:
TECHNIQUES D'ESSAI ET DE MESURE - ESSAI D'IMMUNITÉ AU
CHAMP MAGNÉTIQUE À LA FRÉQUENCE DU RÉSEAU**

*Edité et diffusé par l'Institut National de la Normalisation et de la Propriété Industrielle
Rue 8451 n°8 par la rue Alain savary, BP 57-Cité EL Khadra- 1003 Tunis-Tunisie
Tél : +216 71.806.758 -Téléfax +216 807.071
Adresse électronique : inorpi@planet.tn Site Web : <http://www.inorpi.ind.tn>*

Avant-propos national

La présente norme tunisienne est identique à la norme internationale CEI
61000-4-8:2009

Elle a été adoptée par les membres de la commission technique de
normalisation 85 Électricité – Généralités

INTERNATIONAL STANDARD

NORME INTERNATIONALE

BASIC EMC PUBLICATION

PUBLICATION FONDAMENTALE EN CEM

**Electromagnetic compatibility (EMC) –
Part 4-8: Testing and measurement techniques – Power frequency magnetic field
immunity test**

**Compatibilité électromagnétique (CEM) –
Partie 4-8: Techniques d'essai et de mesure – Essai d'immunité au champ
magnétique à la fréquence du réseau**





THIS PUBLICATION IS COPYRIGHT PROTECTED

Copyright © 2009 IEC, Geneva, Switzerland

All rights reserved. Unless otherwise specified, no part of this publication may be reproduced or utilized in any form or by any means, electronic or mechanical, including photocopying and microfilm, without permission in writing from either IEC or IEC's member National Committee in the country of the requester.

If you have any questions about IEC copyright or have an enquiry about obtaining additional rights to this publication, please contact the address below or your local IEC member National Committee for further information.

Droits de reproduction réservés. Sauf indication contraire, aucune partie de cette publication ne peut être reproduite ni utilisée sous quelque forme que ce soit et par aucun procédé, électronique ou mécanique, y compris la photocopie et les microfilms, sans l'accord écrit de la CEI ou du Comité national de la CEI du pays du demandeur.

Si vous avez des questions sur le copyright de la CEI ou si vous désirez obtenir des droits supplémentaires sur cette publication, utilisez les coordonnées ci-après ou contactez le Comité national de la CEI de votre pays de résidence.

IEC Central Office
3, rue de Varembe
CH-1211 Geneva 20
Switzerland
Email: inmail@iec.ch
Web: www.iec.ch

About the IEC

The International Electrotechnical Commission (IEC) is the leading global organization that prepares and publishes International Standards for all electrical, electronic and related technologies.

About IEC publications

The technical content of IEC publications is kept under constant review by the IEC. Please make sure that you have the latest edition, a corrigenda or an amendment might have been published.

- Catalogue of IEC publications: www.iec.ch/searchpub

The IEC on-line Catalogue enables you to search by a variety of criteria (reference number, text, technical committee,...). It also gives information on projects, withdrawn and replaced publications.

- IEC Just Published: www.iec.ch/online_news/justpub

Stay up to date on all new IEC publications. Just Published details twice a month all new publications released. Available on-line and also by email.

- Electropedia: www.electropedia.org

The world's leading online dictionary of electronic and electrical terms containing more than 20 000 terms and definitions in English and French, with equivalent terms in additional languages. Also known as the International Electrotechnical Vocabulary online.

- Customer Service Centre: www.iec.ch/webstore/custserv

If you wish to give us your feedback on this publication or need further assistance, please visit the Customer Service Centre FAQ or contact us:

Email: csc@iec.ch
Tel.: +41 22 919 02 11
Fax: +41 22 919 03 00

A propos de la CEI

La Commission Electrotechnique Internationale (CEI) est la première organisation mondiale qui élabore et publie des normes internationales pour tout ce qui a trait à l'électricité, à l'électronique et aux technologies apparentées.

A propos des publications CEI

Le contenu technique des publications de la CEI est constamment revu. Veuillez vous assurer que vous possédez l'édition la plus récente, un corrigendum ou amendement peut avoir été publié.

- Catalogue des publications de la CEI: www.iec.ch/searchpub/cur_fut-f.htm

Le Catalogue en-ligne de la CEI vous permet d'effectuer des recherches en utilisant différents critères (numéro de référence, texte, comité d'études,...). Il donne aussi des informations sur les projets et les publications retirées ou remplacées.

- Just Published CEI: www.iec.ch/online_news/justpub

Restez informé sur les nouvelles publications de la CEI. Just Published détaille deux fois par mois les nouvelles publications parues. Disponible en-ligne et aussi par email.

- Electropedia: www.electropedia.org

Le premier dictionnaire en ligne au monde de termes électroniques et électriques. Il contient plus de 20 000 termes et définitions en anglais et en français, ainsi que les termes équivalents dans les langues additionnelles. Egalement appelé Vocabulaire Electrotechnique International en ligne.

- Service Clients: www.iec.ch/webstore/custserv/custserv_entry-f.htm

Si vous désirez nous donner des commentaires sur cette publication ou si vous avez des questions, visitez le FAQ du Service clients ou contactez-nous:

Email: csc@iec.ch
Tél.: +41 22 919 02 11
Fax: +41 22 919 03 00



INTERNATIONAL STANDARD

NORME INTERNATIONALE

BASIC EMC PUBLICATION
PUBLICATION FONDAMENTALE EN CEM

**Electromagnetic compatibility (EMC) –
Part 4-8: Testing and measurement techniques – Power frequency magnetic
field immunity test**

**Compatibilité électromagnétique (CEM) –
Partie 4-8: Techniques d'essai et de mesure – Essai d'immunité au champ
magnétique à la fréquence du réseau**

INTERNATIONAL
ELECTROTECHNICAL
COMMISSION

COMMISSION
ELECTROTECHNIQUE
INTERNATIONALE

PRICE CODE
CODE PRIX



ICS 33.100.20

ISBN 2-8318-1059-7

CONTENTS

| | |
|---|----|
| FOREWORD..... | 4 |
| INTRODUCTION..... | 6 |
| 1 Scope..... | 7 |
| 2 Normative references | 7 |
| 3 Terms and definitions | 7 |
| 4 General | 8 |
| 5 Test levels..... | 9 |
| 6 Test equipment..... | 10 |
| 6.1 General..... | 10 |
| 6.2 Test generator..... | 10 |
| 6.2.1 Current source..... | 10 |
| 6.2.2 Characteristics and performances of the test generator for different inductive coils..... | 10 |
| 6.2.3 Verification of the characteristics of the test generator | 11 |
| 6.3 Inductive coil | 12 |
| 6.3.1 Field distribution | 12 |
| 6.3.2 Characteristics of the inductive standard coils 1 m × 1 m and 1 m × 2,6 m | 12 |
| 6.3.3 Characteristics of the inductive coils for table top and floor standing equipment | 12 |
| 6.3.4 Measurement of the inductive coil factor..... | 13 |
| 6.4 Test and auxiliary instrumentation | 13 |
| 6.4.1 Test instrumentation | 13 |
| 6.4.2 Auxiliary instrumentation | 14 |
| 7 Test set-up | 14 |
| 7.1 Test set-up components | 14 |
| 7.2 Ground (reference) plane for floor standing equipment..... | 14 |
| 7.3 Equipment under test | 14 |
| 7.4 Test generator..... | 15 |
| 7.5 Inductive coil | 15 |
| 8 Test procedure | 15 |
| 8.1 General..... | 15 |
| 8.2 Laboratory reference conditions | 15 |
| 8.2.1 General | 15 |
| 8.2.2 Climatic conditions | 15 |
| 8.2.3 Electromagnetic conditions..... | 16 |
| 8.3 Carrying out the test..... | 16 |
| 9 Evaluation of the test results | 17 |
| 10 Test report..... | 17 |
| Annex A (normative) Inductive coil calibration method | 22 |
| Annex B (normative) Characteristics of the inductive coils | 23 |
| Annex C (informative) Selection of the test levels | 29 |
| Annex D (informative) Information on power frequency magnetic field strength | 31 |
| Bibliography..... | 33 |

| | |
|---|----|
| Figure 1 – Example of application of the test field by the immersion method | 18 |
| Figure 2 – Example of schematic circuit of the test generator for power frequency magnetic field | 18 |
| Figure 3 – Example of test set-up for table-top equipment | 19 |
| Figure 4 – Calibration of the standard coils | 19 |
| Figure 5 – Example of test set-up for floor-standing equipment | 20 |
| Figure 6 – Example of investigation of susceptibility to magnetic field by the proximity method with the 1 m × 1 m inductive coil | 20 |
| Figure 7 – Illustration of Helmholtz coils | 21 |
| Figure B.1 – Characteristics of the field generated by a square inductive coil (1 m side) in its plane | 25 |
| Figure B.2 – 3 dB area of the field generated by a square inductive coil (1 m side) in its plane | 25 |
| Figure B.3 – 3 dB area of the field generated by a square inductive coil (1 m side) in the mean orthogonal plane (component orthogonal to the plane of the coil) | 26 |
| Figure B.4 – 3 dB area of the field generated by two square inductive coils (1 m side) 0,6 m spaced, in the mean orthogonal plane (component orthogonal to the plane of the coils) | 26 |
| Figure B.5 – 3 dB area of the field generated by two square inductive coils (1 m side) 0,8 m spaced, in the mean orthogonal plane (component orthogonal to the plane of the coils) | 27 |
| Figure B.6 – 3 dB area of the field generated by a rectangular inductive coil (1 m × 2,6 m) in its plane | 27 |
| Figure B.7 – 3 dB area of the field generated by a rectangular inductive coil (1 m × 2,6 m) in its plane (ground plane as a side of the inductive coil) | 28 |
| Figure B.8 – 3 dB area of the field generated by a rectangular inductive coil (1 m × 2,6 m) with ground plane, in the mean orthogonal plane (component orthogonal to the plane of the coil) | 28 |
| | |
| Table 1 – Test levels for continuous field | 9 |
| Table 2 – Test levels for short duration: 1 s to 3 s | 10 |
| Table 3 – Specification of the generator for different inductive coils | 11 |
| Table 4 – Verification parameter for the different inductive coils | 11 |
| Table D.1 – Values of the maximum magnetic field produced by household appliances (results of the measurements of 100 different devices of 25 basic types) | 31 |
| Table D.2 – Values of the magnetic field generated by a 400 kV line | 31 |
| Table D.3 – Values of the magnetic field in high voltage sub-station areas | 32 |
| Table D.4 – Values of the magnetic field in power plants | 32 |

INTERNATIONAL ELECTROTECHNICAL COMMISSION

ELECTROMAGNETIC COMPATIBILITY (EMC) –

Part 4-8: Testing and measurement techniques – Power frequency magnetic field immunity test

FOREWORD

- 1) The International Electrotechnical Commission (IEC) is a worldwide organization for standardization comprising all national electrotechnical committees (IEC National Committees). The object of IEC is to promote international co-operation on all questions concerning standardization in the electrical and electronic fields. To this end and in addition to other activities, IEC publishes International Standards, Technical Specifications, Technical Reports, Publicly Available Specifications (PAS) and Guides (hereafter referred to as "IEC Publication(s)"). Their preparation is entrusted to technical committees; any IEC National Committee interested in the subject dealt with may participate in this preparatory work. International, governmental and non-governmental organizations liaising with the IEC also participate in this preparation. IEC collaborates closely with the International Organization for Standardization (ISO) in accordance with conditions determined by agreement between the two organizations.
- 2) The formal decisions or agreements of IEC on technical matters express, as nearly as possible, an international consensus of opinion on the relevant subjects since each technical committee has representation from all interested IEC National Committees.
- 3) IEC Publications have the form of recommendations for international use and are accepted by IEC National Committees in that sense. While all reasonable efforts are made to ensure that the technical content of IEC Publications is accurate, IEC cannot be held responsible for the way in which they are used or for any misinterpretation by any end user.
- 4) In order to promote international uniformity, IEC National Committees undertake to apply IEC Publications transparently to the maximum extent possible in their national and regional publications. Any divergence between any IEC Publication and the corresponding national or regional publication shall be clearly indicated in the latter.
- 5) IEC provides no marking procedure to indicate its approval and cannot be rendered responsible for any equipment declared to be in conformity with an IEC Publication.
- 6) All users should ensure that they have the latest edition of this publication.
- 7) No liability shall attach to IEC or its directors, employees, servants or agents including individual experts and members of its technical committees and IEC National Committees for any personal injury, property damage or other damage of any nature whatsoever, whether direct or indirect, or for costs (including legal fees) and expenses arising out of the publication, use of, or reliance upon, this IEC Publication or any other IEC Publications.
- 8) Attention is drawn to the Normative references cited in this publication. Use of the referenced publications is indispensable for the correct application of this publication.
- 9) Attention is drawn to the possibility that some of the elements of this IEC Publication may be the subject of patent rights. IEC shall not be held responsible for identifying any or all such patent rights.

International Standard IEC 61000-4-8 has been prepared by subcommittee 77A: Low frequency phenomena, of IEC technical committee 77: Electromagnetic compatibility.

This second edition cancels and replaces the first edition published in 1993 and its Amendment 1 (2000). It forms a technical revision.

This edition includes the following significant technical changes with respect to the previous edition: the scope is extended in order to cover 60 Hz. Characteristics, performance and verification of the test generator and related inductive coils are revised. Modifications are also introduced in the test set-up (GRP) and test procedure.

It forms Part 4-8 of the IEC 61000 series of standards. It has the status of a basic EMC publication in accordance with IEC Guide 107.

The text of this standard is based on the following documents:

| FDIS | Report on voting |
|--------------|------------------|
| 77A/694/FDIS | 77A/706/RVD |

Full information on the voting for the approval of this standard can be found in the report on voting indicated in the above table.

This publication has been drafted in accordance with the ISO/IEC Directives, Part 2.

A list of all parts of the IEC 61000 series, under the general title *Electromagnetic compatibility*, can be found on the IEC website.

The committee has decided that the contents of this publication will remain unchanged until the maintenance result date indicated on the IEC web site under "<http://webstore.iec.ch>" in the data related to the specific publication. At this date, the publication will be

- reconfirmed,
- withdrawn,
- replaced by a revised edition, or
- amended.

INTRODUCTION

This standard is part of the IEC 61000 series of standards, according to the following structure:

Part 1: General

- General considerations (introduction, fundamental principles)
- Definitions, terminology

Part 2: Environment

- Description of the environment
- Classification of the environment
- Compatibility levels

Part 3: Limits

- Emission limits
- Immunity limits (in so far as they do not fall under the responsibility of the product committees)

Part 4: Testing and measurement techniques

- Measurement techniques
- Testing techniques

Part 5: Installation and mitigation guidelines

- Installation guidelines
- Mitigation methods and devices

Part 9: Miscellaneous

Each part is further subdivided into several parts, published either as international standards, as technical specifications or technical reports, some of which have already been published as sections. Others will be published with the part number followed by a dash and a second number identifying the subdivision (example: IEC 61000-6-1).

This part is an international standard which gives immunity requirements and test procedures related to "power frequency magnetic field".

ELECTROMAGNETIC COMPATIBILITY (EMC) –

Part 4-8: Testing and measurement techniques – Power frequency magnetic field immunity test

1 Scope

This part of IEC 61000 relates to the immunity requirements of equipment, only under operational conditions, to magnetic disturbances at power frequencies 50 Hz and 60 Hz related to:

- residential and commercial locations;
- industrial installations and power plants;
- medium voltage and high voltage sub-stations.

The applicability of this standard to equipment installed in different locations is determined by the presence of the phenomenon, as specified in Clause 4. This standard does not consider disturbances due to capacitive or inductive coupling in cables or other parts of the field installation.

Other IEC standards dealing with conducted disturbances cover these aspects.

The object of this standard is to establish a common and reproducible basis for evaluating the performance of electrical and electronic equipment for household, commercial and industrial applications when subjected to magnetic fields at power frequency (*continuous and short duration field*).

The standard defines:

- recommended test levels;
- test equipment;
- test set-up;
- test procedure.

2 Normative references

The following referenced documents are indispensable for the application of this document. For dated references, only the edition cited applies. For undated references, the latest edition of the referenced document (including any amendments) applies.

IEC 60050(161), *International Electrotechnical Vocabulary (IEV) – Chapter 161: Electro-magnetic compatibility*

3 Terms and definitions

For the purposes of this document the following terms and definitions apply to the restricted field of magnetic disturbances as well as the terms and definitions from IEC 60050(161) [IEV].

3.1

current distortion factor

ratio of the root-mean square value of the harmonics content of an alternating current to the root-mean square value of the fundamental current

3.2

EUT

equipment under test

3.3

inductive coil

conductor loop of defined shape and dimensions, in which flows a current, generating a magnetic field of defined constancy in its plane and in the enclosed volume

3.4

inductive coil factor

ratio between the magnetic field strength generated by an inductive coil of given dimensions and the corresponding current value; the field is that measured at the centre of the coil plane, without the EUT

3.5

immersion method

method of application of the magnetic field to the EUT, which is placed in the centre of an inductive coil (see Figure 1)

3.6

proximity method

method of application of the magnetic field to the EUT, where a small inductive coil is moved along the side of the EUT in order to detect particularly sensitive areas

3.7

ground (reference) plane

GRP

flat conductive surface whose potential is used as a common reference for the magnetic field generator and the auxiliary equipment (the ground plane can be used to close the loop of the inductive coil, as in Figure 5)

[IEV 161-04-36, modified]

3.8

decoupling network, back filter

electrical circuit intended to avoid reciprocal influence with other equipment not submitted to the magnetic field immunity test

4 General

The magnetic fields to which equipment is subjected may influence the reliable operation of equipment and systems.

The following tests are intended to demonstrate the immunity of equipment when subjected to power frequency magnetic fields related to the specific location and installation condition of the equipment (e.g. proximity of equipment to the disturbance source).

The power frequency magnetic field is generated by power frequency current in conductors or, more seldom, from other devices (e.g. leakage of transformers) in the proximity of equipment.

As for the influence of nearby conductors, one should differentiate between:

- the current under normal operating conditions, which produces a steady magnetic field, with a comparatively small magnitude;

- the current under fault conditions which can produce comparatively high magnetic fields but of short duration, until the protection devices operate (a few milliseconds with fuses, a few seconds for protection relays).

The test with a steady magnetic field may apply to all types of equipment intended for public or industrial low voltage distribution networks or for electrical plants.

The test with a short duration magnetic field related to fault conditions, requires test levels that differ from those for steady-state conditions; the highest values apply mainly to equipment to be installed in exposed places of electrical plants.

The test field waveform is that of power frequency.

In many cases (household areas, sub-stations and power plant under normal conditions), the magnetic field produced by harmonics is negligible.

5 Test levels

The preferential range of test levels, respectively for continuous and short duration application of the magnetic field, applicable to distribution networks at 50 Hz and 60 Hz, is given in Table 1 and Table 2.

The magnetic field strength is expressed in A/m; 1 A/m corresponds to a free space magnetic flux density of 1,26 μ T.

Table 1 – Test levels for continuous field

| Level | Magnetic field strength A/m |
|---|--------------------------------|
| 1 | 1 |
| 2 | 3 |
| 3 | 10 |
| 4 | 30 |
| 5 | 100 |
| x^a | special |
| ^a "x" can be any level, above, below or in-between the other levels. This level can be given in the product specification. | |

Table 2 – Test levels for short duration: 1 s to 3 s

| Level | Magnetic field strength A/m |
|--|--------------------------------|
| 1 | n.a. ^b |
| 2 | n.a. ^b |
| 3 | n.a. ^b |
| 4 | 300 |
| 5 | 1 000 |
| x ^a | special |
| <p>^a "x" can be any level, above, below or in-between the other levels. This level, as well the duration of the test, can be given in the product specification.</p> <p>^b "n.a." = not applicable.</p> | |

Information on the selection of the test levels is given in Annex C.

Information on actual levels is given in Annex D.

6 Test equipment

6.1 General

The test magnetic field is obtained by a current flowing in an inductive coil; the application of the test field to the EUT is by the *immersion method*.

An example of application of the immersion method is given in Figure 1.

The test equipment includes the current source (test generator), the inductive coil and auxiliary test instrumentation, that are also given in Figure 3.

6.2 Test generator

6.2.1 Current source

The current source typically consists of a voltage regulator (connected to the mains distribution network, or other sources), a current transformer and a circuit for the control of short duration application. The generator shall be able to operate in continuous mode or short duration mode.

The connection between the current transformer and the inductive coil input should be as short as possible to avoid that the currents which flow in the connection produce magnetic fields that affect the magnetic field in the test volume. Preferably the cables should be twisted together.

The characteristics and performances of the current source or test generator for the different fields and for different inductive coils considered in this standard, are given in 6.2.2.

6.2.2 Characteristics and performances of the test generator for different inductive coils

Table 3 specifies characteristics and performances of the test generator for different inductive coils.

Table 3 – Specification of the generator for different inductive coils

| | With standard square coil 1 m × 1 m 1 turn | With standard rectangular coil 1 m × 2,6 m 1 turn | With other inductive coils |
|---|---|--|--|
| Output current range for continuous operation | 1 A up to 120 A | 1 A up to 160 A | As necessary to achieve required field strength in Table 4 |
| Output current range for short duration | 320 A up to 1 200 A | 500 A up to 1 600 A | As necessary to achieve required field strength in Table 4 |
| Current/Magnetic field waveform | Sinusoidal | Sinusoidal | Sinusoidal |
| Current distortion factor | ≤8 % | ≤8 % | ≤8 % |
| Continuous mode | Up to 8 h | Up to 8 h | Up to 8 h |
| Short time operation | 1s up to 3 s | 1s up to 3 s | 1 s up to 3 s |
| Transformer output | Floating not connected to PE | Floating not connected to PE | Floating not connected to PE |

The schematic circuit of the generator is given in Figure 2.

6.2.3 Verification of the characteristics of the test generator

In order to compare the results for different test generators, the essential characteristics of the current parameters in the standard inductive coils shall be verified.

The characteristics to be verified are:

- current value in the standard inductive coils;
- field strength in all other inductive coils;
- total distortion factor in the inductive coils.

For standard inductive coils the verifications shall be carried out with a current probe and measurement instrumentation having better than $\pm 2\%$ accuracy. Figure 4 shows the verification set-up.

For all other inductive coils the verification should be carried out with field strength meter, having an $<\pm 1\text{dB}$ accuracy.

Table 4 – Verification parameter for the different inductive coils

| Table 1 Level | Current values for the 1 m × 1 m standard coil A | Current values for the 1 m × 2,6 m standard coil A | Field strength in the centre for all other inductive coils A/m |
|----------------------|---|---|---|
| 1 | 1,15 | 1,51 | 1 |
| 2 | 3,45 | 4,54 | 3 |
| 3 | 11,5 | 15,15 | 10 |
| 4 | 34,48 | 45,45 | 30 |
| 5 | 114,95 | 151,5 | 100 |

6.3 Inductive coil

6.3.1 Field distribution

For the two 1 turn standard coils $1\text{ m} \times 1\text{ m}$ and $1\text{ m} \times 2,6\text{ m}$, the field distribution is known and shown in Annex B. Therefore, no field verification or field calibration is necessary, the current measurement as shown in Figure 4 is sufficient.

Other coils such as multi-turn coils may be used in order to have a lower testing current, or for EUT not fitting into the two standard coils, inductive coils of different dimensions may be used. For these cases, the field distribution (maximum variation of $\pm 3\text{ dB}$) shall be verified.

6.3.2 Characteristics of the inductive standard coils $1\text{ m} \times 1\text{ m}$ and $1\text{ m} \times 2,6\text{ m}$

The inductance for the 1 turn standard $1\text{ m} \times 1\text{ m}$ coil is approximately $2,5\text{ }\mu\text{H}$, for the $1\text{ m} \times 2,6\text{ m}$ standard coil approximately $6\text{ }\mu\text{H}$.

The inductive coil shall be made of copper, aluminium or any conductive non-magnetic material, of such cross-section and mechanical arrangement as to facilitate its stable positioning during the tests. For continuous tests up to 100 A/m the cross section of aluminium should be $1,5\text{ cm}^2$ and for short time test up to 1 000 A/m the cross section should be 4 cm^2 .

The tolerance of the standard coils is $\pm 1\text{ cm}$, measured between the centre lines (centre of the cross section). The characteristics of inductive coils with respect to the magnetic field distribution are given in Annex B.

6.3.3 Characteristics of the inductive coils for table top and floor standing equipment

The list below gives the testing requirements for table top and floor standing equipment.

a) Inductive coil for table-top equipment

The inductive coil of standard dimensions for testing small equipment (e.g. computer monitors, watt-hour meters, transmitters for process control, etc.) has a square form with 1 m side. The test volume of the standard square coil is $0,6\text{ m} \times 0,6\text{ m} \times 0,5\text{ m}$ (height).

Any other coils can be used to obtain a field homogeneity better than 3 dB .

For example, a double coil of standard size (Helmholtz coil) could be used in order to obtain a field homogeneity better than 3 dB or for testing larger EUTs.

The double coil (Helmholtz coil) shall be comprised of two or more series of turns, properly spaced (see Figure 7, Figure B.4, Figure B.5).

The test volume of a double standard size coil, $0,8\text{ m}$ spaced, for a 3 dB homogeneity is $0,6\text{ m} \times 0,6\text{ m} \times 1\text{ m}$ (height).

For example, the Helmholtz coils, for a $0,2\text{ dB}$ inhomogeneity, have dimensions and separation distances as given in Figure 7.

No GRP is permitted as part of the coil nor on the insulating table below the EUT (see Figure 3).

b) Inductive coil for floor-standing equipment

The inductive coil of standard dimensions for testing floor standing equipment (e.g. racks, etc.) has a square form with 1 m side and $2,6\text{ m}$ height.

The test volume of the standard square coil is $0,6\text{ m} \times 2\text{ m}$ (height) $\times 0,6\text{ m}$.

When an EUT does not fit into the standard inductive coil $1\text{ m} \times 2,6\text{ m}$, the product committee should select the test method: either the proximity method with the standard $1\text{ m} \times 1\text{ m}$ 1 turn inductive coil (Figure 6 is an example) or inductive coils shall be made

according to the dimensions of the EUT and the different field orientation of the magnetic field.

Note that larger inductive coils give comparable results, but it may be not practicable to construct very large coils. In this case the proximity method may give useful but not necessarily reproducible results.

A GRP shall be present as in Figure 5.

NOTE Due to the possible large dimensions of EUTs, the coils may be made of "C" or "T" sections in order to have sufficient mechanical rigidity.

6.3.4 Measurement of the inductive coil factor

In order to make it possible to compare the test results from different test equipment, the inductive coil factor shall be measured without the EUT, in free space condition.

For the two 1 turn standard coils $1\text{ m} \times 1\text{ m}$ and $1\text{ m} \times 2,6\text{ m}$, the field distribution is known and shown in Annex B. Therefore, neither field verification nor field calibration is necessary, the current measurement, as shown in Figure 4, is sufficient.

For all other inductive coils the following procedure shall be carried out. An inductive coil of the correct dimensions for the EUT dimensions, shall be positioned at 1 m minimum distance from the wall of the laboratory and any magnetic material, by using insulating supports, and the inductive coil shall be connected to the test generator as prescribed in 6.2.

An appropriate magnetic field sensor shall be used to verify the magnetic field strength generated by the inductive coil.

The field sensor shall be positioned at the centre of the inductive coil (without the EUT) and with suitable orientation to detect the maximum value of the field.

The current in the inductive coil shall be adjusted to obtain the field strength specified by the test level.

The measurement shall be carried out at power frequency.

The measurement procedure shall be carried out with the test generator and inductive coil.

The coil factor is determined (and verified) by the above procedure.

The coil factor gives the current value to be injected in the coil to obtain the required test magnetic field (H/I) in the centre of the inductive coil.

Information on the measurement of the test magnetic field is given in Annex A.

6.4 Test and auxiliary instrumentation

6.4.1 Test instrumentation

The test instrumentation includes the current measuring system (sensors and instrument) for setting and measuring the current injected in the inductive coil.

NOTE The termination networks, back filters, etc. on power supply, control and signal lines that is part of the test set-up for other tests may be maintained.

The current measuring system is a calibrated current, measuring instrument, probe or shunt.

The accuracy of the measurement instrumentation shall be $\pm 2\%$.

6.4.2 Auxiliary instrumentation

The auxiliary instrumentation comprises a simulator and any other instrument necessary for the operation and verification of the EUT functional specifications.

7 Test set-up

7.1 Test set-up components

The test set-up comprises the following components:

- equipment under test (EUT);
- inductive coil;
- test generator;
- GRP for floor standing equipment.

Precautions shall be taken if the test magnetic field may interfere with the test instrumentation and other sensitive equipment in the vicinity of the test set-up.

Examples of test set-ups are given in the following figures:

Figure 3: example of test set-up for table-top equipment;

Figure 5: example of test set-up for floor-standing equipment.

7.2 Ground (reference) plane for floor standing equipment

The ground plane (GRP) shall be placed in the laboratory; the floor standing EUT and auxiliary test equipment shall be placed on it and connected to GRP or to earth terminal.

The ground plane shall be a non-magnetic metal sheet (copper or aluminium) of 0,25 mm minimum thickness; other metals may be used but in this case they shall have at least 0,65 mm minimum thickness.

The minimum size of the ground plane is 1 m × 1 m.

The final size depends on the dimensions of the floor standing EUT.

The ground plane shall be connected to the safety earth system of the laboratory.

7.3 Equipment under test

The equipment is configured and connected to satisfy its functional requirements. Floor standing equipment shall be placed on the GRP with the interposition of a 0,1 m thickness insulating support (e.g. dry wood). For table top equipment see Figure 3.

The equipment cabinets which can be earthed shall be connected to the safety earth directly on the GRP or via the earth terminal to PE.

The power supply, input and output circuits shall be connected to the sources of power supply, control and signal.

The cables supplied or recommended by the equipment manufacturer shall be used. In absence of any recommendation, unshielded cables shall be adopted, of a type appropriate for the signals involved. All cables shall be exposed to the magnetic field for 1 m of their length.

The back filters, if any, shall be inserted in the circuits at 1 m cable length from the EUT and connected to the ground plane.

The communication lines (data lines) shall be connected to the EUT by the cables given in the technical specification or standard for this application.

7.4 Test generator

The test generator shall not influence the magnetic field and therefore shall not be placed close to the inductive coil.

7.5 Inductive coil

The inductive coil, of the type specified in 6.3.2, shall enclose the EUT. The EUT shall be positioned inside the 3 dB test volume of the inductive coil.

Different inductive coils may be selected for testing in the different orthogonal directions, according to the general criteria specified in 6.3.3 a) and in 6.3.3 b).

The inductive coil shall be connected to the test generator in the same way as for the procedure specified in 6.3.4.

The inductive coil selected for the tests shall be specified in the test plan.

8 Test procedure

8.1 General

The test procedure shall include:

- verification of the laboratory reference conditions;
- preliminary verification of the correct operation of the equipment;
- carrying out the test;
- evaluation of the test results.

8.2 Laboratory reference conditions

8.2.1 General

In order to minimize the effect of environmental parameters on the test results, the test shall be carried out in climatic and electromagnetic reference conditions as specified in 8.2.2. and 8.2.3.

8.2.2 Climatic conditions

Unless otherwise specified by the committee responsible for the generic or product standard, the climatic conditions in the laboratory shall be within any limits specified for the operation of the EUT and the test equipment by their respective manufacturers.

Tests shall not be performed if the relative humidity is so high as to cause condensation on the EUT or the test equipment.

NOTE Where it is considered that there is sufficient evidence to demonstrate that the effects of the phenomenon covered by this standard are influenced by climatic conditions, this should be brought to the attention of the committee responsible for this standard.

8.2.3 Electromagnetic conditions

The electromagnetic conditions of the laboratory shall be such as to guarantee the correct operation of the EUT in order not to influence the test results; otherwise, the tests shall be carried out in a Faraday cage.

In particular, the power frequency magnetic field value of the laboratory shall be at least 20 dB lower than the selected test level.

8.3 Carrying out the test

Care should be taken for any person in the laboratory with respect to applicable requirements regarding human exposure. If no requirements exist on human protection, a distance of 2 m is recommended.

The test shall be carried out on the basis of a test plan including verification of the performances of the EUT as defined in the technical specification.

The power supply, signal and other functional electrical quantities shall be applied within their rated range.

If the actual operating signals are not available, they may be simulated.

Preliminary verification of equipment performances shall be carried out prior to applying the test magnetic field.

The test magnetic field shall be applied by the immersion method to the EUT, previously set up as specified in 7.3.

The test level shall not exceed the product specification.

The test field strength and the duration of the test shall be as determined by the selected test level, according to the different type of fields (continuous or short duration field) established in the test plan.

a) Table-top equipment

The equipment shall be subjected to the test magnetic field as shown in Figure 3.

The plane of the inductive coil shall then be rotated by 90° in order to expose the EUT to the test field with different orientations.

b) Floor-standing equipment

The equipment shall be subjected to the test magnetic field by using inductive coils of suitable dimensions as specified in 6.3.3 b). The test shall be repeated by moving and shifting the inductive coils, in order to test the whole volume of the EUT for each orthogonal direction (see Figure 5).

If the EUT is larger than the 3 dB test volume of the inductive coil, then the test shall be repeated with the coil moved to different positions, in steps corresponding to 50 % of the shortest side of the coil, so that the entire EUT is progressively immersed in the 3 dB test volume.

NOTE The moving of the inductive coil in steps corresponding to 50 % of the shortest side of the coil gives overlapping test fields.

The plane of the inductive coil shall then be rotated by 90° in order to expose the EUT to the test field with different orientations and the same procedure.

9 Evaluation of the test results

The test results shall be classified in terms of the loss of function or degradation of performance of the equipment under test, relative to a performance level defined by its manufacturer or the requestor of the test, or agreed between the manufacturer and the purchaser of the product. The recommended classification is as follows:

- a) normal performance within limits specified by the manufacturer, requestor or purchaser;
- b) temporary loss of function or degradation of performance which ceases after the disturbance ceases, and from which the equipment under test recovers its normal performance, without operator intervention;
- c) temporary loss of function or degradation of performance, the correction of which requires operator intervention;
- d) loss of function or degradation of performance which is not recoverable, owing to damage to hardware or software, or loss of data.

The manufacturer's specification may define effects on the EUT which may be considered insignificant, and therefore acceptable.

This classification may be used as a guide in formulating performance criteria, by committees responsible for generic, product and product-family standards, or as a framework for the agreement on performance criteria between the manufacturer and the purchaser, for example where no suitable generic, product or product-family standard exists.

10 Test report

The test report shall contain all the information necessary to reproduce the test. In particular, the following shall be recorded:

- the items specified in the test plan required by Clause 8 of this standard;
- identification of the EUT and any associated equipment, for example, brand name, product type, serial number;
- identification of the test equipment, for example, brand name, product type, serial number;
- any special environmental conditions in which the test was performed, for example, shielded enclosure;
- any specific conditions necessary to enable the test to be performed;
- performance level defined by the manufacturer, requestor or purchaser;
- performance criterion specified in the generic, product or product-family standard;
- any effects on the EUT observed during or after the application of the test disturbance, and the duration for which these effects persist;
- the rationale for the pass/fail decision (based on the performance criterion specified in the generic, product or product-family standard, or agreed between the manufacturer and the purchaser);
- any specific conditions of use, for example cable length or type, shielding or grounding, or EUT operating conditions, which are required to achieve compliance.

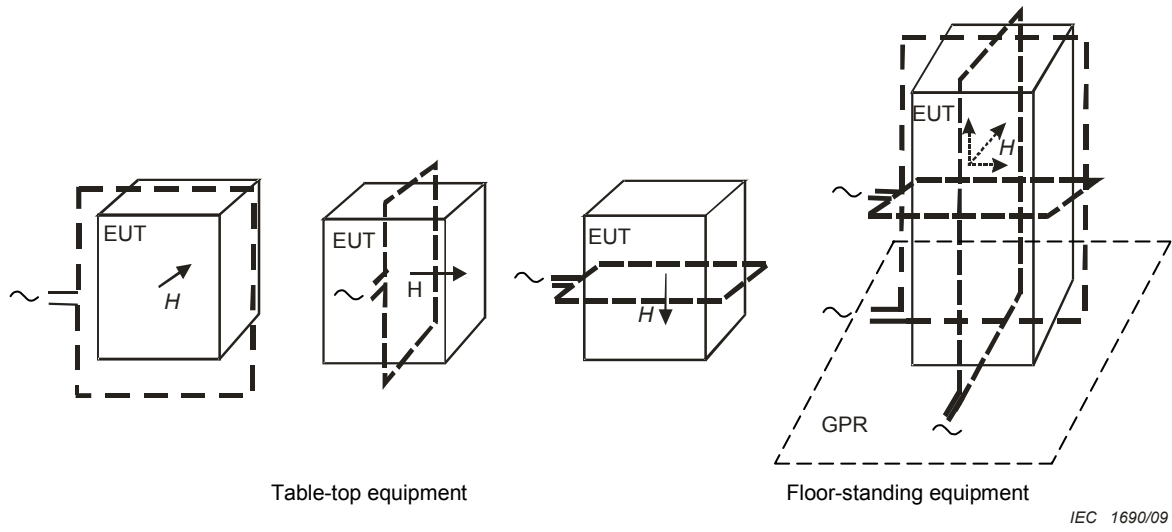
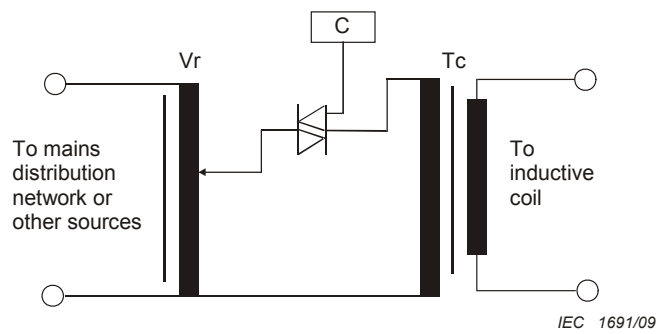


Figure 1 – Example of application of the test field by the immersion method



Components

- Vr Voltage regulator
- C Control circuit
- Tc Current transformer

Figure 2 – Example of schematic circuit of the test generator for power frequency magnetic field

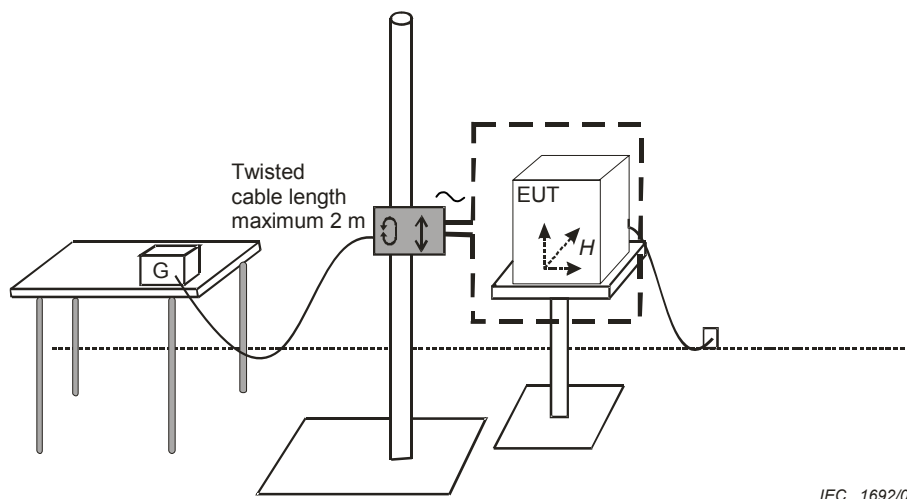


Figure 3 – Example of test set-up for table-top equipment

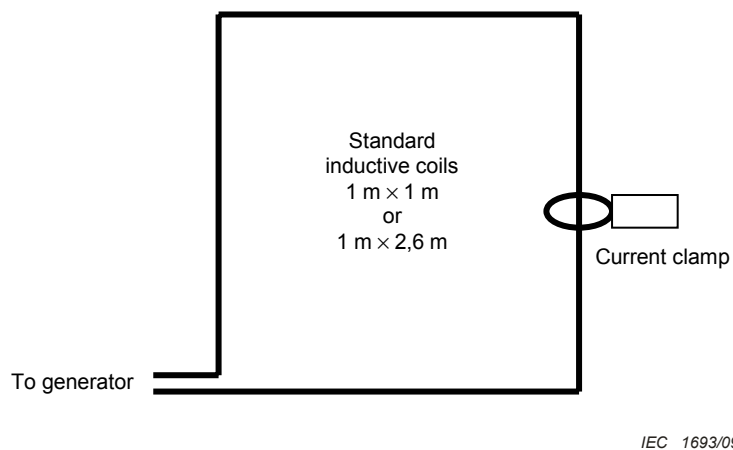
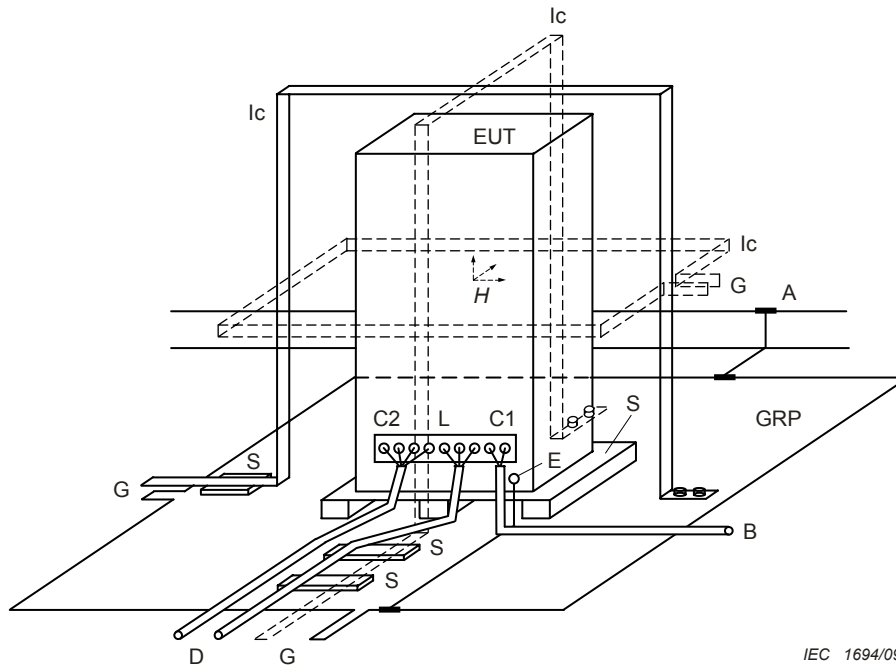


Figure 4 – Calibration of the standard coils

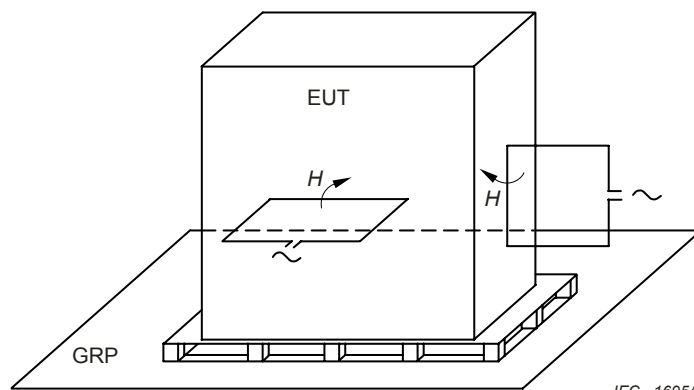


IEC 1694/09

Components

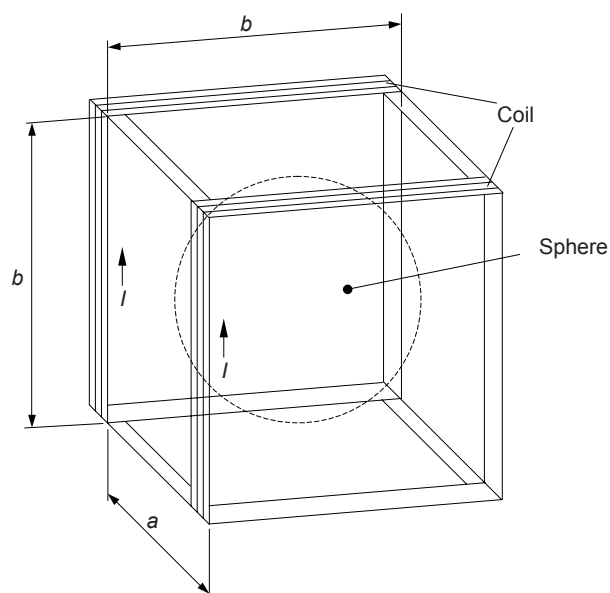
- | | |
|--------------------------|-------------------------------|
| GRP Ground plane | C1 Power supply circuit |
| A Safety earth | C2 Signal circuit |
| S Insulating support | L Communication line |
| EUT Equipment under test | B To power supply source |
| Ic Inductive coil | D To signal source, simulator |
| E Earth terminal | G To the test generator |

Figure 5 – Example of test set-up for floor-standing equipment



IEC 1695/09

Figure 6 – Example of investigation of susceptibility to magnetic field by the proximity method with the 1 m x 1 m inductive coil



IEC 1696/09

Key

| | | | |
|-----|-------------------------------|-----|----------------------------|
| n | Number of turns in each coil | a | Separation of the coils |
| b | Side of the coils (m) | I | Current value (A) |
| H | Magnetic field strength (A/m) | H | $1,22 \times n/b \times I$ |

(with $a = b/2,5$ the non-homogeneity of the magnetic field strength is $\pm 0,2$ dB)

Figure 7 – Illustration of Helmholtz coils

Annex A (normative)

Inductive coil calibration method

A.1 Magnetic field measurement

The magnetic field test is related to free space condition, without the EUT and with the coil at 1 m minimum distance from any magnetic material and the laboratory walls. The exception to this is the GRP for floor standing equipment test set-up, which is part of the coil and has to be on the floor.

The measurement of the magnetic field may be done with a measurement system comprising calibrated sensors e.g. a "Hall effect" or multi-turn loop sensor with a diameter of at least one order of magnitude smaller than the test inductive coil and a power frequency narrow band instrument.

A.2 Calibration of the inductive coil

The calibration shall be carried out by injecting the calibration current at power frequency in the inductive coil and by measuring for standard inductive coils the current and for other inductive coils the magnetic field by sensors placed at its geometrical centre.

Proper orientation of the sensor shall be selected in order to obtain the maximum value.

The "*inductive coil factor*" shall be determined for each inductive coil as the ratio "field strength/current" of injection (H/A).

The "coil factor", determined at a.c. current, is not related to the current waveform, because it is a characteristic parameter of the inductive coil; it is therefore applicable for the evaluation of magnetic fields at power frequency.

Annex B (normative)

Characteristics of the inductive coils

B.1 General

This annex considers the relevant aspects with respect to the generation of magnetic fields for immunity tests.

In the first stage, both the immersion and proximity methods were considered.

In order to know the limits of application of such methods, some questions have been emphasized.

In the following the reasons for the values are explained.

B.2 Inductive coil requirements

The requirement of the inductive coil is "*3 dB tolerance of the test field in the volume of the EUT*"; this tolerance has been considered a reasonable technical compromise in respect of a test characterized by severity levels in 10 dB steps, due to practical limits in the generation of uniform field over a wide range of volumes.

The constancy of the field is a requirement limited to a single direction, orthogonal to the coil plane. The field in different directions is obtainable in successive test steps by rotating the inductive coil.

B.3 Inductive coil characteristics

The characteristics of inductive coils of different dimensions suitable for testing *table-top equipment* or *floor-standing equipment* are given in diagrams showing:

- profile of the field generated by a square inductive coil (1 m side) in its plane (see Figure B.1);
- 3 dB area of the field generated by a square inductive coil (1 m side) in its plane (see Figure B.2);
- 3 dB area of the field generated by a square inductive coil (1 m side) in the mean orthogonal plane (component orthogonal to the plane of the coil) (see Figure B.3);
- 3 dB area of the field generated by two square inductive coils (1 m side) 0,6 m spaced, in the mean orthogonal plane (component orthogonal to the plane of the coils) (see Figure B.4);
- 3 dB area of the field generated by two square inductive coils (1 m side) 0,8 m spaced, in the mean orthogonal plane (component orthogonal to the plane of the coils) (see Figure B.5);
- 3 dB area of the field generated by a rectangular inductive coil (1 m × 2,6 m) in its plane (see Figure B.6);
- 3 dB area of the field generated by a rectangular inductive coil (1 m × 2,6 m) in its plane (ground plane as a side of the inductive coil) (see Figure B.7);
- 3 dB area of the field generated by a rectangular inductive coil (1 m × 2,6 m), with ground plane, in the mean orthogonal plane (component orthogonal to the plane of the coil) (see Figure B.8).

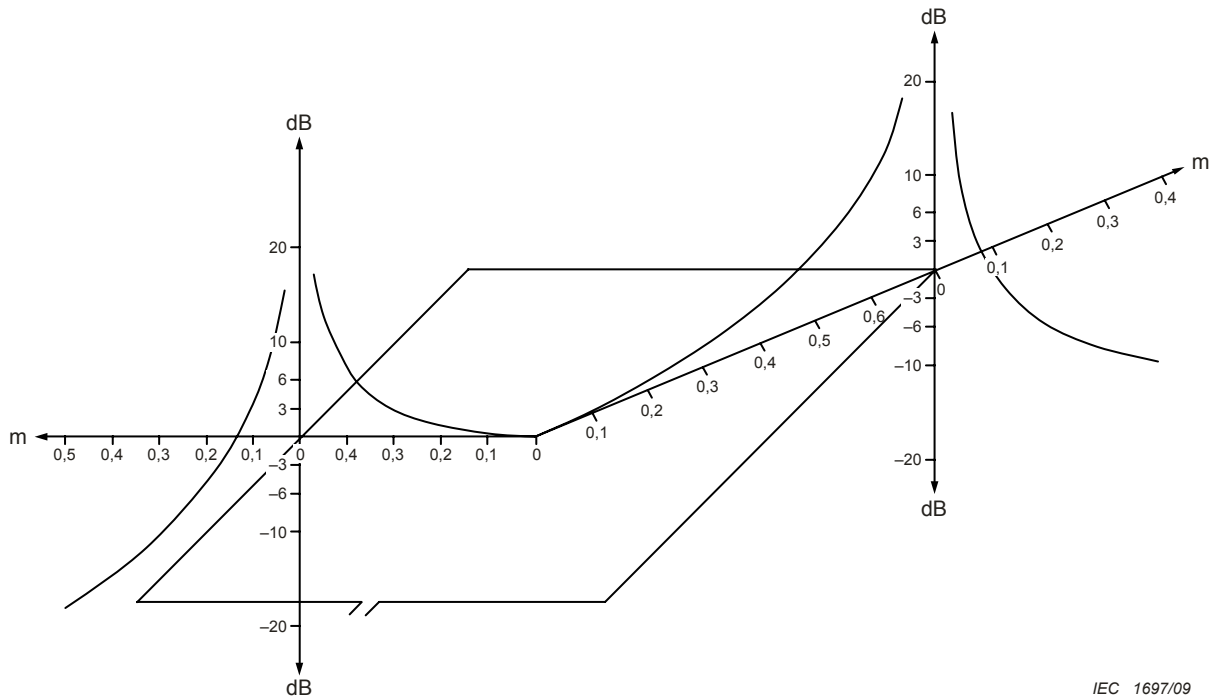
In the selection of the form, arrangement and dimensions of the test coil, the following points have been considered:

- the 3 dB area, inside and outside the inductive coil, is related to the shape and dimensions of the inductive coil;
- for a given field strength, driving current value, power and energy of the test generator are proportional to the dimensions of the inductive coil.

B.4 Summary of characteristics of inductive coils

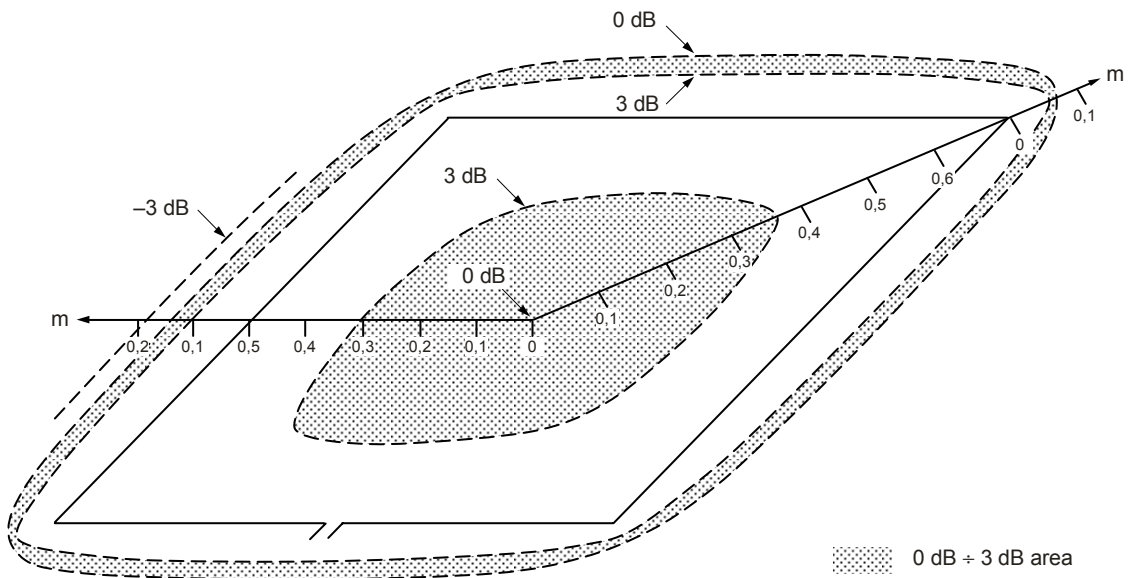
On the basis of the data on the field distribution of coils with different sizes, and in view of adopting the test method given in this standard to different classes of equipment, the conclusions that can be drawn are as follows:

- *single square coil, 1 m side*: test volume 0,6 m × 0,6 m × 0,5 m (height) (0,2 m minimum distance from EUT to the coil);
- *double square coils, 1 m side, 0,6 m spaced*: test volume 0,6 m × 0,6 m × 1 m (height) (0,2 m minimum distance from EUT to the coil); increasing of the separation of the coils up to 0,8 m extends the maximum height of testable EUT (see the 3 dB area, in the mean orthogonal plane) up to 1,2 m.
- *single rectangular coil, 1 m × 2,6 m*: test volume 0,6 m × 2 m (height) × 0,6 m (0,2 m and 0,3 m minimum distance from EUT to the coil, respectively, for the horizontal and vertical dimensions of EUT); if the inductive coil is bonded to the GRP, a 0,1 m distance from it is sufficient.



IEC 1697/09

Figure B.1 – Characteristics of the field generated by a square inductive coil (1 m side) in its plane



IEC 1698/09

Figure B.2 – 3 dB area of the field generated by a square inductive coil (1 m side) in its plane

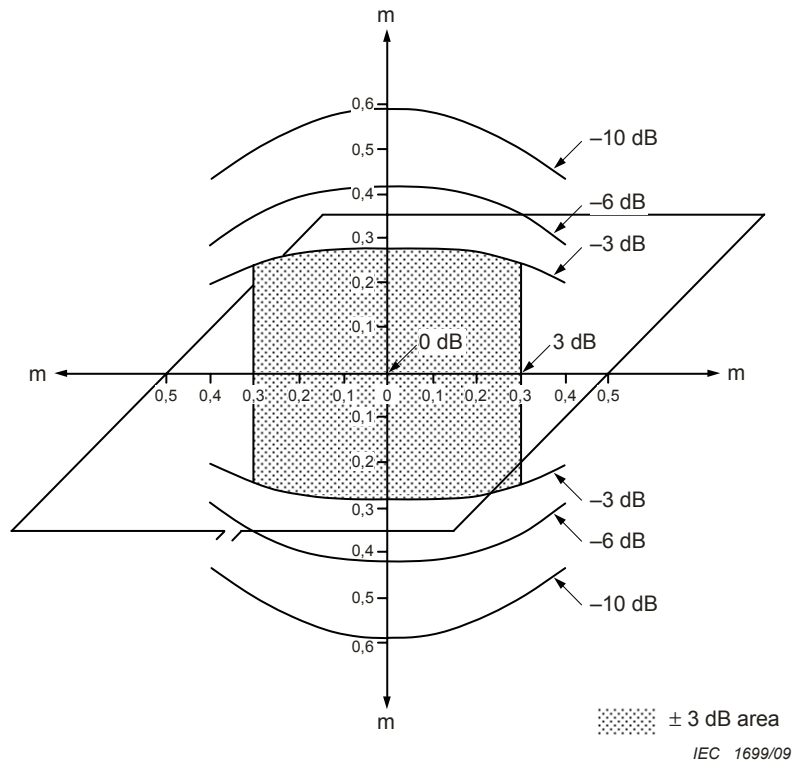


Figure B.3 – 3 dB area of the field generated by a square inductive coil (1 m side) in the mean orthogonal plane (component orthogonal to the plane of the coil)

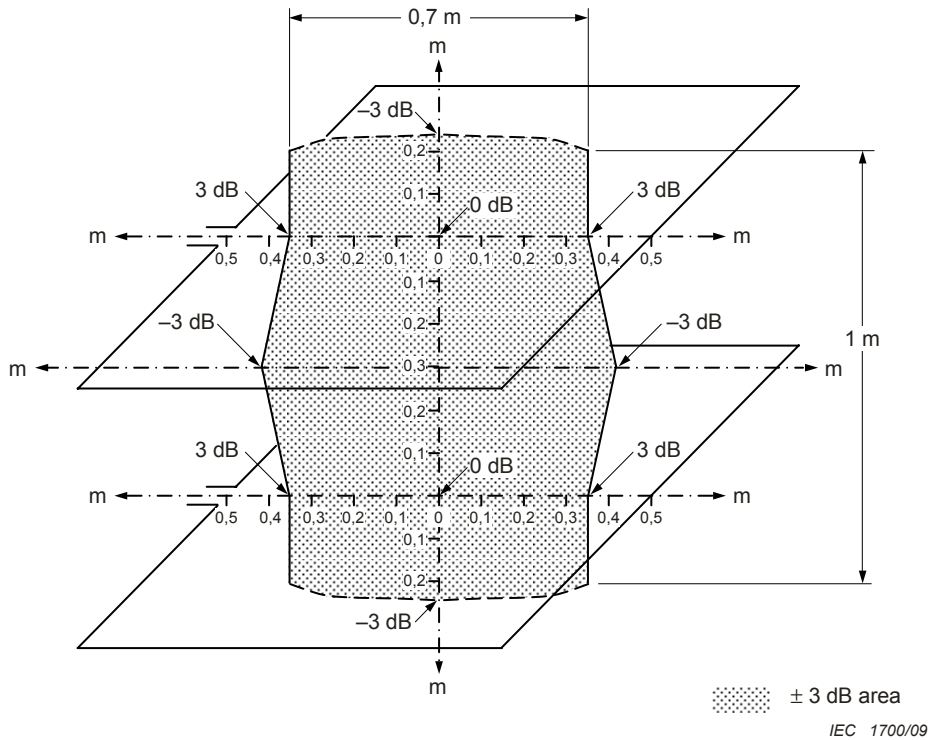


Figure B.4 – 3 dB area of the field generated by two square inductive coils (1 m side) 0,6 m spaced, in the mean orthogonal plane (component orthogonal to the plane of the coils)

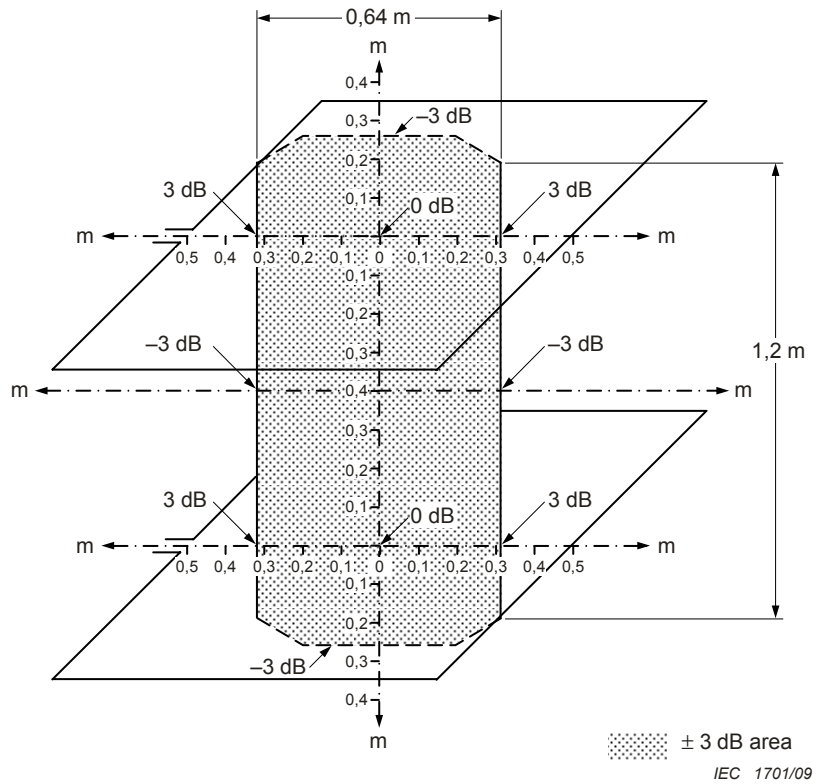


Figure B.5 – 3 dB area of the field generated by two square inductive coils (1 m side) 0,8 m spaced, in the mean orthogonal plane (component orthogonal to the plane of the coils)

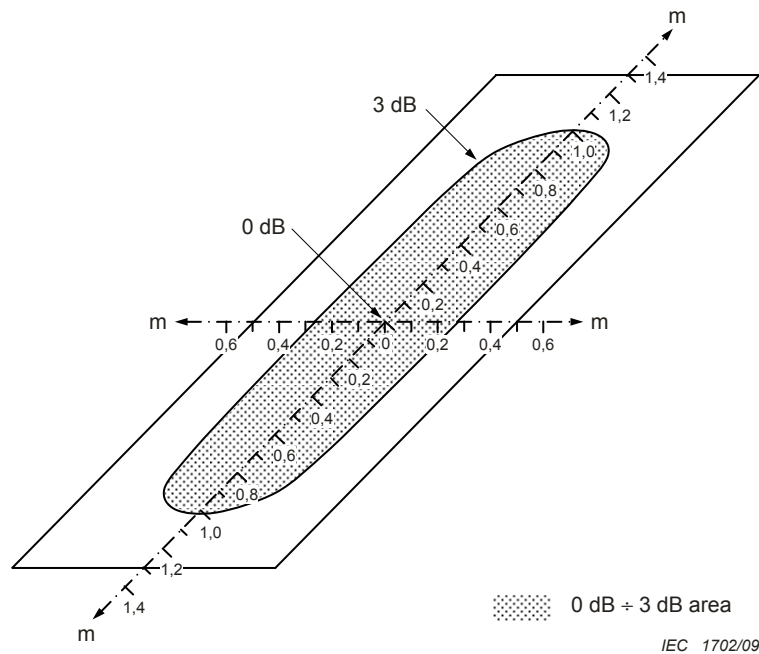


Figure B.6 – 3 dB area of the field generated by a rectangular inductive coil (1 m x 2,6 m) in its plane

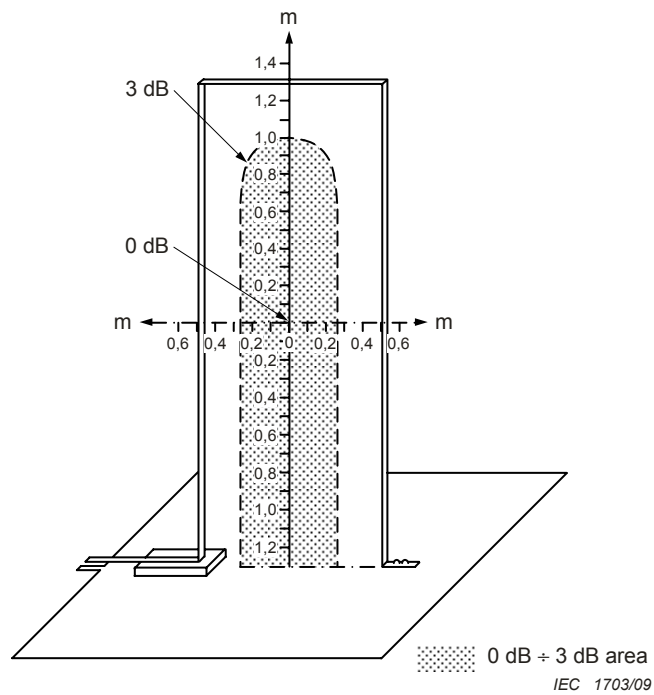


Figure B.7 – 3 dB area of the field generated by a rectangular inductive coil (1 m × 2,6 m) in its plane (ground plane as a side of the inductive coil)

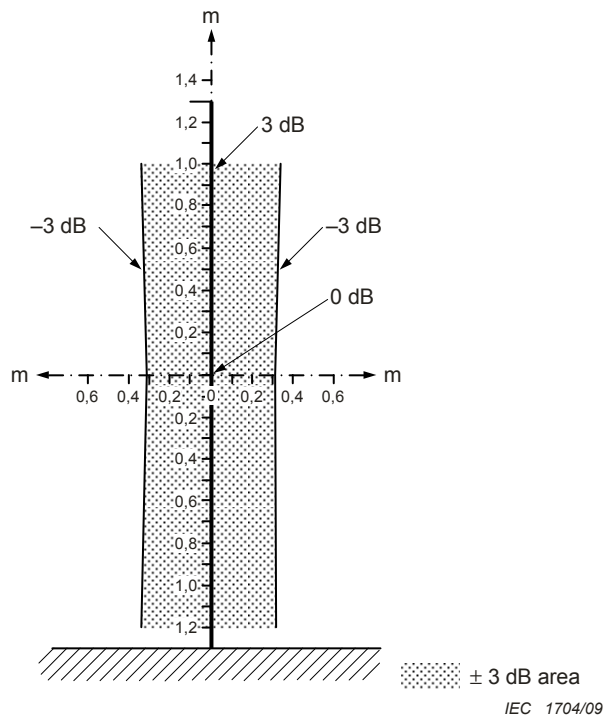


Figure B.8 – 3 dB area of the field generated by a rectangular inductive coil (1 m × 2,6 m) with ground plane, in the mean orthogonal plane (component orthogonal to the plane of the coil)

Annex C (informative)

Selection of the test levels

The test levels shall be selected in accordance with the most realistic installation and environmental conditions.

These levels are outlined in Clause 5.

The immunity tests are correlated with these levels in order to establish a performance level for the environment in which the equipment is expected to operate. A survey of power frequency magnetic field strength is given in Annex D.

The test level shall be chosen according to:

- the electromagnetic environment;
- the proximity of the disturbance sources to the equipment concerned;
- the compatibility margins.

Based on common installation practices, a guide for the selection of test levels for magnetic fields testing may be the following:

Class 1: Environmental level where sensitive device using electron beam can be used.
CRT Monitors, electron microscope, etc., are representative of these devices.

Class 2: Well protected environment

The environment is characterized by the following attributes:

- absence of electrical equipment like power transformers that may give rise to leakage fluxes;
- areas not subjected to the influence of H.V. bus-bars.

Household, office, hospital protected areas far away from earth protection conductors, areas of industrial installations and H.V. sub-stations may be representative of this environment.

Class 3: Protected environment

The environment is characterized by the following attributes:

- electrical equipment and cables that may give rise to leakage fluxes or magnetic field;
- proximity of earth conductors of protection systems;
- M.V. circuits and H.V. bus-bars far away (a few hundred metres) from equipment concerned.

Commercial areas, control building, field of not heavy industrial plants, computer room of H.V. sub-stations may be representative of this environment.

Class 4: Typical industrial environment

The environment is characterized by the following attributes:

- short branch power lines as bus-bars, etc.;
- high power electrical equipment that may give rise to leakage fluxes;
- ground conductors of protection system;
- M.V. circuits and H.V. bus-bars at relative distance (a few tens of metres) from equipment concerned.

Fields of heavy industrial and power plants and the control room of H.V. sub-stations may be representative of this environment.

Class 5: Severe industrial environment

The environment is characterized by the following attributes:

- conductors, bus-bars or M.V., H.V. lines carrying tens of kA;
- ground conductors of the protection system;
- proximity of M.V. and H.V. bus-bars;
- proximity of high power electrical equipment.

Switchyard areas of heavy industrial plants, M.V., H.V. and power stations may be representative of this environment.

Class X: Special environment

The minor or major electromagnetic separation of interference sources from equipment circuits, cables, lines etc., and the quality of the installations may require the use of a higher or lower environmental level than those described above. It should be noted that the equipment lines of a higher level can penetrate a lower severity environment.

Annex D (informative)

Information on power frequency magnetic field strength

Data on the strength of the magnetic field considered are given below. Although not exhaustive, they may give information on the field strength expected at different locations and/or situations. Product committees may take them into account in the selection of the test levels, strictly related to each specific application.

Data are limited to available bibliography and/or measurements.

a) Household appliances

A survey on the magnetic fields produced by about 100 different appliances of 25 basic types is given in Table D.1. The field strength is related to the surfaces of appliances (it is quite localized) and at greater distances. At a distance of 1 m or more it would vary from the maximum expected field at that distance by only 10 % to 20 % when measured in any direction from the appliance. Background magnetic field in the homes where appliances were measured ranged from 0,05 A/m to 0,1 A/m.

The faults in domestic low-voltage power lines gives field strength higher than specified, depending on the short-circuit current of each installation; the duration is in the order of hundreds of milliseconds, depending on the protection devices installed.

Table D.1 – Values of the maximum magnetic field produced by household appliances (results of the measurements of 100 different devices of 25 basic types)

| Distance from the surface of the device | $d = 0,3 \text{ m}$ | $d = 1,5 \text{ m}$ |
|---|---------------------|---------------------|
| 95 % of the measurements | 0,03 A/m – 10 A/m | <0,1 A/m |
| Highest measurements | 21 A/m | 0,4 A/m |

b) High voltage lines

Because the magnetic field is dependent on the line configuration, load and fault conditions, the field profile may be more significant to determine the electromagnetic environment to which equipment may be exposed.

General information on the environment produced by high voltage lines is given in IEC 61000-2-3.

The quantitative survey of the actual field measurement is given in Table D.2.

Table D.2 – Values of the magnetic field generated by a 400 kV line

| Under the line tower | Under a mid-span section | At 30 m lateral distance |
|----------------------|--------------------------|------------------------------|
| 10 A/m/kA | 16 A/m/kA | about 1/3 of previous values |

c) H.V. sub-station area

The quantitative survey of the actual field measurements related to 220 kV and 400 kV high voltage sub-stations is given in Table D.3.

Table D.3 – Values of the magnetic field in high voltage sub-station areas

| Sub-station | 220 kV | 400 kV |
|--|--|--------|
| Under the bus-bars near connection to a line carrying about 0,5 kA | 14 A/m | 9 A/m |
| In the relay room (kiosk) | Near event recorders at about 0,5 m distance: 3,3 A/m Near measurement voltage transformer: $d = 0,1$ m: 7,0 A/m $d = 0,3$ m: 1,1 A/m | |
| In the equipment room | Maximum 0,7 A/m | |

d) Power plants and industrial plants

Measurements were carried out at different areas of a power plant; most of them are comparable, for the kind of power supply lines and electrical equipment, to industrial plants.

The survey of the actual field measurement is given in Table D.4.

Table D.4 – Values of the magnetic field in power plants

| Source of magnetic field | Field (A/m) at a distance of: | | | |
|---|-------------------------------|-----------|-----------|---------|
| | 0,3 m | 0,5 m | 1 m | 1,5 m |
| Medium voltage bus-bars carrying 2,2 kA ^a | 14 – 85 | 13,5 – 71 | 8,5 – 35 | 5,7 |
| 190 MVA, MV/HV transformer, 50 % load | – | – | 6,4 | – |
| 6 kV cells ^a | 8 – 13 | 6,5 – 9 | 3,5 – 4,3 | 2 – 2,4 |
| 6 kV twisted power cables | – | 2,5 | – | – |
| 6 MVA pumps (at full load, 0,65 kA) | 26 | 15 | 7 | – |
| 600 kVA, MV/LV transformer | 14 | 9,6 | 4,4 | – |
| Control building, multipoint paper recorder | 10,7 | – | – | – |
| Control room, far away from sources | 0,9 | | | |
| ^a These ranges include the values related to the different direction of the distance and geometry of the installation. | | | | |

Bibliography

IEC 60068-1, *Environmental testing – Part 1: General and guidance*

IEC 61000-2-4, *Electromagnetic compatibility (EMC) – Part 2-4: Environment – Compatibility levels in industrial plants for low-frequency conducted disturbances*

SOMMAIRE

| | |
|---|----|
| AVANT-PROPOS..... | 36 |
| INTRODUCTION..... | 38 |
| 1 Domaine d'application | 39 |
| 2 Références normatives..... | 39 |
| 3 Termes et définitions | 39 |
| 4 Généralités..... | 40 |
| 5 Niveaux d'essais | 41 |
| 6 Matériel d'essai | 42 |
| 6.1 Général..... | 42 |
| 6.2 Générateur d'essai | 42 |
| 6.2.1 Source de courant | 42 |
| 6.2.2 Caractéristiques et performances du générateur d'essai pour différentes bobines d'induction | 43 |
| 6.2.3 Vérification des caractéristiques du générateur d'essai..... | 43 |
| 6.3 Bobine d'induction..... | 44 |
| 6.3.1 Distribution du champ..... | 44 |
| 6.3.2 Caractéristiques des bobines d'induction normalisées de 1 m × 1 m et 1 m × 2,6 m | 44 |
| 6.3.3 Caractéristiques des bobines d'inductions pour matériel de table et équipement posé au sol..... | 44 |
| 6.3.4 Mesure du facteur de bobine d'induction | 45 |
| 6.4 Instrumentation d'essai et instrumentation auxiliaire..... | 46 |
| 6.4.1 Instrumentation d'essai..... | 46 |
| 6.4.2 Instrumentation auxiliaire..... | 46 |
| 7 Installation d'essai..... | 46 |
| 7.1 Composants de l'installation d'essai..... | 46 |
| 7.2 Plan de sol pour équipement posé au sol | 46 |
| 7.3 Equipement en essai..... | 47 |
| 7.4 Générateur d'essai | 47 |
| 7.5 Bobine d'induction..... | 47 |
| 8 Procédure d'essai..... | 47 |
| 8.1 Général..... | 47 |
| 8.2 Conditions de référence du laboratoire | 48 |
| 8.2.1 Général | 48 |
| 8.2.2 Conditions climatiques..... | 48 |
| 8.2.3 Conditions électromagnétiques..... | 48 |
| 8.3 Exécution de l'essai..... | 48 |
| 9 Évaluation des résultats d'essai. | 49 |
| 10 Rapport d'essai | 49 |
| Annexe A (normative) Méthode d'étalonnage des bobines d'induction | 54 |
| Annexe B (normative) Caractéristiques des bobines d'induction..... | 55 |
| Annexe C (informative) Sélection des niveaux d'essais..... | 61 |
| Annexe D (informative) Information sur l'intensité des champs magnétiques à la fréquence du réseau | 63 |
| Bibliographie..... | 65 |

| | |
|--|----|
| Figure 1 – Exemple d'application du champ par la méthode par immersion | 50 |
| Figure 2 – Schéma du générateur d'essai produisant le champ magnétique à la fréquence du réseau | 50 |
| Figure 3 – Exemple d'installation d'essai pour matériel de table | 51 |
| Figure 4 – Étalonnage des bobines normalisées | 51 |
| Figure 5 – Exemple d'installation d'essai pour équipement posé au sol..... | 52 |
| Figure 6 – Exemple de recherche de susceptibilité aux champs magnétiques par la méthode de proximité avec une bobine d'induction de 1 m × 1 m | 52 |
| Figure 7 – Représentation des bobines de Helmholtz..... | 53 |
| Figure B.1 – Caractéristiques du champ engendré dans son plan par une spire d'induction carrée (1 m de côté)..... | 57 |
| Figure B.2 – Zones des 3 dB pour le champ engendré dans son plan par une spire d'induction carrée (1 m de côté)..... | 57 |
| Figure B.3 – Zones des 3 dB pour le champ engendré dans le plan orthogonal moyen (composante orthogonale au plan de la spire) par une spire d'induction carrée (1 m de côté) | 58 |
| Figure B.4 – Zones des 3 dB pour le champ engendré dans le plan orthogonal moyen (composante orthogonale au plan des spires) par deux spires d'induction carrées (1 m de côté) espacées de 0,6 m | 58 |
| Figure B.5 – Zones des 3 dB pour le champ engendré dans le plan orthogonal moyen (composante orthogonale au plan des spires) par deux spires d'induction carrées (1 m de côté) espacées de 0,8 m | 59 |
| Figure B.6 – Zones des 3 dB pour le champ engendré dans son plan par une spire d'induction rectangulaire (1 m × 2,6 m) | 59 |
| Figure B.7 – Zones des 3 dB pour le champ engendré dans son plan par une spire d'induction rectangulaire (1 m × 2,6 m), (le plan de sol étant considéré comme un côté de la bobine)..... | 60 |
| Figure B.8 – Zones des 3 dB pour le champ engendré dans le plan orthogonal moyen (composante orthogonale au plan de la spire) par une spire d'induction rectangulaire (1 m × 2,6 m) | 60 |
| | |
| Tableau 1 – Niveaux d'essais pour champ permanent..... | 41 |
| Tableau 2 – Niveaux d'essais de courte durée: 1 s à 3 s..... | 42 |
| Tableau 3 – Spécifications du générateur pour différentes bobines d'induction | 43 |
| Tableau 4 – Paramètre de vérification pour les différentes bobines d'induction | 44 |
| Tableau D.1 – Valeurs maximales du champ magnétique produit par les appareils ménagers (résultats de mesures réalisées sur 100 appareils de 25 types différents)..... | 63 |
| Tableau D.2 – Valeurs du champ magnétique sous les fils d'une ligne 400 kV | 63 |
| Tableau D.3 – Valeurs du champ magnétique dans les zones de postes électriques haute tension..... | 64 |
| Tableau D.4 – Valeurs du champ magnétique dans les centrales électriques | 64 |

COMMISSION ÉLECTROTECHNIQUE INTERNATIONALE

COMPATIBILITÉ ÉLECTROMAGNÉTIQUE (CEM) –

Partie 4-8: Techniques d'essai et de mesure – Essai d'immunité au champ magnétique à la fréquence du réseau

AVANT-PROPOS

- 1) La Commission Electrotechnique Internationale (CEI) est une organisation mondiale de normalisation composée de l'ensemble des comités électrotechniques nationaux (Comités nationaux de la CEI). La CEI a pour objet de favoriser la coopération internationale pour toutes les questions de normalisation dans les domaines de l'électricité et de l'électronique. A cet effet, la CEI – entre autres activités – publie des Normes internationales, des Spécifications techniques, des Rapports techniques, des Spécifications accessibles au public (PAS) et des Guides (ci-après dénommés "Publication(s) de la CEI"). Leur élaboration est confiée à des comités d'études, aux travaux desquels tout Comité national intéressé par le sujet traité peut participer. Les organisations internationales, gouvernementales et non gouvernementales, en liaison avec la CEI, participent également aux travaux. La CEI collabore étroitement avec l'Organisation Internationale de Normalisation (ISO), selon des conditions fixées par accord entre les deux organisations.
- 2) Les décisions ou accords officiels de la CEI concernant les questions techniques représentent, dans la mesure du possible, un accord international sur les sujets étudiés, étant donné que les Comités nationaux de la CEI intéressés sont représentés dans chaque comité d'études.
- 3) Les Publications de la CEI se présentent sous la forme de recommandations internationales et sont agréées comme telles par les Comités nationaux de la CEI. Tous les efforts raisonnables sont entrepris afin que la CEI s'assure de l'exactitude du contenu technique de ses publications; la CEI ne peut pas être tenue responsable de l'éventuelle mauvaise utilisation ou interprétation qui en est faite par un quelconque utilisateur final.
- 4) Dans le but d'encourager l'uniformité internationale, les Comités nationaux de la CEI s'engagent, dans toute la mesure possible, à appliquer de façon transparente les Publications de la CEI dans leurs publications nationales et régionales. Toutes divergences entre toutes Publications de la CEI et toutes publications nationales ou régionales correspondantes doivent être indiquées en termes clairs dans ces dernières.
- 5) La CEI n'a prévu aucune procédure de marquage valant indication d'approbation et n'engage pas sa responsabilité pour les équipements déclarés conformes à une de ses Publications.
- 6) Tous les utilisateurs doivent s'assurer qu'ils sont en possession de la dernière édition de cette publication.
- 7) Aucune responsabilité ne doit être imputée à la CEI, à ses administrateurs, employés, auxiliaires ou mandataires, y compris ses experts particuliers et les membres de ses comités d'études et des Comités nationaux de la CEI, pour tout préjudice causé en cas de dommages corporels et matériels, ou de tout autre dommage de quelque nature que ce soit, directe ou indirecte, ou pour supporter les coûts (y compris les frais de justice) et les dépenses découlant de la publication ou de l'utilisation de cette Publication de la CEI ou de toute autre Publication de la CEI, ou au crédit qui lui est accordé.
- 8) L'attention est attirée sur les références normatives citées dans cette publication. L'utilisation de publications référencées est obligatoire pour une application correcte de la présente publication.
- 9) L'attention est attirée sur le fait que certains des éléments de la présente Publication de la CEI peuvent faire l'objet de droits de propriété intellectuelle ou de droits analogues. La CEI ne saurait être tenue pour responsable de ne pas avoir identifié de tels droits de propriété et de ne pas avoir signalé leur existence.

La Norme internationale CEI 61000-4-8 a été établie par le sous-comité 77 A: Phénomènes basse fréquence, du comité d'études 77 de la CEI: Compatibilité électromagnétique.

Cette deuxième édition annule et remplace la première édition publiée en 1993 et son amendement 1 (2000). Elle constitue une révision technique.

La présente édition inclut les modifications techniques majeures suivantes par rapport à la première édition: le domaine d'application est étendu de façon à couvrir le 60 Hz. Les caractéristiques, les performances et la vérification du générateur d'essai et de la bobine d'induction associée sont révisées. Des modifications sont aussi introduites dans l'installation d'essai (PS) et dans la procédure d'essai.

Elle constitue la partie 4-8 de la série de normes CEI 61000. Elle a le statut de publication fondamentale en CEM en accord avec le Guide 107 de la CEI.

Le texte de cette norme est issu des documents suivants:

| FDIS | Rapport de vote |
|--------------|-----------------|
| 77A/694/FDIS | 77A/706/RVD |

Le rapport de vote indiqué dans le tableau ci-dessus donne toute information sur le vote ayant abouti à l'approbation de cette norme.

Une liste de toutes les parties de la série CEI 61000, présentées sous le titre général *Compatibilité électromagnétique (CEM)*, peut être consultée sur le site web de la CEI.

Cette publication a été rédigée selon les Directives ISO/CEI, Partie 2.

Le comité a décidé que le contenu de cette publication ne sera pas modifié avant la date de maintenance indiquée sur le site web de la CEI sous "<http://webstore.iec.ch>" dans les données relatives à la publication recherchée. A cette date, la publication sera

- reconduite,
- supprimée,
- remplacée par une édition révisée, ou
- amendée.

INTRODUCTION

La présente norme fait partie de la série des normes 61000 de la CEI, selon la répartition suivante:

Partie 1 Généralités

Considérations générales (introduction, principes fondamentaux)

Définitions, terminologie

Partie 2: Environnement

Description de l'environnement

Classification de l'environnement

Niveaux de compatibilité

Partie 3: Limites

Limites d'émission

Limites d'immunité (dans la mesure où elles ne relèvent pas des comités de produit)

Partie 4: Techniques d'essai et de mesure

Techniques de mesure

Techniques d'essai

Partie 5: Guide d'installation et d'atténuation

Guide d'installation

Méthodes et dispositifs d'atténuation

Partie 9: Divers

Chaque partie est à son tour subdivisée en plusieurs parties, publiées soit comme normes internationales, soit comme spécifications techniques ou rapports techniques. Certaines d'entre elles ont déjà été publiées en tant que sections. D'autres seront publiées avec le numéro de partie suivi d'un tiret ainsi que d'un second numéro identifiant la sous-partie (par exemple: CEI 61000-6-1).

La présente partie constitue une norme internationale qui traite des exigences en matière d'immunité et des procédures d'essai qui s'appliquent au « Champ magnétique à la fréquence du réseau ».

COMPATIBILITÉ ÉLECTROMAGNÉTIQUE (CEM) –

Partie 4-8: Techniques d'essai et de mesure – Essai d'immunité au champ magnétique à la fréquence du réseau

1 Domaine d'application

La présente partie de la CEI 61000 traite des exigences en matière d'immunité des matériels, uniquement dans les conditions d'utilisation, contre les perturbations magnétiques à des fréquences de 50 Hz et 60 Hz relatives aux:

- locaux résidentiels et commerciaux;
- installations industrielles et centrales électriques;
- postes moyenne et haute tension.

Les conditions d'application de la présente norme aux matériels installés dans les différents secteurs sont déterminées par la présence du phénomène dans les conditions spécifiées dans l'Article 4. La présente norme ne traite pas des perturbations engendrées par le couplage capacitif ou inductif sur les câbles ou autres parties de l'installation.

D'autres normes CEI traitant des perturbations conduites couvrent ces aspects.

La présente norme a pour objet d'établir une base commune et reproductible pour évaluer la performance des matériels électriques et électroniques à vocation domestique, commerciale ou industrielle lorsqu'ils sont soumis à des champs magnétiques à la fréquence du réseau (*champs permanents et courte durée*).

La présente norme définit:

- les niveaux recommandés d'essai;
- le matériel d'essai;
- l'installation d'essai;
- la procédure d'essai.

2 Références normatives

Les documents de référence suivants sont indispensables pour l'application du présent document. Pour les références datées, seule l'édition citée s'applique. Pour les références non datées, la dernière édition du document de référence s'applique (y compris les éventuels amendements).

CEI 60050(161), *Vocabulaire électrotechnique international – Chapitre 161: Compatibilité électromagnétique*

3 Termes et définitions

Pour les besoins du présent document les termes et définitions suivants s'appliquent – uniquement au domaine des perturbations magnétiques – ainsi que les termes et définitions de la CEI 60050(161) [VEI].

3.1

facteur de distorsion du courant

rapport de la valeur de la racine carrée des composantes harmoniques d'un courant alternatif sur la valeur de la racine carré du courant fondamental

3.2

EST

équipement en essai

3.3

bobine d'induction

boucle d'induction de forme et de dimensions définies dans laquelle un courant circule, en engendrant un champ magnétique d'un niveau constant défini dans son plan et dans le volume contenu

3.4

facteur de bobine d'induction

rapport entre l'intensité du champ magnétique engendré par une spire d'induction de dimensions données et la valeur du courant correspondant; le champ est mesuré au centre du plan de la spire, sans tenir compte de l'EST

3.5

méthode par immersion

méthode d'application du champ magnétique à l'EST, placé au centre de la spire d'induction (voir Figure 1)

3.6

méthode de proximité

méthode d'application du champ magnétique à l'EST, là où une bobine de faible induction est déplacée le long du côté de l'EST de manière à détecter des zones particulièrement sensibles

3.7

plan de sol

PS

surface conductrice plane dont le potentiel est pris comme référence pour le générateur de champ magnétique et le matériel auxiliaire. (Le plan de sol peut être utilisé pour fermer la boucle de la spire d'induction, voir Figure 5)

[VEI 161-04-36, modifié]

3.8

réseau de découplage, filtre anti-retour

circuit électrique destiné à éviter toute interaction avec un autre matériel non soumis aux essais de l'immunité de champ magnétique

4 Généralités

Le champ magnétique auquel est soumis le matériel peut influencer le bon fonctionnement de celui-ci et des ensembles qui y sont reliés.

Les essais dont il est fait état dans ce document ont pour objet de démontrer l'immunité du matériel lorsqu'il est soumis au champ magnétique, à la fréquence du réseau qui s'applique à l'emplacement spécifique et aux conditions d'installation de l'équipement (par exemple, matériel situé à proximité de la source de perturbation).

Le champ magnétique à la fréquence du réseau est engendré par un courant à la fréquence du réseau dans des fils ou, plus rarement, par d'autres appareils (par exemple, fuites de transformateurs) situés à proximité du matériel.

En ce qui concerne les fils proches, il convient de distinguer deux types de courant:

- le courant dans des conditions de fonctionnement normales qui produit un champ magnétique stable d'une amplitude relativement faible;
- le courant dans des conditions de défaut qui peut produire des champs magnétiques relativement élevés, mais de courte durée, jusqu'à ce que les dispositifs de protection fonctionnent (quelques millisecondes pour des fusibles, quelques secondes pour des relais de protection).

L'essai à champ magnétique constant peut s'appliquer à tous les types de matériels destinés aux réseaux de distribution basse tension publics ou industriels ou aux centrales électriques.

L'essai à champ magnétique de faible durée provoqué par des défauts nécessite des niveaux différents de ceux des essais avec un champ constant; les valeurs les plus élevées s'appliquent principalement aux matériels installés dans les endroits particulièrement exposés des centrales électriques.

La forme d'onde du champ est celle de la fréquence du réseau.

Dans la plupart des cas (zones résidentielles, postes et centrales électriques dans des conditions de fonctionnement normales), les champs magnétiques engendrés par les harmoniques sont négligeables.

5 Niveaux d'essais

La gamme préférentielle des niveaux d'essais, pour l'application des champs magnétiques permanents et des champs magnétiques de courte durée, applicable aux réseaux de distribution 50 Hz et 60 Hz est indiquée dans les Tableaux 1 et 2.

L'intensité du champ magnétique est exprimée en A/m; 1 A/m correspond à une induction magnétique en espace libre de 1,26 μ T.

Tableau 1 – Niveaux d'essais pour champ permanent

| Niveau | Intensité des champs magnétiques A/m |
|--------|---|
| 1 | 1 |
| 2 | 3 |
| 3 | 10 |
| 4 | 30 |
| 5 | 100 |
| x^a | spécial |

^a « x » peut se situer à n'importe quel niveau, au-dessus, au-dessous ou entre les autres niveaux. Ce niveau peut être donné dans la spécification produit.

Tableau 2 – Niveaux d'essais de courte durée: 1 s à 3 s

| Niveau | Intensité des champs magnétiques A/m |
|----------------|---|
| 1 | n.a. ^b |
| 2 | n.a. ^b |
| 3 | n.a. ^b |
| 4 | 300 |
| 5 | 1 000 |
| x ^a | spécial |

^a « x » peut se situer à n'importe quel niveau, au-dessus, au-dessous ou entre les autres niveaux. Ce niveau, ainsi que la durée d'essai du champ de courte durée, peuvent être donnés dans la spécification de produit.

^b « n.a. » = non applicable.

Les informations concernant la sélection des niveaux d'essais sont données dans l'Annexe C.

Les informations concernant les niveaux réels sont données dans l'Annexe D.

6 Matériel d'essai

6.1 Généralités

Le champ magnétique est obtenu par la circulation d'un courant dans une bobine d'induction. Le champ d'essai est appliqué à l'EST par la *méthode par immersion*.

Un exemple d'application de la méthode par immersion est donné à la Figure 1.

Le matériel d'essai comprend la source de courant (générateur d'essai), la bobine d'induction et l'instrumentation d'essai auxiliaire qui sont également donnés à la Figure 3.

6.2 Générateur d'essai

6.2.1 Source de courant

La source de courant est généralement constituée d'un régulateur de tension (connecté au réseau d'alimentation ou à d'autres sources), d'un transformateur d'intensité et d'un circuit pour la commande des applications de courte durée. Le générateur doit être capable de fonctionner en mode permanent ou en mode de courte durée.

Il convient d'établir une connexion entre le transformateur d'intensité et l'entrée de la bobine d'induction aussi courte que possible afin d'éviter que les sources de courants circulant dans la connexion ne génèrent des champs magnétiques qui nuisent au champ magnétique dans le volume d'essai. Dans l'idéal, il convient de tordre les câbles ensemble.

Les caractéristiques et les performances des sources de courant ou du générateur d'essai pour les différents champs ainsi que les bobines d'induction étudiées dans la présente norme sont indiquées en 6.2.2.

6.2.2 Caractéristiques et performances du générateur d'essai pour différentes bobines d'induction

Le Tableau 3 spécifie les caractéristiques et performances du générateur d'essai pour différentes bobines d'induction.

Tableau 3 – Spécifications du générateur pour différentes bobines d'induction

| | Avec bobine carrée normalisée, d'une spire de 1 m × 1 m | Avec bobine rectangulaire normalisée, d'une spire de 1 m × 2,6 m | Avec d'autres bobines d'induction |
|--|---|--|---|
| Gamme d'intensité de sortie pour le fonctionnement permanent | Comprise entre 1 A et 120 A | Comprise entre 1 A et 160 A | Selon les conditions requises pour assurer l'intensité du champ magnétique du Tableau 4 |
| Gamme d'intensité de sortie pour le fonctionnement de courte durée | Comprise entre 320 A et 1 200 A | Comprise entre 500 A et 1 600 A | Selon les conditions requises pour assurer l'intensité du champ magnétique du Tableau 4 |
| Forme d'onde du champ magnétique/du courant | Sinusoïdale | Sinusoïdale | Sinusoïdale |
| Facteur de distorsion du courant | ≤8 % | ≤8 % | ≤8 % |
| Mode permanent | Jusqu'à 8 h | Jusqu'à 8 h | Jusqu'à 8 h |
| Fonctionnement de courte durée | Compris entre 1 s et 3 s | Compris entre 1 s et 3 s | Compris entre 1 s et 3 s |
| Sortie de transformateur | Flottement non connecté à PE | Flottement non connecté à PE | Flottement non connecté à PE |

Le schéma du générateur est donné à la Figure 2.

6.2.3 Vérification des caractéristiques du générateur d'essai

Pour comparer les résultats obtenus avec les différents générateurs d'essai, les caractéristiques essentielles des paramètres du courant dans les bobines d'induction normalisées doivent être vérifiées.

Les caractéristiques à vérifier sont les suivantes:

- valeur du courant dans les bobines d'induction normalisées
- intensité du champ dans toutes les autres bobines d'induction
- facteur total de distorsion parmi les bobines d'induction

Les vérifications des bobines d'induction normalisées doivent être effectuées avec une pince ampèremétrique et une instrumentation de mesure d'une précision meilleure que $\pm 2\%$. La Figure 4 montre l'installation de vérification.

Il convient de vérifier toutes les autres bobines d'induction à l'aide d'un mesureur de champ d'une précision de $< \pm 1$ dB.

Tableau 4 – Paramètre de vérification pour les différentes bobines d'induction

| Niveau du Tableau 1 | Valeurs du courant pour la bobine normalisée de 1 m × 1 m A | Valeurs du courant pour la bobine normalisée de 1 m × 2,6 m A | Intensité du champ au centre pour toutes les autres bobines d'induction A/m |
|---------------------|--|--|--|
| 1 | 1,15 | 1,51 | 1 |
| 2 | 3,45 | 4,54 | 3 |
| 3 | 11,5 | 15,15 | 10 |
| 4 | 34,48 | 45,45 | 30 |
| 5 | 114,95 | 151,5 | 100 |

6.3 Bobine d'induction

6.3.1 Distribution du champ

En ce qui concerne les deux bobines monopires normalisées de 1 m × 1 m et de 1 m × 2,6 m, la distribution du champ est connue et montrée en Annexe B. Par conséquent, ni vérification, ni étalonnage du champ ne sont requis et la mesure du courant montrée à la Figure 4 est suffisante.

On peut utiliser d'autres bobines telles que les bobines multispire de manière à obtenir une intensité de courant d'essai inférieure. Si l'EST n'est pas compatible avec les deux bobines normalisées, des bobines d'induction de dimensions différentes peuvent être employées. Dans ce cas, la distribution du champ (variation maximale de ±3 dB) doit être vérifiée.

6.3.2 Caractéristiques des bobines d'induction normalisées de 1 m × 1 m et 1 m × 2,6 m

L'inductance pour la bobine monopire normalisée de 1 m × 1 m est d'environ 2,5 µH, et d'environ 6 µH pour la bobine normalisée de 1 m × 2,6 m.

La bobine d'induction doit être faite de cuivre, d'aluminium ou de tout autre matériau conducteur non magnétique; sa section et sa conception doivent permettre de lui donner une position stable pendant les essais. Pour les essais permanents jusqu'à 100 A/m, il convient que la section d'aluminium soit de 1,5 cm² et pour les essais de courte durée jusqu'à 1 000 A/m, il convient que la section soit de 4 cm².

La tolérance des bobines normalisées est de ±1 cm, mesurée entre les lignes centrales (centre de la section). Les caractéristiques des bobines d'induction en termes de distribution du champ magnétique sont données dans l'Annexe B.

6.3.3 Caractéristiques des bobines d'inductions pour matériel de table et équipement posé au sol

a) Bobine d'induction pour matériel de table

La bobine d'induction de dimensions normalisées, destinée aux essais des petits matériels (par exemple terminaux, wattheuremètres, transmetteurs pour commande de processus, etc.), est de forme carrée de 1 m de côté. Le volume d'essai d'une bobine carrée normalisée est de 0,6 m × 0,6 m × 0,5 m (hauteur).

Toute autre bobine peut être utilisée pour obtenir un champ homogène à 3 dB.

On peut utiliser une bobine double de taille normalisée (bobine de Helmholtz) pour obtenir un champ homogène à 3 dB ou pour réaliser les essais sur des EST de plus grand volume.

La bobine double (bobine de Helmholtz) doit être composée de deux ou plusieurs séries de spires, convenablement espacées (voir Figure 7, Figure B.4, Figure B.5).

Le volume d'essai d'une bobine double normalisée à espacement de 0,8 m, pour une homogénéité de 3 dB, est de 0,6 m × 0,6 m × 1 m (hauteur).

Par exemple, pour une non homogénéité de 0,2 dB, les bobines de Helmholtz ont les dimensions et la distance de séparation indiquées à la Figure 7.

Aucun PS ne doit faire partie de la bobine ni de la table isolante sous l'EST (voir Figure 3).

b) *Bobine d'induction pour équipement posé au sol*

La bobine d'induction de dimensions normalisées, destinée aux essais des équipements posés au sol (par exemple étagères, etc.), est de forme carrée de 1 m de côté et de 2,6 m de hauteur.

Le volume d'essai d'une bobine carrée normalisée est de 0,6 m × 2 m (hauteur) × 0,6 m.

Il convient que le comité produit choisisse la méthode d'essai lorsqu'un EST n'est pas compatible avec la bobine d'induction normalisée de 1 m × 2,6 m: soit la méthode de proximité avec la bobine d'induction monospire normalisée de 1 m × 1 m (la Figure 6 est un exemple), soit les bobines d'induction doivent être conçues selon les dimensions de l'EST et selon les différentes orientations du champ magnétique.

Noter que des bobines d'inductions plus grandes donneront des résultats comparables, cependant il peut s'avérer impossible de construire des bobines très grandes. Dans ce cas, la méthode de proximité est susceptible d'offrir des résultats utiles mais pas nécessairement reproductibles.

Un PS doit être présent comme dans la Figure 5.

NOTE Les dimensions de l'EST pouvant être grandes, la bobine peut être constituée d'une section en «C» ou en «T» pour assurer une rigidité mécanique suffisante.

6.3.4 Mesure du facteur de bobine d'induction

Pour permettre la comparaison des résultats obtenus avec différents matériels d'essai, le facteur de bobine d'induction doit être mesuré sans l'EST, dans un espace vide.

En ce qui concerne les deux bobines monospires normalisées de 1 m × 1 m et de 1 m × 2,6 m, la distribution du champ est connue et montrée en Annexe B. Par conséquent, ni vérification, ni étalonnage du champ ne sont requis et la mesure du courant démontrée à la Figure 4 est suffisante.

Pour toutes les autres bobines d'induction, la procédure suivante doit être appliquée. Une bobine d'induction, dont les dimensions doivent être compatibles avec celles de l'EST, doit être disposée à 1 m au moins de la paroi du laboratoire et de tout matériel magnétique. Il faut pour cela la placer sur des supports isolants et la relier au générateur d'essai comme indiqué en 6.2.

Des capteurs de champ magnétique appropriés doivent être utilisés pour vérifier l'intensité du champ magnétique engendrée par la bobine d'induction.

Le capteur de champ doit être placé au centre de la bobine d'induction (sans EST) et orienté de manière à détecter la valeur maximale du champ.

Le courant dans la bobine d'induction doit être réglé de manière à obtenir une intensité de champ conforme au niveau d'essai.

La mesure doit être effectuée à la fréquence du réseau.

La procédure de mesure doit être appliquée avec le générateur d'essai et la bobine d'induction.

Le facteur de bobine est déterminé (et vérifié) à l'aide de la procédure ci-dessus.

Le facteur de bobine donne la valeur du courant à injecter dans la bobine pour obtenir le champ magnétique d'essai requis (H/I) au centre de la bobine d'induction.

Les informations sur la mesure des champs magnétiques sont données dans l'Annexe A.

6.4 Instrumentation d'essai et instrumentation auxiliaire

6.4.1 Instrumentation d'essai

L'instrumentation d'essai comprend le système de mesure de courant (capteurs et instrumentation) pour déterminer et mesurer le courant injecté dans la bobine d'induction.

NOTE Les réseaux d'extrémité, filtres anti-retour, etc. pour l'alimentation, les lignes de commande et de signaux, qui font partie de l'installation d'essai pour d'autres essais, peuvent être conservés.

Le système de mesure de courant est un instrument de mesure étalonné, sonde de courant ou shunt.

La précision de l'instrumentation de mesure doit être de $\pm 2\%$.

6.4.2 Instrumentation auxiliaire

L'instrumentation auxiliaire peut être un simulateur et tout instrument nécessaire au fonctionnement et à la vérification des caractéristiques fonctionnelles de l'EST.

7 Installation d'essai

7.1 Composants de l'installation d'essai

L'installation d'essai comprend les éléments suivants:

- équipement à l'essai (EST);
- bobine d'induction;
- générateur d'essai;
- PS pour l'équipement posé au sol.

Des précautions doivent être prises si le champ magnétique d'essai interfère sur les instruments d'essai ou sur d'autres matériels sensibles situés à proximité de l'installation d'essai.

Des exemples d'installation d'essai sont donnés dans les figures suivantes:

Figure 3: exemple d'installation d'essai de matériel de table.

Figure 5: exemple d'installation d'essai de matériel posé au sol.

7.2 Plan de sol pour équipement posé au sol

Le plan de sol (PS) doit être placé dans le laboratoire; l'EST posé au sol et l'instrumentation d'essai auxiliaire doivent être placés sur ce plan et connectés à celui-ci ou à la borne de terre.

Le plan de sol doit être une feuille métallique non magnétique (cuivre ou aluminium) de 0,25 mm d'épaisseur au minimum; d'autres métaux peuvent être utilisés, mais dans ce cas, la plaque doit avoir une épaisseur d'au moins 0,65 mm.

La taille minimale du plan de sol doit être de 1 m \times 1 m.

Sa taille effective dépend des dimensions de l'EST posé au sol.

Le plan de sol doit être connecté au système de mise à la terre de sécurité du laboratoire.

7.3 Equipement en essai

L'équipement est disposé et connecté de manière à répondre à ses exigences fonctionnelles. L'équipement posé au sol doit être placé sur le plan de sol dont il convient cependant de le séparer par un support isolant de 0,1 m (bois sec, par exemple). Pour le matériel de table, voir la Figure 3.

Les armoires contenant l'équipement qui peuvent être mises à la terre doivent être connectées au réseau de terre de sécurité directement sur le plan du sol ou par l'intermédiaire de la borne de terre du PE.

L'alimentation et les circuits d'entrée et de sortie doivent être connectés au bloc d'alimentation, de commande et de signaux.

Les câbles qui doivent être utilisés sont ceux fournis ou recommandés par le fabricant. A défaut, on doit utiliser des câbles non blindés d'un type compatible avec les signaux transportés. Ces câbles doivent être soumis au champ magnétique sur 1 m de leur longueur.

Les filtres anti-retour éventuels doivent être insérés dans les circuits à 1 m de l'EST et connectés au plan de sol.

Les lignes de communication (lignes de données) doivent être connectées à l'EST avec les câbles prévus pour cette application dans la spécification technique ou dans la norme appropriée.

7.4 Générateur d'essai

Le générateur d'essai ne doit pas influencer sur le champ magnétique et en conséquence, il ne doit pas être positionné à proximité de la bobine d'induction.

7.5 Bobine d'induction

La bobine d'induction, dont les caractéristiques sont spécifiées en 6.3.2, doit entourer l'EST. L'EST doit être placé à l'intérieur du volume d'essai de 3 dB de la bobine d'induction.

On peut choisir différentes bobines d'induction pour exécuter les essais dans les différentes directions orthogonales, conformément aux critères généraux spécifiés en 6.3.3 a) et 6.3.3 b).

La bobine d'induction doit être connectée au générateur d'essai de la même manière que pour la procédure spécifiée en 6.3.4.

La bobine d'induction retenue pour les essais doit être spécifiée dans le programme d'essai.

8 Procédure d'essai

8.1 Généralités

La procédure d'essai doit comprendre les opérations suivantes:

- vérification des conditions de référence du laboratoire;
- vérification préliminaire du bon fonctionnement du matériel;
- exécution de l'essai;
- évaluation des résultats de l'essai.

8.2 Conditions de référence du laboratoire

8.2.1 Général

Afin de réduire au minimum l'influence des paramètres d'environnement sur les résultats de l'essai, celui-ci doit être effectué dans les conditions climatiques et électromagnétiques spécifiées en 8.2.2 et 8.2.3.

8.2.2 Conditions climatiques

A moins qu'il en soit spécifié autrement par le comité responsable d'une norme générique ou d'une norme de produit, les conditions climatiques dans le laboratoire doivent être dans les limites spécifiées pour le fonctionnement de l'EST et des matériels d'essai par leurs constructeurs respectifs.

Les essais ne doivent pas être réalisés si l'humidité relative est telle qu'elle cause une condensation sur l'EST ou sur les matériels d'essai.

NOTE Lorsqu'il est estimé qu'il y a une évidence suffisante pour démontrer que les effets du phénomène couverts par la présente norme sont influencés par les conditions climatiques, il convient d'en informer le comité responsable de la présente norme.

8.2.3 Conditions électromagnétiques

Les conditions électromagnétiques du laboratoire doivent être de nature à garantir le bon fonctionnement de l'EST, de manière à ne pas influencer les résultats de l'essai; le cas échéant, les essais doivent être effectués dans une cage de Faraday.

Notamment, la valeur du champ magnétique à la fréquence du réseau dans le laboratoire doit être inférieure d'au moins 20 dB à celle du niveau d'essai sélectionné.

8.3 Exécution de l'essai

Il convient que toute personne présente dans le laboratoire veille à respecter les exigences applicables en termes d'exposition des personnes. En l'absence d'exigence relative à la protection des personnes, une distance de 2 m est recommandée.

Chaque essai doit être effectué d'après un programme d'essai comprenant la vérification des performances de l'EST telles qu'elles sont définies dans la spécification technique.

La valeur de la tension d'alimentation, des signaux et des autres quantités électriques fonctionnelles qui sont appliquées doit se trouver dans leur gamme nominale.

Si l'on ne peut pas obtenir les signaux de fonctionnement, on peut les simuler.

La vérification préliminaire des performances de l'équipement doit être effectuée avant d'appliquer le champ magnétique.

Le champ magnétique doit être appliqué par la méthode d'immersion de l'EST en le préparant préalablement comme spécifié en 7.3.

Le niveau de l'essai ne doit pas excéder la spécification de produit.

L'intensité du champ et la durée de l'essai doivent être conformes aux valeurs déterminées par le niveau d'essai choisi, en fonction des différents types de champs (champ permanent ou de courte durée) établis dans le programme d'essai.

a) Matériel de table

Le matériel doit être soumis au champ magnétique d'essai comme décrit à la Figure 3.

Le plan de la bobine d'induction doit être tourné de 90° pour exposer l'EST au champ d'essai suivant différentes orientations.

b) Équipement posé au sol

L'équipement doit être soumis au champ magnétique d'essai produit par des bobines d'induction de dimensions normalisées conformes au 6.3.3 b). L'essai doit être répété en bougeant et déplaçant les bobines d'induction, dans le but de soumettre à l'essai la totalité du volume de l'EST dans toutes les directions orthogonales (voir la Figure 5)

Si l'EST est supérieur au volume d'essai de 3 dB de la bobine d'induction, l'essai doit être réeffectué avec la bobine en la déplaçant dans différentes positions, par étapes équivalant à 50 % du plus petit côté de la bobine, de sorte que l'intégralité de l'EST est progressivement immergée dans le volume d'essai de 3 dB.

NOTE Le déplacement de la bobine d'induction par étapes équivalant à 50 % de son plus petit côté entraîne le recouvrement des parties exposées.

Le plan de la bobine d'induction doit être tourné de 90° pour exposer l'EST au champ suivant différentes orientations avec la même procédure.

9 Évaluation des résultats d'essai

Les résultats d'essai doivent être classés en tenant compte de la perte de fonction ou de la dégradation du fonctionnement du matériel soumis à l'essai, par rapport à un niveau de fonctionnement défini par son constructeur ou par le demandeur de l'essai, ou en accord entre le constructeur et l'acheteur du produit. La classification recommandée est comme suit:

- a) fonctionnement normal dans les limites spécifiées par le constructeur, le demandeur de l'essai ou l'acheteur;
- b) perte temporaire de fonction ou dégradation temporaire du fonctionnement cessant après la disparition de la perturbation; le matériel soumis à l'essai retrouve alors son fonctionnement normal sans l'intervention d'un opérateur;
- c) perte temporaire de fonction ou dégradation temporaire du fonctionnement nécessitant l'intervention d'un opérateur;
- d) perte de fonction ou dégradation du fonctionnement non récupérable, due à une avarie du matériel ou du logiciel, ou à une perte de données.

La spécification du constructeur peut définir des effets sur l'EST qui peuvent être considérés comme non significatifs et donc acceptables.

Cette classification peut être utilisée comme un guide pour l'élaboration des critères d'aptitude à la fonction, par les comités responsables pour les normes génériques, de produit ou de famille de produits, ou comme un cadre pour l'accord sur les critères d'aptitude à la fonction entre le constructeur et l'acheteur, par exemple lorsque aucune norme générique, de produit ou de famille de produits appropriée n'existe.

10 Rapport d'essai

Le rapport d'essai doit contenir toutes les informations nécessaires pour reproduire l'essai. En particulier, ce qui suit doit être noté:

- les points spécifiés dans le plan d'essai requis à l'Article 8 de la présente norme;
- l'identification de l'EST et de tous les matériels associés, par exemple, marque, type de produit, numéro de série;
- l'identification des matériels d'essai, par exemple marque, type de produit, numéro de série;
- toutes les conditions d'environnement spéciales dans lesquelles l'essai a été réalisé, par exemple enceinte blindée;
- toutes les conditions spécifiques nécessaires pour permettre la réalisation de l'essai;

- le niveau de fonctionnement défini par le constructeur, le demandeur de l'essai ou l'acheteur;
- le critère d'aptitude à la fonction spécifié dans la norme générique, de produit ou de famille de produits;
- tous les effets observés sur l'EST pendant ou après l'application de la perturbation, et la durée pendant laquelle ces effets ont persisté;
- la justification de la décision succès/échec (basée sur le critère d'aptitude à la fonction spécifié dans la norme générique, de produit ou de famille de produits, ou dans l'accord entre le constructeur et l'acheteur);
- toutes les conditions spécifiques d'utilisation, par exemple longueur ou type de câble, blindage ou raccordement à la terre, ou les conditions de fonctionnement de l'EST, qui sont requises pour assurer la conformité.

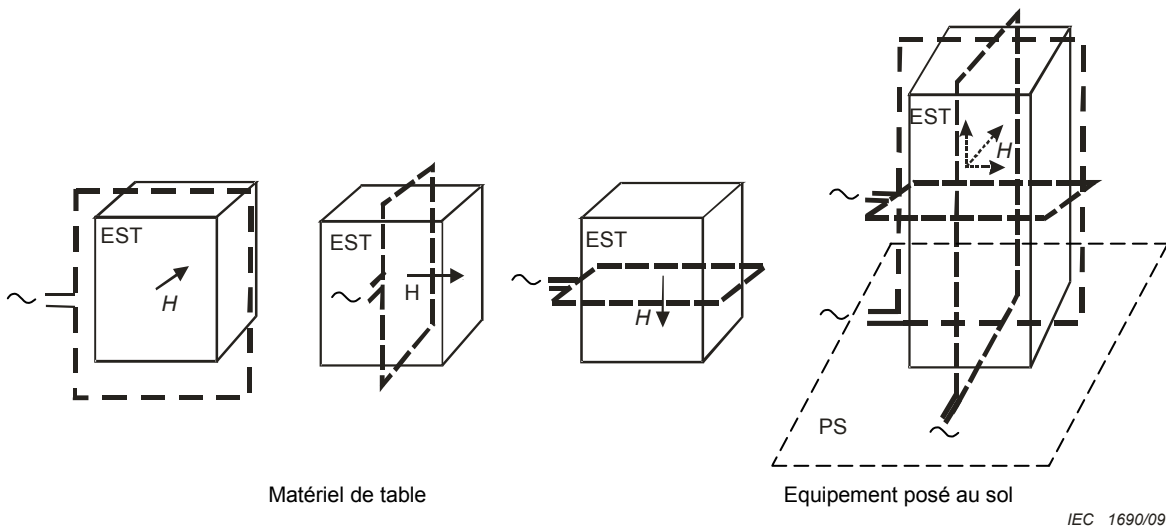
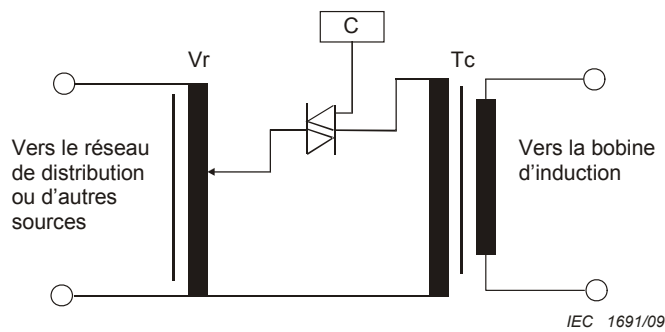


Figure 1 – Exemple d'application du champ par la méthode par immersion



Composants

- Vr Régulateur de tension
- C Circuit de commande
- Tc Transformateur de courant

Figure 2 – Schéma du générateur d'essai produisant le champ magnétique à la fréquence du réseau

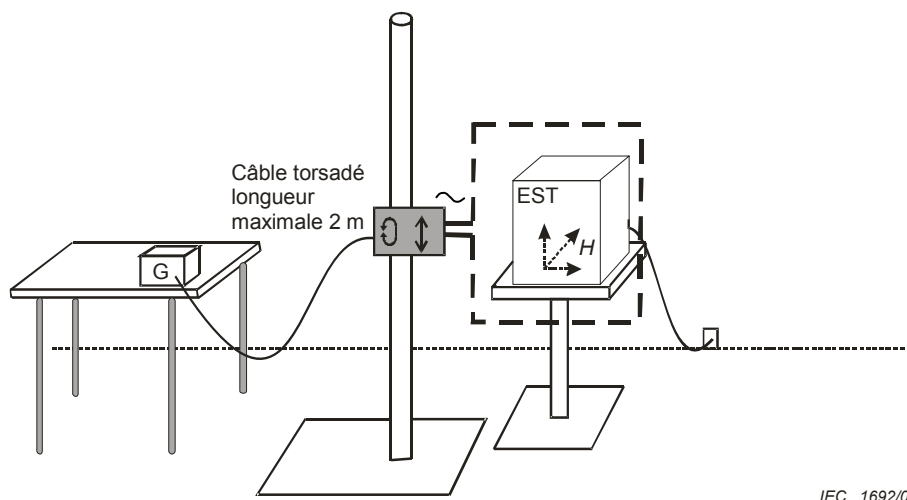


Figure 3 – Exemple d'installation d'essai pour matériel de table

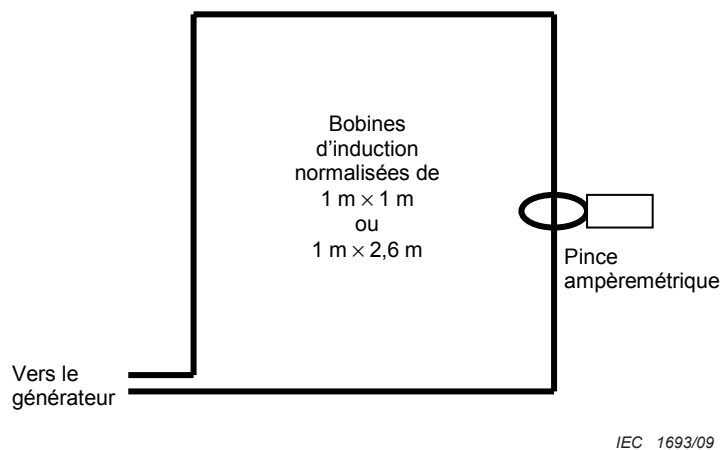
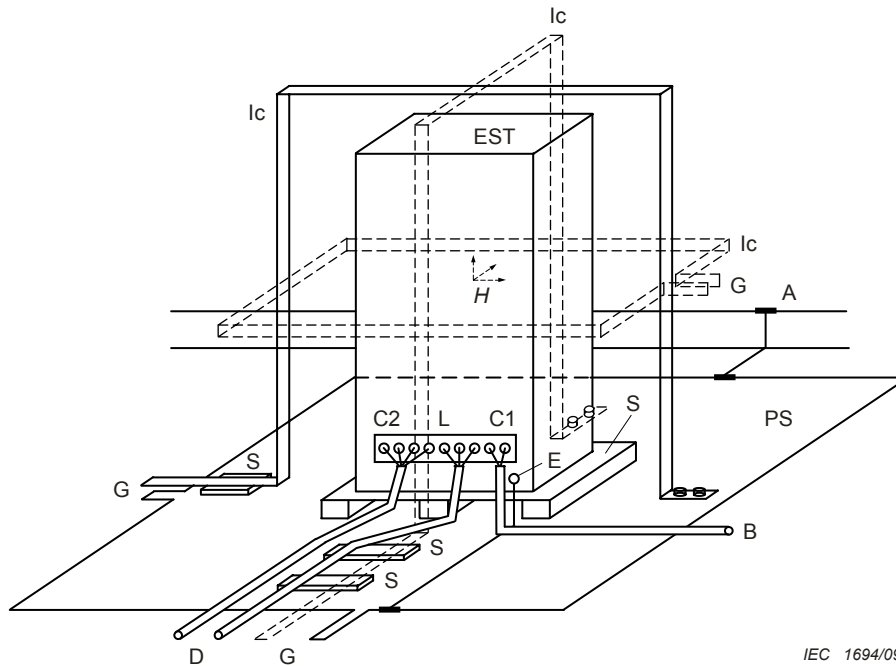


Figure 4 – Étalonnage des bobines normalisées

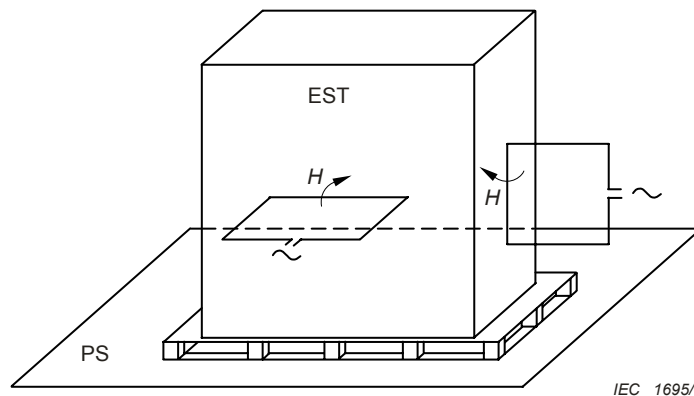


IEC 1694/09

Composants

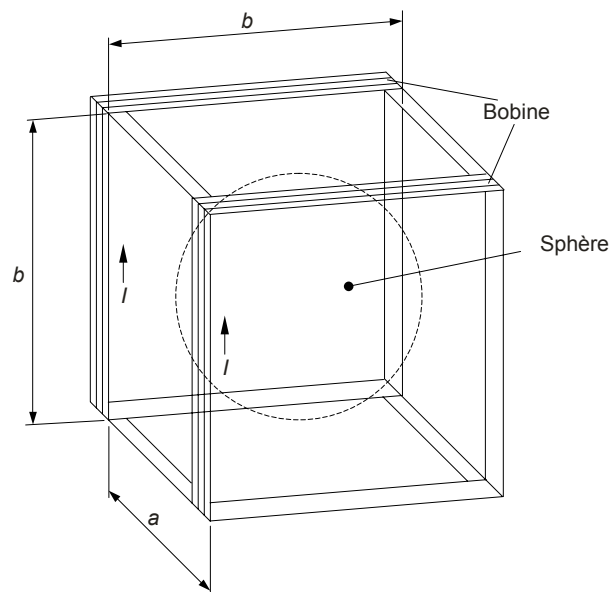
- | | | | |
|-----|---------------------|----|-------------------------------|
| PS | Plan au sol | C1 | Circuit d'alimentation |
| A | Terre de sécurité | C2 | Circuit de signaux |
| S | Support isolant | L | Ligne de communication |
| EST | Équipement en essai | B | Vers source d'alimentation |
| Ic | Bobine d'induction | S | Source de signaux, simulateur |
| E | Borne de terre | G | Vers générateur d'essai |

Figure 5 – Exemple d'installation d'essai pour équipement posé au sol



IEC 1695/09

Figure 6 – Exemple de recherche de susceptibilité aux champs magnétiques par la méthode de proximité avec une bobine d'induction de 1 m × 1 m



IEC 1696/09

Légende

| | | | |
|-----|-------------------------------------|-----|----------------------------|
| n | Nombre de tours dans chaque bobine | a | Séparation des bobines |
| b | Côté des bobines (m) | I | Valeur du courant (A) |
| H | Intensité du champ magnétique (A/m) | H | $1,22 \times n/b \times I$ |

(avec $a = b/2,5$ la non-homogénéité du champ magnétique est de $\pm 0,2$ dB)

Figure 7 – Représentation des bobines de Helmholtz

Annexe A (normative)

Méthode d'étalonnage des bobines d'induction

A.1 Mesure des champs magnétiques

L'essai au champ magnétique se fait en espace libre, sans équipement à l'essai et avec la bobine à une distance minimale de 1 m de tout matériau magnétique et des parois du laboratoire. L'exception étant que le PS pour l'installation d'essai de l'équipement posé au sol, qui est une partie de la bobine et doit être posé sur le sol.

Le champ magnétique peut être mesuré par un système composé de capteurs étalonnés par exemple du type « effet Hall » ou multispères d'un diamètre inférieur à celui de la bobine d'induction d'au moins un ordre de grandeur et des instruments de mesure à bande étroite pour la fréquence du réseau.

A.2 Étalonnage de la bobine d'induction

L'étalonnage doit se faire en injectant un courant d'étalonnage à la fréquence du réseau dans la bobine d'induction et en mesurant le courant des bobines d'induction normalisées et pour les autres bobines d'induction, le champ magnétique à l'aide de capteurs placés en son centre géométrique.

L'orientation des capteurs doit être déterminée de manière à obtenir la valeur maximale.

Le « *facteur de bobine d'induction* » doit être déterminé pour chaque bobine par le rapport « intensité du champ/courant d'injection » (H/A).

Ce « *facteur de bobine* » déterminé en courant alternatif n'est pas lié à la forme d'onde du courant, parce que c'est un paramètre caractéristique de la bobine d'induction. On peut donc l'utiliser pour évaluer les champs magnétiques à la fréquence du réseau.

Annexe B (normative)

Caractéristiques des bobines d'induction

B.1 Généralités

Cette annexe traite des aspects étudiés par rapport à la production de champs magnétiques destinée aux essais d'immunité.

Dans un premier temps, on a étudié les méthodes par immersion et les méthodes de proximité.

Pour connaître les limites d'application de ces méthodes, il a fallu approfondir certaines questions.

Dans ce qui suit, on donne les explications ayant abouti aux valeurs choisies.

B.2 Exigences relatives aux bobines d'induction

On accepte une tolérance de « 3 dB sur le champ dans le volume de l'EST ». Compte tenu des limites pratiques de production de champs constants dans une large plage de volumes, cette marge a été considérée comme un compromis technique raisonnable pour un essai caractérisé par des niveaux de sévérité distants de 10 dB.

La constance du champ n'est exigée que dans une seule direction, orthogonale au plan de la bobine. On peut obtenir un champ orienté dans différentes directions en faisant pivoter la bobine d'induction au cours des différentes phases des essais.

B.3 Caractéristiques des bobines d'induction

Les diagrammes suivants présentent les caractéristiques de bobines d'induction de différentes dimensions connues pour étudier les *matériels de table* ou les *équipements posés au sol*:

- profil du champ produit dans son plan par une spire d'induction carrée (1 m de côté) (voir Figure B.1);
- zone des 3 dB pour le champ produit dans son plan par une spire d'induction carrée (1 m de côté) (voir Figure B.2);
- zone des 3 dB pour le champ produit dans le plan orthogonal moyen (composante orthogonale au plan de la spire) par une bobine d'induction carrée (1 m de côté) (voir Figure B.3);
- zone des 3 dB pour le champ produit dans le plan orthogonal moyen (composante orthogonale au plan des bobines) par deux spires d'induction carrée (1 m de côté) espacées de 0,6 m (voir Figure B.4);
- zone des 3 dB pour le champ produit dans le plan orthogonal moyen (composante orthogonale au plan des bobines) par deux spires d'induction carrée (1 m de côté) espacées de 0,8 m (voir Figure B.5);
- zone des 3 dB pour le champ produit dans son plan par une spire d'induction rectangulaire (1 m × 2,6 m) (voir Figure B.6);

- zone des 3 dB pour le champ produit dans son plan par une spire d'induction rectangulaire ($1\text{ m} \times 2,6\text{ m}$), (le plan de sol étant considéré comme un côté de la bobine) (voir Figure B.7);
- zone des 3 dB pour le champ produit dans le plan orthogonal moyen (composante orthogonale au plan de la bobine) par une spire d'induction rectangulaire ($1\text{ m} \times 2,6\text{ m}$) (voir Figure B.8).

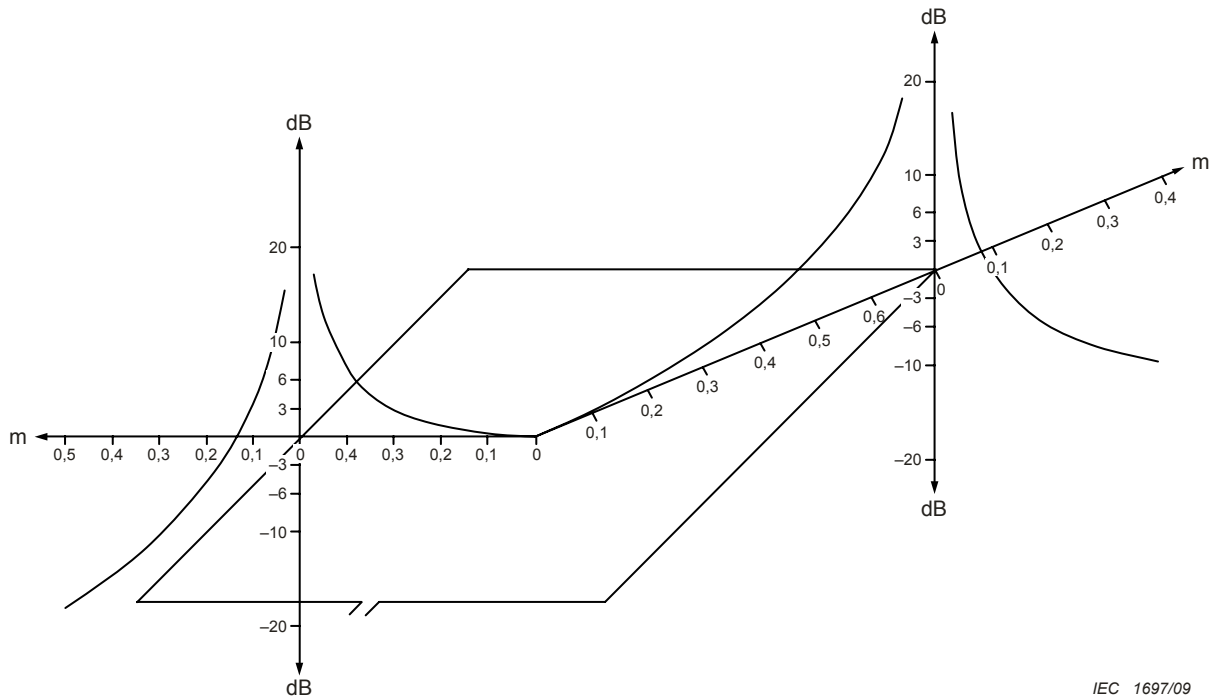
Les critères suivants ont été pris en compte dans le choix de la forme, de la disposition et des dimensions des bobines d'induction:

- la zone des 3 dB, à l'intérieur et à l'extérieur de la bobine d'induction, est liée à la forme et aux dimensions de celle-ci;
- pour un champ donné, la valeur du courant, la puissance d'alimentation et l'énergie du générateur d'essai sont proportionnels aux dimensions de la bobine d'induction.

B.4 Résumé des caractéristiques des bobines d'induction

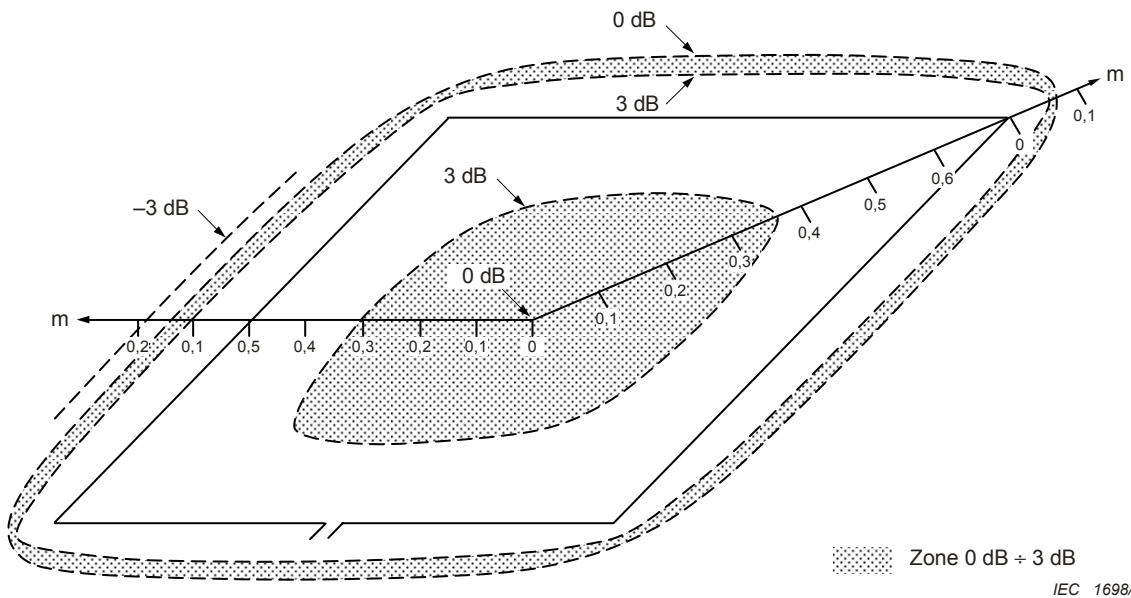
Sur la base des données obtenues sur la distribution du champ engendré par des bobines de différentes tailles et dans l'optique de l'application de la méthode d'essai présentée dans cette norme à différentes classes de matériels, on peut tirer les conclusions suivantes:

- *1 spire carrée de 1 m de côté*: volume d'essai de $0,6\text{ m} \times 0,6\text{ m} \times 0,5\text{ m}$ (hauteur) (distance minimale 0,2 m entre l'EST et la bobine);
- *2 spires carrées de 1 m de côté espacées de 0,6 m*: volume d'essai de $0,6\text{ m} \times 0,6\text{ m} \times 1\text{ m}$ (hauteur) (distance minimale de 0,2 m entre l'EST et la bobine), augmentation de la distance séparant les bobines jusqu'à 0,8 m et augmentation de la hauteur d'essai jusqu'à 1,2 m (voir zone des 3 dB dans le plan orthogonal moyen);
- *1 spire rectangulaire de $1\text{ m} \times 2,6\text{ m}$* : volume d'essai de $0,6\text{ m} \times 2\text{ m}$ (hauteur) $\times 0,6\text{ m}$. (Distances minimales de 0,2 m et de 0,3 m entre l'EST et la bobine, respectivement dans le sens horizontal et dans le sens vertical); si la bobine est fixée au plan du sol, une distance de 0,1 m suffit.



IEC 1697/09

Figure B.1 – Caractéristiques du champ engendré dans son plan par une spire d'induction carrée (1 m de côté)



IEC 1698/09

Figure B.2 – Zones des 3 dB pour le champ engendré dans son plan par une spire d'induction carrée (1 m de côté)

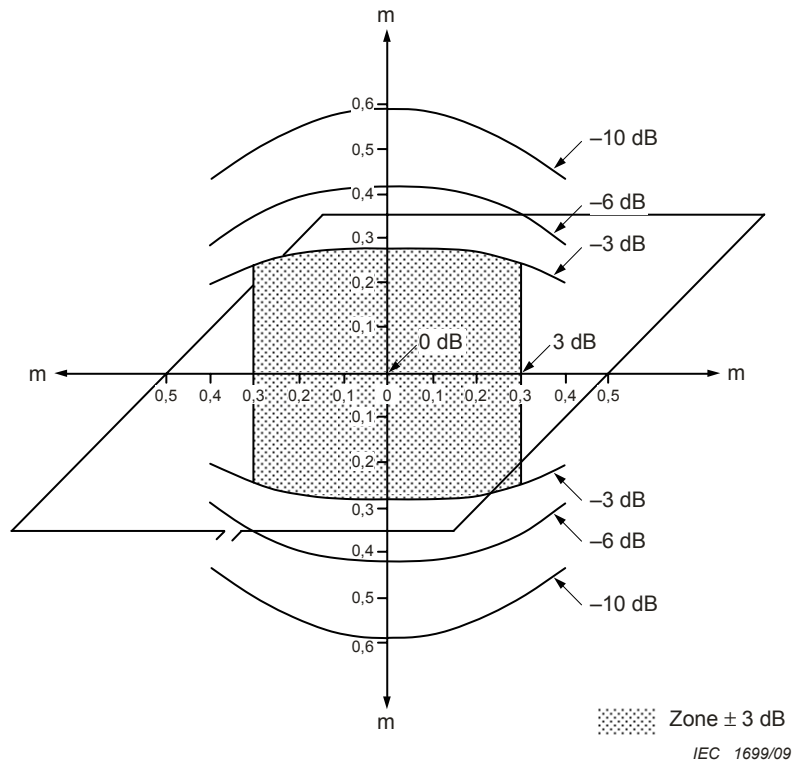


Figure B.3 – Zones des 3 dB pour le champ engendré dans le plan orthogonal moyen (composante orthogonale au plan de la spire) par une spire d'induction carrée (1 m de côté)

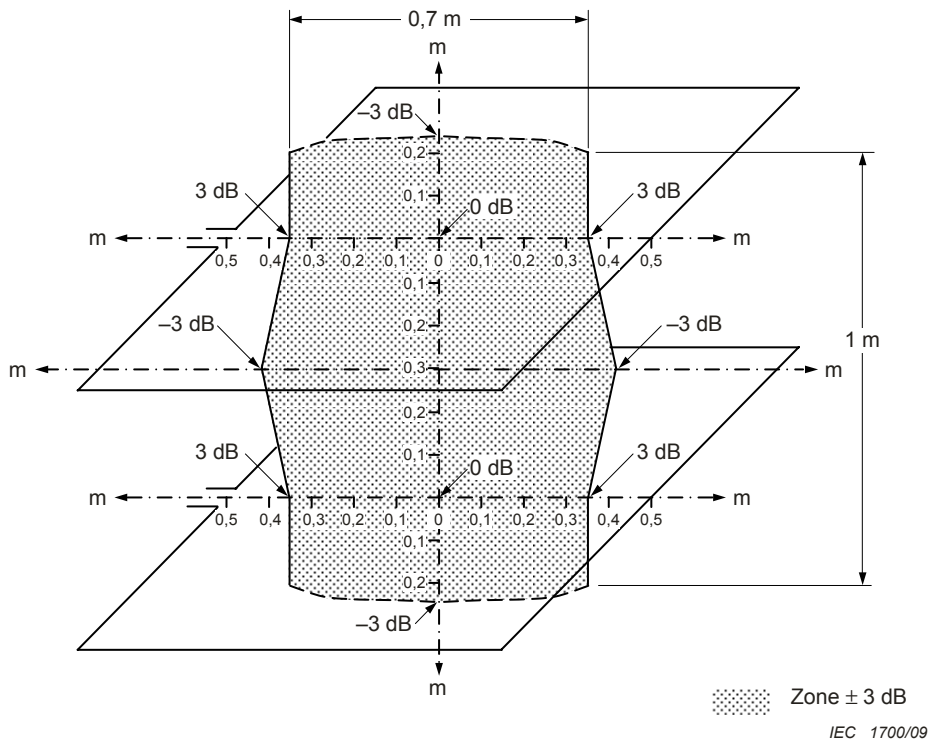


Figure B.4 – Zones des 3 dB pour le champ engendré dans le plan orthogonal moyen (composante orthogonale au plan des spires) par deux spires d'induction carrées (1 m de côté) espacées de 0,6 m

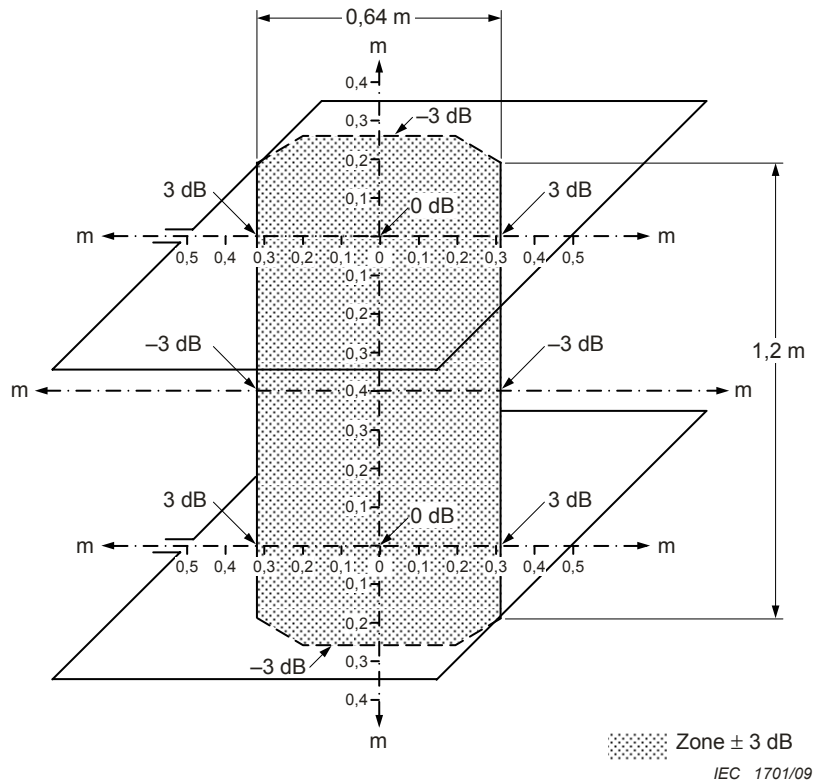


Figure B.5 – Zones des 3 dB pour le champ engendré dans le plan orthogonal moyen (composante orthogonale au plan des spires) par deux spires d'induction carrées (1 m de côté) espacées de 0,8 m

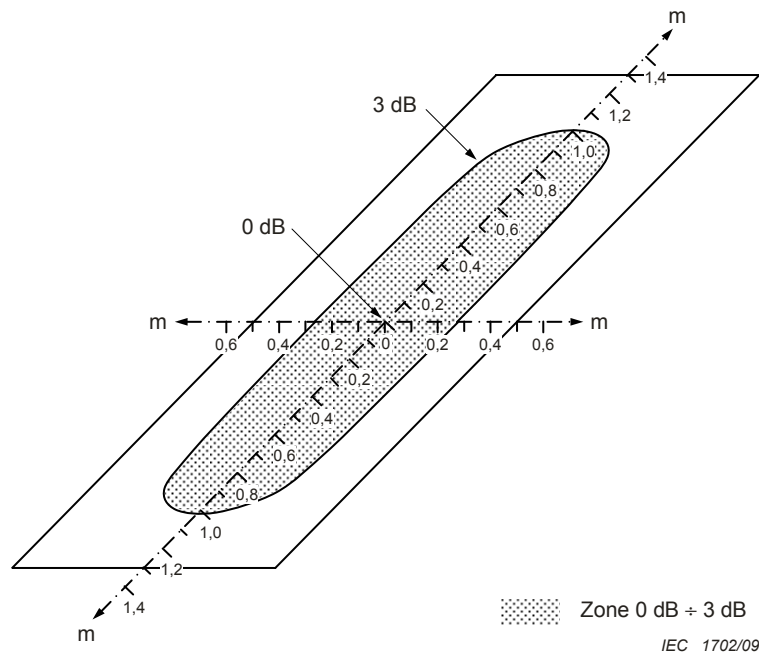


Figure B.6 – Zones des 3 dB pour le champ engendré dans son plan par une spire d'induction rectangulaire (1 m × 2,6 m)

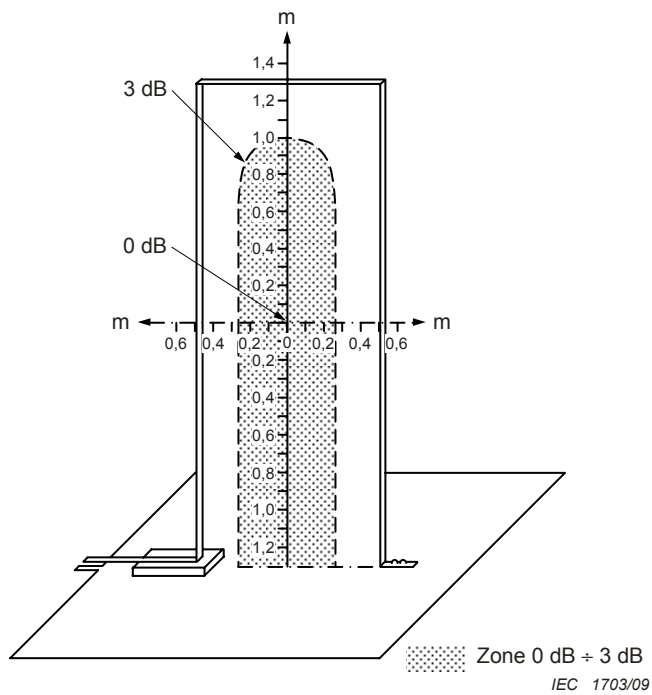


Figure B.7 – Zones des 3 dB pour le champ engendré dans son plan par une spire d'induction rectangulaire (1 m × 2,6 m), (le plan de sol étant considéré comme un côté de la bobine)

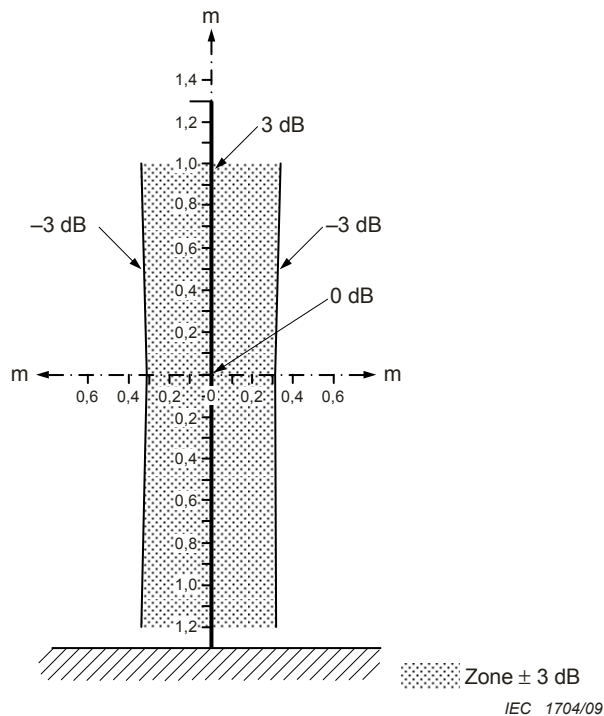


Figure B.8 – Zones des 3 dB pour le champ engendré dans le plan orthogonal moyen (composante orthogonale au plan de la spire) par une spire d'induction rectangulaire (1 m × 2,6 m)

Annexe C (informative)

Sélection des niveaux d'essais

Les niveaux d'essais doivent être choisis en fonction des conditions réelles d'installation et d'environnement.

Ces niveaux sont exposés à l'Article 5.

Les essais d'immunité sont en corrélation avec ces niveaux afin d'établir un niveau de fonctionnement en fonction de l'environnement dans lequel l'équipement est censé fonctionner. Une statistique des champs magnétiques à la fréquence du réseau est donnée à l'Annexe D.

Le niveau d'essai doit être choisi conformément:

- à l'environnement électromagnétique;
- à la proximité des sources de perturbations par rapport au matériel concerné;
- aux marges de compatibilité.

Fondé sur les pratiques d'installation habituelles, un guide pour le choix des niveaux d'essais aux champs magnétiques peut être le suivant:

Classe 1: Niveau d'environnement où un appareil très sensible utilisant un faisceau électronique peut être utilisé.

Les *moniteurs CRT, microscopes électroniques, etc.*, sont représentatifs de ces appareils.

Classe 2: Environnement très protégé

Cet environnement se caractérise par les éléments suivants:

- absence de matériels électriques tels que des transformateurs de puissance susceptibles de donner naissance à des flux de fuite;
- zones non soumises à l'influence de la commutation de barres haute tension par des sectionneurs.

Les *zones protégées des habitations, bureaux, hôpitaux*, éloignées des conducteurs de terre des systèmes de protection contre la foudre et les *zones blindées des installations industrielles et des postes haute tension* peuvent être représentatives de ce type d'environnement.

Classe 3: Environnement protégé

Cet environnement se caractérise par les éléments suivants:

- matériels électriques et câbles susceptibles de donner naissance à des flux de fuite ou à des champs magnétiques;
- proximité de conducteurs de terre des systèmes de protection;
- circuits moyenne tension et barres haute tension éloignés (quelques centaines de mètres) du matériel concerné.

Les *zones commerciales, les centres de contrôle, les sites d'industrie légère* ainsi que les *salles d'ordinateurs des postes haute tension* peuvent être représentatifs de ce type d'environnement.

Classe 4: Environnement industriel type

Cet environnement se caractérise par les éléments suivants:

- lignes d'alimentation courtes telles que des barres omnibus, etc.;
- matériels électriques de grande puissance susceptibles de donner naissance à des flux de fuite;
- conducteurs de terre des systèmes de protection;
- circuits moyenne tension et barres haute tension relativement éloignés (quelques dizaines de mètres) du matériel concerné.

Les sites d'industrie lourde et de centrales électriques, ainsi que les salles de commande des postes haute tension peuvent être représentatifs de ce type d'environnement.

Classe 5: Environnement industriel sévère

Cet environnement se caractérise par les éléments suivants:

- conducteurs, barres ou lignes haute ou moyenne tension transportant des dizaines de kA;
- conducteurs de terre des systèmes de protection;
- proximité de barres moyenne ou haute tension;
- proximité de matériels électriques de grande puissance.

Les zones extérieures des postes MT et HT des sites d'industrie lourde et les postes électriques haute ou moyenne tension peuvent être représentatifs de ce type d'environnement.

Classe X: Environnement spécial

L'écartement électromagnétique entre les sources d'interférence et les circuits, câbles, lignes, etc., ainsi que la qualité des installations peuvent justifier l'utilisation d'un niveau supérieur ou inférieur à ceux décrits ci-dessus. Il convient de noter que les lignes d'équipement d'un niveau de sévérité plus élevé peuvent pénétrer dans un environnement d'un niveau de sévérité moindre.

Annexe D (informative)

Information sur l'intensité des champs magnétiques à la fréquence du réseau

Cette annexe regroupe des exemples de données sur l'intensité des champs magnétiques. Bien que non exhaustives, ces données peuvent donner des informations sur l'intensité des champs que l'on peut rencontrer dans différents lieux et/ou situations. Les comités de produits peuvent en tenir compte pour sélectionner les niveaux d'essai applicables à chaque application spécifique.

Ces données sont extraites de la bibliographie et ou des mesures connues.

a) Appareils ménagers

Le Tableau D.1 présente une étude réalisée sur les champs magnétiques produits par environ 100 appareils de 25 types différents. L'intensité des champs indiqués est mesurée à la surface des appareils (elle est relativement localisée) et à des distances plus grandes. A des distances de 1 m ou plus, l'intensité du champ ne varie pas de plus de 10 % à 20 % de la valeur maximale présumée à cette distance quelle que soit la direction. Le champ magnétique ambiant dans les locaux où ces mesures ont été prises variait de 0,05 A/m à 0,1 A/m.

Les défauts intervenant sur les lignes domestiques basse tension produisent des champs supérieurs aux valeurs spécifiées, suivant l'intensité de court-circuit de chaque installation; la durée de ces perturbations est de l'ordre de quelques centaines de ms, suivant le système de protection installé.

Tableau D.1 – Valeurs maximales du champ magnétique produit par les appareils ménagers (résultats de mesures réalisées sur 100 appareils de 25 types différents)

| Distance depuis la surface de l'appareil | $d = 0,3 \text{ m}$ | $d = 1,5 \text{ m}$ |
|--|---------------------|---------------------|
| 95 % des mesures | 0,03 A/m – 10 A/m | 0,1 A/m |
| Mesure la plus élevée | 21 A/m | 0,4 A/m |

b) Lignes haute tension

Le champ magnétique dépendant de la configuration des lignes et des conditions de charge et de défaut, le profil de champ peut être plus significatif pour déterminer l'environnement électromagnétique auquel peut être soumis un équipement.

Des informations d'ordre général sur les effets produits sur l'environnement par les lignes haute tension sont données dans la CEI 61000-2-3.

Un résumé quantitatif des mesures de champ réel figure dans le Tableau D.2.

Tableau D.2 – Valeurs du champ magnétique sous les fils d'une ligne 400 kV

| Sous le pylône | Sous une section de ligne, en milieu de portée | A une distance de 30 m latéralement |
|----------------|--|-------------------------------------|
| 10 A/m/kA | 16 A/m/kA | environ 1/3 de ces valeurs |

c) Zone poste électrique haute tension

L'étude quantitative des mesures du champ réel relative à des postes électriques haute tension 200 kV et 400 kV est donnée au Tableau D.3.

Tableau D.3 – Valeurs du champ magnétique dans les zones de postes électriques haute tension

| Poste électrique | 220 kV | 400 kV |
|---|--|--------|
| Sous les barres, à proximité de la connexion à une ligne transportant un courant d'environ 0,5 kA | 14 A/m | 9 A/m |
| Dans les salles de relaying (bâtiment de travée) | A proximité des enregistrements graphiques des consignateurs d'état $d = 0,5 \text{ m}$: 3,3 A/m A proximité d'un transformateur de mesure de tension $d = 0,1 \text{ m}$: 7,0 A/m $d = 0,3 \text{ m}$: 1,1 A/m | |
| Dans la salle des équipements | Maximum 0,7 A/m | |

d) Centrales électriques et installations industrielles

Des mesures ont été prises dans différentes zones d'une centrale électrique; la plupart des résultats sont comparables à ceux des installations industrielles en ce qui concerne les lignes d'alimentation et les équipements électriques.

L'analyse de mesure du champ réel est indiquée au Tableau D.4.

Tableau D.4 – Valeurs du champ magnétique dans les centrales électriques

| Source du champ magnétique | Champ (A/m) à la distance de: | | | |
|---|-------------------------------|-----------|-----------|---------|
| | 0,3 m | 0,5 m | 1 m | 1,5 m |
| Barres moyenne tension transportant un courant de 2,2 kA ^a | 14 – 85 | 13,5 – 71 | 8,5 – 35 | 5,7 |
| Transformateur moyenne/haute tension de 190 MVA, charge 50 % | – | – | 6,4 | – |
| Cellules 6 kV ^a | 8 – 13 | 6,5 – 9 | 3,5 – 4,3 | 2 – 2,4 |
| Câbles torsadés 6 kV | – | 2,5 | – | – |
| Pompes de 6 MVA (pleine charge 0,65 kA) | 26 | 15 | 7 | – |
| Transformateur moyenne/basse tension de 600 kVA | 14 | 9,6 | 4,4 | – |
| Salle des équipements, enregistreur à pointer | 10,7 | – | – | – |
| Salle des équipements à distance des sources magnétiques | 0,9 | | | |
| ^a Ces fourchettes de valeurs intègrent les variations de direction, distance et géométrie des différentes installations. | | | | |

Bibliographie

CEI 60068-1, *Essais d'environnement – Partie 1: Généralités et guide*

CEI 61000-2-4, *Compatibilité électromagnétique (CEM) – Partie 2-4: Environnement – Niveaux de compatibilité dans les installations industrielles pour les perturbations conduites à basse fréquence*

Accordé par l'INNORPI au CERT
Bon de commande Client n° CDA12000028 daté du 2012-02-03
Utilisateur unique, copie et mise en réseau interdite

Accordé par l'INNORPI au CERT
Bon de commande Client n° CDA12000028 daté du 2012-02-03
Utilisateur unique, copie et mise en réseau interdite

INTERNATIONAL
ELECTROTECHNICAL
COMMISSION

3, rue de Varembé
PO Box 131
CH-1211 Geneva 20
Switzerland

Tel: + 41 22 919 02 11
Fax: + 41 22 919 03 00
info@iec.ch
www.iec.ch