

I n t e r n a t i o n a l T e l e c o m m u n i c a t i o n U n i o n

ITU-T

TELECOMMUNICATION
STANDARDIZATION SECTOR
OF ITU

Q.1742.8

(06/2010)

SERIES Q: SWITCHING AND SIGNALLING

Signalling requirements and protocols for IMT-2000

**IMT-2000 references (approved as of
31 January 2010) to ANSI-41 evolved core
network with cdma2000 access network**

Recommendation ITU-T Q.1742.8



ITU-T Q-SERIES RECOMMENDATIONS

SWITCHING AND SIGNALLING

SIGNALLING IN THE INTERNATIONAL MANUAL SERVICE	Q.1–Q.3
INTERNATIONAL AUTOMATIC AND SEMI-AUTOMATIC WORKING	Q.4–Q.59
FUNCTIONS AND INFORMATION FLOWS FOR SERVICES IN THE ISDN	Q.60–Q.99
CLAUSES APPLICABLE TO ITU-T STANDARD SYSTEMS	Q.100–Q.119
SPECIFICATIONS OF SIGNALLING SYSTEMS No. 4, 5, 6, R1 AND R2	Q.120–Q.499
DIGITAL EXCHANGES	Q.500–Q.599
INTERWORKING OF SIGNALLING SYSTEMS	Q.600–Q.699
SPECIFICATIONS OF SIGNALLING SYSTEM No. 7	Q.700–Q.799
Q3 INTERFACE	Q.800–Q.849
DIGITAL SUBSCRIBER SIGNALLING SYSTEM No. 1	Q.850–Q.999
PUBLIC LAND MOBILE NETWORK	Q.1000–Q.1099
INTERWORKING WITH SATELLITE MOBILE SYSTEMS	Q.1100–Q.1199
INTELLIGENT NETWORK	Q.1200–Q.1699
SIGNALLING REQUIREMENTS AND PROTOCOLS FOR IMT-2000	Q.1700–Q.1799
SPECIFICATIONS OF SIGNALLING RELATED TO BEARER INDEPENDENT CALL CONTROL (BICC)	Q.1900–Q.1999
BROADBAND ISDN	Q.2000–Q.2999
SIGNALLING REQUIREMENTS AND PROTOCOLS FOR THE NGN	Q.3000–Q.3999

For further details, please refer to the list of ITU-T Recommendations.

Recommendation ITU-T Q.1742.8

IMT-2000 references (approved as of 31 January 2010) to ANSI-41 evolved core network with cdma2000 access network

Summary

Recommendation ITU-T Q.1742.8 associates the published core network standards from the regional standards development organizations (SDOs) with the 3GPP2 specifications that were approved as of 31 January 2010 for the IMT-2000 family member "ANSI-41 evolved Core Network with cdma2000 Access Network."

3GPP2 specifications, that were approved as of 17 July 2001, were associated with the published core network standards from the regional standards development organizations (SDOs) in Recommendation ITU-T Q.1742.1. 3GPP2 specifications, that were approved as of 11 July 2002, were associated with the published core network standards from the regional standards development organizations (SDOs) in Recommendation ITU-T Q.1742.2. 3GPP2 specifications, that were approved as of 30 June 2003, were associated with the published core network standards from the regional standards development organizations (SDOs) in Recommendation ITU-T Q.1742.3. 3GPP2 specifications, that were approved as of 30 June 2004, were associated with the published core network standards from the regional standards development organizations (SDOs) in Recommendation ITU-T Q.1742.4. 3GPP2 specifications, that were approved as of 31 December 2005, were associated with the published core network standards from the regional standards development organizations (SDOs) in Recommendation ITU-T Q.1742.5.

3GPP2 specifications, that were approved as of 31 December 2006, were associated with the published core network standards from the regional standards development organizations (SDOs) in Recommendation ITU-T Q.1742.6.

3GPP2 specifications, that were approved as of 30 June 2008, were associated with the published core network standards from the regional standards development organizations (SDOs) in Recommendation ITU-T Q.1742.7.

The radio interface and radio access network and the standards from the SDOs for this IMT-2000 family member are associated in Recommendation ITU-R M.1457. The associations for other IMT-2000 family members are identified in the ITU-T Q.174x-series Recommendation.

This Recommendation combines and associates the regional standards for the core network of this IMT-2000 family member into a global Recommendation.

History

Edition	Recommendation	Approval	Study Group
1.0	ITU-T Q.1742.8	2010-06-13	13

Keywords

ANSI-41, cdma2000, core network, IMT-2000, third generation system.

FOREWORD

The International Telecommunication Union (ITU) is the United Nations specialized agency in the field of telecommunications, information and communication technologies (ICTs). The ITU Telecommunication Standardization Sector (ITU-T) is a permanent organ of ITU. ITU-T is responsible for studying technical, operating and tariff questions and issuing Recommendations on them with a view to standardizing telecommunications on a worldwide basis.

The World Telecommunication Standardization Assembly (WTSA), which meets every four years, establishes the topics for study by the ITU-T study groups which, in turn, produce Recommendations on these topics.

The approval of ITU-T Recommendations is covered by the procedure laid down in WTSA Resolution 1.

In some areas of information technology which fall within ITU-T's purview, the necessary standards are prepared on a collaborative basis with ISO and IEC.

NOTE

In this Recommendation, the expression "Administration" is used for conciseness to indicate both a telecommunication administration and a recognized operating agency.

Compliance with this Recommendation is voluntary. However, the Recommendation may contain certain mandatory provisions (to ensure e.g., interoperability or applicability) and compliance with the Recommendation is achieved when all of these mandatory provisions are met. The words "shall" or some other obligatory language such as "must" and the negative equivalents are used to express requirements. The use of such words does not suggest that compliance with the Recommendation is required of any party.

INTELLECTUAL PROPERTY RIGHTS

ITU draws attention to the possibility that the practice or implementation of this Recommendation may involve the use of a claimed Intellectual Property Right. ITU takes no position concerning the evidence, validity or applicability of claimed Intellectual Property Rights, whether asserted by ITU members or others outside of the Recommendation development process.

As of the date of approval of this Recommendation, ITU had not received notice of intellectual property, protected by patents, which may be required to implement this Recommendation. However, implementers are cautioned that this may not represent the latest information and are therefore strongly urged to consult the TSB patent database at <http://www.itu.int/ITU-T/ipr/>.

© ITU 2011

All rights reserved. No part of this publication may be reproduced, by any means whatsoever, without the prior written permission of ITU.

CONTENTS

	Page
1 Scope	1
2 References.....	1
3 Definitions	2
4 Abbreviations and acronyms	5
5 Introduction	11
6 Basic architecture for the ANSI-41 evolved core network with cdma2000 access network family member.....	11
7 Network entities.....	17
7.1 Authentication, authorization and accounting.....	17
7.2 Authentication centre.....	17
7.3 Call data collection point.....	17
7.4 Call data generation point.....	18
7.5 Call data information source	18
7.6 Call data rating point	18
7.7 Collection function – [Intercept]	18
7.8 Coordinate routing database	18
7.9 Customer service centre	18
7.10 Delivery function – [Intercept].....	18
7.11 Equipment identity register	19
7.12 Evolved packet data interworking function.....	19
7.13 Home agent.....	19
7.14 Home location register	19
7.15 Intelligent peripheral	19
7.16 Intercept access point	19
7.17 Interworking function.....	19
7.18 IP services.....	19
7.19 Local position determining entity.....	20
7.20 Managed wireless network entity.....	20
7.21 Message centre	20
7.22 Mobile position centre	20
7.23 Mobile switching centre	20
7.24 Number portability database.....	20
7.25 Over-the-air service provisioning function	20
7.26 Packet data network.....	20
7.27 Packet data serving node	20
7.28 Position determining entity.....	20
7.29 Service control point.....	21
7.30 Service node	21

	Page
7.31	Short message entity..... 21
7.32	Visitor location register 21
7.33	Voice message centre 21
7.34	Wireless network entity 21
7.35	Access gateway 21
7.36	Access terminal 21
7.37	Application server 21
7.38	Authentication, authorization and accounting 21
7.39	Border router 22
7.40	Breakout gateway control function 22
7.41	Call session control function 22
7.42	Databases 22
7.43	Evolved base station 22
7.44	IP multimedia client 22
7.45	IP network 22
7.46	Local mobility anchor..... 22
7.47	Media gateway..... 22
7.48	Media gateway control function 23
7.49	Media resource function controller 23
7.50	Media resource function processor..... 23
7.51	Mobile IP home agent 23
7.52	Mobile station..... 23
7.53	Non-3GPP2 system 23
7.54	OSA service capability server 23
7.55	Policy decision function 24
7.56	Position determining entity..... 24
7.57	Position server 24
7.58	Public switched telephone network 24
7.59	Proxy mobile agent or mobile access gateway..... 24
7.60	Policy and charging rules function 24
7.61	Session reference network controller 24
8	Reference points 24
8.1	Reference point B 24
8.2	Reference point C 24
8.3	Reference point D..... 24
8.4	Reference point d..... 24
8.5	Reference point D1 25
8.6	Reference point Di..... 25
8.7	Reference point E 25
8.8	Reference point E3 25

	Page
8.9 Reference point E5	25
8.10 Reference point E9	25
8.11 Reference point E11	25
8.12 Reference point E12	25
8.13 Reference point e	25
8.14 Reference point F	25
8.15 Reference point G	25
8.16 Reference point H	25
8.17 Reference point I	25
8.18 Reference point J	25
8.19 Reference point K	26
8.20 Reference point L	26
8.21 Reference point M1	26
8.22 Reference point M2	26
8.23 Reference point M3	26
8.24 Reference point N	26
8.25 Reference point N1	26
8.26 Reference point O1	26
8.27 Reference point O2	26
8.28 Reference point Pi	26
8.29 Reference point Q	26
8.30 Reference point Q1	26
8.31 Reference point T1	26
8.32 Reference point T2	26
8.33 Reference point T3	27
8.34 Reference point T4	27
8.35 Reference point T5	27
8.36 Reference point T6	27
8.37 Reference point T7	27
8.38 Reference point T8	27
8.39 Reference point T9	27
8.40 Reference point V	27
8.41 Reference point X	27
8.42 Reference point Y	27
8.43 Reference point Z	27
8.44 Reference point Z1	27
8.45 Reference point Z2	27
8.46 Reference point Z3	27
8.47 Reference point 1	28
8.48 Reference point 2	28

	Page
8.49 Reference point 3.....	28
8.50 Reference point 4.....	28
8.51 Reference point 5/Mk.....	28
8.52 Reference point 6.....	28
8.53 Reference point 7.....	28
8.54 Reference point 8/OSA.....	28
8.55 Reference point 9/Mi.....	28
8.56 Reference point 10.....	28
8.57 Reference point 11/Sh.....	28
8.58 Reference point 12/ISC.....	29
8.59 Reference point 13.....	29
8.60 Reference point 14.....	29
8.61 Reference point 15.....	29
8.62 Reference point 16/Cx.....	29
8.63 Reference point 17/(Mg).....	29
8.64 Reference point 18.....	29
8.65 Reference point 19.....	29
8.66 Reference point 20.....	29
8.67 Reference point 21.....	29
8.68 Reference point 22.....	29
8.69 Reference point 23.....	29
8.70 Reference point 24/Mr.....	30
8.71 Reference point 25/Mp.....	30
8.72 Reference point 26/PSTN.....	30
8.73 Reference point 27.....	30
8.74 Reference point 28/Go.....	30
8.75 Reference point 29.....	30
8.76 Reference point 30/Mc.....	30
8.77 Reference point 31.....	30
8.78 Reference point 32/Mb.....	30
8.79 Reference point 33/Mb.....	30
8.80 Reference point 34/Mb.....	30
8.81 Reference point 35.....	30
8.82 Reference point 36/Mb.....	30
8.83 Reference point 37/Mb.....	31
8.84 Reference point 38/Mb.....	31
8.85 Reference point 39.....	31
8.86 Reference point 40/Mb.....	31
8.87 Reference point 41.....	31
8.88 Reference point 42/Mb.....	31

	Page
8.89	Reference point 43/Mb 31
8.90	Reference point 44/Mb 31
8.91	Reference point 45/Mb 31
8.92	Reference point 46/Mb 31
8.93	Reference point 47 31
8.94	Reference point 48 31
8.95	Reference point 49/(Mj) 32
8.96	Reference point 50 32
8.97	Reference point U1 32
8.98	Reference point U2 32
8.99	Reference point U3 32
8.100	Reference point U4 32
8.101	Reference point U6 32
8.102	Reference point U14 32
8.103	Reference point U15 32
8.104	Reference point U15' 32
8.105	Reference point U16 32
8.106	Reference point U17 32
8.107	Reference point U18 33
8.108	Reference point U19 33
8.109	Reference point U20 33
8.110	Reference point U21 33
8.111	Reference point U22 33
8.112	Reference point U23 33
8.113	Reference point U24 33
8.114	Reference point U25 33
8.115	Reference point U26 33
8.116	Reference point U27 34
8.117	Reference point U28 34
8.118	Reference point U29 34
8.119	Reference point U30 34
8.120	Reference point U31 34
8.121	Reference point U32 34
8.122	Reference point UMB-AI 34
9	Technical Specifications Structure 34

	Page
10 Technical specifications.....	35
10.1 A series RAN specifications.....	35
10.2 Intersystem specifications	36
10.3 Packet data specifications.....	47
10.4 Services and system aspects specifications	47
10.5 Core network specifications	126

Recommendation ITU-T Q.1742.8

IMT-2000 references (approved as of 31 January 2010) to ANSI-41 evolved core network with cdma2000 access network

1 Scope

This Recommendation identifies the IMT-2000 family member: "ANSI-41 evolved Core Network with cdma2000 Access Network." This set of referenced specifications includes those 3GPP2 specifications that were approved as of 31 January 2010.

The core network interfaces identified in this Recommendation and the radio interfaces and radio access network interfaces identified in Recommendation ITU-R M.1457 constitute a complete system specification for the third generation mobile system for terrestrial usage of this IMT-2000 family member.

It is the intent of the ITU-T that the references in this document are only to specifications that specify the network aspects of this IMT-2000 family member. In the event that a referenced specification also includes material that specifies any of the radio aspects of this IMT-2000 family member, Recommendation [ITU-R M.1457], shall take precedence.

NOTE – The structure and content of this Recommendation have been organized for ease of use by those familiar with the original source material; as such, the usual style of ITU-T recommendations has not been applied.

2 References

The following ITU-T Recommendations and other references contain provisions which, through reference in this text, constitute provisions of this Recommendation. At the time of publication, the editions indicated were valid. All Recommendations and other references are subject to revision; users of this Recommendation are therefore encouraged to investigate the possibility of applying the most recent edition of the Recommendations and other references listed below. A list of the currently valid ITU-T Recommendations is regularly published. The reference to a document within this Recommendation does not give it, as a stand-alone document, the status of a Recommendation.

- [1] Recommendation ITU-R M.1457 (2001): *Detailed specifications of the radio interfaces of international mobile telecommunications-2000 (IMT-2000)*.
- [2] ANSI; TIA/EIA 41-D (1997): *Cellular Radiotelecommunications Intersystem Operations (ANSI/TIA/EIA-41-D-97)*.
- [3] ANSI; TIA/EIA 95 (1999): *Mobile Station-Base Station Compatibility Standard for Wideband Spread Spectrum Cellular Systems (ANSI/TIA/EIA-95-B-99)*.
- [4] ANSI; TIA/EIA 124 (2001): *Wireless Radio Telecommunications Intersystem Non-Signaling Data Communication DMH (Data Message Handler) (ANSI/124-D-2001)*.
- [5] ANSI; TIA/EIA 136 (2001): *TDMA Cellular PCS (ANSI/TIA/EIA-136, Rev C-2001)*.
- [6] ANSI; TIA/EIA 553-A (1999): *Mobile Station – Base Station Compatibility Standard (ANSI TIA/EIA-553-A-99)*.
- [7] ANSI; TIA/EIA 664-A (2000): *Cellular Features Description (ANSI/TIA/EIA-664-A-2000)*.
- [8] TIA Specification IS-91 (1999): *Base Station – Mobile Station Compatibility Specification for 800 MHz Cellular, Auxiliary, and Residential Services (TIA/EIA/IS-91-A)*.
- [9] TIA Specification IS-2000 (2000): *CDMA 2000 Series (TIA/EIA/IS-2000 Series Revision A)*.

- [10] TIA Specification IS-2001-A (2001): *Interoperability Specifications (IOS) for cdma2000 Access Network Interfaces (TIA/EIA/IS-2001-A)*.
- [11] TIA Specification TSB-29D (2000): *International Implementation of Wireless Telecommunication Systems Compliant with TIA/EIA-41*.
- [12a] CWTS; CWTS-MC-S.R0005-B (2002): *Network Reference Model for cdma2000 Spread Spectrum Systems*.
- [12b] TIA; TSB100-A (2001): *Wireless Network Reference Model*.
- [12c] TTA; TTAE.3G-S.R0005-B (2001): *3GPP2 Network Reference Model for cdma2000 Spread Spectrum Systems*.
- [12d] TTC; TS-3GB-S.R0005-Bv1.0 (2001): *Network Reference Model for cdma2000 Spread Spectrum Systems*.
- [13a] CWTS; CWTS-MC-N.S0037 (2002), *IP Network Architecture Model for cdma2000 Spread Spectrum Systems*.
- [13b] TTA; TTAT.3G-S.R0037-0v2.0 (2003), *IP Network Architecture Model for cdma2000 Spread Spectrum Systems*.
- [13c] TTC; TS-3GB-S.R0037-0v2.0 (2002), *IP Network Architecture Model for cdma2000 Spread Spectrum Systems*.
- [14] TIA/EIA TSB29-E (2002), *International Implementation of Wireless Telecommunication Systems Compliant with TIA/EIA-41*.
- [15] TIA/EIA/IS-826 (2003), *TIA/EIA-41-D Based Pre-Paid Charging Enhancements for Circuit Switched Data and Short Message (2003)*.
- [16] 3GPP2 X.S0013-012-0 (2007), *All IP Core Network Multimedia Domain, Service Based Bearer Control – Stage 2*.

3 Definitions

This Recommendation defines the following terms:

Access Denial Call Treatment: A tone, announcement, or call redirection applied as appropriate.

Access Network: A network that connects access technologies (such as a radio access network) to the core network.

Active: The MS is available for call delivery. This state is maintained by the MSC, the VLR and the HLR. (See also available, inactive and unavailable.)

Adjunct MSC: A mobile switching centre (MSC) that is providing adjunct services such as voice response, voice recognition, DTMF tone detection, voice message storage, etc.

Anchor MSC: The mobile switching centre (MSC), that is the first to assign a traffic channel to a call on origination or termination is called the 'anchor MSC'. For the duration of this call, this MSC shall be the anchor (fixed) point in the event that the mobile station (MS) should be handed off to other MSCs.

Authentication: The act of verifying the identity of an entity (e.g., a user, a device).

Available: The MS can accept a call delivery (i.e., the MS is in a known location and it is in a state able to accept call deliveries). The availability of a MS to accept a call delivery is maintained only by the MSC. (See also active, inactive and unavailable.)

Base Transceiver Station: A piece of radio access network equipment that contains the radios and serves a geographic area.

Call Delivery: The process by which calls directed to the cellular subscriber are delivered to the subscriber while roaming in a visited system.

Call Delivery Method: The method by which a call is delivered to a subscriber in MSC-V.

Call Disconnect: The process of requesting the release of a connection between two or more network addresses.

Call Release: The process of relinquishing the facilities and circuits used for a call.

Call Termination: The process of connecting a subscriber to an incoming call.

Candidate MSC: This term is used during the handoff measurement request by the current serving MSC to reference the MSC that is being requested to provide its best CELL ID and SIGNAL QUALITY values.

Cell Site: The physical location of a cell's radio equipment and supporting systems. This term is also used to refer to the equipment located at the cell's site.

Clearinghouse: A service used for the exchange and management of information.

Data Communications: The digital transmission of information (other than voice).

Dialogue: A user interaction sequence composed of tones and announcements that may gather information.

Gateway MSC: See MSC-G.

Home System: The system which is transmitting the system identifier (SID) (see EIA/TIA-553-A) which is recognized by the MS as the "Home" system identifier (SID).

Inactive: The MS is not available for call delivery. The MS may not be registered. The MS may be registered, but is out of radio contact (e.g., missing autonomous registrations) or is intentionally inaccessible for periods of time (e.g., slotted mode, paging frame class, or sleep mode). An inactive MS may accept SMS message deliveries. This state is maintained by the MSC, the VLR and the HLR. (See also Active, Available, and Unavailable.)

Market Identification (MarketID): A unique market identifier that is specified by the service provider (e.g., FCC assigned SID, CIBERNET assigned BID – see TIA/EIA/TSB-29).

Mobile Assisted Handoff (MAHO): A process where handoff measurements are done by the MS under the control of the MSC and the base station (BS). The MSC and the base station retain control over when the handoff actually occurs.

Mobility: The ability to access services from any point in the network. The degree of service availability may depend on the access network capabilities, as well as any service level agreements between the user's home network and the visited network. Types of mobility include personal mobility, service mobility and terminal mobility.

Mobility Management: The set of functions used to manage a mobile user accessing a network other than that user's home network. These functions include communication with the home network for purposes of authentication, authorization, location updating and download of user information.

MSC-G: An MSC that is capable of the intersystem procedures, defined in this Recommendation, between entities in the network reference model so as to provide service.

MSC-H: The "home" MSC of an MS which is broadcasting the SID that is recorded in the MS's security and identification memory, and to which the MS's directory number is assigned.

MSC-V: A "visited" MSC in whose service area a roamer is operating.

Network Reference Model: The functional entities and the associated interface reference points that may logically comprise a cellular network. (See clause 6.)

Number Portability: A mechanism that allows a user to retain the same directory number, regardless of the subscribed-to service provider. Number portability may be limited to specific geographical areas. In the context of the all-IP network, the term "number portability" refers specifically to ITU-T E.164 numbers used for telephony.

Originating MSC: The MSC-H or MSC-G that initiates the call delivery procedures defined in this Recommendation.

Originating SMS Supplementary Service: Services or features that affect SMS message originations and are requested on a per message basis as supported by a particular teleservice, for example, delayed delivery or message distribution to a list of destinations.

Personal Mobility: The ability of users to change their association with one or more terminals at any point and time. The user should continue to receive subscribed and otherwise authorized services as supported by the current MS and access network.

Personalized Services: Services that need access to the subscriber profile and/or are dependent on the overall call/session state (of the user) for reasons of service interaction. An example: a call termination service such as TIA/EIA-41's "Call Forward on Busy".

Protocol Extension: A mechanism provided to allow systems with a common bilateral agreement to extend the TIA/EIA-41 protocol. There is a range of reserved error codes, operation codes, parameter identifiers (in addition to PRIVATE parameter identifiers), and ranges of values in enumerated parameter types and data fields. The only mechanism to resolve conflicting uses of protocol extension is to standardize their usage. The protocol extension mechanism is used at the risk of the implementation. Protocol extensions should not be used unless the message recipient is known to support them.

Radio Access Network: The network that connects radio base stations to the core network. The Radio access network (RAN) provides and maintains radio-specific functions, which may be unique to a given radio access technology, that allow users to access the core network.

Registered: The HLR has a pointer to a system serving a MS. A registered MS may be active or inactive.

Registration: The procedure by which a MS becomes listed as being present in the service area of a MSC.

Remote Feature Control Port (RFC Port): A terminating directory number supporting service profile modification.

Roamer Port: A terminating directory number supporting call delivery to mobile stations.

Roamer Service Profile: The specific set of features, capabilities and/or operating restrictions, other than financial accountability, associated with the subscriber.

Roamer Validation: That aspect of roamer service qualification dealing with financial accountability. Also, the general procedure by which a roamer's financial accountability is established.

Roaming: Action whereby users access services while outside of their subscribed home network.

Service Qualification: The service capabilities, features and privileges to which an MS is entitled. Also, the general procedure by which such service capabilities, features, and privileges become established in a MSC.

Serving MSC: The MSC which currently has the MS obtaining service at one of its cell sites within its coverage area.

Signalling: The information exchanged between the mobile station and the network, or within the network, for the purposes of service provision (e.g., connection establishment).

Switch Number (SWNO): A number uniquely identifying a particular switch (i.e., a group of cell sites and the associated switch resources) within a group of switches associated with a common MarketID.

Target MSC: The MSC which was selected from the candidate list as having the cell site with the best signal quality value for the MS during the location request function.

Temporary Local Directory Number (TLDN): A network address temporarily assigned for call setup.

Terminating SMS Supplementary Service: Services or features that affect SMS message terminations, for example, screening, forwarding, delivery to a MS, delayed delivery while roaming, or distribution to a group based upon a destination address.

Termination Address: One or more digits, as determined by the home system, which identify the terminating party. This could include speed call codes (when supported by the home service provider), other mobile telephone numbers or any valid world telephone number.

Traffic: The information generated by the subscriber that is transported on the network (i.e., user voice or data).

Unavailable: The MS cannot accept a normal call delivery (i.e., the MS is in an unknown location or it is in a state unable to accept call deliveries). The availability of a MS to accept a call delivery is maintained only by the MSC. (See also Active, Available, and Inactive.)

Unregistered: A state where the MS is unavailable for any type of termination event and the HLR pointer is not directed to any visited system.

Visited Network: The visited network is a carrier's network where a subscriber currently is roaming. The term visited network is more business significant, than geographically significant.

Visited System: From the MS's perspective, a system which is transmitting a SID which is not recognized by the MS as the "home" SID. From a network perspective, the system in which a MS is currently registered.

4 Abbreviations and acronyms

This Recommendation uses the following abbreviations:

1x RTT	1x Radio Transmission Technology
3G	Third Generation
3GPP2	Third Generation Partnership Project (ANSI driven)
AAA	Authentication, Authorization and Accounting
AC	Authentication Centre
ADS	Asynchronous Data Service
AGW	Access GateWay
AH	Answer Hold
AKA	Authentication and Key Agreement
ALL_IP	All IP
AMPS	Advanced Mobile Phone System
ANSI	American National Standards Institute
AoC	Advice of Charge

API	Application Programming Interface
ARIB	Association of Radio Industries and Businesses (Japan)
AS	Application Server
AT	Access Terminal
BCMCS	Broadcast-Multicast Services
BCSM	Basic Call State Model
BGCF	Breakout Gateway Control Function
BID	Billing ID
BS	Base Station
BSC	Base Station Controller
CAN	Converged Access Network
CCF	Call Control Function
CDCP	Call Data Collection Point
CDGP	Call Data Generation Point
CDIS	Call Data Information Source
CDMA	Code Division Multiple Access
CDRP	Call Data Rating Point
CF	Collection Function
CMIP	Client Mobile IP
CN	Core Network
CNAP	Calling Name Presentation
CNAR	Calling Name Restriction
CNIP	Calling Number Identification Presentation
CRDB	Coordinate Routing DataBase
CS	Circuit-Switched
CSC	Customer Service Centre
CSCF	Call Session Control Functions
CWTS	China Wireless Telecommunication Standard Group
DF	Delivery Function
DFP	Distributed Functional Plane
DMH	Data Message Handler
DP	Data Privacy
DP	Detection Point
DSA	Data Subscriber Authentication
DTMF	Dual Tone Multi-Frequency
E2E	End-to-End
eBS	evolved Based Station

ECR	Electronic Cash Register
eHRPD	evolved High Rate Packet Data
EIA	Electronics Industry Association
EIR	Equipment Identity Register
EMS	Enhanced Message Service
ePDIF	evolved Packet Data Interworking Function
ESN	Electronic Serial Number
ESP	Encapsulating Security Payload
FAM	Field Asset Management
FCC	Federal Communications Commission
FFMS	File Format for Multimedia Services
FPH	Free Phone
FPLMTS	Future Public Land Mobile Telecommunications Systems – now IMT–2000
G3 FAX	Group 3 Facsimile Service
GBA	Generic Bootstrapping Architecture
GECO	Global ECO (Emergency Call Origination)
GSM	Formerly: Group Special Mobile. Now: Global System for Mobile Communications
HA	Home Agent
HHS	Home Subscriber Server
HLR	Home Location Register
HRPD	High Rate Packet Data
IAP	Intercept Access Point
IETF	Internet Engineering Task Force
IM	Immediate Messaging
IM	IP Multimedia
IM	IP Multimedia Call Model
IMS	IP Multimedia Subsystem
IMSI	International Mobile Subscriber Identity
IMT	International Mobile Telecommunications
IMT–2000	International Mobile Telecommunications–2000
IOS	InterOperability Specification
IOTA	IP Over-The-Air
IOTA HCM	Internet based Over-the-Air Handset Configuration Management
IP	Intelligent Peripheral
IP	Internet Protocol
IRP	Integrated Routing Protocol
IS	Interim Standard

ISDN	Integrated Services Digital Network
ISIM	IP Multimedia Services identity Module
ISLP	InterSystem Link Protocol
IWF	InterWorking Function
LBC	Location Based Computing
LBIS	Location Based Information Service
LBSS	Location Based Services System
LMA	Local Mobility Agent
LMSD	Legacy Mobile Station Domain
LPDE	Local Position Determining Entity
MAP	Mobile Application Part
MC	Message Centre
MC	Multi-Carrier
MDN	Mobile Directory Number
ME	Mobile Equipment
MEID	Mobile Equipment IDentifier
MGCF	Media Gateway Control Function
MGW	Media GateWay
MIP4	Mobile IPv4
MIP6	Mobile IPv6
MM	Multimedia Message
MMD	MultiMedia Domain
MMS	Multimedia Messaging Service
MPC	Mobile Position Centre
MRFC	Media Resource Function Controller
MRFP	Media Resource Function Processor
MS	Mobile Station
MSC	Mobile Switching Centre
MSID	Mobile Station IDentifier
MWNE	Managed Wireless Network Entity
NAM	Network Architecture Model
NAMPS	Narrowband Advanced Mobile Phone Service
NE	Network Entity
NPDB	Number Portability DataBase
NRM	Network Reference Model
OAM&P	Operations, Administration, Maintenance and Provisioning
OSA	Open Service Architecture

OSF	Operations System Function
OTAF	Over-the-Air Function
OTAPA	Over-the-Air Parameter Administration
OTASP	Over-the-Air Service Provisioning
P-CSCF	Proxy Call Session Control Function
PCF	Packet Control Function
PCRF	Policy and Charging Rules Function
PDE	Position Determining Entity
PDF	Policy Decision Function
PDN	Packet Data Network
PDS	Packet Data Surveillance
PDSN	Packet Data Serving Node
PIN	Personal Identification Number
PL	Preferred Language
PMIP	Proxy Mobile IP
PN	Project Number
PPC	Pre-Paid Charging
PPP	Point-to-Point Protocol
PPS	Pre-Paid Server
PSTN	Public Switched Telephone Network
QoS	Quality of Service
R-UIM	Removable User Identity Module
RADIUS	Remote Authentication Dial in User Service
RAN	Radio Access Network
RDV	Roamer Database Verification
RUAC	Rejection of Undesired Annoying Calls
RUIM	Removable User Identity Module
SC	Subscriber Confidentially
SCF	Service Control Function
SCG	System Capability Guide
SCP	Service Control Point
SCS	Service Capability Server
SDO	Standards Development Organization
SDP	Session Description Protocol
SID	System IDentifier
SIP	Session Initiation Protocol
SME	Short Message Entity

SMS	Service Management System
SMS	Short Message Service
SMTP	Simple Mail Transfer Protocol
SN	Service Node
SRG	System Release Guide
SRNC	Session Reference Network Controller
SS7	Signaling System No. 7
SSF	Service Switching Function
TDMA	Time Division Multiple Access
TFO	Tandem Free Operation
TI	Terminating Identification
TIP	Termination Identification Presentation
TIR	Terminating Identification Restriction
TMSI	Temporary Mobile Station Identification
TrFO	Transcoder Free Operation
TSG	Technical Specification Group
TTA	Telecommunications Technology Association (Korea)
TTC	Telecommunication Technology Committee (Japan)
UE	User Equipment
UICC	Universal Integrated Circuit Card
UIM	User Identity Module
UMB	Ultra Mobile Broadband
USCF	User Selective Call Forwarding
UTRAN	UMTS Terrestrial Radio Access Network
VASP	Value-Added Service Provider
VLR	Visitor Location Register
VSA	Vendor Specific Attribute
VT	Video Telephony
WiMAX	Worldwide interoperability for Microwave Access
WIN	Wireless Intelligent Network
WLAN	Wireless Local Area Network
WLL	Wireless Local Loop
WNE	Wireless Network Entity

5 Introduction

The core network for cdma2000 is based on an evolved ANSI-41 2nd generation mobile system. The core network technical specifications have been developed in a third generation partnership project (approved in 3GPP2 as of 31 January 2010) and transposed to the involved regional standards development organizations (SDOs). The system will support different applications ranging from narrow-band to wideband communications capability with integrated personal and terminal mobility to meet the user and service requirements.

The core network interfaces identified in this Recommendation and the radio interfaces and radio access network interfaces identified in Recommendation ITU-R M.1457 constitute a complete system specification for the third generation mobile system for terrestrial usage of this IMT-2000 family member.

The descriptions in clauses 6, 7 and 8, and the descriptions of the technical specifications listed in clause 10 are for informative purposes only. Normative information is in the tables for the respective specification.

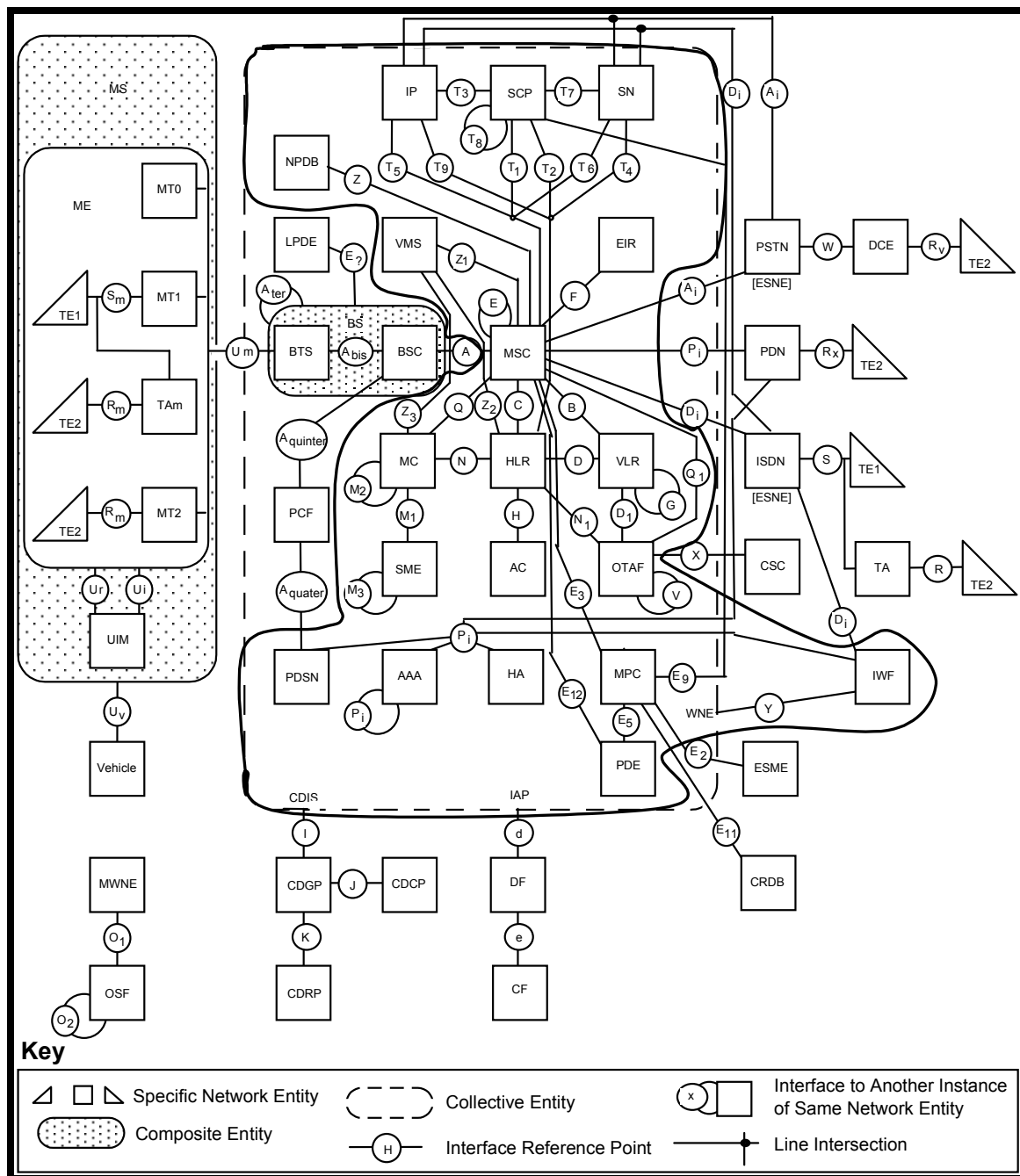
6 Basic architecture for the ANSI-41 evolved core network with cdma2000 access network family member

The basic architecture for the ANSI-41 evolved core network with cdma2000 access network family member includes a circuit-based and packet-based core network and an all-IP multimedia domain.

The following text is based on reference [12 a-d], clause 2.1.

Figure 6-1 presents the network entities and associated reference points that comprise the ANSI-41 evolved core network with cdma2000 access network. The network entities are represented by squares, triangles and rounded corner rectangles; circles represent the reference points. The network reference model in this Recommendation is the compilation of several reference models currently in use.

- The network reference model is a functional block diagram;
- A network entity represents a group of functions, not a physical device. For example, a mobile switching centre (MSC) is a physical device; it comprises frames, shelves, circuit packs, etc. The physical device may comprise a single network entity such as the MSC, or it may comprise some combination such as the MSC, the visitor location register (VLR), the home location register (HLR) and the authentication centre (AC). The physical realization is an implementation issue; a manufacturer may choose any physical implementation of network entities, either individually or in combination, as long as the implementation meets the functional requirements. Sometimes, for practical reasons, the functional network entity is a physical device. The mobile station (MS) is an excellent example;
- A Reference point is a conceptual point that divides two groups of functions. It is not necessarily a physical interface. A Reference point only becomes a physical interface when the network entities on either side of it are contained in different physical devices;
- A "collective entity" contains encompassed network entities that are an instance of the collective;
- A "composite entity" contains encompassed network entities that are part of the composite.



NOTE – The portion of the figure within the solid line is the core network.

Figure 6-1 – ANSI-41 evolved core network with cdma2000 access network reference model

The basic architecture for the ANSI-41 evolved core network with cdma2000 access network family member also includes an all-IP multimedia domain. The following text is based on reference [13 a-c], clause 2.1.

All-IP multimedia domain (MMD) core network architecture:

Figure 6-2 presents the core network entities and associated reference points that comprise the MMD of the wireless all-IP network architecture model. The network entities are represented by squares and rectangles; the interfaces between network entities are reference points identified by numbers. Figure 6-2 includes several reference points that have dual labels. Either of these labels may be used in the specifications relating to these reference points.

NOTE 1 – In Figure 6-2, the network elements and the reference points that are shaded and in bold identify the IP MMD core network.

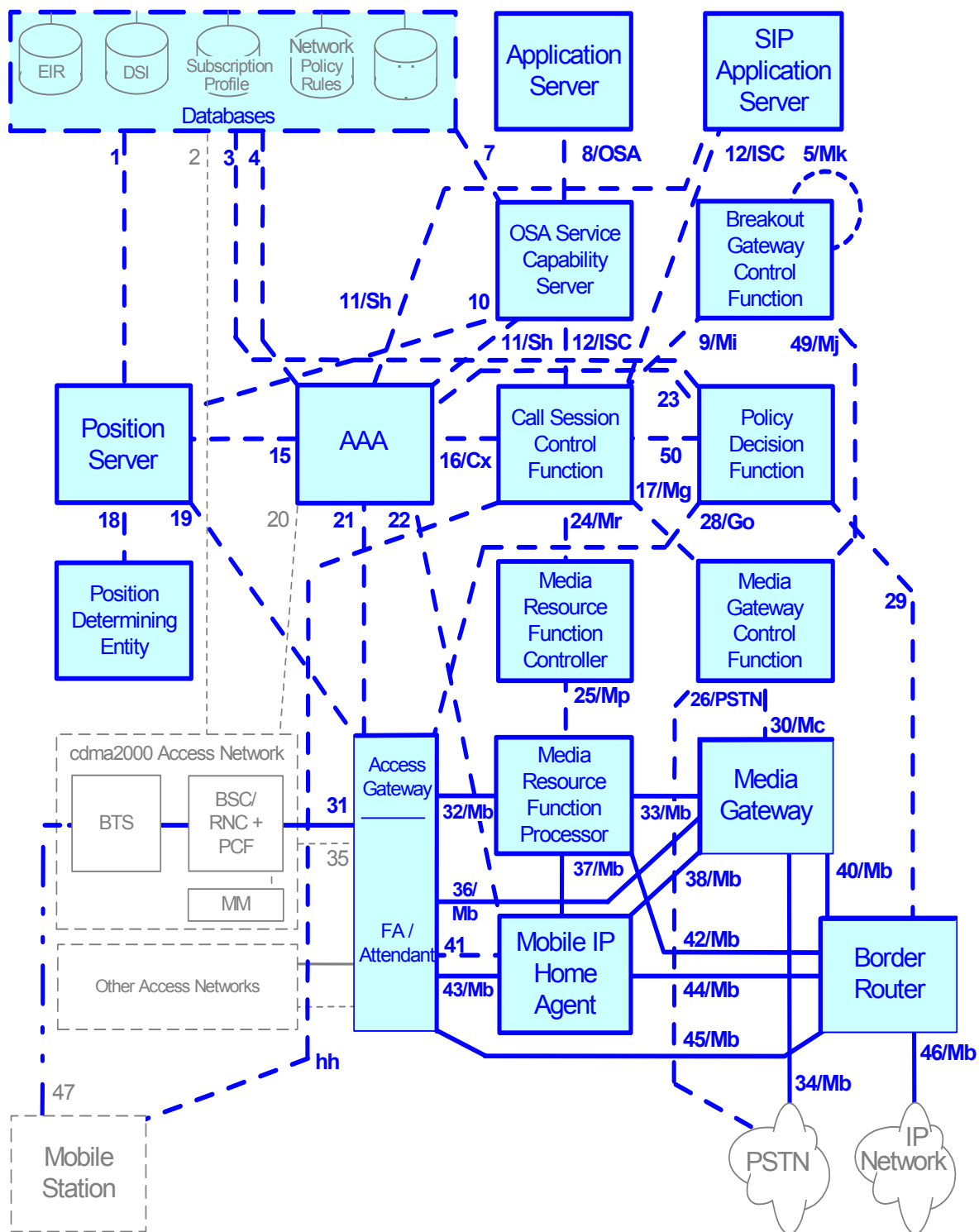


Figure 6-2 – ANSI-41 evolved core network with cdma2000 access network IP MMD core network architecture model

The MMD of the all-IP network offers both general packet data support and multimedia session capabilities. The multimedia session capabilities are built on top of the general packet data support capabilities. The general packet data capabilities may be deployed without the multimedia session capabilities. Some network entities are common to providing both capabilities.

Figure 6-3 shows the entities that comprise the general packet data support portion of the MMD core network. These are known collectively as the packet data subsystem (PDS). Figure 6-3

includes several reference points that have dual labels. Either of these labels may be used in the specifications relating to these reference points.

NOTE 2 – In Figure 6-3, the network elements and the reference points that are shaded and in bold identify the packet data subsystem.

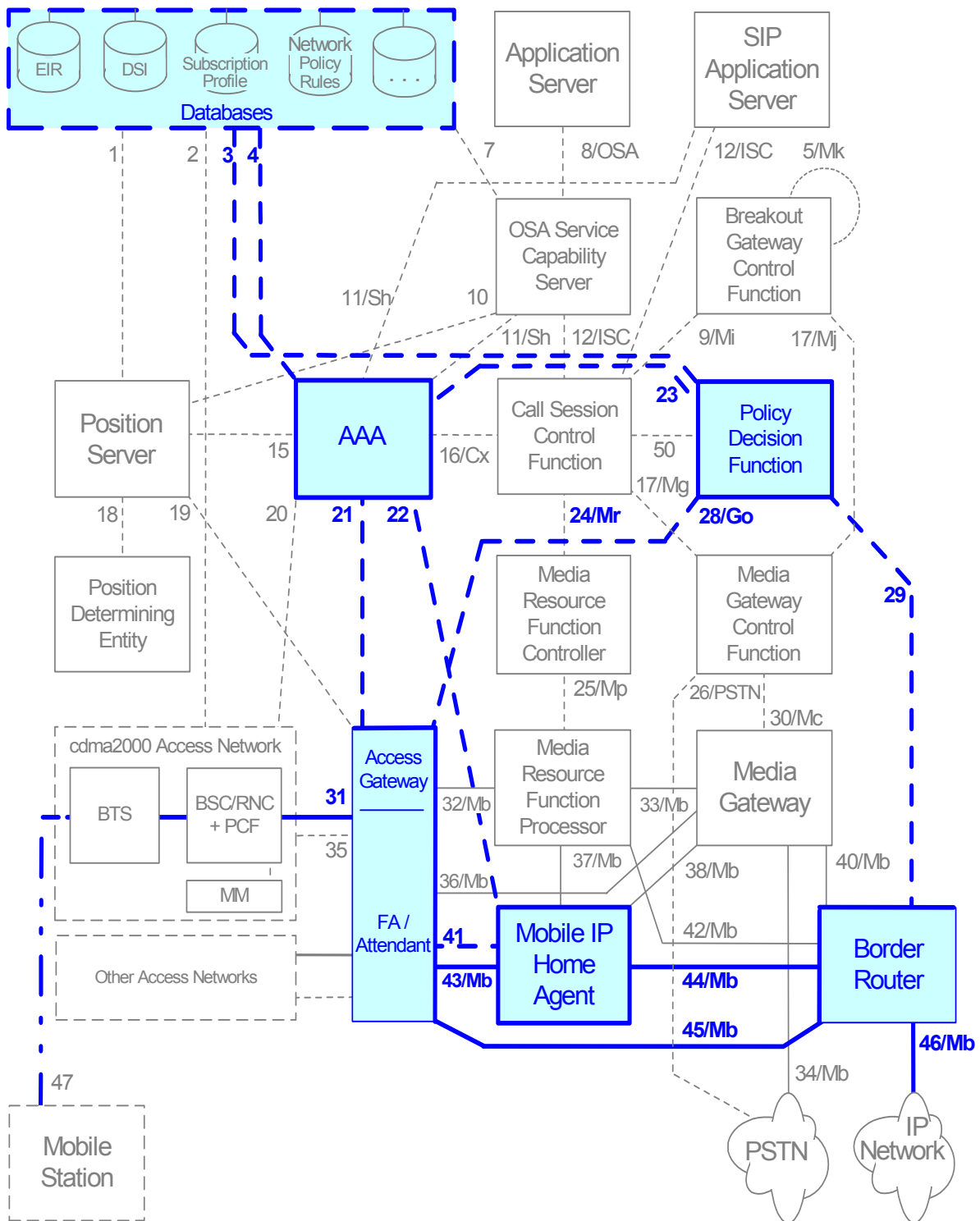


Figure 6-3 – ANSI-41 evolved core network with cdma2000 access network packet data subsystem core network architecture model

Figure 6-4 shows the entities that comprise the multimedia session capabilities of an all-IP network. These entities are known collectively as the IP multimedia session subsystem (IMS). Figure 6-4 includes several reference points that have dual labels. Either of these labels may be used in the specifications relating to these reference points.

NOTE 3 – In Figure 6-4, the IP multimedia session subsystem is identified by the network elements and reference points that are shaded and in bold.

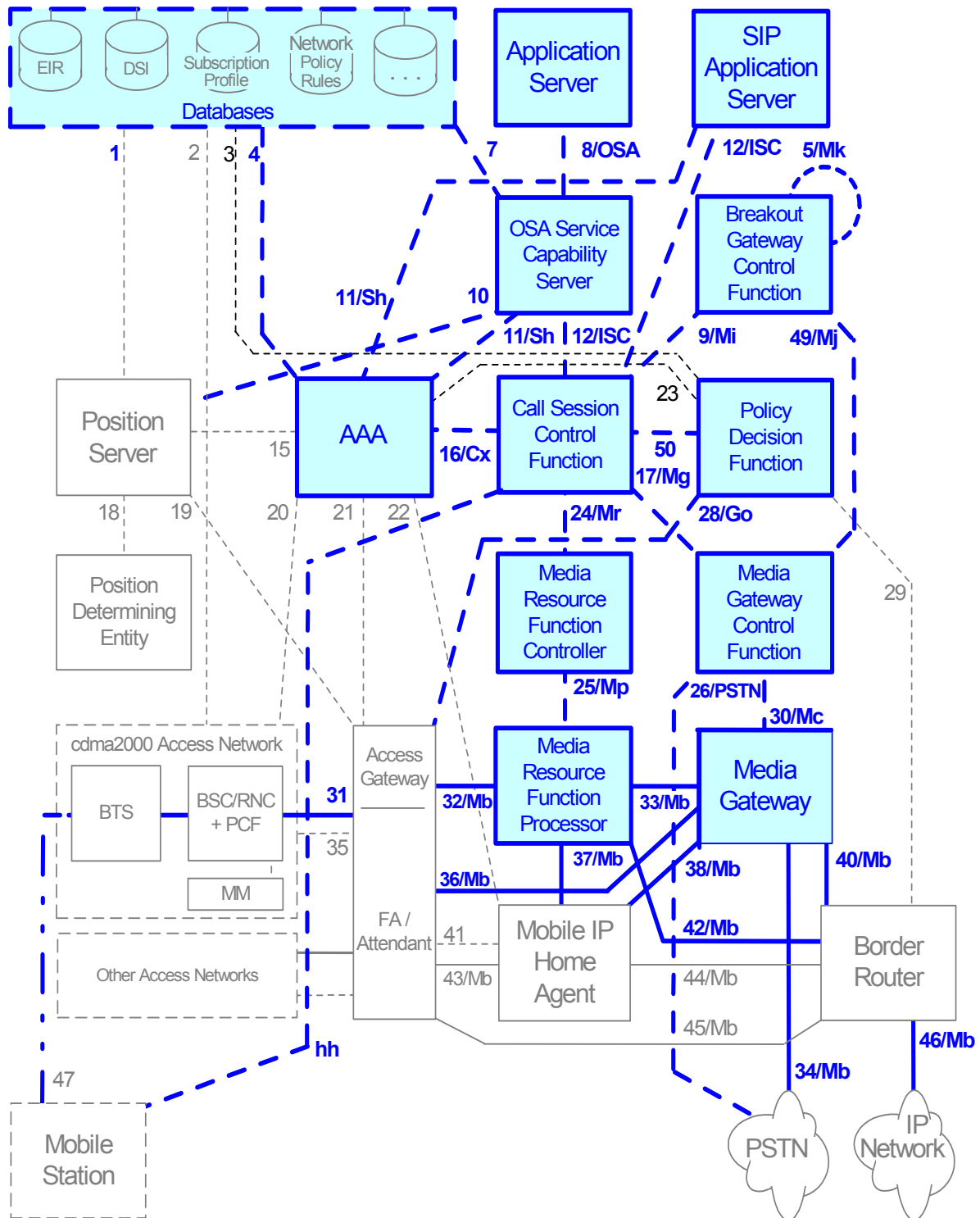


Figure 6-4 – ANSI-41 evolved core network with cdma2000 access network IP multimedia session subsystem core network architecture model

The session control functions within the IMS are logically interconnected in various ways in the session scenarios. Figure 6-5 identifies the reference points within the IMS between these session control entities. In many cases, there are dual labels for these reference points either of which may be used in the applicable specifications.

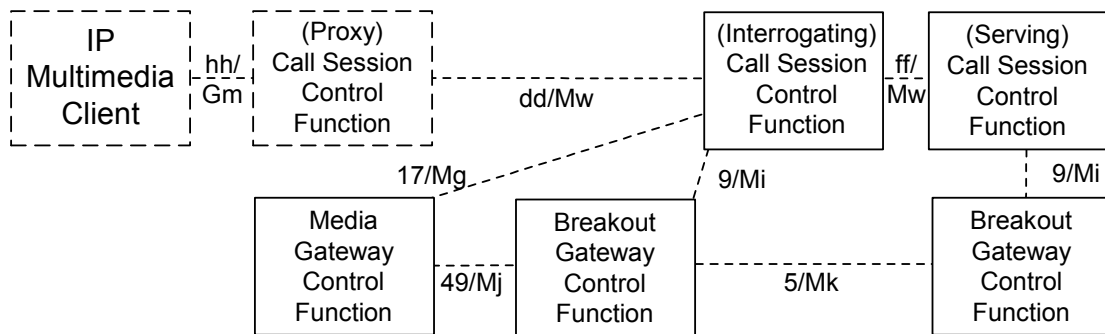


Figure 6-5 – Session control reference model

Figure 6-6 shows the network reference model for the converged access network (CAN) for the non-roaming case. This system supports access via the ultra mobile broadband (UMB) air interface.

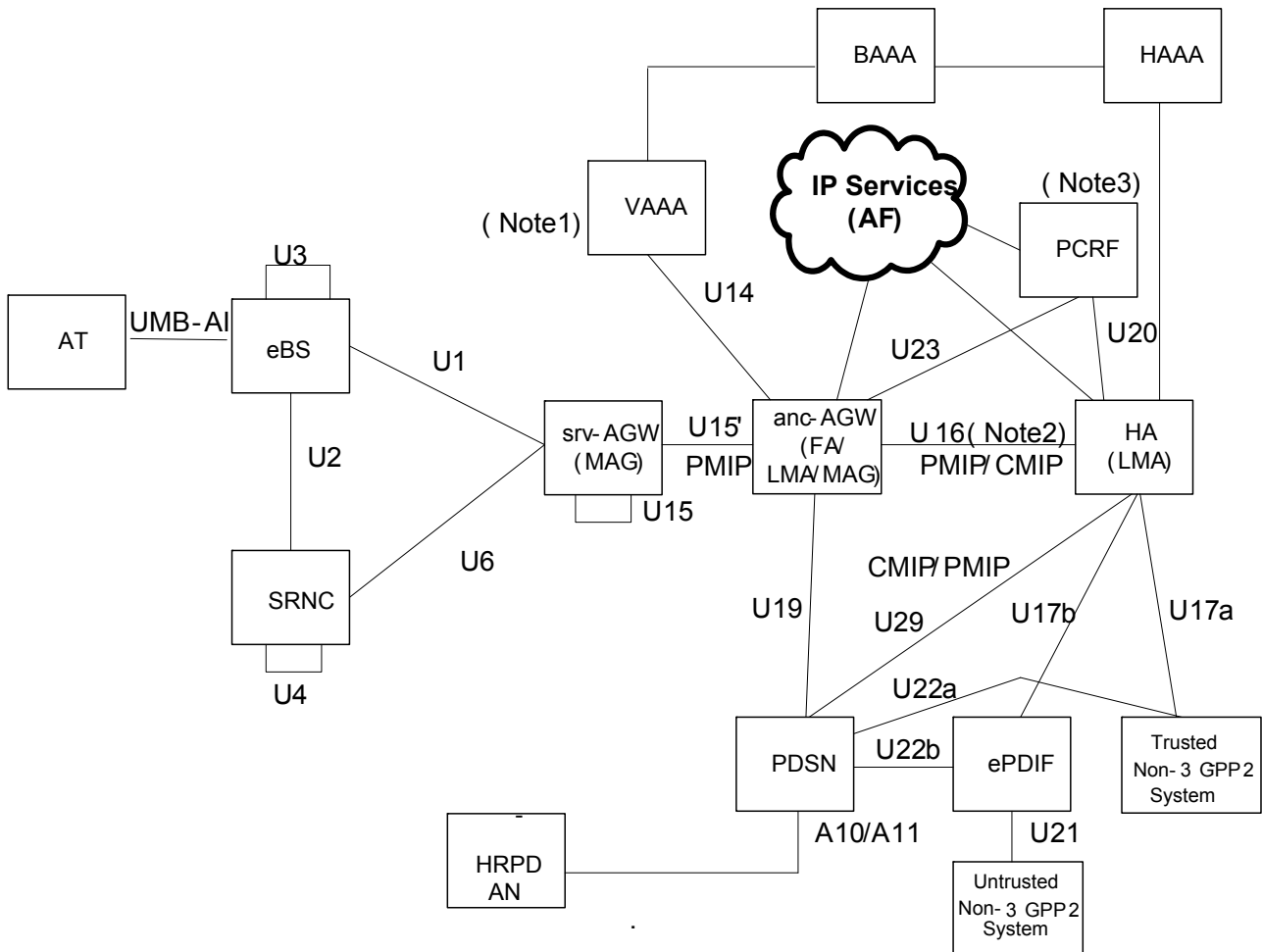


Figure 6-6 – Converged access network reference model, non-roaming

Figure 6-7 shows the network reference model for the converged access network (CAN) for the roaming case.

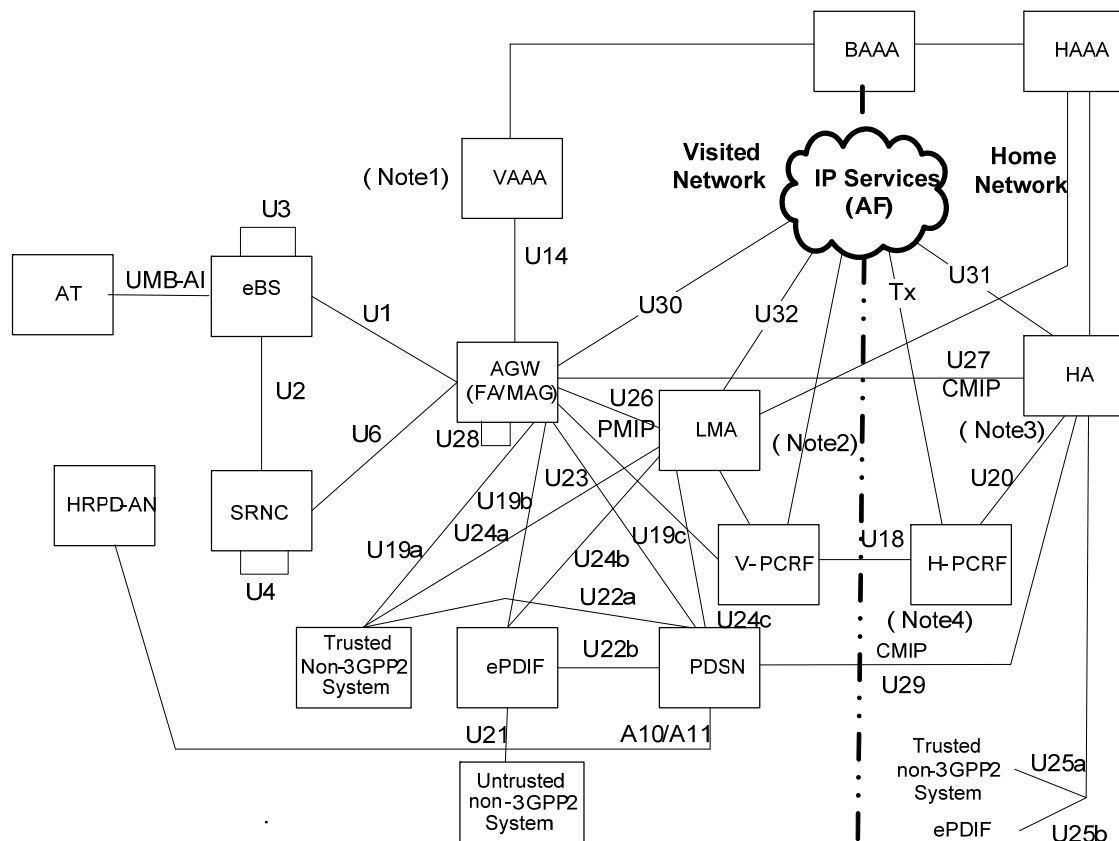


Figure 6-7 – Converged access network reference model, roaming

7 Network entities

7.1 Authentication, authorization and accounting

The AAA is an entity that provides IP based authentication, authorization and accounting. The AAA maintains security associations with peer AAA entities to support intra- and/or inter-administrative domain AAA functions.

- The authentication function provides authentication of users;
- the authorization function of AAA provides authorization of service requests based on subscriber profiles and network policy. It also generates keys required for establishing security associations between packet data serving nodes (PDSNs) in access provider networks and home agents (HAs) in home IP networks.

The accounting function gathers accounting data concerning the services used by individual subscribers.

7.2 Authentication centre

The AC is an entity that manages the authentication information related to the MS. The AC may, or may not be located within, and be indistinguishable from an HLR. An AC may serve more than one HLR.

7.3 Call data collection point

The CDCP is the entity that collects the call detail information.

7.4 Call data generation point

The CDGP is an entity which provides call detail information to the CDCP (in ANSI-124 format). This may be the entity that converts call detail information from a proprietary format into a standard format. All information from the CDGP to the CDCP must be in this standard format.

7.5 Call data information source

The CDIS is an entity that can be the source of call detail information. This information may be in proprietary format. It is not required to be in the standard format.

7.6 Call data rating point

The CDRP is the entity that takes the unrated call detail information and applies the applicable charge and tax related information. The charge and tax information is added using the standard format.

7.7 Collection function – [Intercept]

The CF is an entity that is responsible for collecting intercepted communications for a lawfully authorized law enforcement agency.

The CFs typically include:

- The ability to receive and process call contents information for each intercept subject;
- The ability to receive information regarding each intercept subject (e.g., call associated or non-call associated) from the delivery function and process it.

7.8 Coordinate routing database

The CRDB is an entity that stores information to translate a given position expressed as a latitude and longitude to a string of digits.

7.9 Customer service centre

The CSC is an entity where service provider representatives receive telephone calls from customers wishing to subscribe to initial wireless service or request a change in the customer's existing service. The CSC interfaces proprietarily with the over-the-air-function (OTAF) to perform network and MS related changes necessary to complete the service provisioning request.

7.10 Delivery function – [Intercept]

The DF is an entity that is responsible for delivering intercepted communications to one or more collection functions.

The DFs typically include:

- the ability to accept call contents for each intercept subject over one or more channels from each access function;
- the ability to deliver call contents for each intercept subject over one or more channels to a collection function as authorized for each law enforcement agency;
- the ability to accept information over one or more data channels and combine that information into a single data flow for each intercept subject;
- the ability to filter or select information on an intercept subject before delivery to a collection function as authorized for a particular law enforcement agency;
- the optional ability to detect audio in-band DTMF digits for translation and delivery to a collection function as authorized for a particular law enforcement agency;

- the ability to duplicate and deliver information on the intercept subject to one or more collection functions as authorized for each law enforcement agency;
- the ability to provide security to restrict access.

7.11 Equipment identity register

The EIR is an entity that is the register to which user equipment identity may be assigned for record purposes. The nature, purpose, and utilization of this information is an area for further study.

7.12 Evolved packet data interworking function

The ePDIF is an interworking function for connectivity between a 3GPP2 network and an untrusted non-3GPP2 network (for example, WiFi AP).

7.13 Home agent

The HA is an entity that:

- authenticates mobile IP registrations from the MS;
- redirects packets to the foreign agent component of the PDSN, and optionally receives and routes reverse packets from the foreign agent component of the PDSN;
- may establish, maintain and terminate secure communications to the PDSN;
- receives provisioning information from the AAA function for users;
- may assign a dynamic home IP address.

Depending on the architectural configuration, the HA may include the local mobility agent (LMA).

7.14 Home location register

The HLR is the location register to which a user identity is assigned for record purposes such as subscriber information (e.g., electronic serial number (ESN), mobile directory number (MDN), profile information, current location, authorization period).

7.15 Intelligent peripheral

The IP is an entity that performs specialized resource functions such as playing announcements, collecting digits, performing speech-to-text or text-to-speech conversion, recording and storing voice messages, facsimile services, data services, etc.

7.16 Intercept access point

The IAP is an entity that provides access to the communications to or from the equipment, the facilities or the services of an intercept subject.

7.17 Interworking function

The IWF is an entity that provides information conversion for one or more WNEs. An IWF may have an interface to a single WNE providing conversion services. An IWF may augment an identified interface between two WNEs, providing conversion services to both WNEs.

7.18 IP services

IP services comprise any IP-based services provided by the operator or third party. This may be part of the Internet or a closed network.

7.19 Local position determining entity

The LPDE facilitates the determination of the position or geographical location of a wireless terminal. Each LPDE supports one or more position determining technologies. Multiple LPDEs using the same technology may serve the coverage area of a mobile position centre (MPC) and the multiple LPDEs, each using a different technology may serve the same coverage area of a MPC. Local PDEs reside at the base station (BS).

7.20 Managed wireless network entity

A MWNE (within the collective entity) or any specific network entity having operation system wireless management needs, including another operations system.

7.21 Message centre

The MC is an entity that stores and forwards short messages. The MC may also provide supplementary services for short message service (SMS).

7.22 Mobile position centre

The MPC selects a PDE to determine the position of a mobile station. The MPC may restrict access to position information (e.g., require that the MS be engaged in an emergency call or only release position information to authorized network entities).

7.23 Mobile switching centre

The MSC switches circuit mode MS originated or MS terminated traffic. A MSC is usually connected to at least one BS. It may connect to the other public networks (PSTN, ISDN, etc.), other MSCs in the same network, or MSCs in different networks. The MSC may store information to support these capabilities.

7.24 Number portability database

The NPDB is an entity which provides portability information for portable directory numbers.

7.25 Over-the-air service provisioning function

The OTAF is an entity that interfaces proprietarily to CSCs to support service provisioning activities. The OTAF interfaces with the MSC to send MS orders necessary to complete service provisioning requests.

7.26 Packet data network

A PDN, such as the Internet, provides a packet data transport mechanism between processing network entities capable of using such services.

7.27 Packet data serving node

The PDSN routes MS originated or MS terminated packet data traffic. The PDSN establishes, maintains, and terminates link layer sessions to MSs. The PDSN may interface to one or more MSs and may interface to one or more PDNs.

7.28 Position determining entity

A PDE facilitates determination of the position or geographical location of a wireless terminal. Each PDE supports one or more position determining technologies. Multiple PDEs using the same technology may serve the coverage area of a mobile position centre (MPC) and the multiple PDEs each using a different technology may serve the same coverage area of a MPC.

7.29 Service control point

The SCP is an entity that acts as a real-time database and transaction processing system that provides service control and service data functionality.

7.30 Service node

The SN is an entity that provides service control, service data, specialized resources and call control functions to support bearer-related services.

7.31 Short message entity

The SME is an entity that composes and decomposes short messages. A SME may, or may not, be located within, and be indistinguishable from, an HLR, MC, VLR, MS, or MSC.

7.32 Visitor location register

The VLR is the location register other than the HLR used by a MSC to retrieve information for handling of calls to or from a visiting subscriber. The VLR may, or may not, be located within, and be indistinguishable from an MSC. The VLR may serve more than one MSC.

7.33 Voice message centre

A VMS stores received voice messages, data messages, e.g., email, or both message types, and supports a method to retrieve previously stored messages. A VMS may also support (on a directory number basis) notification of the presence of stored messages and notification of a change in the number of voice messages, data messages, or both message types that are waiting retrieval.

7.34 Wireless network entity

A network entity in the wireless collective entity.

The remaining text in this clause is based on reference [13 a-c], clause 2.1.

7.35 Access gateway

The access gateway (AGW) is an entity that provides the user's "point of IP connectivity" to the network. That is, the AGW is in effect the first-hop router for the mobile terminal. The AGW performs layer 3 services and above, including hot-lining, accounting, policy enforcement, etc.

7.36 Access terminal

The access terminal is the subscriber device supported by the network.

7.37 Application server

ASs provide value-added network-based services for wireless subscribers. These services may be accessed via the OSA service capability server (OSA-SCS) or accessed directly from the user's mobile station via other network entities, by-passing the OSA-SCS.

7.38 Authentication, authorization and accounting

The AAA is an entity that provides IP-based authentication, authorization and accounting. The AAA maintains security associations with peer AAA entities to support intra- and/or inter-administrative domain AAA functions.

- The authentication function is an entity that provides authentication of terminal devices and subscribers;

- the authorization function of AAA provides authorization of requests for services and/or bandwidth, etc. and has access to the policy repository, the directory services, the subscriber's profiles, and the device register;
- the accounting function gathers data concerning the services, QoS, and multimedia resources requested and used by individual subscribers.

7.39 Border router

The BR connects the core network with peer networks (e.g., other service providers, corporate networks, Internet). The BR performs IP packet routing, exterior gateway routing protocols, and policing of incoming and outgoing traffic, ensuring traffic complies with the defined service level agreements established with peer networks. The BR may intercept any QoS allocation request, and issue a request to the policy decision function (PDF), which shall verify that the requested inbound and/or outbound QoS is available. A successful response from the PDF may cause the BR to forward the bandwidth allocation request to its final destination.

7.40 Breakout gateway control function

The BGCF selects the network in which PSTN breakout is to occur and, within the network where the breakout is to occur, selects the MGCF.

7.41 Call session control function

The CSCF establishes, monitors, supports, releases multimedia sessions, and manages the user's service interactions.

7.42 Databases

The information in the core network DBs may include, but is not limited to, EIR, dynamic subscriber information, network policy rules and subscriber profile data.

7.43 Evolved base station

The evolved base station (eBS) provides the over-the-air signaling and user data transport that is used by the access terminal (AT) for connectivity to the radio access network.

7.44 IP multimedia client

The IP multimedia client communicates with application servers, P-CSCFs, and other IP multimedia clients. The IP multimedia client is an application that resides in the MS.

7.45 IP network

The IP network corresponds to IP-based packet data networks that provide a transport mechanism between the core network and external IP networks. The IP network represents packet networks connected to the core network including the public Internet, private IP backbone networks and private IP networks such as corporate Intranets.

7.46 Local mobility anchor

The local mobility anchor is the home agent for the mobile node in the proxy mobile IPv6 domain. It is the topological anchor point for the mobile node's home prefix and is the entity that manages the mobile node's reachability state.

7.47 Media gateway

The MGW provides an interface between the packet environment of the core network and the circuit switched environment of the PSTN for bearer traffic, when equipped with circuit

capabilities. The MGW may provide vocoding and/or transcoding functions to the bearer traffic. The MGW may also provide modem functions to convert digital byte streams to and from audio modem tones placed on circuits, and may provide the capability to terminate PPP (Point-to-Point Protocol) connections. It also provides policy enforcement relative to its activities and resources.

7.48 Media gateway control function

The MGCF provides the ability to control a media gateway through standardized interfaces. Such control includes allocation and deallocation of resources of the media gateway, as well as modification of the usage of those resources.

7.49 Media resource function controller

The MRFC, in conjunction with the media resource function processor (MRFP), provides a set of resources within the core network that are useful in supporting services to subscribers. The MRFC, in conjunction with the MRFP, provides multi-way conference bridges, announcement playback services, tone playback services, etc.

7.50 Media resource function processor

The MRFP, in conjunction with the controlling entity, provides multi-way conference bridges, announcement playback services, tone playback services, etc.

7.51 Mobile IP home agent

The HA provides two major functions: registering the current point of attachment of the user, and forwarding of IP packets to and from the current point of attachment (IPv4 care of address (CoA) and/or IPv6 Co-located (CoA)) of the user. The HA accepts registration requests using the mobile IP protocol and uses the information in those requests to update internal information about the current point of attachment of the user, i.e., the current IP address to be used to transmit and receive IP packets to and from that user. The HA interacts with the AAA to receive mobile IP registration requests that have been authenticated, and to return mobile IP registration responses. The HA also interacts with the access gateway (AGW) to receive subsequent mobile IP registration requests. The HA may interact with several network entities in performing its work of forwarding IP packets to the current point of attachment of the user.

7.52 Mobile station

The MS is a wireless terminal used by subscribers to access the legacy MS domain or the IP multimedia domain services over a radio interface. MSs include portable units (e.g., hand-held units), units installed in vehicles, and somewhat paradoxically, fixed location MSs. The MS is the interface equipment used to terminate the radio path at the subscriber. A MS is a ME with a programmed user identity module (UIM).

7.53 Non-3GPP2 system

A non-3GPP2 system may be trusted or untrusted. The AT accesses an operator's network via an ePDIF if the access network is untrusted, and the AT accesses an operator's network directly (i.e., without an ePDIF) if the access network is trusted.

7.54 OSA service capability server

The OSA-SCS provides access to network resources needed during service application execution. The interface towards the application server uses application programming interfaces such as open service architecture (OSA). The interfaces towards other network entities use the relevant protocols.

7.55 Policy decision function

The PDF provides management of core network QoS resources within its own core network necessary to support services to network users. It communicates with the access gateway to provide authorization of resource allocations. The PDF makes policy decisions with regard to use of core network QoS resources within its own network, including consideration of service level agreements (SLAs [NOTE – The maintenance of SLAs is for further study.]). QoS policy information for network resource utilization may be forwarded to and cached by the PDF.

7.56 Position determining entity

The PDE communicates with the position server to determine the precise geographic position of the MS based on input data provided by the position server.

7.57 Position server

The position server provides geographic position information to requesting entities.

7.58 Public switched telephone network

The PSTN is defined in accordance with the appropriate applicable national and regional standards.

7.59 Proxy mobile agent or mobile access gateway

The proxy mobile agent (or mobile access gateway) is a function that manages the mobility related signaling for a mobile node that is attached to its access link. It is responsible for tracking the mobile node's attachment to the link and for signaling the mobile node's local mobility anchor. PMA is PMIP4 term and MAG is PMIP6 term.

7.60 Policy and charging rules function

The PCRF provides rules to the AGW over the U23 Reference point for quality of service and charging control.

7.61 Session reference network controller

The SRNC is responsible for maintaining the session reference with the AT. The SRNC is also responsible for supporting idle state management of the AT, and providing paging control functions when the AT is idle. The SRNC contains a session anchor access network route instance (ANRI) for each AT it is supporting.

8 Reference points

The following text is based on reference [12 a-d], clause 2.1.2.

8.1 Reference point B

Reference point B is the interface between the MSC and the VLR.

8.2 Reference point C

Reference point C is the interface between the MSC and the HLR.

8.3 Reference point D

Reference point D is the interface between the VLR and the HLR.

8.4 Reference point d

Reference point d is the interface between an IAP and the DF.

8.5 Reference point D₁

Reference point D₁ is the interface between the OTAF and the VLR.

8.6 Reference point D_i

Reference point D_i is the interface between:

- the IP and the ISDN;
- the IWF and the ISDN;
- the MSC and the ISDN [ESBE];
- the SN and the ISDN.

8.7 Reference point E

Reference point E is the interface between the MSC and the MSC.

8.8 Reference point E₃

Reference point E₃ is the interface between the MPC and the MSC.

8.9 Reference point E₅

Reference point E₅ is the interface between the MPC and the PDE.

8.10 Reference point E₉

Reference point E₉ is the interface between the MPC and the SCP.

8.11 Reference point E₁₁

Reference point E₁₁ is the interface between the CRDB and the MPC.

8.12 Reference point E₁₂

Reference point E₁₂ is the interface between the MSC and the PDE.

8.13 Reference point e

Reference point e is the interface between the CF and the DF.

8.14 Reference point F

Reference point F is the interface between the MSC and the EIR.

8.15 Reference point G

Reference point G is the interface between the VLR and the VLR.

8.16 Reference point H

Reference point H is the interface between the HLR and the AC.

8.17 Reference point I

Reference point I is the interface between the CDIS and the CDGP.

8.18 Reference point J

Reference point J is the interface between the CDGP and the CDCP.

8.19 Reference point K

Reference point K is the interface between the CDGP and the CDRP.

8.20 Reference point L

Reserved.

8.21 Reference point M₁

Reference point M₁ is the interface between the SME and the MC.

8.22 Reference point M₂

Reference point M₂ is the MC to MC interface.

8.23 Reference point M₃

Reference point M₃ is the SME to SME interface.

8.24 Reference point N

Reference point N is the interface between the HLR and the MC.

8.25 Reference point N₁

Reference point N₁ is the interface between the HLR and the OTAF.

8.26 Reference point O₁

Reference point O₁ is the interface between a MWNE and the OSF.

8.27 Reference point O₂

Reference point O₂ is the interface between an OSF and the OSF.

8.28 Reference point P_i

Reference point P_i is the interface between:

- the AAA and the AAA;
- the AAA and the PDN;
- the IWF and the PDN;
- the MSC and the PDN;
- the PDSN and the PDN.

8.29 Reference point Q

Reference point Q is the interface between the MC and the MSC.

8.30 Reference point Q₁

Reference point Q₁ is the interface between the MSC and the OTAF.

8.31 Reference point T₁

Reference point T₁ is the interface between the MSC and the SCP.

8.32 Reference point T₂

Reference point T₂ is the interface between the HLR and the SCP.

8.33 Reference point T₃

Reference point T₃ is the interface between the IP and the SCP.

8.34 Reference point T₄

Reference point T₄ is the interface between the HLR and the SN.

8.35 Reference point T₅

Reference point T₅ is the interface between the IP and the MSC.

8.36 Reference point T₆

Reference point T₆ is the interface between the MSC and the SN.

8.37 Reference point T₇

Reference point T₇ is the interface between the SCP and the SN.

8.38 Reference point T₈

Reference point T₈ is the interface between the SCP and the SCP.

8.39 Reference point T₉

Reference point T₉ is the interface between the HLR and the IP.

8.40 Reference point V

Reference point V is the interface between the OTAF and the OTAF.

8.41 Reference point X

Reference point X is the interface between the CSC and the OTAF.

8.42 Reference point Y

Reference point Y is the interface between a WNE and the IWF.

8.43 Reference point Z

Reference point Z is the interface between the MSC and the NPDB.

8.44 Reference point Z₁

Reference point Z₁ is the interface between the MSC and the VMS.

8.45 Reference point Z₂

Reference point Z₂ is the interface between the HLR and the VMS.

8.46 Reference point Z₃

Reference point Z₃ is the interface between the MC and the VMS.

The remaining text in this clause is based on reference [13 a-c], clause 2.1.

An interface exists when two network entities are interconnected through exactly one signalling or bearer stream reference point. The reference points and their associated network entities are:

8.47 Reference point 1

Reference point 1 is the signaling interface between the databases and the position server (multimedia domain only).

8.48 Reference point 2

Reference point 2 is the signaling interface between the databases and the cdma2000 access network.

8.49 Reference point 3

Reference point 3 is the signaling interface between the databases and the policy decision function (multimedia domain only).

8.50 Reference point 4

Reference point 4 is the signaling interface between the databases and the AAA.

8.51 Reference point 5/Mk

Reference point 5/Mk is the signaling interface between breakout gateway control functions (multimedia domain only).

8.52 Reference point 6

Reference point 6 is the signaling interface between the databases and the legacy MS domain support (legacy MS domain only).

8.53 Reference point 7

Reference point 7 is the signaling interface between the OSA service capability server and the databases.

8.54 Reference point 8/OSA

Reference point 8/OSA is the signaling interface between the OSA application server and the OSA service capability server. Reference point 8/OSA may employ interfacing techniques that support a wide spectrum of capabilities, ranging from secure (e.g., application programming interfaces such as Parlay, used for un-trusted parties) to non-secure (e.g., used for trusted parties).

8.55 Reference point 9/Mi

Reference point 9/Mi is the signaling interface between the visited network's BGCF and the home service network's serving-CSCF.

8.56 Reference point 10

Reference point 10 is the signaling interface between the position server and the OSA service capability server (multimedia domain only).

8.57 Reference point 11/Sh

Reference point 11/Sh is the signaling interface between the SIP application server and the AAA, and between the OSA service capability server and the AAA for user's service authentication and/or authorization, and for retrieving information from the MMD database (multimedia domain only).

8.58 Reference point 12/ISC

Reference point 12/ISC is the signaling interface between the session initiation protocol (SIP) application server and the call session control function (CSCF) and between the OSA service capability server (SCS) and the call session control function (CSCF) for service control (multimedia domain only).

8.59 Reference point 13

Reference point 13 is the signaling interface between the legacy MS domain support and the PSTN (legacy MS domain only).

8.60 Reference point 14

Reference point 14 is the signaling interface between the legacy MS domain support and the mobile application part (MAP) (TIA/EIA-41 & GSM) (legacy MS domain only).

8.61 Reference point 15

Reference point 15 is the signaling interface between the position server and the AAA.

8.62 Reference point 16/Cx

Reference point 16/Cx is the signaling interface between the AAA and the CSCF (multimedia domain only).

8.63 Reference point 17/(Mg)

Reference point 17/(Mg) is the signaling interface between the CSCF and the Media Gateway Control Function (MGCF) (multimedia domain only).

8.64 Reference point 18

Reference point 18 is the signaling interface between the position server and the position determining entity.

8.65 Reference point 19

Reference point 19 is the signaling interface between the position server and the access gateway (multimedia domain only).

8.66 Reference point 20

Reference point 20 is the signaling interface between the AAA and the cdma2000 access network (multimedia domain only).

8.67 Reference point 21

Reference point 21 is the signaling interface between the AAA and the access gateway.

8.68 Reference point 22

Reference point 22 is the signaling interface between the AAA and the mobile IP home agent.

8.69 Reference point 23

Reference point 23 is the signaling interface between the AAA and the policy decision function (multimedia domain only).

8.70 Reference point 24/Mr

Reference point 24/Mr is the signaling interface between the CSCF and the MRFC (multimedia domain only).

8.71 Reference point 25/Mp

Reference point 25/Mp is the signaling interface between the MRFC and the MRFP.

8.72 Reference point 26/PSTN

Reference point 26/PSTN is the signaling interface between the MGCF and the PSTN (multimedia domain only).

8.73 Reference point 27

Reference point 27 is the bearer stream interface between the cdma2000 access network and the media gateway (legacy MS domain only).

8.74 Reference point 28/Go

Reference point 28/Go is the signaling interface between the policy decision function and the access gateway.

8.75 Reference point 29

Reference point 29 is the signaling interface between the policy decision function and the border router.

8.76 Reference point 30/Mc

Reference point 30/Mc is the signaling interface between the media gateway control function and the media gateway (multimedia domain only).

8.77 Reference point 31

Reference point 31 is the bearer stream interface between the cdma2000 access network and the access gateway.

8.78 Reference point 32/Mb

Reference point 32/Mb is the bearer stream interface between the access gateway and the MRFP (multimedia domain only).

8.79 Reference point 33/Mb

Reference point 33/Mb is the bearer stream interface between the MRFP and the media gateway.

8.80 Reference point 34/Mb

Reference point 34/Mb is the bearer stream interface between the media gateway and the PSTN.

8.81 Reference point 35

Reference point 35 is the signaling interface between the cdma2000 access network and the access gateway.

8.82 Reference point 36/Mb

Reference point 36/Mb is the bearer stream interface between the access gateway and the media gateway (multimedia domain only).

8.83 Reference point 37/Mb

Reference point 37/Mb is the bearer stream interface between the MRFP and the mobile IP home agent (multimedia domain only).

8.84 Reference point 38/Mb

Reference point 38/Mb is the bearer stream interface between the media gateway and the mobile IP home agent (multimedia domain only).

8.85 Reference point 39

Reference point 39 is the signaling interface between the media gateway and the legacy MS domain support (legacy MS domain only).

8.86 Reference point 40/Mb

Reference point 40/Mb is the bearer stream interface between the media gateway and the border router.

8.87 Reference point 41

Reference point 41 is the signaling interface between the access gateway and the mobile IP home agent.

8.88 Reference point 42/Mb

Reference point 42/Mb is the bearer stream interface between the MRFP and the border router.

8.89 Reference point 43/Mb

Reference point 43/Mb is the bearer stream interface between the access gateway and the mobile IP home agent.

8.90 Reference point 44/Mb

Reference point 44/Mb is the bearer stream interface between the mobile IP home agent and the border router.

8.91 Reference point 45/Mb

Reference point 45/Mb is the bearer stream interface between the access gateway and the border router.

8.92 Reference point 46/Mb

Reference point 46/Mb is the bearer stream interface between the border router and the IP network.

8.93 Reference point 47

Reference point 47 is the radio link (air interface) between the mobile station and the cdma2000 access network.

8.94 Reference point 48

Reference point 48 is the signaling interface between the cdma2000 access network and the legacy MS domain support (legacy MS domain only).

8.95 Reference point 49/(Mj)

Reference point 49/(Mj) is the signaling interface between the BGCF and the MGCF (multimedia domain only).

8.96 Reference point 50

Reference point 50 is the signaling interface between the policy decision function and the P-CSCF (multimedia domain only).

8.97 Reference point U1

Reference point U1 carries control and bearer information between evolved base station (eBS) and the Access GateWay (AGW). The U1 Reference point includes interfaces for bearer transport (user data and signaling), QoS, and accounting.

8.98 Reference point U2

Reference point U2 provides interfaces for carrying control information between the eBS and the SRNC.

8.99 Reference point U3

Reference point U3 carries control and bearer information between eBSs.

8.100 Reference point U4

Reference point U4 carries control information between SRNCs.

8.101 Reference point U6

Reference point U6 connects the SRNC to the AGW.

8.102 Reference point U14

Reference point U14 connects the anchor AGW (anc-AGW) or AGW with the AAA infrastructure via the visited AAA server (VAAA). This Reference point implements a signaling protocol to support user authentication, authorization and accounting.

8.103 Reference point U15

Reference point U15 carries control and bearer information between the serving AGW (srv-AGW). Reference point U15 provides local mobility based on PMIP.

8.104 Reference point U15'

Reference point U15' carries control and bearer information between two AGWs: the serving AGW (srv-AGW) and the anchor AGW (anc-AGW). This Reference point is not exposed if the srv-AGW and the anc-AGW are collocated. This Reference point also carries policy information.

8.105 Reference point U16

Reference point U16 carries control and bearer information between the AGW and the home agent (HA), and supports bearer transport and signaling for mobility.

8.106 Reference point U17

Reference point U17 carries control and bearer information between the 3GPP2 network and a non-3GPP2 network. The U17a Reference point carries control and bearer information between the 3GPP2 network and a trusted non-3GPP2 network (e.g., 3GPP SAE/LTE or WiMAX). The U17b

reference point carries control and bearer information between the 3GPP2 network and a untrusted non-3GPP2 network via the ePDIF (e.g., a WiFi network).

8.107 Reference point U18

Reference point U18 carries control information between a visited PCRF (V-PCRF) and a home PCRF (H-PCRF) in order to transfer policy and charging rules between domains.

8.108 Reference point U19

Reference point U19 carries control and bearer (optional) information between the AGW and the trusted non-3GPP2 system (U19a), and between the AGW and the ePDIF (U19b), and between the anc-AGW/AGW and the PDSN (U19/U19c). The U19 Reference point supports fast/seamless handoff between a CAN and another system.

8.109 Reference point U20

Reference point U20 connects the HA and the PCRF, and allows (QoS) policy and charging information to be conveyed to the HA.

8.110 Reference point U21

Reference point U21 connects the ePDIF to an untrusted non-3GPP2 access network.

8.111 Reference point U22

Reference point U22 provides two separate interfaces: U22a and U22b. The U22a Reference point connects the PDSN to a trusted non-3GPP2 network. For this connection, the ePDIF is not required to be on the data path. The U22b Reference point, however, carries control and bearer information between the PDSN and an untrusted non-3GPP2 network. For this connection the ePDIF is required to be on the data path.

8.112 Reference point U23

Reference point U23 carries control information from the (QoS) policy and charging rules function (PCRF) to the anc-AGW/AGW.

8.113 Reference point U24

Reference point U24 carries control and bearer information between an LMA and another system. The U24 Reference point carries control and bearer information with PMIP between the LMA and the trusted non-3GPP2 system (U24a), and between the LMA and the ePDIF (U24b), and between the LMA and the PDSN (U24c). The U24 Reference point supports handoff between a CAN and another system.

8.114 Reference point U25

Reference point U25 carries control and bearer information with client mobile IP (CMIP) between the HA and the trusted non-3GPP2 system (U25a), and between the HA and the ePDIF (U25b). The U25 Reference point supports handoff between a CAN and another system.

8.115 Reference point U26

Reference point U26 carries control and bearer information with the PMIP between the LMA and the AGW and supports handoff between AGWs.

8.116 Reference point U27

Reference point U27 carries control and bearer information with the CMIP between the HA and the AGW and supports handoff between AGWs.

8.117 Reference point U28

Reference point U28 carries control and bearer (optional) information between the AGWs and supports fast inter-AGW handoff.

8.118 Reference point U29

Reference point U29 carries control and bearer information between the HA and the PDSN. The U29 Reference point carries CMIP and PMIP for the split AGW architectures. The U29 Reference point carries CMIP for the single AGW architecture.

8.119 Reference point U30

Reference point U30 carries IP traffic between the AGW and the IP services network.

8.120 Reference point U31

Reference point U31 carries IP traffic between the HA and the IP services network.

8.121 Reference point U32

Reference point U32 carries IP traffic between the LMA and the IP services network.

8.122 Reference point UMB-AI

Reference point UMB-AI (Air Interface) carries control and bearer information between the AT and the eBS.

9 Technical Specifications Structure

This clause provides an overview of the specifications for this IMT-2000 family member based on ANSI-41 evolved core network with cdma2000 access network. Details for these specifications may be found in clause 10.

The following text describes the numbering scheme for the specifications and reports for the 3GPP2 third generation mobile system.

The 3GPP2 document-numbering scheme is indicated as follows:

A.Bcccc-w-x version y.z

where:

- 1 A denotes the TSG (A, C, N, P, S) which developed the specification where:
 - TSG-A develops RAN (i.e., A-interface) specifications;
 - TSG-C develops air interface specifications;
 - TSG-N develops intersystem interface specifications;
 - TSG-P develops packet data specifications;
 - TSG-S develops service and system aspects specifications including stage 1 requirements descriptions and OAM&P specifications.
- 2 B denotes project, report, specification (P, R, S).
- 3 cccc denotes a four (4)-digit number which identifies the specific specification.

- 4 w denotes revision:
- 0 is the first release (0th revision);
 - A is the first revision;
 - and so on.
- 5 x denotes whether this is the prime revision or an addendum:
- 0 is the prime revision, and is used when the document is first created;
 - 1 is the first addendum;
 - 2 is the second addendum;
 - and so on.
- 6 y is the "point release" indicator – 0 is used when the document is first created; the number is incremented whenever approved for publishing by the plenary of a TSG (e.g., 1 is the first approval by the plenary for publishing).
- 7 z is an internal edit level. The internal edit level z is always reset to 0 when the document is approved by the applicable plenary. It is incremented by the entity (e.g., working group) that is developing the document for each new edit release.

NOTE 1 – If the designator w and the designator x are both equal to 0, then neither designator needs to be included.

NOTE 2 – The document reference section does not need to include "version y.z" unless specifically needed to resolve a technical incompatibility that would exist.

10 Technical specifications

All dates in the tables of clause 10 are formatted day-month-year. If no day is shown for the document, then the format is -month-year.¹

10.1 A series RAN specifications

The 3GPP2 A series RAN specifications are outside of the scope of this Recommendation. The radio access network to core network interface specifications for the cdma2000 (ANSI-41 evolved core network with cdma2000 access network) system family will be referenced in a new issue of Recommendation ITU-R M.1457.

10.1.1 A.S0020-0 version 1.0 interoperability specification (IOS) for ultra mobile broadband (UMB) radio access network interfaces (November 2007)

This document provides an interoperability specification for a RAN that supports UMB. This document contains message procedures and formats necessary to obtain this interoperability.

¹ Note on nomenclature of TIA documents: before TIA was accredited, documents were created under EIA. After TIA was accredited as a standards development organization, documents were named beginning with TIA/EIA. TIA documents can now stand by themselves, so since 2000, documents are now titled TIA only. The IS was an interim standard valid for three years and that naming system is no longer used for new documents.

	Document No.	Version	Status	Issued date	Location
TIA	TIA-1134		Published	-08-2009	http://www.tiaonline.org/standards/catalog/index.cfm
TTC	TS-3GB-A.S0020-0v1.0	1.0	Published	07-03-2008	http://www.ttc.or.jp/j/document_list/free/TS/TS-3GB-A.S0020-0v1.0.pdf

10.1.2 A.S0020-0 version 2.0 interoperability specification (IOS) for ultra mobile broadband (UMB) radio access network interfaces (July 2008)

This document provides an interoperability specification for a RAN that supports UMB. This document contains message procedures and formats necessary to obtain this interoperability.

	Document No.	Version	Status	Issued date	Location
TIA	TIA-1134-1		Published	-01-2009	http://www.tiaonline.org/standards/catalog/index.cfm
TTC	TS-3GB-A.S0020-0v2.0	2.0	Published	05-09-2008	http://www.ttc.or.jp/j/document_list/free/TS/TS-3GB-A.S0020-0v2.0.pdf

10.1.3 A.S0021-0 version 1.0 inter-technology handoff for ultra mobile broadband (UMB) radio access network interfaces (July 2008)

This document provides an interoperability specification between a RAN that supports UMB, the AT and other access technologies. This document contains message procedures and formats necessary to obtain this interoperability.

	Document No.	Version	Status	Issued date	Location
TIA	TIA-1135		Published	-01-2009	http://www.tiaonline.org/standards/catalog/index.cfm
TTC	TS-3GB-A.S0021-0v1.0	1.0	Published	05-09-2008	http://www.ttc.or.jp/j/document_list/free/TS/TS-3GB-A.S0021-0v1.0.pdf

10.2 Intersystem specifications

10.2.1 N.S0003-0 v.1.0 user identity module (April 2001)

This standard defines the enhancements required for the support of mobile stations equipped with user identification modules (UIM). The UIM provides functionality to certain types of mobile stations to enable them to operate in the wireless network.

This document defines requirements for the wireless network to support operation of UIM equipped mobile stations. An UIM provides compatible mobile stations with the parameters required of mobile stations operating in the TIA/EIA-41 environment and specific additional functionality unique to UIM-equipped mobile stations.

The UIM can be in one of two forms, as either integrated within the mobile or removable that can be inserted or removed from the mobile equipment. This document addresses removable UIM (R-UIM) only.

	Document No.	Version	Status	Issued date	Location
CCSA	CWTS-MC-N.S0003-0	1.0	Published	-02-2002	http://www.ccsa.org.cn/english/tc/files.php?docpath=/ITU-R/M.1457/M.1457-4/MC
TIA	TIA/EIA/IS-808		Published	-12-2000	http://www.tiaonline.org/standards/catalog/index.cfm
TTA	TTAE.3G-N.S0003	1	Published	13-07-2000	http://www.tta.or.kr/standardDB/stnfile/TTAE_3G-N_S0003.zip
TTC	TS-3GB-N.S0003v1.0	1.0	Published	29-05-2001	http://www.ttc.or.jp/imt2000/ts/tsns0003-v1.0.pdf

10.2.2 N.S0004-0 version 1.0 WIN phase 2 (April 2001)

- triggers for preferred language;
- advice of charge – rejection of undesired annoying calls;
- premium rate charging;
- freephone.

Premium rate charging (PRC), freephone (FPH) and advice of charging (AOC) are charging related services that provide a set of advanced wireless charging capabilities. Rejection of undesired annoying calls (RUACs) is a screening service that blocks undesired annoying calls to the subscriber. Enhanced preferred language (EPL) uses wireless intelligent network (WIN) capabilities to provide announcements to the subscriber in the subscriber's preferred language. This specification presents a recommended plan for the implementation of WIN capabilities that support these features. The WIN capabilities are for use in the wireless radiotelephone service.

	Document No.	Version	Status	Issued date	Location
CCSA	CWTS-MC-N.S0004-0	1.0	Published	-02-2002	http://www.ccsa.org.cn/english/tc/files.php?docpath=/ITU-R/M.1457/M.1457-4/MC
TIA	TIA/EIA/IS-848		Published	-12-2000	http://www.tiaonline.org/standards/catalog/index.cfm
TTA	TTAE.3G-N.S0004	1	Published	13-07-2000	http://www.tta.or.kr/standardDB/stnfile/TTAE_3G-N_S0004.zip
TTC	TS-3GB-N.S0004-0v1.0	1.0	Published	29-05-2001	http://www.ttc.or.jp/imt2000/ts/tsns0004-0v1.0.pdf

10.2.3 N.S0005-0 version 1.0 cellular radiotelecommunications intersystem operations (no date)

The purpose of this document is to identify those cellular services which require intersystem cooperation, to present the general background against which those services are to be provided, and to summarize the principal considerations which have governed and directed the particular approaches taken in the procedural recommendations.

	Document No.	Version	Status	Issued date	Location
CCSA	YDT 1031-1999	1.0	Published	-12-1999	http://www.ccsa.org.cn/english/tc/files.php?docpath=/ITU-R/M.1457/M.1457-4/MC
TIA	TIA/EIA-41-D		Published	-12-1997	http://www.tiaonline.org/standards/catalog/index.cfm
TTA	TTAE.3G-N.S0005	1	Published	13-07-2000	http://www.tta.or.kr/standardDB/stnfile/TTAE_3G-N_S0005.zip

10.2.4 N.S0006 version 1.0.0 PCS multi-band based on IS-41-C revision: 0 (28 January 2000)

3GPP2 document was withdrawn.

10.2.5 N.S0008 version 1.0 circuit mode services (no date)

This standard presents a recommended plan for the implementation of uniform features for use in the cellular radiotelephone service. Its intent is to describe services and features so that the manner in which a subscriber may place calls using such features and services may remain reasonably consistent from system to system. It is not intended to require that specific service offerings be required of all service providers.

Services:

- asynchronous data service (ADS);
- data privacy (DP);
- Group 3 facsimile service (G3 Fax);
- service negotiation (SN);
- mobile termination functions.

	Document No.	Version	Status	Issued date	Location
CCSA	CWTS-MC-N.S0008	1.0	Published	-02-2002	http://www.ccsa.org.cn/english/tc/files.php?docpath=/ITU-R/M.1457/M.1457-4/MC
TIA	TIA-737		Published	-01-2002	http://www.tiaonline.org/standards/catalog/index.cfm
TTA	TTAE.3G-N.S0008 v1.0	1.0	Published	28-10-2002	http://www.tta.or.kr/standardDB/stnfile/TTAE.3G-N.S0008v1.0.pdf
TTC	JP-3GB-N.S0008	1	Published	31-03-2000	http://www.ttc.or.jp/imt2000/std/jpns0008.pdf

10.2.6 N.S0009-0 version 1.0 IMSI (no date)

	Document No.	Version	Status	Issued date	Location
CCSA	CWTS-MC-N.S0009-0	1.0	Published	-02-2002	http://www.ccsa.org.cn/english/tc/files.php?docpath=/ITU-R/M.1457/M.1457-4/MC
TIA	TIA-751		Published	-01-2002	http://www.tiaonline.org/standards/catalog/index.cfm
TTA	TTAE.3G-N.S0009	1	Published	13-07-2000	http://www.tta.or.kr/standardDB/stnfile/TTAE_3G-N_S0009.zip
TTC	JP-3GB-N.S0009	1	Published	31-03-2000	http://www.ttc.or.jp/imt2000/std/jpns0009.pdf

10.2.7 N.S0010-0 version 1.0 advanced features in wideband spread spectrum systems (no date)

For this revision of this standard, the advanced CDMA features include: network directed system selection (NDSS) and subscriber confidentiality (SC) supported by TMSI.

	Document No.	Version	Status	Issued date	Location
CCSA	CWTS-MC-N.S0010-0	1.0	Published	-02-2002	http://www.ccsa.org.cn/english/tc/files.php?docpath=/ITU-R/M.1457/M.1457-4/MC
TIA	TIA-735		Published	-01-2002	http://www.tiaonline.org/standards/catalog/index.cfm
TTA	TTAE.3G-N.S0010 v1.0	1.0	Published	28-10-2002	http://www.tta.or.kr/standardDB/stnfile/TTAE.3G-N.S0010-0v1.0.pdf
TTC	JP-3GB-N.S0010-0	1	Published	31-03-2000	http://www.ttc.or.jp/imt2000/std/jpns0010.pdf

10.2.8 N.S0011-0 version 1.0 OTASP and OTAPA (no date)

This document presents recommendations for supporting the over-the-air service provisioning (OTASP) and parameter administration (OTAPA) capability.

Specifically, this document includes stage 1 recommendations for OTASP subscriber feature and OTAPA network feature descriptions. It also provides intersystem operation recommendations for

supporting the OTASP and OTAPA capability for the CDMA and TDMA air interfaces, with stage 2 operations and scenarios, stage 3 operations and parameter definitions plus stage 3 procedures.

	Document No.	Version	Status	Issued date	Location
CCSA	CWTS-MC-N.S0011-0	1.0	Published	-02-2002	http://www.ccsa.org.cn/english/tc/files.php?docpath=/ITU-R/M.1457/M.1457-4/MC
TIA	TIA/EIA/IS-725-A		Published	-07-1999	http://www.tiaonline.org/standards/catalog/index.cfm
TTA	TTAE.3G-N.S0011	1	Published	13-07-2000	http://www.tta.or.kr/standardDB/stnfile/TTAE_3G-N_S0011.zip
TTC	JP-3GB-N.S0011	1	Published	31-03-2000	http://www.ttc.or.jp/imt2000/std/jpns0011.pdf

10.2.9 N.S0012-0 CNAP/CNAR revision: 0 (28 January 2000)

This document presents a recommended plan for the implementation of calling name presentation (CNAP) and calling name restriction (CNAR) for use in the wireless radiotelephone service.

	Document No.	Version	Status	Issued date	Location
CCSA	CWTS-MC-N.S0012-0	1.0	Published	-02-2002	http://www.ccsa.org.cn/english/tc/files.php?docpath=/ITU-R/M.1457/M.1457-4/MC
TIA	TIA-764		Published	-01-2002	http://www.tiaonline.org/standards/catalog/index.cfm
TTA	TTAE.3G-N.S0012	1	Published	13-07-2000	http://www.tta.or.kr/standardDB/stnfile/TTAE_3G-N_S0012.zip
TTC	JP-3GB-N.S0012	1	Published	31-03-2000	http://www.ttc.or.jp/imt2000/std/jpns0012.pdf

10.2.10 N.S0013-0 version 1.0 WIN Phase 1 (no date)

The wireless intelligent network (WIN) is a network which supports the use of intelligent network capabilities to provide seamless terminal services, personal mobility services and advanced network services in mobile environment.

This document presents a recommended plan for the implementation of the wireless intelligent network (WIN) for use in the wireless radiotelephone service.

	Document No.	Version	Status	Issued date	Location
CCSA	CWTS-MC-N.S0013-0	1.0	Published	-02-2002	http://www.ccsa.org.cn/english/tc/files.php?docpath=/ITU-R/M.1457/M.1457-4/MC
TIA	TIA/EIA/IS-771 TIA/EIA/IS-771-1		Published Published	-07-1999 -08-2001	http://www.tiaonline.org/standards/catalog/index.cfm
TTA	TTAE.3G-N.S0013	1	Published	13-07-2000	http://www.tta.or.kr/standardDB/stnfile/TTAE_3G-N_S0013.zip
TTC	JP-3GB-N.S0013	1	Published	31-03-2000	http://www.ttc.or.jp/imt2000/std/jpns0013.pdf

10.2.11 N.S0014-0 version 1.0 authentication enhancements (no date)

This standard presents a recommended plan for the implementation of authentication enhancements for use in the wireless radiotelephone service. Its intent is to describe the authentication enhancements so that the manner in which a system implements them may remain reasonably consistent from system to system.

The authentication enhancements include:

- count update after handoff;
- obtaining subscriber profile before authentication on initial system access;
- handling of suspicious call originations;
- identify the serving MSC when reporting the outcome of a requested authentication operation;
- handling of authentication capable mobile stations when the home system is not authentication capable;
- clarification and editorial correction of authentication procedures;
- miscellaneous authentication enhancements.

	Document No.	Version	Status	Issued date	Location
CCSA	CWTS-MC-N.S0014-0	1.0	Published	-02-2002	http://www.ccsa.org.cn/english/tc/files.php?docpath=/ITU-R/M.1457/M.1457-4/MC
TIA	TIA/EIA/IS-778		Published	-03-1999	http://www.tiaonline.org/standards/catalog/index.cfm
TTA	TTAE.3G-N.S0014	1	Published	13-07-2000	http://www.tta.or.kr/standardDB/stnfile/TTAE_3G-N_S0014.zip
TTC	JP-3GB-N.S0014	1	Published	31-03-2000	http://www.ttc.or.jp/imt2000/std/jpns0014.pdf

10.2.12 N.S0015 version 1.0.0 ANSI-41-D miscellaneous enhancements (28 January 2000)

This document is intended to justify TIA/EIA-41-D technical enhancement or technical correction contributions that have been supported for incorporation into PN-3590 (TIA/EIA-41-E) but are not expected to be published in a TIA/EIA-41-D enhancement interim standard (IS).

This document is for tracking purposes only, there is no intention of publishing the contents of this document independent of ANSI/TIA/EIA-41-E.

	Document No.	Version	Status	Issued date	Location
CCSA	CWTS-MC-N.S0015	1.0.0	Published	-02-2002	http://www.ccsa.org.cn/english/tc/files.php?docpath=/ITU-R/M.1457/M.1457-4/MC
TTA	TTAE.3G-N.S0015 v1.0.0	1.0.0	Published	28-10-2002	http://www.tta.or.kr/standardDB/stnfile/TTAE.3G-N.S0015v1.0.0.pdf
TTC	TR-3GB-N.S0015-0v1.0	1.0.0	Published	26-02-2002	http://www.ttc.or.jp/j/document_list/free/TR/TR-3GB-N.S0015-0v1.0.pdf

10.2.13 N.S0016-0 version 1.0 TIA/EIA-41-D internationalization (no date)

This document specifies the ANSI/TIA/EIA-41-D chapters 1, 3, 5 and 6 enhancements that are necessary to support international intersystem operations.

	Document No.	Version	Status	Issued date	Location
CCSA	CWTS-MC-N.S0016-0	1.0	Published	-02-2002	http://www.ccsa.org.cn/english/tc/files.php?docpath=/ITU-R/M.1457/M.1457-4/MC
TIA	TIA/EIA/IS-807 TIA/EIA/IS-807-1		Published Published	-08-1999 -03-2000	http://www.tiaonline.org/standards/catalog/index.cfm
TTA	TTAE.3G-N.S0016	1	Published	13-07-2000	http://www.tta.or.kr/standardDB/stnfile/TTAE_3G-N_S0016.zip
TTC	JP-3GB-N.S0016	1	Published	31-03-2000	http://www.ttc.or.jp/imt2000/std/jpns0016.pdf

10.2.14 N.S0017-B version 1.0.0 international implementation of wireless telecommunication systems compliant with TIA/EIA-41 revision: B (December 2002)

When the first edition of mobile station – land station compatibility specification (IS-3, now TIA/EIA-553-A) was issued, it was envisioned that it would be adopted for use within Northern America. Provisions were included for international implementation; however, detailed guidelines to assist with such implementations were not included. Subcommittee TR-45.2 recognized the need to provide such guidance, and charted a working group (Working Group VI) with this responsibility. The result of this Working Group's deliberations has been the production of TSB-29 as well as ongoing internationalization of other TIA standards, such as TIA/EIA-41-D (N.S0005), TIA-751 (N.S0009), TIA/EIA/IS-807 (N.S0016), TIA/EIA/IS-875 (N.S0027), TIA/EIA-124 (N.S0026), TIA/EIA-136, IS-95, IS-91 and TIA/EIA-2000 (C.S0001). TSG-N has taken TSB-29 and produced the specification N.S0017.

The principle aspects of international implementation addressed by this document are:

- the administration and assignment of system identification numbers (SIDs);
- the administration and assignment of mobile identification numbers (MINs);
- format of international mobile subscriber identifiers (IMSI).

The goal of this publication is to provide the international wireless telecommunications industry with the framework permitting the coordinated implementation of Wireless Radio Telecommunication systems in compliance with the provisions of the AMPS family of air interface standards (e.g., TIA/EIA-553, IS-54, IS-91, IS-95, TIA/EIA-2000 and TIA/EIA-136).

	Document No.	Version	Status	Issued date	Location
CCSA	CCSA-TSD-MC-N.S0017-0	1.0.0	Published	09-2003	http://www.ccsa.org.cn/english/tc/files.php?docpath=/ITU-T/Q.1742/R3-2003-11
TIA	TSB-29E		Published	-12-2002	http://www.tiaonline.org/standards/catalog/index.cfm
TTA	TTAT.3G-N.S0017-B_v1.0	1.0	Published	30-10-2003	http://www.tta.or.kr/standardDB/stnfile/TTAT.3G-N.S0017-B_v1.0.zip
TTC	TS-3GB-N.S0017-Bv1.0	1.0	Published	30-05-2003	http://www.ttc.or.jp/imt2000/ts/tsns0017-Bv10.pdf

10.2.15 N.S0018 version 1.0.0 TIA/EIA-41-D prepaid charging (14 July 2000)

Pre-paid charging (PPC) allows the subscriber to pay for voice telecommunication services prior to usage. This document presents a recommended plan for the implementation of wireless intelligent network (WIN) capabilities that support PPC. The WIN capabilities that support PPC are for use in the wireless radiotelephone service.

	Document No.	Version	Status	Issued date	Location
CCSA	CWTS-MC-N.S0018	1.0.0	Published	-02-2002	http://www.ccsa.org.cn/english/tc/files.php?docpath=/ITU-R/M.1457/M.1457-4/MC
TIA	TIA/EIA/IS-826		Published	-09-2000	http://www.tiaonline.org/standards/catalog/index.cfm
TTA	TTAE.3G-N.S0018	1	Published	13-07-2000	http://www.tta.or.kr/standardDB/stnfile/TTAE_3G-N_S0018.zip
TTC	JP-3GB-N.S0018	2	Published	14-05-2001	http://www.ttc.or.jp/imt2000/std/jpns0018.pdf

10.2.16 N.S0019 version 1.0.0 intersystem link protocol revision: 0 (28 January 2000)

This document specifies an intersystem link protocol (ISLP) for circuit-mode data services. These data services include asynchronous data and Group-3 Fax as specified in IS-99 and IS-135. The ISLP adapts between air-interface data rates and higher-speed intersystem rates. The ISLP may be used between a serving system and an anchor system, possibly through one or more tandem systems.

	Document No.	Version	Status	Issued date	Location
CCSA	CWTS-MC-N.S0019	1.0.0	Published	-02-2002	http://www.ccsa.org.cn/english/tc/files.php?docpath=/ITU-R/M.1457/M.1457-4/MC
TIA	TIA-728		Published	-01-2000	http://www.tiaonline.org/standards/catalog/index.cfm
TTA	TTAE.3G-N.S0019	1	Published	13-07-2000	http://www.tta.or.kr/standardDB/stnfile/TTAE_3G-N_S0019.zip
TTC	JP-3GB-N.S0019	1	Published	31-03-2000	http://www.ttc.or.jp/imt2000/std/jpns0019.pdf

10.2.17 N.S0020 TIA/EIA-41-D message segmentation (August 1999)

3GPP2 document was withdrawn.

10.2.18 N.S0021 version 1.0.0 user selective call forwarding revision: 1 (14 July 2000)

This document specifies the wireless intersystem network operation enhancements required for supporting roaming subscribers with the user selective call forwarding (SCF) feature.

	Document No.	Version	Status	Issued date	Location
CCSA	CWTS-MC-N.S0021	1.0.0	Published	-02-2002	http://www.ccsa.org.cn/english/tc/files.php?docpath=/ITU-R/M.1457/M.1457-4/MC
TIA	TIA/EIA/IS-838		Published	-07-2000	http://www.tiaonline.org/standards/catalog/index.cfm
TTA	TTAE.3G-N.S0021 v1.0.0	1.0.0	Published	28-10-2002	http://www.tta.or.kr/standardDB/stnfile/TTAE_3G-N_S0021v1.0.0.pdf
TTC	JP-3GB-N.S0021	1	Published	14-05-2001	http://www.ttc.or.jp/imt2000/std/jpns0021.pdf

10.2.19 N.S0022 version 1.0.0 answer hold (14 July 2000)

This document specifies the wireless intersystem network operation enhancements required for supporting roaming subscribers with the answer hold (AH) feature.

	Document No.	Version	Status	Issued date	Location
CCSA	CWTS-MC-N.S0022	1.0.0	Published	-02-2002	http://www.ccsa.org.cn/english/tc/files.php?docpath=/ITU-R/M.1457/M.1457-4/MC
TIA	TIA/EIA/IS-837		Published	-09-2000	http://www.tiaonline.org/standards/catalog/index.cfm
TTA	TTAE.3G-N.S0022 v1.0.0	1.0.0	Published	28-10-2002	http://www.tta.or.kr/standardDB/stnfile/TTAE.3G-N.S0022v1.0.0.pdf
TTC	JP-3GB-N.S0022	1	Published	14-05-2001	http://www.ttc.or.jp/imt2000/std/jpns0022.pdf

10.2.20 N.S0023-0 version 1.0 automatic code gapping (no date)

This document presents a recommended plan for the implementation of automatic code gapping (ACG) for use in the wireless radiotelephone service. The ACG is used to reduce the rate at which a network entity, typically a MSC, sends service request messages to a service control function (SCF) network entity. The ACG controls can be applied automatically by the SCF when it is in overload. The ACG controls can also be applied by a SCF for purposes of SCF service management.

	Document No.	Version	Status	Issued date	Location
CCSA	CWTS-MC-N.S0023-0	1.0	Published	-02-2002	http://www.ccsa.org.cn/english/tc/files.php?docpath=/ITU-R/M.1457/M.1457-4/MC
TIA	TIA/EIA/IS-786		Published	-11-2000	http://www.tiaonline.org/standards/catalog/index.cfm
TTA	TTAE.3G-N.S0023-0 v1.0	1.0	Published	28-10-2002	http://www.tta.or.kr/standardDB/stnfile/TTAE.3G-N.S0023-0v1.0.pdf
TTC	JP-3GB-N.S0023	1	Published	14-05-2001	http://www.ttc.or.jp/imt2000/std/jpns0023.pdf

10.2.21 N.S0024-0 version 1.0 network support for MDN-based message centres (November 2000)

This document is intended to identify TIA/EIA-41-D WNP-PH3 (wireless number portability – Phase III) technical enhancements required to support SMS (short message service) delivery to MDN (mobile directory number) based MCs (message centres). These enhancements have been supported for incorporation into PN-3590 (TIA/EIA-41-E) and are being published as a (TIA/EIA-41-D) enhancement interim standard (IS).

	Document No.	Version	Status	Issued date	Location
CCSA	CWTS-MC-N.S0024-0	1.0	Published	-02-2002	http://www.ccsa.org.cn/english/tc/files.php?docpath=/ITU-R/M.1457/M.1457-4/MC
TIA	TIA/EIA/IS-841		Published	-09-2000	http://www.tiaonline.org/standards/catalog/index.cfm
TTA	TTAE.3G-N.S0024-0 v1.0	1.0	Published	28-10-2002	http://www.tta.or.kr/standardDB/stnfile/TTAE.3G-N.S0024-0v1.0.pdf
TTC	TS-3GB-N.S0024 v1.0	1.0	Published	29-08-2001	http://www.ttc.or.jp/imt2000/ts/tsns0024-v10.pdf

10.2.22 N.S0025 version 1.0.0 roamer database verification (January 2001)

This document presents a recommended plan for the implementation of roamer database verification (RDV) for use in the wireless radiotelephone service. RDV enables a home system to verify that a roaming partner's VLF database is correctly loaded for the mobile station identifier (MSID) number ranges that "belong" to the home service provider. At the request of the HLR,

the VLR examines its roamer database to verify that subscribers within the requested MSID range are allowed to roam in the visited system.

The RDV provides a tool to assist in resolving problems experienced by home system subscribers when roaming in the visited system.

	Document No.	Version	Status	Issued date	Location
CCSA	CWTS-MC-N.S0025	1.0.0	Published	-02-2002	http://www.ccsa.org.cn/english/tc/files.php?docpath=/ITU-R/M.1457/M.1457-4/MC
TTA	TTAE.3G-N.S0025 v1.0.0	1.0.0	Published	28-10-2002	http://www.tta.or.kr/standardDB/snfile/TTAE.3G-N.S0025v1.0.0.pdf
TTC	TS-3GB-N.S0025 v1.0	1.0	Published	29-05-2001	http://www.ttc.or.jp/imt2000/ts/tsns0025-v10.pdf

10.2.22.1 N.S0025-A version 1.0.0 roamer database verification revision: A (June 2002)

This document presents a recommended plan for the implementation of roamer database verification (RDV) for use in the wireless radiotelephone service.

Several types of network entities (NE) can initiate RDV service queries to verify the contents of databases relating to roaming in other network entities.

The RDV enables a home system to verify that a roaming partner's VLF database is correctly loaded for the MSID number ranges that "belong" to the home service provider. At the request of the HLR, the VLR examines its roamer database to verify that subscribers within the requested MSID range are allowed to roam in the visited system.

The RDV provides a tool to assist in resolving problems experienced by home system subscribers when roaming in the visited system.

The RDV may also be used to verify other message routing databases that may be used to support newer capabilities introduced in IS-41-C or in subsequent intersystem standards, including three message routing databases that may be maintained at a MSC and two message routing databases that may be maintained at a MC.

	Document No.	Version	Status	Issued date	Location
CCSA	CWTS-MC-N.S0025-A	1.0.0	Published	-09-2002	http://www.ccsa.org.cn/english/tc/files.php?docpath=/ITU-T/Q.1742/200306/MC
TIA	TIA/EIA/IS-847-A		Published	-07-2002	http://www.tiaonline.org/standards/catalog/index.cfm
TTA	TTAT.3G-N.S0025-A v1.0.0	1.0.0	Published	21-03-2003	http://www.tta.or.kr/imt2000/TTAT.3G-N.S0025-A v1.0.0.zip

10.2.22.2 N.S0025-B version 1.0.0 roamer database verification revision: B (October 2002)

3GPP2 document was superseded by X.S0021-B v1.0.

This document presents a recommended plan for the implementation of roamer database verification (RDV) for use in the wireless radiotelephone service.

Several types of network entities (NE) can initiate RDV service queries to verify the contents of databases relating to roaming in other network entities.

The RDV enables a home system to verify that a roaming partner's VLF database is correctly loaded for the MSID number ranges that "belong" to the home service provider. At the request of the HLR, the VLR examines its roamer database to verify that subscribers within the requested MSID range are allowed to roam in the visited system.

The RDV may also be used to verify other message routing databases that may be used to support newer capabilities introduced in IS-41-C or in subsequent intersystem standards, including three message routing databases that may be maintained at a MSC and two message routing databases that may be maintained at a MC.

The RDV provides a tool to assist in resolving problems experienced by home system subscribers when roaming in the visited system as well as other message routing database related problems.

This document describes the RDV network capability and the intersystem operations to enable a wireless system to use RDV.

	Document No.	Version	Status	Issued date	Location
CCSA	CCSA-TSD-MC-N.S0025-B	1.0.0	Published	09-2003	http://www.ccsa.org.cn/english/tc/files.php?docpath=/ITU-T/Q.1742/R3-2003-11
TTA	TTAT.3G-N.S0025-B_v1.0	1.0	Published	30-10-2003	http://www.tta.or.kr/standardDB/stnfile/TTAT.3G-N.S0025-B_v1.0.zip

10.2.23 N.S0026 version 1.0.0 wireless radio telecommunication intersystem non-signaling data communication data message handler (August 2000)

This standard is complementary to the ANSI-41, *Cellular Radiotelecommunications Intersystem Operations*, series of standards and identifies wireless services specifically involving non-signaling data communications which require intersystem cooperation. It presents the general background against which those services are to be provided and summarizes the principal considerations which have governed and directed the particular approaches taken in the procedural recommendations.

This standard describes the messages and procedures required to perform call detail record data transmission between systems.

	Document No.	Version	Status	Issued date	Location
CCSA	CWTS-MC-N.S0026	1.0.0	Published	-02-2002	http://www.ccsa.org.cn/english/tc/files.php?docpath=/ITU-R/M.1457/M.1457-4/MC
TIA	TIA/EIA-124-C		Published	-09-2000	http://www.tiaonline.org/standards/catalog/index.cfm
TTA	TTAE.3G-N.S0026 v1.0.0	1.0.0	Published	28-10-2002	http://www.tta.or.kr/standardDB/stnfile/TTAE.3G-N.S0026v1.0.0.pdf

10.2.23.1 N.S0026-A version 1.0.0 wireless radio telecommunication intersystem non-signaling data communication data message handler revision A (December 2001)

This standard is complementary to the ANSI-41, *Cellular radiotelecommunications intersystem operations*, series of standards and identifies wireless services specifically involving non-signaling data communications which require intersystem cooperation. It presents the general background against which those services are to be provided and summarizes the principal considerations which have governed and directed the particular approaches taken in the procedural recommendations.

This standard describes the messages and procedures required to perform call detail record data transmission between systems.

	Document No.	Version	Status	Issued date	Location
CCSA	CCSA-TSD-MC-N.S0026-A	1.0.0	Published	09-2003	http://www.ccsa.org.cn/english/tc/files.php?docpath=/ITU-T/Q.1742/R3-2003-11
TIA	TIA/EIA-124-D		Published	-12-2001	http://www.tiaonline.org/standards/catalog/index.cfm
TTA	TTAT.3G-N.S0026-A_v1.0	1.0	Published	30-10-2003	http://www.tta.or.kr/standardDB/stnfile/TTAT.3G-N.S0026-A_v1.0.zip

10.2.24 N.S0027 version 1.0.0 enhanced international dialing, calling number identification and callback and calling party category identification (April 2001)

This document presents a recommended plan for the implementation of enhanced international dialing, calling number identification and callback, and calling party category identification for use in the wireless radiotelephone service.

	Document No.	Version	Status	Issued date	Location
CCSA	CWTS-MC-N.S0027	1.0.0	Published	-02-2002	http://www.ccsa.org.cn/english/tc/files.php?docpath=/ITU-R/M.1457/M.1457-4/MC
TIA	TIA/EIA/IS-875		Published	-05-2001	http://www.tiaonline.org/standards/catalog/index.cfm
TTA	TTAE.3G-N.S0027 v1.0.0	1.0.0	Published	28-10-2002	http://www.tta.or.kr/standardDB/stnfile/TTAE.3G-N.S0027v1.0.0.pdf
TTC	TS-3GB-N.S0027 v1.0	1.0	Published	29-05-2001	http://www.ttc.or.jp/imt2000/ts/tsns0027-v1.0.pdf

10.2.25 N.S0028 version 1.0.0 network interworking between global system for mobile communications mobile application part and ANSI-41 mobile application part rev. B revision: 0 (April 2002)

3GPP2 document was superseded by X.S0023-B v1.0.

10.2.26 N.S0029 version 1.0.0 TIA/EIA-41 based network enhancements for CDMA Packet data service (C-PDS) phase 1 revision: 0 (June 2002)

This document specifies the wireless intersystem network operation enhancements required for supporting roaming subscribers with packet data service.

	Document No.	Version	Status	Issued date	Location
CCSA	CWTS-MC-N.S0029	1.0.0	Published	-12-2002	http://www.ccsa.org.cn/english/tc/files.php?docpath=/ITU-T/Q.1742/200306/MC
TIA	TIA/EIA-IS-880		Published	-07-2002	http://www.tiaonline.org/standards/catalog/index.cfm
TTA	TTAT.3G-N.S0029-0 v1.0	1.0	Published	21-03-2003	http://www.tta.or.kr/imt2000/TTAT.3G-N.S0029-0 v1.0.zip
TTC	TS-3GB-N.S0029-0 v1.0	1.0	Published	27-08-2002	http://www.ttc.or.jp/imt2000/ts/tsns0029-0v10.pdf

10.2.27 N.S0030 version 1.0.0 enhanced wireless 9-1-1 phase 2 revision: 0 (April 2002)

3GPP2 document was withdrawn.

10.3 Packet data specifications

10.3.1 P.S0001-A version 3.0.0 wireless IP network standard (16 July 2001)

This standard defines requirements for support of wireless packet data networking capability on a third generation wireless system based on cdma2000. This specification is based on P.R0001 "wireless IP architecture based on IETF protocols".

This standard defines the two methods for accessing public networks (Internet) and private networks (Intranets): simple IP and mobile IP, and the required quality of service and accounting support. IETF protocols are widely employed whenever possible to minimize the number of new protocols required and to maximize the utilization of well accepted standards and hence the speed to market. Reference to the required IETF protocols is provided in section 3 of this standard.

	Document No.	Version	Status	Issued date	Location
CCSA	CWTS-MC-P.S0001-A	3.0.0	Published	-02-2002	http://www.ccsa.org.cn/english/tc/files.php?docpath=/ITU-R/M.1457/M.1457-4/MC
TIA	TIA/EIA/IS-835-A		Published	-05-2001	http://www.tiaonline.org/standards/catalog/index.cfm
TTA	TTAE.3G-P.S0001-A v3.0.0	3.0.0	Published	28-10-2002	http://www.tta.or.kr/standardDB/stnfile/TTAE.3G-P.S0001-Av3.0.0.pdf
TTC	TS-3GB-P.S0001-A v3.0	3.0	Published	29-08-2001	http://www.ttc.or.jp/imt2000/ts/tsp0001-A-v3.0.pdf

10.3.2 P.S0001-B version 1.0.0 wireless IP network standard (25 October 2002)

3GPP2 document superseded by X.S0011-C.

10.3.3 P.S0001-B version 2.0 cdma2000 wireless IP network standard (September 2004)

3GPP2 document superseded by X.S0011-C.

10.4 Services and system aspects specifications

10.4.1 S.R0003 version 1.0.0 3GPP2 system capability guide release A (20 January 2000)

3GPP2 document is re-numbered as SC.R2001-001 v1.0.

10.4.1.1 S.R0003-A version 1.0 3GPP2 system capability guide release B (14 June 2001)

This document is re-numbered as SC.R2002-001 v1.0.

10.4.2 S.R0004 version 1.0.0 service implementation guide revision: 0 (20 January 2000)

This service implementation document describes and defines features adopted by 3GPP2 TSG-S. The features descriptions may include both stage 1 and stage 2 functional levels.

	Document No.	Version	Status	Issued date	Location
CCSA	CWTS-MC-S.R0004	1.0.0	Published	-02-2002	http://www.ccsa.org.cn/english/tc/files.php?docpath=/ITU-R/M.1457/M.1457-4/MC
TTA	TTAE.3G-S.R0004 v1.0.0	1.0.0	Published	28-10-2002	http://www.tta.or.kr/standardDB/stnfile/TTAE.3G-S.R0004v1.0.0.pdf
TTC	JP-3GB-S.R0004	1.0.0	Published	31-03-2000	http://www.ttc.or.jp/j/document_list/pdf/j/STD/JP-3GB-S.R0004v1.pdf

10.4.3 S.R0005-B version 1.0 network reference model for cdma2000 spread spectrum systems revision: B (16 April 2001)

This document recommends the basic 3GPP2 wireless network reference model.

	Document No.	Version	Status	Issued date	Location
CCSA	CWTS-MC-S.R0005-B	1.0	Published	-02-2002	http://www.ccsa.org.cn/english/tc/files.php?docpath=/ITU-R/M.1457/M.1457-4/MC
TIA	TSB100-A		Published	-03-2001	http://www.tiaonline.org/standards/catalog/index.cfm
TTA	TTAE.3G-S.R0005-B	1	Published	19-12-2001	http://www.tta.or.kr/standardDB/stnfile/TTAE_3G-S_R0005-B.zip
TTC	TS-3GB-S.R0005-B v1.0	1.0	Published	29-05-2001	http://www.ttc.or.jp/imt2000/ts/tssr0005-B-v10.pdf

10.4.3.1 S.R0005-B version 2.0 network reference model for cdma2000 spread spectrum systems revision: B (May 2007)

This document recommends the basic 3GPP2 wireless network reference model.

	Document No.	Version	Status	Issued date	Location
CCSA	CCSA-TSD-MC-S.R00005-B v2.0	2.0	Published	25-11-2007	http://www.ccsa.org.cn/english/tc/files.php?docpath=/ITU-T/Q.1742/Q.1742-7/
TTA	TTAT.3G-S.R0005-B v2.0	2.0	Published	24-12-2007	http://www.tta.or.kr/standardDB/stnfile/TTAT.3G-S.R0005-B v2.0.zip
TTC	TS-3GB-S.R0005-B v2.0	2.0	Published	07-09-2007	http://www.ttc.or.jp/j/document_list/free/TS/TS-3GB-S.R0005-B v2.0.pdf

10.4.4 S.R0006 version 1.0.0 wireless features description revision: 0 (13 December 1999)

This standard presents a recommended plan for the implementation of uniform features for use in the wireless radiotelephone service. Its intent is to describe services and features so that the manner in which a subscriber may place calls using such features and services may remain reasonably consistent from system to system. It is not intended to require that specific service offerings be required of all service providers.

	Document No.	Version	Status	Issued date	Location
CCSA	CWTS-MC-S.R0006	1.0.0	Published	-02-2002	http://www.ccsa.org.cn/english/tc/files.php?docpath=/ITU-R/M.1457/M.1457-4/MC
TIA	TIA/EIA-664-A		Published	-12-2000	http://www.tiaonline.org/standards/catalog/index.cfm
TTA	TTAE.3G-S.R0006 v1.0.0	1.0.0	Published	28-10-2002	http://www.tta.or.kr/standardDB/stnfile/TTAE.3G-S.R0006v1.0.0.pdf
TTC	JP-3GB-S.R.0006	1	Published	31-03-2000	http://www.ttc.or.jp/imt2000/std/jpsr0006.pdf

10.4.4.1 S.R0006-000-A version 1.0 wireless features description (June 2007)

This specification presents a recommended plan for the implementation of uniform features for use in wireless telecommunications systems. Its intent is to describe services and features so that the manner in which they are used by a subscriber can remain reasonably consistent from system to system. It is not intended to require that specific service offerings be required of all service providers.

	Document No.	Version	Status	Issued date	Location
CCSA	CCSA-TSD-MC-S.R0006-000-A v1.0	1.0	Published	25-11-2007	http://www.ccsa.org.cn/english/tc/files.php?docpath=/ITU-T/Q.1742/Q.1742-7/
TIA	TIA-664-B-3[E]	3	Published	-11-2007	http://www.tiaonline.org/standards/catalog/index.cfm
TTA	TTAT.3G-S.R0006-000-A v1.0	1.0	Published	24-12-2007	http://www.tta.or.kr/standardDB/stnfile/TTAT.3G-S.R0006-000-A v1.0.zip
TTC	TS-3GB-S.R0006-000-A v1.0	1.0	Published	07-09-2007	http://www.ttc.or.jp/j/document_list/free/TS/TS-3GB-S.R0006-000-Av1.0.pdf

10.4.4.2 S.R0006-000-A version 2.0 wireless features description (July 2008)

This specification presents a recommended plan for the implementation of uniform features for use in wireless telecommunications systems. Its intent is to describe services and features so that the manner in which they are used by a subscriber can remain reasonably consistent from system to system. It is not intended to require that specific service offerings be required of all service providers.

	Document No.	Version	Status	Issued date	Location
CCSA	CCSA-TSD-MC-S.R0006-000-A v2.0	2.0	Published	-12-2009	http://www.ccsa.org.cn/english/files.php?docpath=/ITU-T/Q.1742//Q.1742.8

10.4.4.3 S.R0006-100-A version 1.0 wireless features description: general background and assumptions (June 2007)

This specification presents a recommended plan for the implementation of uniform features for use in wireless telecommunications systems. Its intent is to describe services and features so that the manner in which they are used by a subscriber can remain reasonably consistent from system to system. It is not intended to require that specific service offerings be required of all service providers.

	Document No.	Version	Status	Issued date	Location
CCSA	CCSA-TSD-MC-S.R0006-100-A v1.0	1.0	Published	25-11-2007	http://www.ccsa.org.cn/english/tc/files.php?docpath=/ITU-T/Q.1742/Q.1742-7/
TIA	TIA-664.100-B	0	Published	-11-2007	http://www.tiaonline.org/standards/catalog/index.cfm
TTA	TTAT.3G-S.R0006-100-A v1.0	1.0	Published	24-12-2007	http://www.tta.or.kr/standardDB/stnfile/TTAT.3G-S.R0006-100-A v1.0.zip
TTC	TS-3GB-S.R0006-100-A v1.0	1.0	Published	07-09-2007	http://www.ttc.or.jp/j/document_list/free/TS/TS-3GB-S.R0006-100-Av1.0.pdf

10.4.4.4 S.R0006-501-A version 1.0 wireless features description: call delivery (June 2007)

This specification presents a recommended plan for the implementation of uniform features for use in wireless telecommunications systems. Its intent is to describe services and features so that the manner in which they are used by a subscriber can remain reasonably consistent from system to system. It is not intended to require that specific service offerings be required of all service providers.

	Document No.	Version	Status	Issued date	Location
CCSA	CCSA-TSD-MC-S.R0006-501-A v1.0	1.0	Published	25-11-2007	http://www.ccsa.org.cn/english/tc/files.php?docpath=/ITU-T/Q.1742/Q.1742-7/
TIA	TIA-664.501-B	0	Published	-11-2007	http://www.tiaonline.org/standards/catalog/index.cfm
TTA	TTAT.3G-S.R0006-501-A v1.0	1.0	Published	24-12-2007	http://www.tta.or.kr/standardDB/stnfile/TTAT.3G-S.R0006-501-A v1.0.zip
TTC	TS-3GB-S.R0006-501-A v1.0	1.0	Published	07-09-2007	http://www.ttc.or.jp/j/document_list/free/TS/TS-3GB-S.R0006-501-Av1.0.pdf

10.4.4.5 S.R0006-502-A version 1.0 wireless features description: call forwarding-busy (June 2007)

This specification presents a recommended plan for the implementation of uniform features for use in wireless telecommunications systems. Its intent is to describe services and features so that the manner in which they are used by a subscriber can remain reasonably consistent from system to system. It is not intended to require that specific service offerings be required of all service providers.

	Document No.	Version	Status	Issued date	Location
CCSA	CCSA-TSD-MC-S.R0006-502-A v1.0	1.0	Published	25-11-2007	http://www.ccsa.org.cn/english/tc/files.php?docpath=/ITU-T/Q.1742/Q.1742-7/
TIA	TIA-664.502-B	0	Published	-11-2007	http://www.tiaonline.org/standards/catalog/index.cfm
TTA	TTAT.3G-S.R0006-502-A v1.0	1.0	Approved	24-12-2007	http://www.tta.or.kr/standardDB/stnfile/TTAT.3G-S.R0006-502-A v1.0.zip
TTC	TS-3GB-S.R0006-502-A v1.0	1.0	Published	07-09-2007	http://www.ttc.or.jp/j/document_list/free/TS/TS-3GB-S.R0006-502-Av1.0.pdf

10.4.4.6 S.R0006-503-A version 1.0 wireless features description: call forwarding-default (June 2007)

This specification presents a recommended plan for the implementation of uniform features for use in wireless telecommunications systems. Its intent is to describe services and features so that the manner in which they are used by a subscriber can remain reasonably consistent from system to system. It is not intended to require that specific service offerings be required of all service providers.

	Document No.	Version	Status	Issued date	Location
CCSA	CCSA-TSD-MC-S.R0006-503-A v1.0	1.0	Published	25-11-2007	http://www.ccsa.org.cn/english/tc/files.php?docpath=/ITU-T/Q.1742/Q.1742-7/
TIA	TIA-664.503-B	0	Published	-11-2007	http://www.tiaonline.org/standards/catalog/index.cfm
TTA	TTAT.3G-S.R0006-503-A v1.0	1.0	Published	24-12-2007	http://www.tta.or.kr/standardDB/stnfile/TTAT.3G-S.R0006-503-A v1.0.zip
TTC	TS-3GB-S.R0006-503-A v1.0	1.0	Published	07-09-2007	http://www.ttc.or.jp/j/document_list/free/TS/TS-3GB-S.R0006-503-Av1.0.pdf

10.4.4.7 S.R0006-504-A version 1.0 wireless features description: call forwarding-no answer (June 2007)

This specification presents a recommended plan for the implementation of uniform features for use in wireless telecommunications systems. Its intent is to describe services and features so that the manner in which they are used by a subscriber can remain reasonably consistent from system to system. It is not intended to require that specific service offerings be required of all service providers.

	Document No.	Version	Status	Issued date	Location
CCSA	CCSA-TSD-MC-S.R0006-504-A v1.0	1.0	Published	25-11-2007	http://www.ccsa.org.cn/english/tc/files.php?docpath=/ITU-T/Q.1742/Q.1742-7/
TIA	TIA-664-504-B	0	Published	-11-2007	http://www.tiaonline.org/standards/catalog/index.cfm
TTA	TTAT.3G-S.R0006-504-A v1.0	1.0	Published	24-12-2007	http://www.tta.or.kr/standardDB/stnfile/TTA.T.3G-S.R0006-504-A v1.0.zip
TTC	TS-3GB-S.R0006-504-A v1.0	1.0	Published	07-09-2007	http://www.ttc.or.jp/j/document_list/free/TS/TS-3GB-S.R0006-504-Av1.0.pdf

10.4.4.8 S.R0006-505-A version 1.0 wireless features description: call forwarding-unconditional (June 2007)

This specification presents a recommended plan for the implementation of uniform features for use in wireless telecommunications systems. Its intent is to describe services and features so that the manner in which they are used by a subscriber can remain reasonably consistent from system to system. It is not intended to require that specific service offerings be required of all service providers.

	Document No.	Version	Status	Issued date	Location
CCSA	CCSA-TSD-MC-S.R0006-505-A v1.0	1.0	Published	25-11-2007	http://www.ccsa.org.cn/english/tc/files.php?docpath=/ITU-T/Q.1742/Q.1742-7/
TIA	TIA-664-505-B	0	Published	-11-2007	http://www.tiaonline.org/standards/catalog/index.cfm
TTA	TTAT.3G-S.R0006-505-A v1.0	1.0	Published	24-12-2007	http://www.tta.or.kr/standardDB/stnfile/TTA.T.3G-S.R0006-505-A v1.0.zip
TTC	TS-3GB-S.R0006-505-A v1.0	1.0	Published	07-09-2007	http://www.ttc.or.jp/j/document_list/free/TS/TS-3GB-S.R0006-505-Av1.0.pdf

10.4.4.9 S.R0006-506-A version 1.0 wireless features description: call transfer (June 2007)

This specification presents a recommended plan for the implementation of uniform features for use in wireless telecommunications systems. Its intent is to describe services and features so that the manner in which they are used by a subscriber can remain reasonably consistent from system to system. It is not intended to require that specific service offerings be required of all service providers.

	Document No.	Version	Status	Issued date	Location
CCSA	CCSA-TSD-MC-S.R0006-506-A v1.0	1.0	Published	25-11-2007	http://www.ccsa.org.cn/english/tc/files.php?docpath=/ITU-T/Q.1742/Q.1742-7/
TIA	TIA-664-506-B	0	Published	-11-2007	http://www.tiaonline.org/standards/catalog/index.cfm
TTA	TTAT.3G-S.R0006-506-A v1.0	1.0	Published	24-12-2007	http://www.tta.or.kr/standardDB/stnfile/TTA.T.3G-S.R0006-506-A v1.0.zip
TTC	TS-3GB-S.R0006-506-A v1.0	1.0	Published	07-09-2007	http://www.ttc.or.jp/j/document_list/free/TS/TS-3GB-S.R0006-506-Av1.0.pdf

10.4.4.10 S.R0006-507-A version 1.0 wireless features description: call waiting (June 2007)

This specification presents a recommended plan for the implementation of uniform features for use in wireless telecommunications systems. Its intent is to describe services and features so that the manner in which they are used by a subscriber can remain reasonably consistent from system to system. It is not intended to require that specific service offerings be required of all service providers.

	Document No.	Version	Status	Issued date	Location
CCSA	CCSA-TSD-MC-S.R0006-507-A v1.0	1.0	Published	25-11-2007	http://www.ccsa.org.cn/english/tc/files.php?docpath=/ITU-T/Q.1742/Q.1742-7/
TIA	TIA-664-507-B	0	Published	-11-2007	http://www.tiaonline.org/standards/catalog/index.cfm
TTA	TTAT.3G-S.R0006-507-A v1.0	1.0	Published	24-12-2007	http://www.tta.or.kr/standardDB/stnfile/TTAT.3G-S.R0006-507-A v1.0.zip
TTC	TS-3GB-S.R0006-507-A v1.0	1.0	Published	07-09-2007	http://www.ttc.or.jp/j/document_list/free/TS/TS-3GB-S.R0006-507-Av1.0.pdf

10.4.4.11 S.R0006-508-A version 1.0 wireless features description: calling number identification presentation (June 2007)

This specification presents a recommended plan for the implementation of uniform features for use in wireless telecommunications systems. Its intent is to describe services and features so that the manner in which they are used by a subscriber can remain reasonably consistent from system to system. It is not intended to require that specific service offerings be required of all service providers.

	Document No.	Version	Status	Issued date	Location
CCSA	CCSA-TSD-MC-S.R0006-508-A v1.0	1.0	Published	25-11-2007	http://www.ccsa.org.cn/english/tc/files.php?docpath=/ITU-T/Q.1742/Q.1742-7/
TIA	TIA-664-508-B	0	Published	-11-2007	http://www.tiaonline.org/standards/catalog/index.cfm
TTA	TTAT.3G-S.R0006-508-A v1.0	1.0	Published	24-12-2007	http://www.tta.or.kr/standardDB/stnfile/TTAT.3G-S.R0006-508-A v1.0.zip
TTC	TS-3GB-S.R0006-508-A v1.0	1.0	Published	07-09-2007	http://www.ttc.or.jp/j/document_list/free/TS/TS-3GB-S.R0006-508-Av1.0.pdf

10.4.4.12 S.R0006-509-A version 1.0 wireless features description: calling number identification restriction (June 2007)

This specification presents a recommended plan for the implementation of uniform features for use in wireless telecommunications systems. Its intent is to describe services and features so that the manner in which they are used by a subscriber can remain reasonably consistent from system to system. It is not intended to require that specific service offerings be required of all service providers.

	Document No.	Version	Status	Issued date	Location
CCSA	CCSA-TSD-MC-S.R0006-509-A v1.0	1.0	Published	25-11-2007	http://www.ccsa.org.cn/english/tc/files.php?docpath=/ITU-T/Q.1742/Q.1742-7/
TIA	TIA-664-509-B	0	Published	-11-2007	http://www.tiaonline.org/standards/catalog/index.cfm
TTA	TTAT.3G-S.R0006-509-A v1.0	1.0	Published	24-12-2007	http://www.tta.or.kr/standardDB/stnfile/TTAT.3G-S.R0006-509-A v1.0.zip
TTC	TS-3GB-S.R0006-509-A v1.0	1.0	Published	07-09-2007	http://www.ttc.or.jp/j/document_list/free/TS/TS-3GB-S.R0006-509-Av1.0.pdf

10.4.4.13 S.R0006-510-A version 1.0 wireless features description: conference calling (June 2007)

This specification presents a recommended plan for the implementation of uniform features for use in wireless telecommunications systems. Its intent is to describe services and features so that the manner in which they are used by a subscriber can remain reasonably consistent from system to system. It is not intended to require that specific service offerings be required of all service providers.

	Document No.	Version	Status	Issued date	Location
CCSA	CCSA-TSD-MC-S.R0006-510-A v1.0	1.0	Published	25-11-2007	http://www.ccsa.org.cn/english/tc/files.php?docpath=/ITU-T/Q.1742/Q.1742-7/
TIA	TIA-664-510-B	0	Published	-11-2007	http://www.tiaonline.org/standards/catalog/index.cfm
TTA	TTAT.3G-S.R0006-510-A v1.0	1.0	Published	24-12-2007	http://www.tta.or.kr/standardDB/stnfile/TTAT.3G-S.R0006-510-A v1.0.zip
TTC	TS-3GB-S.R0006-510-A v1.0	1.0	Published	07-09-2007	http://www.ttc.or.jp/j/document_list/free/TS/TS-3GB-S.R0006-510-Av1.0.pdf

10.4.4.14 S.R0006-511-A version 1.0 wireless features description: do not disturb (June 2007)

This specification presents a recommended plan for the implementation of uniform features for use in wireless telecommunications systems. Its intent is to describe services and features so that the manner in which they are used by a subscriber can remain reasonably consistent from system to system. It is not intended to require that specific service offerings be required of all service providers.

	Document No.	Version	Status	Issued date	Location
CCSA	CCSA-TSD-MC-S.R0006-511-A v1.0	1.0	Published	25-11-2007	http://www.ccsa.org.cn/english/tc/files.php?docpath=/ITU-T/Q.1742/Q.1742-7/
TIA	TIA-664-511-B	0	Published	-11-2007	http://www.tiaonline.org/standards/catalog/index.cfm
TTA	TTAT.3G-S.R0006-511-A v1.0	1.0	Published	24-12-2007	http://www.tta.or.kr/standardDB/stnfile/TTAT.3G-S.R0006-511-A v1.0.zip
TTC	TS-3GB-S.R0006-511-A v1.0	1.0	Published	07-09-2007	http://www.ttc.or.jp/j/document_list/free/TS/TS-3GB-S.R0006-511-Av1.0.pdf

10.4.4.15 S.R0006-512-A version 1.0 Wireless features description: flexible alerting (June 2007)

This specification presents a recommended plan for the implementation of uniform features for use in wireless telecommunications systems. Its intent is to describe services and features so that the manner in which they are used by a subscriber can remain reasonably consistent from system to system. It is not intended to require that specific service offerings be required of all service providers.

	Document No.	Version	Status	Issued date	Location
CCSA	CCSA-TSD-MC-S.R0006-512-A v1.0	1.0	Published	25-11-2007	http://www.ccsa.org.cn/english/tc/files.php?docpath=/ITU-T/Q.1742/Q.1742-7/
TIA	TIA-664-512-B	0	Published	-11-2007	http://www.tiaonline.org/standards/catalog/index.cfm
TTA	TTAT.3G-S.R0006-512-A v1.0	1.0	Published	24-12-2007	http://www.tta.or.kr/standardDB/stnfile/TTAT.3G-S.R0006-512-A v1.0.zip
TTC	TS-3GB-S.R0006-512-A v1.0	1.0	Published	07-09-2007	http://www.ttc.or.jp/j/document_list/free/TS/TS-3GB-S.R0006-512-Av1.0.pdf

10.4.4.16 S.R0006-513-A version 1.0 wireless features description: message waiting notification (June 2007)

This specification presents a recommended plan for the implementation of uniform features for use in wireless telecommunications systems. Its intent is to describe services and features so that the manner in which they are used by a subscriber can remain reasonably consistent from system to system. It is not intended to require that specific service offerings be required of all service providers.

	Document No.	Version	Status	Issued date	Location
CCSA	CCSA-TSD-MC-S.R0006-513-A v1.0	1.0	Published	25-11-2007	http://www.ccsa.org.cn/english/tc/files.php?docpath=/ITU-T/Q.1742/Q.1742-7/
TIA	TIA-664-513-B	0	Published	-11-2007	http://www.tiaonline.org/standards/catalog/index.cfm
TTA	TTAT.3G-S.R0006-513-A v1.0	1.0	Published	24-12-2007	http://www.tta.or.kr/standardDB/stnfile/TTAT.3G-S.R0006-513-A v1.0.zip
TTC	TS-3GB-S.R0006-513-A v1.0	1.0	Published	07-09-2007	http://www.ttc.or.jp/j/document_list/free/TS/TS-3GB-S.R0006-513-Av1.0.pdf

10.4.4.17 S.R0006-514-A version 1.0 wireless features description: mobile access hunting (June 2007)

This specification presents a recommended plan for the implementation of uniform features for use in wireless telecommunications systems. Its intent is to describe services and features so that the manner in which they are used by a subscriber can remain reasonably consistent from system to system. It is not intended to require that specific service offerings be required of all service providers.

	Document No.	Version	Status	Issued date	Location
CCSA	CCSA-TSD-MC-S.R0006-514-A v1.0	1.0	Published	25-11-2007	http://www.ccsa.org.cn/english/tc/files.php?docpath=/ITU-T/Q.1742/Q.1742-7/
TIA	TIA-664-514-B	0	Published	-11-2007	http://www.tiaonline.org/standards/catalog/index.cfm
TTA	TTAT.3G-S.R0006-514-A v1.0	1.0	Published	24-12-2007	http://www.tta.or.kr/standardDB/stnfile/TTAT.3G-S.R0006-514-A v1.0.zip
TTC	TS-3GB-S.R0006-514-A v1.0	1.0	Published	07-09-2007	http://www.ttc.or.jp/j/document_list/free/TS/TS-3GB-S.R0006-514-Av1.0.pdf

10.4.4.18 S.R0006-515-A version 1.0 wireless features description: password call acceptance (June 2007)

This specification presents a recommended plan for the implementation of uniform features for use in wireless telecommunications systems. Its intent is to describe services and features so that the manner in which they are used by a subscriber can remain reasonably consistent from system to system. It is not intended to require that specific service offerings be required of all service providers.

	Document No.	Version	Status	Issued date	Location
CCSA	CCSA-TSD-MC-S.R0006-515-A v1.0	1.0	Published	25-11-2007	http://www.ccsa.org.cn/english/tc/files.php?docpath=/ITU-T/Q.1742/Q.1742-7/
TIA	TIA-664-515-B	0	Published	-11-2007	http://www.tiaonline.org/standards/catalog/index.cfm
TTA	TTAT.3G-S.R0006-515-A v1.0	1.0	Published	24-12-2007	http://www.tta.or.kr/standardDB/stnfile/TTAT.3G-S.R0006-515-A v1.0.zip
TTC	TS-3GB-S.R0006-515-A v1.0	1.0	Published	07-09-2007	http://www.ttc.or.jp/j/document_list/free/TS/TS-3GB-S.R0006-515-Av1.0

10.4.4.19 S.R0006-516-A version 1.0 wireless features description: preferred language (June 2007)

This specification presents a recommended plan for the implementation of uniform features for use in wireless telecommunications systems. Its intent is to describe services and features so that the manner in which they are used by a subscriber can remain reasonably consistent from system to

system. It is not intended to require that specific service offerings be required of all service providers.

	Document No.	Version	Status	Issued date	Location
CCSA	CCSA-TSD-MC-S.R0006-516-A v1.0	1.0	Published	25-11-2007	http://www.ccsa.org.cn/english/tc/files.php?docpath=/ITU-T/Q.1742/Q.1742-7/
TIA	TIA-664-516-B	0	Published	-11-2007	http://www.tiaonline.org/standards/catalog/index.cfm
TTA	TTAT.3G-S.R0006-516-A v1.0	1.0	Published	24-12-2007	http://www.tta.or.kr/standardDB/stnfile/TTAT.3G-S.R0006-516-A v1.0.zip
TTC	TS-3GB-S.R0006-516-A v1.0	1.0	Published	07-09-2007	http://www.ttc.or.jp/document_list/free/TS/TS-3GB-S.R0006-516-Av1.0.pdf

10.4.4.20 S.R0006-517-A version 1.0 wireless features description: priority access and channel assignment (June 2007)

This specification presents a recommended plan for the implementation of uniform features for use in wireless telecommunications systems. Its intent is to describe services and features so that the manner in which they are used by a subscriber can remain reasonably consistent from system to system. It is not intended to require that specific service offerings be required of all service providers.

	Document No.	Version	Status	Issued date	Location
CCSA	CCSA-TSD-MC-S.R0006-517-A v1.0	1.0	Published	25-11-2007	http://www.ccsa.org.cn/english/tc/files.php?docpath=/ITU-T/Q.1742/Q.1742-7/
TIA	TIA-664-517-B	0	Published	-11-2007	http://www.tiaonline.org/standards/catalog/index.cfm
TTA	TTAT.3G-S.R0006-517-A v1.0	1.0	Published	24-12-2007	http://www.tta.or.kr/standardDB/stnfile/TTAT.3G-S.R0006-517-A v1.0.zip
TTC	TS-3GB-S.R0006-517-A v1.0	1.0	Published	07-09-2007	http://www.ttc.or.jp/document_list/free/TS/TS-3GB-S.R0006-517-Av1.0.pdf

10.4.4.21 S.R0006-518-A version 1.0 wireless features description: remote feature control (June 2007)

This specification presents a recommended plan for the implementation of uniform features for use in wireless telecommunications systems. Its intent is to describe services and features so that the manner in which they are used by a subscriber can remain reasonably consistent from system to system. It is not intended to require that specific service offerings be required of all service providers.

	Document No.	Version	Status	Issued date	Location
CCSA	CCSA-TSD-MC-S.R0006-518-A v1.0	1.0	Published	25-11-2007	http://www.ccsa.org.cn/english/tc/files.php?docpath=/ITU-T/Q.1742/Q.1742-7/
TIA	TIA-664-518-B	0	Published	-11-2007	http://www.tiaonline.org/standards/catalog/index.cfm
TTA	TTAT.3G-S.R0006-518-A v1.0	1.0	Published	24-12-2007	http://www.tta.or.kr/standardDB/stnfile/TTAT.3G-S.R0006-518-A v1.0.zip
TTC	TS-3GB-S.R0006-518-A v1.0	1.0	Published	07-09-2007	http://www.ttc.or.jp/document_list/free/TS/TS-3GB-S.R0006-518-Av1.0.pdf

10.4.4.22 S.R0006-519-A version 1.0 wireless features description: selective call acceptance (June 2007)

This specification presents a recommended plan for the implementation of uniform features for use in wireless telecommunications systems. Its intent is to describe services and features so that the

manner in which they are used by a subscriber can remain reasonably consistent from system to system. It is not intended to require that specific service offerings be required of all service providers.

	Document No.	Version	Status	Issued date	Location
CCSA	CCSA-TSD-MC-S.R0006-519-A v1.0	1.0	Published	25-11-2007	http://www.ccsa.org.cn/english/tc/files.php?docpath=/ITU-T/Q.1742/Q.1742-7/
TIA	TIA-664-519-B	0	Published	-11-2007	http://www.tiaonline.org/standards/catalog/index.cfm
TTA	TTAT.3G-S.R0006-519-A v1.0	1.0	Published	24-12-2007	http://www.tta.or.kr/standardDB/stnfile/TTAT.3G-S.R0006-519-A v1.0.zip
TTC	TS-3GB-S.R0006-519-A v1.0	1.0	Published	07-09-2007	http://www.ttc.or.jp/j/document_list/free/TS/TS-3GB-S.R0006-519-Av1.0.pdf

10.4.4.23 S.R0006-520-A version 1.0 wireless features description: subscriber PIN access (June 2007)

This specification presents a recommended plan for the implementation of uniform features for use in wireless telecommunications systems. Its intent is to describe services and features so that the manner in which they are used by a subscriber can remain reasonably consistent from system to system. It is not intended to require that specific service offerings be required of all service providers.

	Document No.	Version	Status	Issued date	Location
CCSA	CCSA-TSD-MC-S.R0006-520-A v1.0	1.0	Published	25-11-2007	http://www.ccsa.org.cn/english/tc/files.php?docpath=/ITU-T/Q.1742/Q.1742-7/
TIA	TIA-664-520-B	0	Published	-11-2007	http://www.tiaonline.org/standards/catalog/index.cfm
TTA	TTAT.3G-S.R0006-520-A v1.0	1.0	Published	24-12-2007	http://www.tta.or.kr/standardDB/stnfile/TTAT.3G-S.R0006-520-A v1.0.zip
TTC	TS-3GB-S.R0006-520-A v1.0	1.0	Published	07-09-2007	http://www.ttc.or.jp/j/document_list/free/TS/TS-3GB-S.R0006-520-Av1.0.pdf

10.4.4.24 S.R0006-521-A version 1.0 wireless features description: subscriber pin intercept (June 2007)

This specification presents a recommended plan for the implementation of uniform features for use in wireless telecommunications systems. Its intent is to describe services and features so that the manner in which they are used by a subscriber can remain reasonably consistent from system to system. It is not intended to require that specific service offerings be required of all service providers.

	Document No.	Version	Status	Issued date	Location
CCSA	CCSA-TSD-MC-S.R0006-521-A v1.0	1.0	Published	25-11-2007	http://www.ccsa.org.cn/english/tc/files.php?docpath=/ITU-T/Q.1742/Q.1742-7/
TIA	TIA-664-521-B	0	Published	-11-2007	http://www.tiaonline.org/standards/catalog/index.cfm
TTA	TTAT.3G-S.R0006-521-A v1.0	1.0	Published	24-12-2007	http://www.tta.or.kr/standardDB/stnfile/TTAT.3G-S.R0006-521-A v1.0.zip
TTC	TS-3GB-S.R0006-521-A v1.0	1.0	Published	07-09-2007	http://www.ttc.or.jp/j/document_list/free/TS/TS-3GB-S.R0006-521-Av1.0.pdf

10.4.4.25 S.R0006-522-A version 1.0 wireless features description: three way calling (June 2007)

This specification presents a recommended plan for the implementation of uniform features for use in wireless telecommunications systems. Its intent is to describe services and features so that the manner in which they are used by a subscriber can remain reasonably consistent from system to system. It is not intended to require that specific service offerings be required of all service providers.

	Document No.	Version	Status	Issued date	Location
CCSA	CCSA-TSD-MC-S.R0006-522-A v1.0	1.0	Published	25-11-2007	http://www.ccsa.org.cn/english/tc/files.php?docpath=/ITU-T/Q.1742/Q.1742-7/
TIA	TIA-664-522-B	0	Published	-11-2007	http://www.tiaonline.org/standards/catalog/index.cfm
TTA	TTAT.3G-S.R0006-522-A v1.0	1.0	Published	24-12-2007	http://www.tta.or.kr/standardDB/stnfile/TTAT.3G-S.R0006-522-A v1.0.zip
TTC	TS-3GB-S.R0006-522-A v1.0	1.0	Published	07-09-2007	http://www.ttc.or.jp/j/document_list/free/TS/TS-3GB-S.R0006-522-Av1.0.pdf

10.4.4.26 S.R0006-523-A version 1.0 wireless features description: voice message retrieval (June 2007)

This specification presents a recommended plan for the implementation of uniform features for use in wireless telecommunications systems. Its intent is to describe services and features so that the manner in which they are used by a subscriber can remain reasonably consistent from system to system. It is not intended to require that specific service offerings be required of all service providers.

	Document No.	Version	Status	Issued date	Location
CCSA	CCSA-TSD-MC-S.R0006-523.A v1.0	1.0	Published	25-11-2007	http://www.ccsa.org.cn/english/tc/files.php?docpath=/ITU-T/Q.1742/Q.1742-7/
TIA	TIA-664-523-B	0	Published	-11-2007	http://www.tiaonline.org/standards/catalog/index.cfm
TTA	TTAT.3G-S.R0006-523-A v1.0	1.0	Published	24-12-2007	http://www.tta.or.kr/standardDB/stnfile/TTAT.3G-S.R0006-523.A v1.0.zip
TTC	TS-3GB-S.R0006-523-A v1.0	1.0	Published	07-09-2007	http://www.ttc.or.jp/j/document_list/free/TS/TS-3GB-S.R0006-523-Av1.0.pdf

10.4.4.27 S.R0006-524-A version 1.0 wireless features description: voice privacy (June 2007)

This specification presents a recommended plan for the implementation of uniform features for use in wireless telecommunications systems. Its intent is to describe services and features so that the manner in which they are used by a subscriber can remain reasonably consistent from system to system. It is not intended to require that specific service offerings be required of all service providers.

	Document No.	Version	Status	Issued date	Location
CCSA	CCSA-TSD-MC-S.R0006-524-A v1.0	1.0	Published	25-11-2007	http://www.ccsa.org.cn/english/tc/files.php?docpath=/ITU-T/Q.1742/Q.1742-7/
TIA	TIA-664-524-B	0	Published	-11-2007	http://www.tiaonline.org/standards/catalog/index.cfm
TTA	TTAT.3G-S.R0006-524-A v1.0	1.0	Published	24-12-2007	http://www.tta.or.kr/standardDB/stnfile/TTAT.3G-S.R0006-524.A v1.0.zip
TTC	TS-3GB-S.R0006-524-A v1.0	1.0	Published	07-09-2007	http://www.ttc.or.jp/j/document_list/free/TS/TS-3GB-S.R0006-524-Av1.0.pdf

10.4.4.28 S.R0006-525-A version 1.0 wireless features description: asynchronous data service (June 2007)

This specification presents a recommended plan for the implementation of uniform features for use in wireless telecommunications systems. Its intent is to describe services and features so that the manner in which they are used by a subscriber can remain reasonably consistent from system to system. It is not intended to require that specific service offerings be required of all service providers.

	Document No.	Version	Status	Issued date	Location
CCSA	CCSA-TSD-MC-S.R0006-525-A v1.0	1.0	Published	25-11-2007	http://www.ccsa.org.cn/english/tc/files.php?docpath=/ITU-T/Q.1742/Q.1742-7/
TIA	TIA-664-525-B	0	Published	-11-2007	http://www.tiaonline.org/standards/catalog/index.cfm
TTA	TTAT.3G-S.R0006-525-A v1.0	1.0	Published	24-12-2007	http://www.tta.or.kr/standardDB/stnfile/TTAT.3G-S.R0006-525-A v1.0.zip
TTC	TS-3GB-S.R0006-525-A v1.0	1.0	Published	07-09-2007	http://www.ttc.or.jp/j/document_list/free/TS/TS-3GB-S.R0006-525-Av1.0.pdf

10.4.4.29 S.R0006-526-A version 1.0 wireless features description: calling name presentation (June 2007)

This specification presents a recommended plan for the implementation of uniform features for use in wireless telecommunications systems. Its intent is to describe services and features so that the manner in which they are used by a subscriber can remain reasonably consistent from system to system. It is not intended to require that specific service offerings be required of all service providers.

	Document No.	Version	Status	Issued date	Location
CCSA	CCSA-TSD-MC-S.R0006-526-A v1.0	1.0	Published	25-11-2007	http://www.ccsa.org.cn/english/tc/files.php?docpath=/ITU-T/Q.1742/Q.1742-7/
TIA	TIA-664-526-B	0	Published	-11-2007	http://www.tiaonline.org/standards/catalog/index.cfm
TTA	TTAT.3G-S.R0006-526-A v1.0	1.0	Published	24-12-2007	http://www.tta.or.kr/standardDB/stnfile/TTAT.3G-S.R0006-526-A v1.0.zip
TTC	TS-3GB-S.R0006-526-A v1.0	1.0	Published	07-09-2007	http://www.ttc.or.jp/j/document_list/free/TS/TS-3GB-S.R0006-526-Av1.0

10.4.4.30 S.R0006-527-A version 1.0 wireless features description: calling name restriction (June 2007)

This specification presents a recommended plan for the implementation of uniform features for use in wireless telecommunications systems. Its intent is to describe services and features so that the manner in which they are used by a subscriber can remain reasonably consistent from system to system. It is not intended to require that specific service offerings be required of all service providers.

	Document No.	Version	Status	Issued date	Location
CCSA	CCSA-TSD-MC-S.R0006-527-A v1.0	1.0	Published	25-11-2007	http://www.ccsa.org.cn/english/tc/files.php?docpath=/ITU-T/Q.1742/Q.1742-7/
TIA	TIA-664-527-B	0	Published	-11-2007	http://www.tiaonline.org/standards/catalog/index.cfm
TTA	TTAT.3G-S.R0006-527-A v1.0	1.0	Published	24-12-2007	http://www.tta.or.kr/standardDB/stnfile/TTAT.3G-S.R0006-527-A v1.0.zip
TTC	TS-3GB-S.R0006-527-A v1.0	1.0	Published	07-09-2007	http://www.ttc.or.jp/j/document_list/free/TS/TS-3GB-S.R0006-527-Av1.0.pdf

10.4.4.31 S.R0006-528-A version 1.0 wireless features description: data privacy (June 2007)

This specification presents a recommended plan for the implementation of uniform features for use in wireless telecommunications systems. Its intent is to describe services and features so that the manner in which they are used by a subscriber can remain reasonably consistent from system to system. It is not intended to require that specific service offerings be required of all service providers.

	Document No.	Version	Status	Issued date	Location
CCSA	CCSA-TSD-MC-S.R0006-528-A v1.0	1.0	Published	25-11-2007	http://www.ccsa.org.cn/english/tc/files.php?docpath=/ITU-T/Q.1742/Q.1742-7/
TIA	TIA-664-528-B	0	Published	-11-2007	http://www.tiaonline.org/standards/catalog/index.cfm
TTA	TTAT.3G-S.R0006-528-A v1.0	1.0	Published	24-12-2007	http://www.tta.or.kr/standardDB/stnfile/TTAT.3G-S.R0006-528-A v1.0.zip
TTC	TS-3GB-S.R0006-528-A v1.0	1.0	Published	07-09-2007	http://www.ttc.or.jp/j/document_list/free/TS/TS-3GB-S.R0006-528-Av1.0.pdf

10.4.4.32 S.R0006-529-A version 1.0 wireless features description: emergency services (June 2007)

This specification presents a recommended plan for the implementation of uniform features for use in wireless telecommunications systems. Its intent is to describe services and features so that the manner in which they are used by a subscriber can remain reasonably consistent from system to system. It is not intended to require that specific service offerings be required of all service providers.

	Document No.	Version	Status	Issued date	Location
CCSA	CCSA-TSD-MC-S.R0006-529-A v1.0	1.0	Published	25-11-2007	http://www.ccsa.org.cn/english/tc/files.php?docpath=/ITU-T/Q.1742/Q.1742-7/
TIA	TIA-664-529-B	0	Published	-11-2007	http://www.tiaonline.org/standards/catalog/index.cfm
TTA	TTAT.3G-S.R0006-529-A v1.0	1.0	Published	24-12-2007	http://www.tta.or.kr/standardDB/stnfile/TTAT.3G-S.R0006-529-A v1.0.zip
TTC	TS-3GB-S.R0006-529-A v1.0	1.0	Published	07-09-2007	http://www.ttc.or.jp/j/document_list/free/TS/TS-3GB-S.R0006-529-Av1.0.pdf

10.4.4.33 S.R0006-530-A version 1.0 wireless features description: group 3 facsimile service (June 2007)

This specification presents a recommended plan for the implementation of uniform features for use in wireless telecommunications systems. Its intent is to describe services and features so that the manner in which they are used by a subscriber can remain reasonably consistent from system to system. It is not intended to require that specific service offerings be required of all service providers.

	Document No.	Version	Status	Issued date	Location
CCSA	CCSA-TSD-MC-S.R0006-530-A v1.0	1.0	Published	25-11-2007	http://www.ccsa.org.cn/english/tc/files.php?docpath=/ITU-T/Q.1742/Q.1742-7/
TIA	TIA-664-530-B	0	Published	-11-2007	http://www.tiaonline.org/standards/catalog/index.cfm
TTA	TTAT.3G-S.R0006-530-A v1.0	1.0	Published	24-12-2007	http://www.tta.or.kr/standardDB/stnfile/TTAT.3G-S.R0006-530-A v1.0.zip
TTC	TS-3GB-S.R0006-530-A v1.0	1.0	Published	07-09-2007	http://www.ttc.or.jp/j/document_list/free/TS/TS-3GB-S.R0006-530-Av1.0.pdf

10.4.4.34 S.R0006-531-A version 1.0 wireless features description: network directed system selection (June 2007)

This specification presents a recommended plan for the implementation of uniform features for use in wireless telecommunications systems. Its intent is to describe services and features so that the manner in which they are used by a subscriber can remain reasonably consistent from system to system. It is not intended to require that specific service offerings be required of all service providers.

	Document No.	Version	Status	Issued date	Location
CCSA	CCSA-TSD-MC-S.R0006-531-A v1.0	1.0	Published	25-11-2007	http://www.ccsa.org.cn/english/tc/files.php?docpath=/ITU-T/Q.1742/Q.1742-7/
TIA	TIA-664-531-B	0	Published	-11-2007	http://www.tiaonline.org/standards/catalog/index.cfm
TTA	TTAT.3G-S.R0006-531-A v1.0	1.0	Published	24-12-2007	http://www.tta.or.kr/standardDB/stnfile/TTA_T.3G-S.R0006-531-A_v1.0.zip
TTC	TS-3GB-S.R0006-531-A v1.0	1.0	Published	07-09-2007	http://www.ttc.or.jp/j/document_list/free/TS/TS-3GB-S.R0006-531-Av1.0.pdf

10.4.4.35 S.R0006-532-A version 1.0 wireless features description: non-public service mode (June 2007)

This specification presents a recommended plan for the implementation of uniform features for use in wireless telecommunications systems. Its intent is to describe services and features so that the manner in which they are used by a subscriber can remain reasonably consistent from system to system. It is not intended to require that specific service offerings be required of all service providers.

	Document No.	Version	Status	Issued date	Location
CCSA	CCSA-TSD-MC-S.R0006-532-A v1.0	1.0	Published	25-11-2007	http://www.ccsa.org.cn/english/tc/files.php?docpath=/ITU-T/Q.1742/Q.1742-7/
TIA	TIA-664-532-B	0	Published	-11-2007	http://www.tiaonline.org/standards/catalog/index.cfm
TTA	TTAT.3G-S.R0006-532-A v1.0	1.0	Published	24-12-2007	http://www.tta.or.kr/standardDB/stnfile/TTA_T.3G-S.R0006-532-A_v1.0.zip
TTC	TS-3GB-S.R0006-532-A v1.0	1.0	Published	07-09-2007	http://www.ttc.or.jp/j/document_list/free/TS/TS-3GB-S.R0006-532-Av1.0.pdf

10.4.4.36 S.R0006-533-A version 1.0 wireless features description: over-the-air service provisioning (June 2007)

This specification presents a recommended plan for the implementation of uniform features for use in wireless telecommunications systems. Its intent is to describe services and features so that the manner in which they are used by a subscriber can remain reasonably consistent from system to system. It is not intended to require that specific service offerings be required of all service providers.

	Document No.	Version	Status	Issued date	Location
CCSA	CCSA-TSD-MC-S.R0006-533-A v1.0	1.0	Published	25-11-2007	http://www.ccsa.org.cn/english/tc/files.php?docpath=/ITU-T/Q.1742/Q.1742-7/
TIA	TIA-664-533-B	0	Published	-11-2007	http://www.tiaonline.org/standards/catalog/index.cfm
TTA	TTAT.3G-S.R0006-533-A v1.0	1.0	Published	24-12-2007	http://www.tta.or.kr/standardDB/stnfile/TTAT.3G-S.R0006-533-A v1.0.zip
TTC	TS-3GB-S.R0006-533-A v1.0	1.0	Published	07-09-2007	http://www.ttc.or.jp/j/document_list/free/TS/TS-3GB-S.R0006-533-Av1.0.pdf

10.4.4.37 S.R0006-534-A version 1.0 wireless features description: service negotiation (June 2007)

This specification presents a recommended plan for the implementation of uniform features for use in wireless telecommunications systems. Its intent is to describe services and features so that the manner in which they are used by a subscriber can remain reasonably consistent from system to system. It is not intended to require that specific service offerings be required of all service providers.

	Document No.	Version	Status	Issued date	Location
CCSA	CCSA-TSD-MC-S.R0006-534-A v1.0	1.0	Published	25-11-2007	http://www.ccsa.org.cn/english/tc/files.php?docpath=/ITU-T/Q.1742/Q.1742-7/
TIA	TIA-664-534-A	0	Published	-11-2007	http://www.tiaonline.org/standards/catalog/index.cfm
TTA	TTAT.3G-S.R0006-534-A v1.0	1.0	Published	24-12-2007	http://www.tta.or.kr/standardDB/stnfile/TTAT.3G-S.R0006-534-A v1.0.zip
TTC	TS-3GB-S.R0006-534-A v1.0	1.0	Published	07-09-2007	http://www.ttc.or.jp/j/document_list/free/TS/TS-3GB-S.R0006-534-Av1.0.pdf

10.4.4.38 S.R0006-535-A version 1.0 wireless features description: user group (June 2007)

This specification presents a recommended plan for the implementation of uniform features for use in wireless telecommunications systems. Its intent is to describe services and features so that the manner in which they are used by a subscriber can remain reasonably consistent from system to system. It is not intended to require that specific service offerings be required of all service providers.

	Document No.	Version	Status	Issued date	Location
CCSA	CCSA-TSD-MC-S.R0006-535-A v1.0	1.0	Published	25-11-2007	http://www.ccsa.org.cn/english/tc/files.php?docpath=/ITU-T/Q.1742/Q.1742-7/
TIA	TIA-664-535-B	0	Published	-11-2007	http://www.tiaonline.org/standards/catalog/index.cfm
TTA	TTAT.3G-S.R0006-535-A v1.0	1.0	Published	24-12-2007	http://www.tta.or.kr/standardDB/stnfile/TTAT.3G-S.R0006-535-A v1.0.zip
TTC	TS-3GB-S.R0006-535-A v1.0	1.0	Published	07-09-2007	http://www.ttc.or.jp/j/document_list/free/TS/TS-3GB-S.R0006-535-Av1.0.pdf

10.4.4.39 S.R0006-536-A version 1.0 wireless features description: group 3 analog fax (June 2007)

This specification presents a recommended plan for the implementation of uniform features for use in wireless telecommunications systems. Its intent is to describe services and features so that the manner in which they are used by a subscriber can remain reasonably consistent from system to system. It is not intended to require that specific service offerings be required of all service providers.

	Document No.	Version	Status	Issued date	Location
CCSA	CCSA-TSD-MC-S.R0006-536-A v1.0	1.0	Published	25-11-2007	http://www.ccsa.org.cn/english/tc/files.php?docpath=/ITU-T/Q.1742/Q.1742-7/
TIA	TIA-664-536-B	0	Published	-11-2007	http://www.tiaonline.org/standards/catalog/index.cfm
TTA	TTAT.3G-S.R0006-536-A v1.0	1.0	Published	24-12-2007	http://www.tta.or.kr/standardDB/stnfile/TTAT.3G-S.R0006-536-A v1.0.zip
TTC	TS-3GB-S.R0006-536-A v1.0	1.0	Published	07-09-2007	http://www.ttc.or.jp/j/document_list/free/TS/TS-3GB-S.R0006-536-Av1.0.pdf

10.4.4.40 S.R0006-537-A version 1.0 wireless intelligent network feature descriptions (June 2007)

This specification presents a recommended plan for the implementation of uniform features for use in wireless telecommunications systems. Its intent is to describe services and features so that the manner in which they are used by a subscriber can remain reasonably consistent from system to system. It is not intended to require that specific service offerings be required of all service providers.

	Document No.	Version	Status	Issued date	Location
CCSA	CCSA-TSD-MC-S.R0006-537-A v1.0	1.0	Published	25-11-2007	http://www.ccsa.org.cn/english/tc/files.php?docpath=/ITU-T/Q.1742/Q.1742-7/
TIA	TIA-664-537-B	0	Published	-11-2007	http://www.tiaonline.org/standards/catalog/index.cfm
TTA	TTAT.3G-S.R0006-537-A v1.0	1.0	Published	24-12-2007	http://www.tta.or.kr/standardDB/stnfile/TTAT.3G-S.R0006-537-A v1.0.zip
TTC	TS-3GB-S.R0006-537-A v1.0	1.0	Published	07-09-2007	http://www.ttc.or.jp/j/document_list/free/TS/TS-3GB-S.R0006-537-Av1.0.pdf

10.4.4.41 S.R0006-601-A version 1.0 wireless features description: short message delivery point-to-point bearer service (June 2007)

This specification presents a recommended plan for the implementation of uniform features for use in wireless telecommunications systems. Its intent is to describe services and features so that the manner in which they are used by a subscriber can remain reasonably consistent from system to system. It is not intended to require that specific service offerings be required of all service providers.

	Document No.	Version	Status	Issued date	Location
CCSA	CCSA-TSD-MC-S.R0006-601-A v1.0	1.0	Published	25-11-2007	http://www.ccsa.org.cn/english/tc/files.php?docpath=/ITU-T/Q.1742/Q.1742-7/
TIA	TIA-664-601-B	0	Published	-11-2007	http://www.tiaonline.org/standards/catalog/index.cfm
TTA	TTAT.3G-S.R0006-601-A v1.0	1.0	Published	24-12-2007	http://www.tta.or.kr/standardDB/stnfile/TTAT.3G-S.R0006-601-A v1.0.zip
TTC	TS-3GB-S.R0006-601-A v1.0	1.0	Published	07-09-2007	http://www.ttc.or.jp/j/document_list/free/TS/TS-3GB-S.R0006-601-Av1.0.pdf

10.4.4.42 S.R0006-602-A version 1.0 wireless features description: wireless messaging teleservice (June 2007)

This specification presents a recommended plan for the implementation of uniform features for use in wireless telecommunications systems. Its intent is to describe services and features so that the manner in which they are used by a subscriber can remain reasonably consistent from system to system. It is not intended to require that specific service offerings be required of all service providers.

	Document No.	Version	Status	Issued date	Location
CCSA	CCSA-TSD-MC-S.R0006-602-A v1.0	1.0	Published	25-11-2007	http://www.ccsa.org.cn/english/tc/files.php?docpath=/ITU-T/Q.1742/Q.1742-7/
TIA	TIA-664-602-B	0	Published	-11-2007	http://www.tiaonline.org/standards/catalog/index.cfm
TTA	TTAT.3G-S.R0006-602-A v1.0	1.0	Published	24-12-2007	http://www.tta.or.kr/standardDB/stnfile/TTAT.3G-S.R0006-602-A v1.0.zip
TTC	TS-3GB-S.R0006-602-A v1.0	1.0	Published	07-09-2007	http://www.ttc.or.jp/j/document_list/free/TS/TS-3GB-S.R0006-602-Av1.0.pdf

10.4.4.43 S.R0006-603-A version 1.0 wireless features description: wireless paging teleservice (June 2007)

This specification presents a recommended plan for the implementation of uniform features for use in wireless telecommunications systems. Its intent is to describe services and features so that the manner in which they are used by a subscriber can remain reasonably consistent from system to system. It is not intended to require that specific service offerings be required of all service providers.

	Document No.	Version	Status	Issued date	Location
CCSA	CCSA-TSD-MC-S.R0006-603-A v1.0	1.0	Published	25-11-2007	http://www.ccsa.org.cn/english/tc/files.php?docpath=/ITU-T/Q.1742/Q.1742-7/
TIA	TIA-664-603-B	0	Published	-11-2007	http://www.tiaonline.org/standards/catalog/index.cfm
TTA	TTAT.3G-S.R0006-603-A v1.0	1.0	Published	24-12-2007	http://www.tta.or.kr/standardDB/stnfile/TTAT.3G-S.R0006-603-A v1.0.zip
TTC	TS-3GB-S.R0006-603-A v1.0	1.0	Published	07-09-2007	http://www.ttc.or.jp/j/document_list/free/TS/TS-3GB-S.R0006-603-Av1.0.pdf

10.4.4.44 S.R0006-701-A version 1.0 wireless features description: mobile station functionality (June 2007)

This specification presents a recommended plan for the implementation of uniform features for use in wireless telecommunications systems. Its intent is to describe services and features so that the manner in which they are used by a subscriber can remain reasonably consistent from system to system. It is not intended to require that specific service offerings be required of all service providers.

	Document No.	Version	Status	Issued date	Location
CCSA	CCSA-TSD-MC-S.R0006-701-A v1.0	1.0	Published	25-11-2007	http://www.ccsa.org.cn/english/tc/files.php?docpath=/ITU-T/Q.1742/Q.1742-7/
TIA	TIA-664-701-B	0	Published	-11-2007	http://www.tiaonline.org/standards/catalog/index.cfm
TTA	TTAT.3G-S.R0006-701-A v1.0	1.0	Published	24-12-2007	http://www.tta.or.kr/standardDB/stnfile/TTAT.3G-S.R0006-701-A v1.0.zip
TTC	TS-3GB-S.R0006-701-A v1.0	1.0	Published	07-09-2007	http://www.ttc.or.jp/j/document_list/free/TS/TS-3GB-S.R0006-701-Av1.0.pdf

10.4.4.45 S.R0006-801-A version 1.0 wireless features description: system functionality (June 2007)

This specification presents a recommended plan for the implementation of uniform features for use in wireless telecommunications systems. Its intent is to describe services and features so that the manner in which they are used by a subscriber can remain reasonably consistent from system to

system. It is not intended to require that specific service offerings be required of all service providers.

	Document No.	Version	Status	Issued date	Location
CCSA	CCSA-TSD-MC-S.R0006-801-A v1.0	1.0	Published	25-11-2007	http://www.ccsa.org.cn/english/tc/files.php?docpath=/ITU-T/Q.1742/Q.1742-7/
TIA	TIA-664-801-B	0	Published	-11-2007	http://www.tiaonline.org/standards/catalog/index.cfm
TTA	TTAT.3G-S.R0006-801-A v1.0	1.0	Published	24-12-2007	http://www.tta.or.kr/standardDB/stnfile/TTAT.3G-S.R0006-801-A v1.0.zip
TTC	TS-3GB-S.R0006-801-A v1.0	1.0	Published	07-09-2007	http://www.ttc.or.jp/document_list/free/TS/TS-3GB-S.R0006-801-Av1.0.pdf

10.4.4.46 S.R0006-802-A version 1.0 wireless features description: subscriber confidentiality (June 2007)

This specification presents a recommended plan for the implementation of uniform features for use in wireless telecommunications systems. Its intent is to describe services and features so that the manner in which they are used by a subscriber can remain reasonably consistent from system to system. It is not intended to require that specific service offerings be required of all service providers.

	Document No.	Version	Status	Issued date	Location
CCSA	CCSA-TSD-MC-S.R0006-802-A v1.0	1.0	Published	25-11-2007	http://www.ccsa.org.cn/english/tc/files.php?docpath=/ITU-T/Q.1742/Q.1742-7/
TIA	TIA-664-802-B	0	Published	-11-2007	http://www.tiaonline.org/standards/catalog/index.cfm
TTA	TTAT.3G-S.R0006-802-A v1.0	1.0	Published	24-12-2007	http://www.tta.or.kr/standardDB/stnfile/TTAT.3G-S.R0006-802-A v1.0.zip
TTC	TS-3GB-S.R0006-802-A v1.0	1.0	Published	07-09-2007	http://www.ttc.or.jp/document_list/free/TS/TS-3GB-S.R0006-802-Av1.0.pdf

10.4.4.47 S.R0006-803-A version 1.0 wireless features description: network services (June 2007)

This specification presents a recommended plan for the implementation of uniform features for use in wireless telecommunications systems. Its intent is to describe services and features so that the manner in which they are used by a subscriber can remain reasonably consistent from system to system. It is not intended to require that specific service offerings be required of all service providers.

	Document No.	Version	Status	Issued date	Location
CCSA	CCSA-TSD-MC-S.R0006-803-A v1.0	1.0	Published	25-11-2007	http://www.ccsa.org.cn/english/tc/files.php?docpath=/ITU-T/Q.1742/Q.1742-7/
TIA	TIA-664-803-B	0	Published	-11-2007	http://www.tiaonline.org/standards/catalog/index.cfm
TTA	TTAT.3G-S.R0006-803-A v1.0	1.0	Published	24-12-2007	http://www.tta.or.kr/standardDB/stnfile/TTAT.3G-S.R0006-803-A v1.0.zip
TTC	TS-3GB-S.R0006-803-A v1.0	1.0	Published	07-09-2007	http://www.ttc.or.jp/document_list/free/TS/TS-3GB-S.R0006-803-Av1.0.pdf

10.4.4.48 S.R0006-804-A version 1.0 wireless features description: enhanced security services (June 2007)

This specification presents a recommended plan for the implementation of uniform features for use in wireless telecommunications systems. Its intent is to describe services and features so that the

manner in which they are used by a subscriber can remain reasonably consistent from system to system. It is not intended to require that specific service offerings be required of all service providers.

	Document No.	Version	Status	Issued date	Location
CCSA	CCSA-TSD-MC-S.R0006-804-A v1.0	1.0	Published	25-11-2007	http://www.ccsa.org.cn/english/tc/files.php?docpath=/ITU-T/Q.1742/Q.1742-7/
TIA	TIA-664-804-A	0	Published	-11-2007	http://www.tiaonline.org/standards/catalog/index.cfm
TTA	TTAT.3G-S.R0006-804-A v1.0	1.0	Published	24-12-2007	http://www.tta.or.kr/standardDB/stnfile/TTAT.3G-S.R0006-804-A v1.0.zip
TTC	TS-3GB-S.R0006-804-A v1.0	1.0	Published	07-09-2007	http://www.ttc.or.jp/j/document_list/free/TS/TS-3GB-S.R0006-804-Av1.0.pdf

10.4.4.49 S.R0006-805-A version 1.0 wireless features description: CDMA packet data service (June 2007)

This specification presents a recommended plan for the implementation of uniform features for use in wireless telecommunications systems. Its intent is to describe services and features so that the manner in which they are used by a subscriber can remain reasonably consistent from system to system. It is not intended to require that specific service offerings be required of all service providers.

	Document No.	Version	Status	Issued date	Location
CCSA	CCSA-TSD-MC-S.R0006-805-A v1.0	1.0	Published	25-11-2007	http://www.ccsa.org.cn/english/tc/files.php?docpath=/ITU-T/Q.1742/Q.1742-7/
TIA	TIA-664-805-B	0	Published	-11-2007	http://www.tiaonline.org/standards/catalog/index.cfm
TTA	TTAT.3G-S.R0006-805-A v1.0	1.0	Published	24-12-2007	http://www.tta.or.kr/standardDB/stnfile/TTAT.3G-S.R0006-805-A v1.0.zip
TTC	TS-3GB-S.R0006-805-A v1.0	1.0	Published	07-09-2007	http://www.ttc.or.jp/j/document_list/free/TS/TS-3GB-S.R0006-805-Av1.0.pdf

10.4.4.50 S.R0006-806-A version 1.0 wireless features description: over-the-air parameter administration (June 2007)

This specification presents a recommended plan for the implementation of uniform features for use in wireless telecommunications systems. Its intent is to describe services and features so that the manner in which they are used by a subscriber can remain reasonably consistent from system to system. It is not intended to require that specific service offerings be required of all service providers.

	Document No.	Version	Status	Issued date	Location
CCSA	CCSA-TSD-MC-S.R0006-806-A v1.0	1.0	Published	25-11-2007	http://www.ccsa.org.cn/english/tc/files.php?docpath=/ITU-T/Q.1742/Q.1742-7/
TIA	TIA-664-806	0	Published	-11-2007	http://www.tiaonline.org/standards/catalog/index.cfm
TTA	TTAT.3G-S.R0006-806-A v1.0	1.0	Published	24-12-2007	http://www.tta.or.kr/standardDB/stnfile/TTAT.3G-S.R0006-806-A v1.0.zip
TTC	TS-3GB-S.R0006-806-A v1.0	1.0	Published	07-09-2007	http://www.ttc.or.jp/j/document_list/free/TS/TS-3GB-S.R0006-806-Av1.0.pdf

10.4.4.51 S.R0006-807-A version 1.0 wireless features description: generic broadcast teleservice transport capability: network perspective (July 2008)

The broadcast teleservice transport capability (BTTC) provides a method to deliver and manage broadcast SMS messages and other compatible teleservice messages. In addition to the bearer data and teleservice identifier attributes, support is provided within MAP SMS signaling protocols and procedures to specify the broadcast scope and method related to a specific teleservice message to be broadcast.

	Document No.	Version	Status	Issued date	Location
CCSA	CCSA-TSD-MC-S.R0006-807-A v1.0	1.0	Published	-12-2009	http://www.ccsa.org.cn/english/files.php?docpath=/ITU-T/Q.1742//Q.1742.8
TTA	TTAT.3G-S.R0006-807-A v1.0	1.0	Published	29-01-2010	http://www.tta.or.kr/data/ttasDown.jsp?where=14688&pk_num=TTAT.3G-S.R0006-807-A v1.0
TTC	TS-3GB-S.R0006-807-A v1.0	1.0	Published	28-11-2008	http://www.ttc.or.jp/document_list/free/TS/TS-3GB-S.R0006-807-Av1.0.pdf

10.4.4.52 S.R0006-808-A version 1.0 wireless features description: circuit switched call precedence over CDMA packet data session (July 2008)

Circuit switched call precedence over CDMA packet data session (CPOP) enables circuit-switched calls to be delivered to a subscriber engaged in an active CDMA packet data session. The packet data session is suspended (i.e., dormant) for the duration of the circuit-switched call.

	Document No.	Version	Status	Issued date	Location
CCSA	CCSA-TSD-MC-S.R0006-808-A v1.0	1.0	Published	-12-2009	http://www.ccsa.org.cn/english/files.php?docpath=/ITU-T/Q.1742//Q.1742.8
TTA	TTAT.3G-S.R0006-808-A v1.0	1.0	Published	29-01-2010	http://www.tta.or.kr/data/ttasDown.jsp?where=14688&pk_num=TTAT.3G-S.R0006-808-A v1.0
TTC	TS-3GB-S.R0006-808-A v1.0	1.0	Published	28-11-2008	http://www.ttc.or.jp/document_list/free/TS/TS-3GB-S.R0006-808-Av1.0.pdf

10.4.5 S.R0007 version 1.0.0 user selective call forwarding (stage 1) revision: 0 (13 December 1999)

This interim standard (IS) presents stage 1 (new chapter TIA/EIA-664-B), Stage 2 (TIA/EIA-41.3-D enhancements), and stage 3 (TIA/EIA-41.5-D and TIA/EIA-41.6-D enhancements) recommendations for supporting the user selective call forwarding (USCF) feature use in the wireless radiotelephone service.

This document specifies the wireless intersystem network operation enhancements required for supporting roaming subscribers with the user selective call forwarding (USCF) feature.

	Document No.	Version	Status	Issued date	Location
CCSA	CWTS-MC-S.R0007	1.0.0	Published	-02-2002	http://www.ccsa.org.cn/english/tc/files.php?docpath=/ITU-R/M.1457/M.1457-4/MC
TTA	TTAE.3G-S.R0007 v.1.0	1.0	Published	19-12-2001	http://www.tta.or.kr/standardDB/stnfile/TTAE_3G-S_R0007 v1.0.zip

10.4.5.1 S.R0007 version 2.1 user selective call forwarding (stage 1) (31 January 2001)

This interim standard (IS) presents stage 1 (new chapter TIA/EIA-664-B), Stage-2 (TIA/EIA-41.3-D enhancements), and stage 3 (TIA/EIA-41.5-D and TIA/EIA-41.6-D enhancements) recommendations for supporting the user selective call forwarding (USCF) feature use in the wireless radiotelephone service.

This document specifies the wireless intersystem network operation enhancements required for supporting roaming subscribers with the user selective call forwarding (USCF) feature.

	Document No.	Version	Status	Issued date	Location
CCSA	CWTS-MC-S.R0007 v2.1	2.1	Published	-02-2002	http://www.ccsa.org.cn/english/tc/files.php?docpath=/ITU-R/M.1457/M.1457-4/MC
TTA	TTAE.3G-S.R0007 v.2.1	2.1	Published	19-12-2001	http://www.tta.or.kr/standardDB/stnfile/TTAE_3G-S_R0007 v2.1.zip
TTC	TS-3GB-S.R0007v2.1	2.1	Published	29-05-2001	http://www.ttc.or.jp/imt2000/ts/tssr0007-v21.pdf

10.4.6 S.R0008-0 version 1.0.0 answer hold (stage 1) revision: 0 (13 December 1999)

This interim standard (IS) presents stage 1 (new chapter TIA/EIA-664-B), stage 2 (TIA/EIA-41.3-D enhancements), and stage 3 (TIA/EIA-41.5-D and TIA/EIA-41.6-D enhancements) recommendations for supporting the answer hold (AH) feature use in the wireless radiotelephone service.

This document specifies the wireless intersystem network operation enhancements required for supporting roaming subscribers with the answer hold (AH) feature.

	Document No.	Version	Status	Issued date	Location
CCSA	CWTS-MC-S.R0008	2.0	Published	-02-2002	http://www.ccsa.org.cn/english/tc/files.php?docpath=/ITU-R/M.1457/M.1457-4/MC
TTA	TTAE.3G-S.R0008 v.1.0	1.0	Published	19-12-2001	http://www.tta.or.kr/standardDB/stnfile/TTAE_3G-S_R0008 v1.0.zip

10.4.6.1 S.R0008-0 version 2.0 answer hold (stage 1) revision: 0 (8 December 2000)

This interim standard (IS) presents stage 1 (new chapter TIA/EIA-664-B), stage 2 (TIA/EIA-41.3-D enhancements), and stage 3 (TIA/EIA-41.5-D and TIA/EIA-41.6-D enhancements) recommendations for supporting the answer hold (AH) feature use in the wireless radiotelephone service.

This document specifies the wireless intersystem network operation enhancements required for supporting roaming subscribers with the answer hold (AH) feature.

	Document No.	Version	Status	Issued date	Location
CCSA	CWTS-MC-S.R0008 v2.1.0	2.0	Published	-02-2002	http://www.ccsa.org.cn/english/tc/files.php?docpath=/ITU-R/M.1457/M.1457-4/MC
TTA	TTAE.3G-S.R0008 v.2.0	2.0	Published	19-12-2001	http://www.tta.or.kr/standardDB/stnfile/TTAE_3G-S_R0008 v2.0.zip
TTC	JP-3GB-S.R0008	2	Published	14-05-2001	http://www.ttc.or.jp/imt2000/std/jpsr0008.pdf

10.4.7 S.R0009-0 v1.0 user identity module (stage 1) revision: 0 (13 December 1999)

This standard defines the enhancements required for the support of mobile stations equipped with user identification modules (UIM). The UIM provided functionality to certain types of mobile stations to enable them to operate in the wireless network.

This document defines requirements for the wireless network to support operation of UIM equipped mobile stations. A UIM provides compatible mobile stations with the parameters required of mobile stations operating in the TIA/EIA-41 environment and specific additional functionality unique to UIM-equipped mobile stations.

The UIM can be in one of two forms, as either integrated within the mobile station or disintegrated, which allows it to be inserted or removed from the mobile equipment. This document address removable UIM (R-UIM) only.

	Document No.	Version	Status	Issued date	Location
CCSA	CWTS-MC-S.R0009-0	1.0	Published	-02-2002	http://www.ccsa.org.cn/english/tc/files.php?docpath=/ITU-R/M.1457/M.1457-4/MC
TTA	TTAE.3G-S.R0009	1	Published	13-07-2000	http://www.tta.or.kr/standardDB/stnfile/TAE_3G-S_R0009.zip
TTC	TS-3GB-S.R0009	1	Published	29-05-2001	http://www.ttc.or.jp/imt2000/ts/tssr0009-v10.pdf

10.4.8 S.R0010-0 version 1.0.0 preferred language (stage 1) revision: 0 (13 December 1999)

Preferred language (PL) provides the subscriber the ability to specify the language for network services.

Network services that could be offered in the subscriber's preferred language include:

- recorded announcements;
- directory assistance;
- operator services;
- emergency services;
- "Help" lines;
- message waiting notification;
- calling number identification presentation (CNIP) number not available;
- CNIP number restricted.

If the subscriber's preferred language is not available, the service shall be provided in the default language, that shall be determined by the wireless network operator.

PL does not impact a subscriber's ability to originate calls or to receive calls.

	Document No.	Version	Status	Issued date	Location
CCSA	CWTS-MC-S.R0010	1.0.0	Published	-02-2002	http://www.ccsa.org.cn/english/tc/files.php?docpath=/ITU-R/M.1457/M.1457-4/MC
TTA	TTAE.3G-S.R0010	1	Published	13-07-2000	http://www.tta.or.kr/standardDB/stnfile/TAE_3G-S_R0010.zip
TTC	JP-3GB-S.R0010	1	Published	31-03-2000	http://www.ttc.or.jp/imt2000/std/jpsr0010.pdf

10.4.9 S.R0011-0 version 1.0.0 advice of charge (stage 1) revision: 0 (13 December 1999)

This specification presents stage 1 for supporting the advice of charge feature for use in the wireless radiotelephone service.

This document specifies the wireless intersystem network operation enhancements required for supporting roaming subscribers with the advice of charge (AoC) feature.

	Document No.	Version	Status	Issued date	Location
CCSA	CWTS-MC-S.R0011	1.0.0	Published	-02-2002	http://www.ccsa.org.cn/english/tc/files.php?docpath=/ITU-R/M.1457/M.1457-4/MC
TTA	TTAE.3G-S.R0011	1	Published	13-07-2000	http://www.tta.or.kr/standardDB/stnfile/TTAE_3G-S_R0011.zip
TTC	JP-3GB-S.R0011	1	Published	31-03-2000	http://www.ttc.or.jp/imt2000/std/jpsr0011.pdf

10.4.10 S.R0012-0 version 1.0.0 rejection of undesired annoying calls (stage 1) revision: 0 (13 December 1999)

This specification presents stage 1 for supporting rejection of undesired annoying calls feature for use in the wireless radiotelephone service.

This document specifies the wireless intersystem network operation enhancements required for supporting roaming subscribers with the rejection of undesired annoying calls (RUAC) feature.

	Document No.	Version	Status	Issued date	Location
CCSA	CWTS-MC-S.R0012	1.0.0	Published	-02-2002	http://www.ccsa.org.cn/english/tc/files.php?docpath=/ITU-R/M.1457/M.1457-4/MC
TTA	TTAE.3G-S.R0012	1	Published	13-07-2000	http://www.tta.or.kr/standardDB/stnfile/TTAE_3G-S_R0012.zip
TTC	JP-3GB-S.R0012	1	Published	31-03-2000	http://www.ttc.or.jp/imt2000/std/jpsr0012.pdf

10.4.11 S.R0013-0 version 1.0.0 global emergency call origination (GECO) revision: 0 (13 December 1999)

This document presents a stage 1 description for a global emergency call origination (GECO) that will increase the probability that any user can originate a call to a public service access point (PSAP) even in those service areas where the emergency service access number (ESAN) is not known to the user.

The intent of GECO is described as follows:

- the MS may provide a means for the user to initiate an emergency call;
- a special form of the call origination message (defined as a global emergency call origination message (GECO_MSG)) may be issued by the MS in lieu of the normal call origination message to indicate that the call origination being requested is an emergency call origination. GECO_MSGs may be accepted and the GECO call connected by the network from both subscribed and unsubscribed mobiles. The system may support "implicit registration" for GECO calls such that the use of registration request/acceptance protocol is not required prior to the issuance of a GECO_MSG;
- if the MS is currently registered on and accessing an operating network when the GECO call is initiated by the user, the MS may use that system to initiate the GECO call. If the MS is not currently accessing a system, it may attempt to access its preferred service as indicated by its internal system selection and system access restriction programming to maximize the probability that the GECO call will be accepted by the system. If no preferred system is available, the MS may override its internal system selection and system access restriction programming in an attempt to access any available system;
- initiation of GECO call by the MS shall in no way degrade the user's access to any other feature/service which would normally be available to him from the accessed service provider's network.

	Document No.	Version	Status	Issued date	Location
CCSA	CWTS-MC-S.R0013	1.0.0	Published	-02-2002	http://www.ccsa.org.cn/english/tc/files.php?docpath=/ITU-R/M.1457/M.1457-4/MC
TTA	TTAE.3G-S.R0013	1	Published	13-07-2000	http://www.tta.or.kr/standardDB/stnfile/TTAE_3G-S_R0013.zip
TTC	JP-3GB-S.R0013	1	Published	31-03-2000	http://www.ttc.or.jp/imt2000/std/jpsr0013.pdf

10.4.12 S.R0014-0 version 1.0.0 tandem free operation (stage 1) revision: 0 (13 December 1999)

It is expected that the need for tandem free operations (TFO) will be driven by the increasing market penetration of digital technologies which will result in an increase in percentage of calls that are mobile-to-mobile calls. In addition, given that the effects of tandem vocoding are greater for lower bit rate vocoders, the need for this feature becomes greater as the use of low bit rate vocoders increases. The tandem free operation (TFO) feature, also known as vocoder bypass, improves the end-to-end voice quality observed in mobile-to-mobile voice calls in wireless networks.

	Document No.	Version	Status	Issued date	Location
CCSA	CWTS-MC-S.R0014	1.0.0	Published	-02-2002	http://www.ccsa.org.cn/english/tc/files.php?docpath=/ITU-R/M.1457/M.1457-4/MC
TTA	TTAE.3G-S.R0014	1	Published	13-07-2000	http://www.tta.or.kr/standardDB/stnfile/TTAE_3G-S_R0014.zip
TTC	JP-3GB-S.R0014	1	Published	31-03-2000	http://www.ttc.or.jp/imt2000/std/jpsr0014.pdf

10.4.13 S.R0015-0 version 1.0.0 ISDN interworking (stage 1) release a (13 December 1999)

This document presents stage 1 (new chapter TIA/EIA-664-B) recommendations for supporting the ISDN interworking feature use in wireless radiotelephone service.

This document specifies the wireless intersystem network operation enhancements required for supporting subscribers with the ISDN interworking feature. This document defines the functional characteristics for interconnecting to ISDN in circuit switched mode. The interworking function in ISDN packet mode, i.e., B-channel packet is out of scope at present.

	Document No.	Version	Status	Issued date	Location
CCSA	CWTS-MC-S.R0015	1.0.0	Published	-02-2002	http://www.ccsa.org.cn/english/tc/files.php?docpath=/ITU-R/M.1457/M.1457-4/MC
TTA	TTAE.3G-S.R0015	1	Published	13-07-2000	http://www.tta.or.kr/standardDB/stnfile/TTAE_3G-S_R0015.zip
TTC	JP-3GB-S.R0015	1	Published	31-03-2000	http://www.ttc.or.jp/imt2000/std/jpsr0015.pdf

10.4.14 S.R0016-0 version 1.0.0 automatic code gapping (stage 1) revision: 0 (13 December 1999)

Automatic code gapping (ACG) is intended to provide a network entity, such as a service control point (SCP) or service control function (SCF), the ability to turn off selected types of traffic that may be passing through its domain of operation. The purpose for ACG may be load related or in response to a traffic engineering command as from a service management system (SMS). This report provides a general description of ACG as it applies to 3G network operations. Specific applications will be defined in other documents or later versions of this document.

	Document No.	Version	Status	Issued date	Location
CCSA	CWTS-MC-S.R0016	1.0.0	Published	-02-2002	http://www.ccsa.org.cn/english/tc/files.php?docpath=/ITU-R/M.1457/M.1457-4/MC
TTA	TTAE.3G-S.R0016 v.1.0	1.0	Published	19-12-2001	http://www.tta.or.kr/standardDB/stnfile/TTAE_3G-S_R0016.zip

10.4.14.1 S.R0016-0 version 2.0 automatic code gapping (stage 1) revision: 0 (8 December 2000)

Automatic code gapping (ACG) is intended to provide a network entity, such as a service control point (SCP) or service control function (SCF), the ability to turn off selected types of traffic that may be passing through its domain of operation. The purpose for ACG may be load related or in response to a traffic engineering command as from a service management system (SMS). This report provides a general description of ACG as it applies to 3G network operations. Specific applications will be defined in other documents or later versions of this document.

	Document No.	Version	Status	Issued date	Location
CCSA	CWTS-MC-S.R0016 v.2.0	2.0	Published	-02-2002	http://www.ccsa.org.cn/english/tc/files.php?docpath=/ITU-R/M.1457/M.1457-4/MC
TTA	TTAE.3G-S.R0016 v.2.0	2.0	Published	19-12-2001	http://www.tta.or.kr/standardDB/stnfile/TTAE_3G-S_R0016 v2.0.zip
TTC	JP-3GB-S.R0016	2	Published	14-05-2001	http://www.ttc.or.jp/imt2000/std/jpsr0016.pdf

10.4.15 S.R0017-0 3G wireless network management system high level requirements revision: 0 (13 December 1999)

This report specifies the 3G wireless network management system high level requirements including: OAM&P TMN applications required network and systems management processes and network reference model (NRM).

	Document No.	Version	Status	Issued date	Location
CCSA	CWTS-MC-S.R0017		Published	-02-2002	http://www.ccsa.org.cn/english/tc/files.php?docpath=/ITU-R/M.1457/M.1457-4/MC
TTA	TTAE.3G-S.R0017	1	Published	13-07-2000	http://www.tta.or.kr/standardDB/stnfile/TTAE_3G-S_R0017.zip
TTC	TR-3GB-S.R0017-0 v1.0	1.0	Published	26-02-2002	http://www.ttc.or.jp/imt2000/tr/trsr0017-0v10.pdf

10.4.16 S.R0018-0 version 1.0.0 pre-paid charging (stage 1) revision: 0 (13 December 1999)

PPC allows the subscriber to pay for voice telecommunications services prior to usage.

A PPC subscriber establishes an account with the service provider to access voice telecommunications services in home and roaming networks. Charges for voice telecommunications services are applied to the PPC account by decrementing the account in real time. The PPC subscriber may be notified about the account information at the beginning, during, or at the end of, the voice telecommunications service. When the account balance is low, the subscriber may be notified so that the subscriber may refill the account. When the account balance is below a pre-defined threshold, the subscriber's use of voice telecommunications services may be de-authorized.

	Document No.	Version	Status	Issued date	Location
CCSA	CWTS-MC-S.R0018	1.0.0	Published	-02-2002	http://www.ccsa.org.cn/english/tc/files.php?docpath=/ITU-R/M.1457/M.1457-4/MC
TTA	TTAE.3G-S.R0018	1	Published	13-07-2000	http://www.tta.or.kr/standardDB/stnfile/TTAE_3G-S_R0018.zip
TTC	JP-3GB-S.R0018	1	Published	31-03-2000	http://www.ttc.or.jp/imt2000/std/jpsr0018.pdf

10.4.17 S.R0019-0 version 1.0.0 location-based services system (LBSS) stage 1 description (22 September 2000)

This document defines LBSS for implementation in 3GPP2 systems. The location services functionality has been adopted from existing TR-45 standards as defined and also as described in the following text.

The scope of this document includes 3GPP2 system support required to facilitate location-based services.

	Document No.	Version	Status	Issued date	Location
CCSA	CWTS-MC-S.R0019	1.0.0	Published	-02-2002	http://www.ccsa.org.cn/english/tc/files.php?docpath=/ITU-R/M.1457/M.1457-4/MC
TTA	TTAE.3G-S.R0019 v1.0.0	1.0.0	Published	28-10-2002	http://www.tta.or.kr/standardDB/stnfile/TTAE_3G-S.R0019v1.0.0.pdf
TTC	JP-3GB-S.R0019	1	Published	14-05-2001	http://www.ttc.or.jp/imt2000/std/jpsr0019.pdf

10.4.18 S.R0021-0 version 1.0 video streaming service – stage 1 (10 July 2000)

The objective is to define and to standardize the functionality of video services that can be incorporated into the operations of wireless telecommunications networks. Audio-only streaming is a special case of video streaming. This document defines the functional characteristics and requirements of the video streaming services. The areas that must be defined are service features and system requirements, necessary for video streaming services to be provided in wireless telecommunications networks.

	Document No.	Version	Status	Issued date	Location
CCSA	CWTS-MC-S.R0021	1.0	Published	-02-2002	http://www.ccsa.org.cn/english/tc/files.php?docpath=/ITU-R/M.1457/M.1457-4/MC
TTA	TTAE.3G-S.R0021 v1.0	1.0	Published	28-10-2002	http://www.tta.or.kr/standardDB/stnfile/TTAE_3G-S.R0021v1.0.pdf
TTC	JP-3GB-S.R0021	1	Published	14-05-2001	http://www.ttc.or.jp/imt2000/std/jpsr0021.pdf

10.4.18.1 S.R0021-0 version 2.0 multimedia streaming service – stage 1 (18 April 2002)

The objective is to define and to standardize the functionality of multimedia services that can be incorporated into the operations of wireless telecommunications networks. Audio-only or video-only streaming are a special case of multimedia streaming. This document defines the functional characteristics and requirements of the multimedia streaming services. The areas that must be defined are service features and system requirements, necessary for multimedia streaming services to be provided in wireless telecommunications networks.

	Document No.	Version	Status	Issued date	Location
CCSA	CCSA-TSD-MC-S.R0021	2.0	Published	-09-2003	http://www.ccsa.org.cn/english/tc/files.php?docpath=/ITU-T/Q.1742/R3-2003-11
TTA	TTAT.3G-S.R0021-0_v2.0	2.0	Published	30-10-2003	http://www.tta.or.kr/standardDB/stnfile/TTAT.3G-S.R0021-0_v2.0.zip
TTC	TS-3GB-S.R0021-0_v2.0	2.0	Published	27-08-2002	http://www.ttc.or.jp/imt2000/ts/tssr0021-0v20.pdf

10.4.19 S.R0022-0 version 1.0 video conferencing service (10 July 2000)

The objective is to define and to standardize the functionality of video services that can be incorporated into the operations of wireless telecommunications networks. This report defines the functional characteristics and the requirements of the video conferencing services. The areas that must be defined are service features and system requirements in order for voice conferencing services to be provided in wireless telecommunications networks.

	Document No.	Version	Status	Issued date	Location
CCSA	CWTS-MC-S.R0022	1.0	Published	-02-2002	http://www.ccsa.org.cn/english/tc/files.php?docpath=/ITU-R/M.1457/M.1457-4/MC
TTA	TTAE.3G-S.R0022 v1.0	1.0	Published	28-10-2002	http://www.tta.or.kr/standardDB/stnfile/TTAE.3G-R0022v1.0.pdf
TTC	JP-3GB-S.R0022	1	Published	14-05-2001	http://www.ttc.or.jp/imt2000/std/jpsr0022.pdf

10.4.20 S.R0023-0 version 1.0 high-speed data enhancements for cdma2000 1x – data only (9 June 2000)

This document outlines the key operator requirements for the evolution of the cdma2000 1x (current versions of C.S0001 through C.S0005) standard. This document will refer to this evolution as 1x evolved high-speed data only (1xEVDO). These requirements are defined to drive improvements to the fundamental packet data capabilities and efficiencies of cdma2000 1x systems to better meet the rapidly evolving needs of subscribers. This report is intended as a guide for wireless operators in the implementation of high-speed data-only systems beyond cdma2000 1x, to provide increased spectral efficiency and the capability to satisfy customer demand for wireless packet data applications.

	Document No.	Version	Status	Issued date	Location
CCSA	CWTS-MC-S.R0023	1.0	Published	-02-2002	http://www.ccsa.org.cn/english/tc/files.php?docpath=/ITU-R/M.1457/M.1457-4/MC
TTA	TTAE.3G-S.R0023 v1.0	1.0	Published	28-10-2002	http://www.tta.or.kr/standardDB/stnfile/TTAE.3G-R0023v1.0.pdf

10.4.20.1 S.R0023-0 version 2.0 high-speed data enhancements for cdma2000 1x – data only stage 1 requirements (5 December 2000)

This document outlines the key operator requirements for the evolution of the cdma2000 1x (current versions of C.S0001 through C.S0005) standard. This document will refer to this evolution as 1x evolved high-speed data only (1xEVDO). These requirements are defined to drive improvements to the fundamental packet data capabilities and efficiencies of cdma2000 1x systems to better meet the rapidly evolving needs of subscribers. This report is intended as a guide for wireless operators in the implementation of high-speed data-only systems beyond cdma2000 1x, to provide increased spectral efficiency and the capability to satisfy customer demand for wireless packet data applications.

	Document No.	Version	Status	Issued date	Location
ARIB	TR-T13-S.R0023 v2.0	2.0	Published	29-07-2003	http://www.arib.or.jp/IMT-2000/ARIB-STD/ITU-T/ARIB_ITU-T_Q.1742/ARIB_TR-T13-S.R0023_V2.PDF
CCSA	CWTS-MC-S.R0023 v2.0	2.0	Published	-02-2002	http://www.ccsa.org.cn/english/tc/files.php?docpath=/ITU-R/M.1457/M.1457-4/MC
TTA	TTAE.3G-S.R0023 v.2.0	2.0	Published	19-12-2001	http://www.tta.or.kr/standardDB/stnfile/TTAE_3G-S_R0023_v2.0.zip

10.4.21 S.R0024-0 version 1.0 wireless local loop stage 1 description (22 September 2000)

Wireless local loop (WLL) is a feature implementation using a serving system that utilizes a wireless connection to a wireless device, such as a mobile station or a network interface unit to provide local loop service to an end user. WLL permits local loop service for subscriber call origination and for receipt of calls. WLL applies to voice and data services. WLL provides signalling mechanisms between the serving system and the mobile station or the network interface unit. This signalling mechanism permits the exchange of call control information.

The essential signalling elements of WLL are:

- mobile station or network interface unit device type specification and request for WLL of the serving system or optional serving system device type specification;
- mobile station or network interface unit dial tone or optional dial tone of the serving system;
- mobile station or network interface unit hook status enabling WLL call control of the serving system;
- serving system autonomous message interval specification and request of the mobile station or the network interface unit or optional network interface unit autonomous message interval specification;
- serving system call waiting indicator notification to the mobile station or the network interface unit.

	Document No.	Version	Status	Issued date	Location
CCSA	CWTS-MC-S.R0024	1.0	Published	-02-2002	http://www.ccsa.org.cn/english/tc/files.php?docpath=/ITU-R/M.1457/M.1457-4/MC
TTA	TTAE.3G-S.R0024 v1.0	1.0	Published	28-10-2002	http://www.tta.or.kr/standardDB/stnfile/TTAE.3G-S.R0024v1.0.pdf

10.4.22 S.R0025-0 version 1.0 wireless pay phone stage 1 description (22 September 2000)

The wireless pay phone is a public telecommunications service feature that allows mobile station support of pay phone applications. The wireless pay phone feature is useful to subscribers that originate or receive calls at a pay phone.

The feature may be comprised of two signalling capabilities: the first signalling capability is that which allows a serving system to convey answer supervision; the second signalling capability is that which allows a serving system to meter calls.

NOTE – A serving system may convey answer supervision using alert-signaled or flash-signaled line control. A serving system may meter using alert-signaled or flash-signaled meter pulses.

Answer element of supervision is used by the mobile station to convey line polarity, which is useful as an answer supervision indication. Line control specification and notification of the mobile station enables specification of polarity included, toggle mode, reverse polarity and power denial time. These are specified in IS-95B clause 7.7.5.15.

	Document No.	Version	Status	Issued date	Location
CCSA	CWTS-MC-S.R0025	1.0	Published	-02-2002	http://www.ccsa.org.cn/english/tc/files.php?docpath=/ITU-R/M.1457/M.1457-4/MC
TTA	TTAE.3G-S.R0025 v1.0	1.0	Published	28-10-2002	http://www.tta.or.kr/standardDB/stnfile/TTAE.3G-S.R0025v1.0.pdf

10.4.23 S.R0026-0 version 1.0 high speed data enhancements for cdma2000 1x-integrated data and voice stage 1 requirements (17 October 2000)

This document outlines the key operator requirements for the evolution of the cdma2000 1x (current versions of C.S0001 through C.S0005) standard. This document will refer to this evolution as 1x-evolved high-speed integrated data and voice (1xEV-DV). These requirements are defined to drive improvements to the fundamental packet data capabilities and efficiencies of cdma2000 1x systems to better meet the rapidly evolving needs of subscribers. This document is intended as a guide for 3GPP2 TSGs in the development of specifications for high-speed integrated data and voice systems beyond cdma2000 1x services (voice, fax, circuit switched data), to provide increased spectral efficiency and the capability to satisfy customer demand for wireless voice and packet data applications.

	Document No.	Version	Status	Issued date	Location
CCSA	CWTS-MC-S.R0026	1.0	Published	-02-2002	http://www.ccsa.org.cn/english/tc/files.php?docpath=/ITU-R/M.1457/M.1457-4/MC
TTA	TTAE.3G-S.R0026	1	Published	19-12-2001	http://www.tta.or.kr/standardDB/stnfile/TTAE_3G-S_R0026.zip

10.4.24 S.R0027-0 version 1.0 personal mobility stage 1 requirements (8 December 2000)

The objective is to define and standardize the functionality of personal mobility that can be incorporated into the operations of both 2G/3G TTA/EIA-41 and 2G/3G GSM-derived wireless telecommunications networks. This document defines the requirements of personal mobility features and services.

	Document No.	Version	Status	Issued date	Location
CCSA	CWTS-MC-S.R0027	1	Published	-02-2002	http://www.ccsa.org.cn/english/tc/files.php?docpath=/ITU-R/M.1457/M.1457-4/MC
TTA	TTAE.3G-S.R0027	1	Published	19-12-2001	http://www.tta.or.kr/standardDB/stnfile/TTAE_3G-S_R0027.zip
TTC	JP-3GB-S.R0027	1	Published	14-05-2001	http://www.ttc.or.jp/imt2000/std/jpsr0027.pdf

10.4.25 S.S0028-0 version 1.0 OAM&P for cdma2000 (3GPP delta specification) (18 April 2001)

This document contains the OAM&P requirements and interface definitions for cdma2000-based systems. It is an extension of operations and maintenance requirements, per latest 3GPP 32-series specifications capabilities to enable operation in a cdma2000 systems environment as part of the TTA/EIA/IS-2000 family of standards. They are in alignment with OAM&P stage 1 IS-2000 requirements.

	Document No.	Version	Status	Issued date	Location
CCSA	CWTS-MC-S.S0028	1.0	Published	-02-2002	http://www.ccsa.org.cn/english/tc/files.php?docpath=/ITU-R/M.1457/M.1457-4/MC
TTA	TTAE.3G-S.S0028 v.1.0	1.0	Published	19-12-2001	http://www.tta.or.kr/standardDB/stnfile/TTAE_3G-S_S0028_v1.0.zip
TTC	JP-3GB-S.S0028 v1.0	1.0	Published	29-05-2001	http://www.ttc.or.jp/imt2000/ts/tsss0028-v10.pdf

10.4.25.1 S.S0028-0 version 2.0 OAM&P for cdma2000 (3GPP delta specification) (23 July 2001)

This document is intended to define the OAM&P stages 2 and 3 requirements and interface definitions for cdma2000-based systems.

	Document No.	Version	Status	Issued date	Location
CCSA	CWTS-MC-S.S0028	2.0	Published	-02-2002	http://www.ccsa.org.cn/english/tc/files.php?docpath=/ITU-T/Q.1742/200306/MC
TTA	TTAE.3G-S.S0028 v.2.0	2.0	Published	19-12-2001	http://www.tta.or.kr/imt2000/TTAE_3G-S_S0028_v2.0.zip
TTC	TS-3GB-S.S0028-0 v2.0	2.0	Published	28-11-2001	http://www.ttc.or.jp/imt2000/ts/tsss0028-0v20.pdf

10.4.25.2 S.S0028-0 version 3.0 OAM&P for cdma2000 (3GPP delta specification) (11 March 2002)

This document is intended to define the OAM&P stages 2 and 3 requirements and interface definitions for cdma2000-based systems.

	Document No.	Version	Status	Issued date	Location
CCSA	CWTS-MC-S.S0028	3.0	Published	-06-2002	http://www.ccsa.org.cn/english/tc/files.php?docpath=/ITU-T/Q.1742/200306/MC
TTA	TTAT.3G-S.S0028-0 v3.0	3.0	Published	21-03-2003	http://www.tta.or.kr/imt2000/TTAT.3G-S.S0028-0_v3.0.zip
TTC	TS-3GB-S.S0028-0 v3.0	3.0	Published	28-05-2002	http://www.ttc.or.jp/imt2000/ts/tsss0028-0v30.pdf

10.4.25.3 S.S0028-A version 1.0 OAM&P for cdma2000 (3GPP R4 delta specification) revision: A (12 December 2002)

This document is intended to define the OAM&P stages 2 and 3 requirements and interface definitions for cdma2000-based systems.

	Document No.	Version	Status	Issued date	Location
CCSA	CCSA-TSD-MC-S.S0028-A	1.0	Published	-09-2003	http://www.ccsa.org.cn/english/tc/files.php?docpath=/ITU-T/Q.1742/R3-2003-11
TTA	TTAT.3G-S.S0028-A_v1.0	1.0	Published	30-10-2003	http://www.tta.or.kr/standardDB/stnfile/TTAT.3G-S.S0028-A_v1.0.zip
TTC	TS-3GB-S.S0028-A v1.0	1.0	Published	14-02-2003	http://www.ttc.or.jp/j/document_list/free/TS/TS-3GB-S.S0028-Av1.0.pdf

10.4.25.4 S.S0028-A version 2.0 OAM&P for cdma2000 (3GPP R4 delta specification) revision: A (20 February 2003)

This document is intended to define the OAM&P stages 2 and 3 requirements and interface definitions for cdma2000-based systems.

	Document No.	Version	Status	Issued date	Location
CCSA	CCSA-TSD-MC-S.S0028-A	2.0	Published	09-2003	http://www.ccsa.org.cn/english/tc/files.php?docpath=/ITU-T/Q.1742/R3-2003-11
TTA	TTAT.3G-S.S0028-A_v2.0	2.0	Published	30-10-2003	http://www.tta.or.kr/standardDB/stnfile/TTAT.3G-S.S0028-A_v2.0.zip
TTC	TS-3GB-S.S0028-A v2.0	2.0	Published	30-05-2003	http://www.ttc.or.jp/imt2000/ts/tsss0028-Av20.pdf

10.4.25.5 S.S0028-A version 3.0 OAM&P for cdma2000 (3GPP R4 delta specification) revision: A (20 February 2003)

This document is intended to define the OAM&P stages 2 and 3 requirements and interface definitions for cdma2000-based systems.

	Document No.	Version	Status	Issued date	Location
CCSA	CCSA-TSD-MC-S.S0028-A	3.0	Published	-01-2006	http://www.ccsa.org.cn/english/tc/files.php?docpath=/ITU-T/Q.1742/Q.1742.5
TTA	TTAT.3G-S.S0028-A v3.0	3.0	Published	19-04-2006	http://www.tta.or.kr/standardDB/stnfile/TTAT.3G-S.S0028-A_v3.0.zip
TTC	TS-3GB-S.S0028-A v3.0	3.0	Published	25-11-2005	http://www.ttc.or.jp/imt2000/ts/tsss0028-av30.pdf

10.4.25.6 S.S0028-000-B version 1.0 OAM&P for cdma2000 (overview) (17 February 2005)

The present document is the overview component of a multipart specification intended to define the OAM&P stages 2 and 3 requirements and interface definitions for CDMA- & cdma2000^{®2}-based systems. This multipart specification consists of:

- **S.S0028-000-B: "OAM&P for cdma2000 (overview)";**
- S.S0028-001-B: "OAM&P for cdma2000 (3GPP R5 delta specification)";
- S.S0028-002-B: "OAM&P for cdma2000 (3GPP2 generic NRM IRP)";
- S.S0028-003-B: "OAM&P for cdma2000 (3GPP2 core NRM IRP)";
- S.S0028-004-B: "OAM&P for cdma2000 (3GPP2 radio access NRM IRP)";

	Document No.	Version	Status	Issued date	Location
CCSA	CCSA-TSD-MC-S.S0028-000-B	1.0	Published	-09-2005	http://www.ccsa.org.cn/english/tc/files.php?docpath=/ITU-T/Q.1742/Q.1742.5
TTA	TTAT.3G-S.S0028-000-B v1.0	1.0	Published	09-12-2005	http://www.tta.or.kr/standardDB/stnfile/TTAT.3G-S.S0028-000-B_v1.0.zip
TTC	TS-3GB-S.S0028-000-Bv1.0	1.0	Published	02-06-2005	http://www.ttc.or.jp/imt2000/ts/tsss0028-000-bv1.0.pdf

10.4.25.7 S.S0028-000-B version 2.0 OAM&P for cdma2000 (overview) (18 July 2005)

The present document is the overview component of a multipart specification intended to define the OAM&P stages 2 and 3 requirements and interface definitions for CDMA- & cdma2000^{®2}-based systems. This multipart specification consists of:

- **S.S0028-000-B: "OAM&P for cdma2000 (overview)";**
- S.S0028-001-B: "OAM&P for cdma2000 (3GPP R5 delta specification)";
- S.S0028-002-B: "OAM&P for cdma2000 (3GPP2 generic NRM IRP)";

² cdma2000[®] is the trademark for the technical nomenclature for certain specifications and standards of the organizational partners (OPs) of 3GPP2. Geographically (and at the date of publication) cdma2000[®] is a registered trademark of the Telecommunication Industry Association (TIA-USA) in the United States.

- S.S0028-003-B: "OAM&P for cdma2000 (3GPP2 core NRM IRP)";
- S.S0028-004-B: "OAM&P for cdma2000 (3GPP2 radio access NRM IRP)".

	Document No.	Version	Status	Issued date	Location
CCSA	CCSA-TSD-MC-S.S0028-000-B v2.0	2.0	Published	25-11-2007	http://www.ccsa.org.cn/english/tc/files.php?docpath=/ITU-T/Q.1742/Q.1742-7/
TTA	TTAT.3G-S.S0028-000-B v2.0	2.0	Published	24-12-2007	http://www.tta.or.kr/standardDB/stnfile/TTAT.3G-S.S0028-000-B v2.0.zip
TTC	TS-3GB-S.S0028-000-Bv2.0	2.0	Published	25-11-2005	http://www.ttc.or.jp/j/document_list/free/TS/TS-3GB-S.S0028-000-Bv2.0.pdf

10.4.25.8 S.S0028-000-C version 1.0 OAM&P for cdma2000 (overview) revision: C (18 January 2006)

The present document is the overview component of a multipart specification intended to define the OAM&P stages 2 and 3 requirements and interface definitions for CDMA- & cdma2000®²-based systems. This multipart specification consists of:

- **S.S0028-000-C: "OAM&P for cdma2000 (overview)";**
- S.S0028-001-C: "OAM&P for cdma2000 (3GPP R6 delta specification)";
- S.S0028-002-C: "OAM&P for cdma2000 (3GPP2 generic NRM IRP)";
- S.S0028-003-C: "OAM&P for cdma2000 (3GPP2 core NRM IRP)";
- S.S0028-004-C: "OAM&P for cdma2000 (3GPP2 radio access NRM IRP)".

	Document No.	Version	Status	Issued date	Location
CCSA	CCSA-S.S0028-000-C v1.0	1.0	Published	31-01-2007	http://www.ccsa.org.cn/english/tc/files.php?docpath=/ITU-T/Q.1742
TTA	TTAT.3G-S.S0028-000-C v1.0	1.0	Published	15-02-2007	http://www.tta.or.kr/standardDB/stnfile/TTAT.3G-S.S0028-000-C v1.0.zip
TTC	TS-3GB-S.S0028-000-Cv1.0	1.0	Published	02-06-2006	http://www.ttc.or.jp/imt2000/ts/tsss0028-000-cv1.0.pdf

10.4.25.9 S.S0028-000-C version 2.0 OAM&P for cdma2000 (overview) revision: C (October 2007)

The present document is the overview component of a multipart specification intended to define the OAM&P stages 2 and 3 requirements and interface definitions for CDMA- & cdma2000®²-based systems. This multipart specification consists of:

- **S.S0028-000-C: "OAM&P for cdma2000 (overview)";**
- S.S0028-001-C: "OAM&P for cdma2000 (3GPP R6 delta specification)";
- S.S0028-002-C: "OAM&P for cdma2000 (3GPP2 generic NRM IRP)";
- S.S0028-003-C: "OAM&P for cdma2000 (3GPP2 core NRM IRP)";
- S.S0028-004-C: "OAM&P for cdma2000 (3GPP2 radio access NRM IRP)".

	Document No.	Version	Status	Issued date	Location
TTC	TS-3GB-S.S0028-000-Cv2.0	2.0	Published	28-11-2007	http://www.ttc.or.jp/j/document_list/free/TS/TS-3GB-S.S0028-000-Cv2.0.pdf

10.4.25.10 S.S0028-001-B version 1.0 OAM&P for cdma2000 (3GPP R5 delta specification) (17 February 2005)

The present document is the 3GPP R5 delta specification component of a multipart specification intended to define the OAM&P stages 2 and 3 requirements and interface definitions for CDMA- & cdma2000^{®2}-based systems. This multipart specification consists of:

- S.S0028-000-B: "OAM&P for cdma2000 (overview)";
- **S.S0028-001-B: "OAM&P for cdma2000 (3GPP R5 delta specification)";**
- S.S0028-002-B: "OAM&P for cdma2000 (3GPP2 generic NRM IRP)";
- S.S0028-003-B: "OAM&P for cdma2000 (3GPP2 core NRM IRP)";
- S.S0028-004-B: "OAM&P for cdma2000 (3GPP2 radio access NRM IRP)".

	Document No.	Version	Status	Issued date	Location
CCSA	CCSA-TSD-MC-S.S0028-001-B	1.0	Published	-09-2005	http://www.ccsa.org.cn/english/tc/files.php?docpath=/ITU-T/Q.1742/Q.1742.5
TTA	TTAT.3G-S.S0028-001-B v1.0	1.0	Published	09-12-2005	http://www.tta.or.kr/standardDB/stnfile/TTAT.3G-S.S0028-001-B v1.0.zip
TTC	TS-3GB-S.S0028-001-Bv1.0	1.0	Published	02-06-2005	http://www.ttc.or.jp/imt2000/ts/tsss0028-001-bv1.0.pdf

10.4.25.11 S.S0028-001-B version 2.0 OAM&P for cdma2000 (3GPP R5 delta specification) revision: B (18 July 2005)

The present document is the 3GPP R5 delta specification component of a multipart specification intended to define the OAM&P stages 2 and 3 requirements and interface definitions for CDMA- & cdma2000^{®2}-based systems. This multipart specification consists of:

- S.S0028-000-B: "OAM&P for cdma2000 (overview)";
- **S.S0028-001-B: "OAM&P for cdma2000 (3GPP R5 delta specification)";**
- S.S0028-002-B: "OAM&P for cdma2000 (3GPP2 generic NRM IRP)";
- S.S0028-003-B: "OAM&P for cdma2000 (3GPP2 core NRM IRP)";
- S.S0028-004-B: "OAM&P for cdma2000 (3GPP2 radio access NRM IRP)".

	Document No.	Version	Status	Issued date	Location
CCSA	CCSA-TSD-MC-S.S0028-001-B	2.0	Published	-01-2006	http://www.ccsa.org.cn/english/tc/files.php?docpath=/ITU-T/Q.1742/Q.1742.5
TTA	TTAT.3G-S.S0028-001-B v2.0	2.0	Published	19-04-2006	http://www.tta.or.kr/standardDB/stnfile/TTAT.3G-S.S0028-001-B v2.0.zip
TTC	TS-3GB-S.S0028-001-B v2.0	2.0	Published	25-11-2005	http://www.ttc.or.jp/imt2000/ts/tsss0028-001-bv2.0.pdf

10.4.25.12 S.S0028-001-C version 1.0 OAM&P for cdma2000 (3GPP R6 delta specification) revision: C (18 January 2006)

The present document is the 3GPP R6 delta specification component of a multipart specification intended to define the OAM&P stages 2 and 3 requirements and interface definitions for CDMA- & cdma2000^{®2}-based systems. This multipart specification consists of:

- S.S0028-000-C: "OAM&P for cdma2000 (overview)";
- **S.S0028-001-C: "OAM&P for cdma2000 (3GPP R6 delta specification)";**
- S.S0028-002-C: "OAM&P for cdma2000 (3GPP2 generic NRM IRP)";
- S.S0028-003-C: "OAM&P for cdma2000 (3GPP2 core NRM IRP)";

- S.S0028-004-C: "OAM&P for cdma2000 (3GPP2 radio access NRM IRP)".

	Document No.	Version	Status	Issued date	Location
CCSA	CCSA-S.S0028-001-C v1.0	1.0	Published	31-01-2007	http://www.ccsa.org.cn/english/tc/files.php?docpath=/ITU-T/Q.1742
TTA	TTAT.3G-S.S0028-001-C v1.0	1.0	Published	15-02-2007	http://www.tta.or.kr/standardDB/stnfile/TTAT.3G-S.S0028-001-C v1.0.zip
TTC	TS-3GB-S.S0028-001-C v1.0	1.0	Published	02-06-2006	http://www.ttc.or.jp/imt2000/ts/tsss0028-001-cv1.0.pdf

10.4.25.13 S.S0028-001-C version 2.0 OAM&P for cdma2000 (3GPP R6 delta specification) revision: C (October 2007)

The present document is the 3GPP R6 delta specification component of a multipart specification intended to define the OAM&P stages 2 and 3 requirements and interface definitions for CDMA- & cdma2000^{®2}-based systems. This multipart specification consists of:

- S.S0028-000-C: "OAM&P for cdma2000 (overview)";
- **S.S0028-001-C: "OAM&P for cdma2000 (3GPP R6 delta specification)";**
- S.S0028-002-C: "OAM&P for cdma2000 (3GPP2 generic NRM IRP)";
- S.S0028-003-C: "OAM&P for cdma2000 (3GPP2 core NRM IRP)";
- S.S0028-004-C: "OAM&P for cdma2000 (3GPP2 radio access NRM IRP)".

	Document No.	Version	Status	Issued date	Location
TTC	TS-3GB-S.S0028-001-Cv2.0	2.0	Published	28-11-2007	http://www.ttc.or.jp/document_list/free/TS/TS-3GB-S.S0028-001-Cv2.0.pdf

10.4.25.14 S.S0028-002-B version 1.0 OAM&P for cdma2000 (3GPP2 generic NRM IRP) (17 February 2005)

The present document is the 3GPP2 generic NRM IRP component of a multipart specification intended to define the OAM&P stages 2 and 3 requirements and interface definitions for CDMA- & cdma2000^{®2}-based systems. This multipart specification consists of:

- S.S0028-000-B: "OAM&P for cdma2000 (overview)";
- S.S0028-001-B: "OAM&P for cdma2000 (3GPP R5 delta specification)";
- **S.S0028-002-B: "OAM&P for cdma2000 (3GPP2 generic NRM IRP)";**
- S.S0028-003-B: "OAM&P for cdma2000 (3GPP2 core NRM IRP)";
- S.S0028-004-B: "OAM&P for cdma2000 (3GPP2 radio access NRM IRP)".

	Document No.	Version	Status	Issued date	Location
CCSA	CCSA-TSD-MC-S.S0028-002-B	1.0	Published	-09-2005	http://www.ccsa.org.cn/english/tc/files.php?docpath=/ITU-T/Q.1742/Q.1742.5
TTA	TTAT.3G-S.S0028-002-B v1.0	1.0	Published	09-12-2005	http://www.tta.or.kr/standardDB/stnfile/TTAT.3G-S.S0028-002-B v1.0.zip
TTC	TS-3GB-S.S0028-002-Bv1.0	1.0	Published	02-06-2005	http://www.ttc.or.jp/imt2000/ts/tsss0028-002-bv1.0.pdf

**10.4.25.15 S.S0028-002-B version 2.0 OAM&P for cdma2000 (3GPP2 generic NRM IRP)
(18 July 2005)**

The present document is the 3GPP2 generic NRM IRP component of a multipart specification intended to define the OAM&P stages 2 and 3 requirements and interface definitions for CDMA- & cdma2000^{®2}-based systems. This multipart specification consists of:

- S.S0028-000-B: "OAM&P for cdma2000 (overview)";
- S.S0028-001-B: "OAM&P for cdma2000 (3GPP R5 delta specification)";
- **S.S0028-002-B: "OAM&P for cdma2000 (3GPP2 generic NRM IRP)";**
- S.S0028-003-B: "OAM&P for cdma2000 (3GPP2 core NRM IRP)";
- S.S0028-004-B: "OAM&P for cdma2000 (3GPP2 radio access NRM IRP)".

	Document No.	Version	Status	Issued date	Location
TTC	TS-3GB-S.S0028-002-Bv2.0	2.0	Published	25-11-2005	http://www.ttc.or.jp/j/document_list/free/TS/TS-3GB-S.S0028-002-Bv2.0.pdf

**10.4.25.16 S.S0028-002-C version 1.0 OAM&P for cdma2000 (3GPP2 generic NRM IRP)
revision: C (18 January 2006)**

The present document is the 3GPP2 generic NRM IRP component of a multipart specification intended to define the OAM&P stages 2 and 3 requirements and interface definitions for CDMA- & cdma2000^{®2}-based systems. This multipart specification consists of:

- S.S0028-000-C: "OAM&P for cdma2000 (overview)";
- S.S0028-001-C: "OAM&P for cdma2000 (3GPP R6 delta specification)";
- **S.S0028-002-C: "OAM&P for cdma2000 (3GPP2 generic NRM IRP)";**
- S.S0028-003-C: "OAM&P for cdma2000 (3GPP2 core NRM IRP)";
- S.S0028-004-C: "OAM&P for cdma2000 (3GPP2 radio access NRM IRP)".

	Document No.	Version	Status	Issued date	Location
CCSA	CCSA-S.S0028-002-C v1.0	1.0	Published	31-01-2007	http://www.ccsa.org.cn/english/tc/files.php?docpath=/ITU-T/Q.1742
TTA	TTAT.3G-S.S0028-002-C v1.0	1.0	Published	15-02-2007	http://www.tta.or.kr/standardDB/stnfile/TTAT.3G-S.S0028-002-C v1.0.zip
TTC	TS-3GB-S.S0028-002-Cv1.0	1.0	Published	02-06-2006	http://www.ttc.or.jp/imt2000/ts/tsss0028-002-cv1.0.pdf

**10.4.25.17 S.S0028-002-C version 2.0 OAM&P for cdma2000 (3GPP2 generic NRM IRP)
revision: C (11 October 2007)**

The present document is the 3GPP2 generic NRM IRP component of a multipart specification intended to define the OAM&P stages 2 and 3 requirements and interface definitions for CDMA- & cdma2000^{®2}-based systems. This multipart specification consists of:

- S.S0028-000-C: "OAM&P for cdma2000 (overview)";
- S.S0028-001-C: "OAM&P for cdma2000 (3GPP R6 delta specification)";
- **S.S0028-002-C: "OAM&P for cdma2000 (3GPP2 generic NRM IRP)";**
- S.S0028-003-C: "OAM&P for cdma2000 (3GPP2 core NRM IRP)";
- S.S0028-004-C: "OAM&P for cdma2000 (3GPP2 radio access NRM IRP)".

	Document No.	Version	Status	Issued date	Location
TTC	TS-3GB-S.S0028-002-Cv2.0	2.0	Published	28-11-2007	http://www.ttc.or.jp/j/document_list/free/TS/TS-3GB-S.S0028-002-Cv2.0.pdf

10.4.25.18 S.S0028-003-B version 1.0 OAM&P for cdma2000 (3GPP2 core NRM IRP) (17 February 2005)

The present document is the 3GPP2 core NRM IRP component of a multipart specification intended to define the OAM&P stages 2 and 3 requirements and interface definitions for CDMA- & cdma2000[®]-based systems. This multipart specification consists of:

- S.S0028-000-B: "OAM&P for cdma2000 (overview)";
- S.S0028-001-B: "OAM&P for cdma2000 (3GPP R5 delta specification)";
- S.S0028-002-B: "OAM&P for cdma2000 (3GPP2 generic NRM IRP)";
- **S.S0028-003-B: "OAM&P for cdma2000 (3GPP2 core NRM IRP)";**
- S.S0028-004-B: "OAM&P for cdma2000 (3GPP2 radio access NRM IRP)"

	Document No.	Version	Status	Issued date	Location
CCSA	CCSA-TSD-MC-S.S0028-003-B	1.0	Published	-09-2005	http://www.ccsa.org.cn/english/tc/files.php?docpath=/ITU-T/Q.1742/Q.1742.5
TTA	TTAT.3G-S.S0028-003-B v1.0	1.0	Published	09-12-2005	http://www.tta.or.kr/standardDB/stnfile/TTAT.3G-S.S0028-003-B v1.0.zip
TTC	TS-3GB-S.S0028-003-Bv1.0	1.0	Published	02-06-2005	http://www.ttc.or.jp/imt2000/ts/tsss0028-003-bv1.0.pdf

10.4.25.19 S.S0028-003-B version 2.0 OAM&P for cdma2000 (3GPP2 core NRM IRP) revision: B (18 July 2005)

The present document is the 3GPP2 core NRM IRP component of a multipart specification intended to define the OAM&P stages 2 and 3 requirements and interface definitions for CDMA- & cdma2000[®]-based systems. This multipart specification consists of:

- S.S0028-000-B: "OAM&P for cdma2000 (overview)";
- S.S0028-001-B: "OAM&P for cdma2000 (3GPP R5 delta specification)";
- S.S0028-002-B: "OAM&P for cdma2000 (3GPP2 generic NRM IRP)";
- **S.S0028-003-B: "OAM&P for cdma2000 (3GPP2 core NRM IRP)";**
- S.S0028-004-B: "OAM&P for cdma2000 (3GPP2 radio access NRM IRP)".

	Document No.	Version	Status	Issued date	Location
CCSA	CCSA-TSD-MC-S.S0028-003-B	2.0	Published	-01-2006	http://www.ccsa.org.cn/english/tc/files.php?docpath=/ITU-T/Q.1742/Q.1742.5
TTA	TTAT.3G-S.S0028-003-B v2.0	2.0	Published	19-04-2006	http://www.tta.or.kr/standardDB/stnfile/TTAT.3G-S.S0028-003-B v2.0.zip
TTC	TS-3GB-S.S0028-003-B v2.0	2.0	Published	25-11-2005	http://www.ttc.or.jp/imt2000/ts/tsss0028-003-bv2.0.pdf

10.4.25.20 S.S0028-003-C version 1.0 OAM&P for cdma2000 (3GPP2 core NRM IRP) revision: C (18 January 2006)

The present document is the 3GPP2 core NRM IRP component of a multipart specification intended to define the OAM&P stages 2 and 3 requirements and interface definitions for CDMA- & cdma2000[®]-based systems. This multipart specification consists of:

- S.S0028-000-C: "OAM&P for cdma2000 (overview)";
- S.S0028-001-C: "OAM&P for cdma2000 (3GPP R6 delta specification)";

- S.S0028-002-C: "OAM&P for cdma2000 (3GPP2 generic NRM IRP)";
- **S.S0028-003-C: "OAM&P for cdma2000 (3GPP2 core NRM IRP)";**
- S.S0028-004-C: "OAM&P for cdma2000 (3GPP2 radio access NRM IRP)".

	Document No.	Version	Status	Issued date	Location
CCSA	CCSA-S.S0028-003-C v1.0	1.0	Published	31-01-2007	http://www.ccsa.org.cn/english/tc/files.php?docpath=/ITU-T/Q.1742
TTA	TTAT.3G-S.S0028-003-C v1.0	1.0	Published	15-02-2007	http://www.tta.or.kr/standardDB/stnfile/TTAT.3G-S.S0028-003-C v1.0.zip
TTC	TS-3GB-S.S0028-003-Cv1.0	1.0	Published	02-06-2006	http://www.ttc.or.jp/imt2000/ts/tsss0028-003-cv1.0.pdf

10.4.25.21 S.S0028-003-C version 2.0 OAM&P for cdma2000 (3GPP2 core NRM IRP) revision: C (11 October 2007)

The present document is the 3GPP2 core NRM IRP component of a multipart specification intended to define the OAM&P stages 2 and 3 requirements and interface definitions for CDMA- & cdma2000^{®2}-based systems. This multipart specification consists of:

- S.S0028-000-C: "OAM&P for cdma2000 (overview)";
- S.S0028-001-C: "OAM&P for cdma2000 (3GPP R6 delta specification)";
- S.S0028-002-C: "OAM&P for cdma2000 (3GPP2 generic NRM IRP)";
- **S.S0028-003-C: "OAM&P for cdma2000 (3GPP2 core NRM IRP)";**
- S.S0028-004-C: "OAM&P for cdma2000 (3GPP2 radio access NRM IRP)".

	Document No.	Version	Status	Issued date	Location
TTC	TS-3GB-S.S0028-003-Cv2.0	2.0	Published	28-11-2007	http://www.ttc.or.jp/j/document_list/free/TS/TS-3GB-S.S0028-003-Cv2.0.pdf

10.4.25.22 S.S0028-004-B version 1.0 OAM&P for cdma2000 (radio access NRM IRP) (17 February 2005)

The present document is the 3GPP2 radio access NRM IRP component of a multipart specification intended to define the OAM&P stages 2 and 3 requirements and interface definitions for CDMA- & cdma2000^{®2}-based systems. This multipart specification consists of:

- S.S0028-000-B: "OAM&P for cdma2000 (overview)";
- S.S0028-001-B: "OAM&P for cdma2000 (3GPP R5 delta specification)";
- S.S0028-002-B: "OAM&P for cdma2000 (3GPP2 generic NRM IRP)";
- S.S0028-003-B: "OAM&P for cdma2000 (3GPP2 core NRM IRP)";
- **S.S0028-004-B: "OAM&P for cdma2000 (3GPP2 radio access NRM IRP)".**

	Document No.	Version	Status	Issued date	Location
CCSA	CCSA-TSD-MC-S.S0028-004-B	1.0	Published	-09-2005	http://www.ccsa.org.cn/english/tc/files.php?docpath=/ITU-T/Q.1742/Q.1742.5
TTA	TTAT.3G-S.S0028-004-B v1.0	1.0	Published	09-12-2005	http://www.tta.or.kr/standardDB/stnfile/TTAT.3G-S.S0028-004-B v1.0.zip
TTC	TS-3GB-S.S0028-004-Bv1.0	1.0	Published	02-06-2005	http://www.ttc.or.jp/imt2000/ts/tsss0028-004-bv1.0.pdf

**10.4.25.23 S.S0028-004-B version 2.0 OAM&P for cdma2000 (radio access NRM IRP)
(17 February 2005)**

The present document is the 3GPP2 radio access NRM IRP component of a multipart specification intended to define the OAM&P stages 2 and 3 requirements and interface definitions for CDMA- & cdma2000²-based systems. This multipart specification consists of:

- S.S0028-000-B: "OAM&P for cdma2000 (overview)";
- S.S0028-001-B: "OAM&P for cdma2000 (3GPP R5 delta specification)";
- S.S0028-002-B: "OAM&P for cdma2000 (3GPP2 generic NRM IRP)";
- S.S0028-003-B: "OAM&P for cdma2000 (3GPP2 core NRM IRP)";
- **S.S0028-004-B: "OAM&P for cdma2000 (3GPP2 radio access NRM IRP)".**

	Document No.	Version	Status	Issued date	Location
CCSA	CCSA-TSD-MC-S.S0028-004-B	2.0	Published	-01-2006	http://www.ccsa.org.cn/english/tc/files.php?docpath=/ITU-T/Q.1742/Q.1742.5
TTA	TTAT.3G-S.S0028-004-B v2.0	2.0	Published	19-04-2006	http://www.tta.or.kr/standardDB/stnfile/TTAT.3G-S.S0028-004-B v2.0.zip
TTC	TS-3GB-S.S0028-004-B v2.0	2.0	Published	25-11-2005	http://www.ttc.or.jp/imt2000/ts/tsss0028-004-bv2.0.pdf

**10.4.25.24 S.S0028-004-C version 1.0 OAM&P for cdma2000 (radio access NRM IRP)
revision: C (18 January 2006)**

The present document is the 3GPP2 radio access NRM IRP component of a multipart specification intended to define the OAM&P stages 2 and 3 requirements and interface definitions for CDMA- & cdma2000²-based systems. This multipart specification consists of:

- S.S0028-000-C: "OAM&P for cdma2000 (overview)";
- S.S0028-001-C: "OAM&P for cdma2000 (3GPP R6 delta specification)";
- S.S0028-002-C: "OAM&P for cdma2000 (3GPP2 generic NRM IRP)";
- S.S0028-003-C: "OAM&P for cdma2000 (3GPP2 core NRM IRP)";
- **S.S0028-004-C: "OAM&P for cdma2000 (3GPP2 radio access NRM IRP)".**

	Document No.	Version	Status	Issued date	Location
CCSA	CCSA-S.S0028-004-C v1.0	1.0	Published	31-01-2007	http://www.ccsa.org.cn/english/tc/files.php?docpath=/ITU-T/Q.1742
TTA	TTAT.3G-S.S0028-004-C v1.0	1.0	Published	15-02-2007	http://www.tta.or.kr/standardDB/stnfile/TTAT.3G-S.S0028-004-C v1.0.zip
TTC	TS-3GB-S.S0028-004-Cv1.0	1.0	Published	02-06-2006	http://www.ttc.or.jp/imt2000/ts/tsss0028-004-cv1.0.pdf

**10.4.25.25 S.S0028-004-C version 2.0 OAM&P for cdma2000 (radio access NRM IRP)
revision: C (11 October 2007)**

The present document is the 3GPP2 radio access NRM IRP component of a multipart specification intended to define the OAM&P stages 2 and 3 requirements and interface definitions for CDMA- & cdma2000²-based systems. This multipart specification consists of:

- S.S0028-000-C: "OAM&P for cdma2000 (overview)";
- S.S0028-001-C: "OAM&P for cdma2000 (3GPP R6 delta specification)";
- S.S0028-002-C: "OAM&P for cdma2000 (3GPP2 generic NRM IRP)";
- S.S0028-003-C: "OAM&P for cdma2000 (3GPP2 core NRM IRP)";
- **S.S0028-004-C: "OAM&P for cdma2000 (3GPP2 radio access NRM IRP)".**

	Document No.	Version	Status	Issued date	Location
TTC	TS-3GB-S.S0028-004-Cv2.0	2.0	Published	28-11-2007	http://www.ttc.or.jp/document_list/free/TS/TS-3GB-S.S0028-004-Cv2.0.pdf

10.4.26 S.R0029 version 1.0. access control based on call type (22 September 2000)

This document defines requirements for the cdma2000 air interface to support access control based on call type (ACCT). ACCT provides the control of access attempt from mobile stations by service option or a set of service options.

Control for terminating calls to mobile stations are outside the scope of this feature description.

	Document No.	Version	Status	Issued date	Location
CCSA	CWTS-MC-S.R0029	1.0.0	Published	-02-2002	http://www.ccsa.org.cn/english/tc/files.php?docpath=/ITU-R/M.1457/M.1457-4/MC
TTA	TTAE.3G-S.R0029 v1.0.0	1.0.0	Published	28-10-2002	http://www.tta.or.kr/standardDB/stnfile/TTAE.3G-S.R0029v1.0.0.pdf
TTC	TS-3GB-S.R0029v1.0	1.0	Published	29-05-2001	http://www.ttc.or.jp/imt2000/ts/tssr0029-v1.0.pdf

10.4.27 S.R0030 version 1.0 broadcast/multicast services – stage 1 (22 August 2001)

The objective of this document is to define and to standardize the functionality of broadcast/multicast services that can be incorporated into the operations of cdma2000 based wireless telecommunications networks. This document defines the functional characteristics and requirements of broadcast/multicast services.

	Document No.	Version	Status	Issued date	Location
CCSA	CWTS-MC-S.R0030	1.0.0	Published	-02-2002	http://www.ccsa.org.cn/english/tc/files.php?docpath=/ITU-T/Q.1742/200306/MC
TTA	TTAE.3G-S.R0030-0 v1.0	1.0	Published	19-12-2001	http://www.tta.or.kr/imt2000/TTAE.3G-S.R0030-0 v1.0.zip
TTC	TS-3GB-S.R0030-0v1.0	1.0	Published	28-11-2001	http://www.ttc.or.jp/imt2000/ts/tssr0030-0v1.0.pdf

10.4.27.1 S.R0030-A version 1.0 broadcast/multicast services – stage 1 revision A (15 January 2004)

The objective of this document is to define and to standardize the functionality of broadcast/multicast services that can be incorporated into the operations of cdma2000 based wireless telecommunications networks. This document defines the functional characteristics and requirements of broadcast/multicast services.

	Document No.	Version	Status	Issued date	Location
CCSA	CCSA-TSD-MC-S.R0030-A v1.0	1.0	Published	15-01-2004	http://www.ccsa.org.cn/english/tc/files.php?docpath=/ITU-T/Q.1742
TTA	TTAT.3G-S.R0030-A v1.0	1.0	Published	15-11-2004	http://www.tta.or.kr/standardDB/stnfile/TTAT.3G-S.R0030-A v1.0.zip
TTC	TS-3GB-S.R0030-A v1.0	1.0	Published	28-05-2004	http://www.ttc.or.jp/imt2000/ts/tssr0030-av1.0.pdf

10.4.28 S.R0032-0 version 1.0 enhanced subscriber authentication (ESA) and enhanced subscriber privacy (ESP) (6 December 2000)

This document defines requirements for the cdma2000 air interface to support enhanced subscriber authentication (ESA) and enhanced subscriber privacy (ESP). ESA provides enhanced security in

authentication and ESP provides enhanced privacy of user data. Selection of cryptographic algorithms is outside the scope of this feature description.

	Document No.	Version	Status	Issued date	Location
CCSA	CWTS-MC-S.R0032	1.0	Published	-02-2002	http://www.ccsa.org.cn/english/tc/files.php?docpath=/ITU-R/M.1457/M.1457-4/MC
TTA	TTAE.3G-S.R0032	1	Published	19-12-2001	http://www.tta.or.kr/standardDB/stnfile/TTAE_3G-S_R0032.zip
TTC	JP-3GB-S.R0032	1	Published	14-05-2001	http://www.ttc.or.jp/imt2000/std/jpsr0032.pdf

10.4.29 S.R0033-0 version 1.0 realm configured packet data session dormancy timer (6 December 2001)

This document specifies the requirements for the operations of the RC-PDSDT (realm configured packet data session dormancy timer) feature from the perspective of the user(s) and/or the system operator. The RC-PDSDT is a timer which is used to measure the duration of dormancy of a packet data session. The purpose of this timer is similar to the packet data inactivity timer specified in the C.S0017 standard.

The objective is to define and to standardize the functionality of this feature/service that can be incorporated into the operations of cdma2000 based wireless telecommunications networks.

	Document No.	Version	Status	Issued date	Location
CCSA	CWTS-MC-S.R0033	1.0	Published	-02-2002	http://www.ccsa.org.cn/english/tc/files.php?docpath=/ITU-T/Q.1742/200306/MC
TTA	TTAT.3G-S.R0033-0 v1.0	1.0	Published	21-03-2003	http://www.tta.or.kr/imt2000/TTAT.3G-S.R0033-0 v1.0.zip

10.4.30 S.R0034-0 version 1.0 user identification module ID manufacturer's code assignment guidelines and procedures (18 April 2001)

These guidelines are based on the content of the ANSI TIA/EIA -41 "Family of Standards" (e.g., AMPS (EIA/TIA-553), CDMA (TIA/EIA-95 and TIA/EIA/IS-2000), and TDMA (IS-54, IS-136)). It is recommended that systems which are based on the ANSI TIA/EIA-41 family of standards and which are deployed outside of the United States follow these guidelines.

	Document No.	Version	Status	Issued date	Location
CCSA	CWTS-MC-S.R0034	1.0	Published	-02-2002	http://www.ccsa.org.cn/english/tc/files.php?docpath=/ITU-R/M.1457/M.1457-4/MC
TTA	TTAE.3G-S.R0034	1.0	Published	19-12-2001	http://www.tta.or.kr/standardDB/stnfile/TTAE_3G-S_R0034.zip
TTC	TS-3GB-S.R0034v1.0	1.0	Published	29-05-2001	http://www.ttc.or.jp/imt2000/ts/tssr0034-v.10.pdf

10.4.30.1 S.R0034-0 version 2.0 user identification module ID manufacturer's code assignment guidelines and procedures (29 August 2002)

These guidelines are based on the content of the ANSI TIA/EIA -41 "Family of standards" (e.g., AMPS (EIA/TIA-553), CDMA (TIA/EIA-95 and TIA/EIA/IS-2000), and TDMA (IS-54, IS-136)). It is recommended that systems which are based on the ANSI TIA/EIA-41 family of standards and which are deployed outside of the United States follow these guidelines. This is to facilitate international roaming and to minimize fraud.

	Document No.	Version	Status	Issued date	Location
CCSA	CCSA-TSD-MC-S.R0034	2.0	Published	-09-2003	http://www.ccsa.org.cn/english/tc/files.php?docpath=/ITU-T/Q.1742/R3-2003-11
TTA	TTAT.3G-S.R0034-0_v2.0	2.0	Published	30-10-2003	http://www.tta.or.kr/standardDB/stnfile/TTAT.3G-S.R0034-0_v2.0.zip
TTC	TS-3GB-S.R0034-0v2.0	2.0	Published	26-11-2002	http://www.ttc.or.jp/imt2000/ts/tssr0034-0v20.pdf

10.4.30.2 S.R0034-0 version 3.0 user identification module ID manufacturer's code assignment guidelines and procedures (26 July 2007)

These guidelines are based on the content of the ANSI TIA/EIA -41 "Family of standards" (e.g., AMPS (EIA/TIA-553), CDMA (TIA/EIA-95 and TIA/EIA/IS-2000), and TDMA (IS-54, IS-136)). It is recommended that systems which are based on the ANSI TIA/EIA-41 family of standards and which are deployed outside of the United States follow these guidelines. This is to facilitate international roaming and to minimize fraud.

	Document No.	Version	Status	Issued date	Location
CCSA	CCSA-TSD-MC-S.R0034-0 v3.0	3.0	Published	25-11-2007	http://www.ccsa.org.cn/english/tc/files.php?docpath=/ITU-T/Q.1742/R3-2003-11
TTA	TTAT.3G-S.R0034-0 v3.0	3.0	Published	24-12-2007	http://www.tta.or.kr/standardDB/stnfile/TTAT.3G-S.R0034-0 v3.0.zip
TTC	TS-3GB-S.R0034-0v3.0	3.0	Published	28-11-2007	http://www.ttc.or.jp/j/document_list/free/TS/TS-3GB-S.R0034-0v3.0.pdf

10.4.31 S.R0037-0 version 2.0 IP network architecture model for cdma2000 spread spectrum systems (14 May 2002)

3GPP2 document is superseded by S.R0037-0 version 3.

10.4.31.1 S.R0037-0 version 3.0 IP network architecture model for cdma2000 spread spectrum systems (21 August 2003)

This document recommends the basic 3GPP2 wireless IP network architecture model.

	Document No.	Version	Status	Issued date	Location
CCSA	CCSA-TSD-MC-S.R0037-0 v3.0	3.0	Published	21-08-2003	http://www.ccsa.org.cn/english/tc/files.php?docpath=/ITU-T/Q.1742
TIA	TSB-151		Published	-12-2003	http://www.tiaonline.org/standards/catalog/index.cfm
TTA	TTAT.3G-S.R0037-0 v3.0	3.0	Published	15-11-2004	http://www.tta.or.kr/standardDB/stnfile/TTAT.3G-S.R0037-0 v3.0.zip
TTC	TS-3GB-S.R0037-0v3.0	3.0	Published	28-11-2003	http://www.ttc.or.jp/imt2000/ts/tssr0037-0v3.0.pdf

10.4.31.2 S.R0037-A version 1.0 IP network architecture model for cdma2000 spread spectrum systems (May 2007)

This document recommends the basic 3GPP2 wireless IP network architecture model.

	Document No.	Version	Status	Issued date	Location
TIA	TSB-151-A		Published	-02-2009	http://www.tiaonline.org/standards/catalog/index.cfm
TTC	TS-3GB-S.R0037-A v1.0	1.0	Published	07-09-2007	http://www.ttc.or.jp/j/document_list/free/TS/TS-3GB-S.R0037-Av1.0.pdf

10.4.31.3 S.R0037-B version 1.0 IP network architecture model for cdma2000 spread spectrum systems (June 2007)

This document recommends the basic 3GPP2 wireless IP network architecture model.

	Document No.	Version	Status	Issued date	Location
CCSA	CCSA-TSD-MC-S.R0037-B v1.0	1.0	Published	25-11-2007	http://www.ccsa.org.cn/english/tc/files.php?docpath=/ITU-T/Q.1742/Q.1742.7/
TTA	TTAT.3G-S.R0037-B v1.0	1.0	Published	24-12-2007	http://www.tta.or.kr/standardDB/stnfile/TTAT.3G-S.R0037-B v1.0.zip

10.4.31.4 S.R0037-B version 2.0 IP network architecture model for cdma2000 spread spectrum systems (June 2009)

This document recommends the basic 3GPP2 wireless IP network architecture model.

	Document No.	Version	Status	Issued date	Location
CCSA	CCSA-TSD-MC-S.R0037-B v2.0	2.0	Published	-12-2009	http://www.ccsa.org.cn/english/files.php?docpath=/ITU-T/Q.1742//Q.1742.8
TTA	TTAT.3G-S.R0037-Bv2.0	2.0	Published	29-01-2010	http://www.tta.or.kr/data/ttasDown.jsp?where=14688&pk_num=TTAT.3G-S.R0037-B v2.0

10.4.32 S.R0048-0 version 1.0 3G mobile equipment identifier (MEID) (10 May 2001)

The objective of this document is to define and standardize the structure of the 3G mobile equipment identifier.

	Document No.	Version	Status	Issued date	Location
CCSA	CWTS-MC-S.R0048	1.0	Published	-02-2002	http://www.ccsa.org.cn/english/tc/files.php?docpath=/ITU-R/M.1457/M.1457-4/MC
TTA	TTAE.3G-S.R0048-0 v.1.0	1.0	Published	19-12-2001	http://www.tta.or.kr/standardDB/stnfile/TTAE_3G-S_R0048 v1.0.zip
TTC	TS-3GB-S.R0048v1.0	1.0	Published	29-08-2001	http://www.ttc.or.jp/imt2000/ts/tssr0048-v1.0.pdf

10.4.32.1 S.R0048-A version 1.0 3G mobile equipment identifier (MEID) (22 August 2003)

The objective of this document is to define and standardize the structure of the 3G mobile equipment identifier. To facilitate mobile equipment identification and reduce the need to rely on ESNs to track mobiles, the need for a new identifier is required. The mobile equipment identifier (MEID) is proposed as a means to achieve these goals. Additionally, as global roaming and harmonization between 3G technologies becomes a reality, the need for a universal mobile equipment identifier is needed. The MEID is meant to address these issues.

	Document No.	Version	Status	Issued date	Location
CCSA	CCSA-TSD-MC-S.R0048-A v1.0	1.0	Published	22-08-2003	http://www.ccsa.org.cn/english/tc/files.php?docpath=/ITU-T/Q.1742
TTA	TTAT.3G-S.R0048-A v1.0	1.0	Published	15-11-2004	http://www.tta.or.kr/standardDB/stnfile/TTAT.3G-S.R0048-A v1.0.zip
TTC	TS-3GB-S.R0048-A v1.0	1.0	Published	28-11-2003	http://www.ttc.or.jp/imt2000/ts/tssr0048-av1.0.pdf

10.4.32.2 S.R0048-A version 2.0 3G mobile equipment identifier (MEID) stage 1 (22 April 2004)

The objective of this document is to define and standardize the structure of the 3G mobile equipment identifier. To facilitate mobile equipment identification and reduce the need to rely on ESNs to track mobiles the need for a new identifier is required. The mobile equipment identifier (MEID) is proposed as a means to achieve these goals. Additionally as global roaming and harmonization between 3G technologies becomes a reality the need for a universal mobile equipment identifier is needed. The MEID is meant to address these issues.

	Document No.	Version	Status	Issued date	Location
CCSA	CCSA-TSD-MC-S.R0048-A v2.0	2.0	Published	22-04-2004	http://www.ccsa.org.cn/english/tc/files.php?docpath=/ITU-T/Q.1742
TTA	TTAT.3G-S.R0048-A v2.0	2.0	Published	15-11-2004	http://www.tta.or.kr/standardDB/stnfile/TAT.3G-S.R0048-A v2.0.zip
TTC	TS-3GB-S.R0048-A v2.0	2.0	Published	03-09-2004	http://www.ttc.or.jp/imt2000/ts/tssr0048-av2.0.pdf

10.4.32.3 S.R0048-A version 3.0 3G mobile equipment identifier (MEID) stage 1 (23 September 2004)

The objective of this document is to define and standardize the structure of the 3G mobile equipment identifier. To facilitate mobile equipment identification and reduce the need to rely on ESNs to track mobiles the need for a new identifier is required. The mobile equipment identifier (MEID) is proposed as a means to achieve these goals. Additionally, as global roaming and harmonization between 3G technologies becomes a reality, the need for a universal mobile equipment identifier is needed. The MEID is meant to address these issues.

	Document No.	Version	Status	Issued date	Location
CCSA	CCSA-TSD-MC-S.R0048-A	3.0	Published	-09-2005	http://www.ccsa.org.cn/english/tc/files.php?docpath=/ITU-T/Q.1742/Q.1742.5
TTA	TTAT.3G-S.R0048-A v3.0	3.0	Published	09-12-2005	http://www.tta.or.kr/standardDB/stnfile/TAT.3G-S.R0048-A v3.0.zip
TTC	TS-3GB-S.R0048-Av3.0	3.0	Published	30-11-2004	http://www.ttc.or.jp/imt2000/ts/tssr0048-av3.0.pdf

10.4.32.4 S.R0048-A version 4.0 3G mobile equipment identifier (MEID) stage 1 (23 June 2005)

The objective of this document is to define and standardize the structure of the 3G mobile equipment identifier.

	Document No.	Version	Status	Issued date	Location
CCSA	CCSA-TSD-MC-S.R0048-A	4.0	Published	-01-2006	http://www.ccsa.org.cn/english/tc/files.php?docpath=/ITU-T/Q.1742/Q.1742.5
TTA	TTAT.3G-S.R0048-A v4.0	4.0	Published	19-04-2006	http://www.tta.or.kr/standardDB/stnfile/TAT.3G-S.R0048-A v4.0.zip
TTC	TS-3GB-S.R0048-Av4.0	4.0	Published	03-03-2006	http://www.ttc.or.jp/imt2000/ts/tssr0048-av4.0.pdf

10.4.33 S.R0051 version 1.0 enhanced message service (EMS) stage 1 description (25 July 2001)

This document specifies the system requirements for enhanced message service (EMS).

The objective is to define and to standardize the functionality of this capability that can be incorporated into the operation of cdma2000-based wireless telecommunications networks.

	Document No.	Version	Status	Issued date	Location
CCSA	CWTS-MC-S.R0051	1.0	Published	-02-2002	http://www.ccsa.org.cn/english/tc/files.php?docpath=/ITU-T/Q.1742/200306/MC
TTA	TTAE.3G-S.R0051-0 v.1.0	1.0	Published	19-12-2001	http://www.tta.or.kr/imt2000/TTAE_3G-S_R0051_v1.0.zip
TTC	TS-3GB-S.R0051-0v1.0	1.0	Published	28-11-2001	http://www.ttc.or.jp/imt2000/ts/tssr0051-0v1.0.pdf

10.4.34 S.R0052-0 version 1.0 system release guide for the release (ALPHA) of the cdma2000 system specifications (15 January 2004)

This document is re-numbered as SC.R2003-002 v1.0.

10.4.35 S.S0053-0 version 1.0 common cryptographic algorithms (21 January 2002)

This document describes detailed cryptographic procedures for wireless system applications. These procedures are used to perform the security services of mobile station authentication, subscriber message encryption, and encryption key and subscriber voice privacy key generation within wireless equipment.

	Document No.	Version	Status	Issued date	Location
TTA	TTAE.3G-S.S0053 v1.0	1.0	Published	28-10-2002	http://www.tta.or.kr/imt2000/TTAE.3G-S.S0053-0v1.0.pdf

10.4.35.1 S.S0053-0 version 2.0 common cryptographic algorithms (May 2009)

This document describes detailed cryptographic procedures for wireless system applications. These procedures are used to perform the security services of mobile station authentication, subscriber message encryption, and encryption key and subscriber voice privacy key generation within wireless equipment.

	Document No.	Version	Status	Issued date	Location
ARIB	STD-T64-S.S0053-0 v2.0	2.0	Published	16-12-2009	http://www.arib.or.jp/IMT-2000/ARIB-STD/ITU-T/T64forQ.1742.8/ARIB_STD-T64-S.S0053-0v2.0.pdf

10.4.36 S.S0054-0 version 1.0 interface specification for common cryptographic algorithms (21 January 2002)

This document describes the interfaces to cryptographic procedures for wireless system applications. These procedures are used to perform the security services of mobile station authentication, subscriber message encryption, and encryption key and subscriber voice privacy key generation within wireless equipment. The procedures are described in detail in common cryptographic algorithms.

The purpose of this specification is to describe the cryptographic functions without revealing the technical details that are subject to export controls under regional laws. It is intended that developers of 3GPP2 specifications for systems using these cryptographic functions use the information in this document in standards that are not subject to export restrictions.

	Document No.	Version	Status	Issued date	Location
ARIB	STD-T64-S.S0054-0 v1.0	1.0	Published	29-07-2003	http://www.arib.or.jp/IMT-2000/ARIB-STD/ITU-T/ARIB_ITU-T_Q.1742/ARIB_STD-T64-S.S0054-0_V1.0.PDF
TTA	TTAE.3G-S.S0054 v1.0	1.0	Published	28-10-2002	http://www.tta.or.kr/imt2000/TTAE.3G-S.S0054-0v1.0.pdf

10.4.37 S.S0055-0 version 1.0 enhanced cryptographic algorithms (21 January 2002)

This document describes detailed cryptographic procedures for wireless system applications. These procedures are used to perform the security services of mutual authentication between mobile stations and base stations, subscriber message encryption, and key agreement within wireless equipment.

	Document No.	Version	Status	Issued date	Location
ARIB	STD-T64-S.S0055-0 v1.0	1.0	Published	29-07-2003	http://www.arib.or.jp/IMT-2000/ARIB-STD/ITU-T/ARIB_ITU-T_Q.1742/ARIB_STD-T64-S.S0055-0_V1.0.PDF
TIA	TIA-946		Published	-06-2003	http://www.tiaonline.org/standards/catalog/index.cfm
TTA	TTAE.3G-S.S0055 v1.0	1.0	Published	28-10-2002	http://www.tta.or.kr/imt2000/TTAE.3G-S.S0055-0v1.0.pdf

10.4.37.1 S.S0055-A version 1.0 enhanced cryptographic algorithms (November 2003)

This document describes detailed cryptographic procedures for wireless system applications. These procedures are used to perform the security services of mutual authentication between mobile stations and base stations, subscriber message encryption, and key agreement within wireless equipment.

	Document No.	Version	Status	Issued date	Location
CCSA	CCSA-TSD-MC-S.S0055-A v1.0	1.0	Published	-11-2003	http://www.ccsa.org.cn/english/tc/files.php?docpath=/ITU-T/Q.1742
TTA	TTAT.3G-S.S0055-A v1.0	1.0	Published	15-11-2004	http://www.tta.or.kr/standardDB/stnfile/TTAT.3G-S.S0055-A v1.0.zip

10.4.37.2 S.S0055-A version 2.0 enhanced cryptographic algorithms (17 January 2005)

This document describes detailed cryptographic procedures for wireless system applications. These procedures are used to perform the security services of mutual authentication between mobile stations and base stations, subscriber message encryption, and key agreement within wireless equipment.

	Document No.	Version	Status	Issued date	Location
CCSA	CCSA-TSD-MC-S.S0055-A	2.0	Published	-09-2005	http://www.ccsa.org.cn/english/tc/files.php?docpath=/ITU-T/Q.1742/Q.1742.5
TTA	TTAT.3G-S.S0055-A v2.0	2.0	Published	09-12-2005	http://www.tta.or.kr/standardDB/stnfile/TTAT.3G-S.S0055-A v2.0.zip

10.4.37.3 S.S0055-A version 3.0 enhanced cryptographic algorithms (26 September 2005)

This document describes detailed cryptographic procedures for wireless system applications. These procedures are used to perform the security services of mutual authentication between mobile

stations and base stations, subscriber message encryption, and key agreement within wireless equipment.

	Document No.	Version	Status	Issued date	Location
CCSA	CCSA-TSD-MC-S.S0055-A	3.0	Published	-01-2006	http://www.ccsa.org.cn/english/tc/files.php?docpath=/ITU-T/Q.1742/Q.1742.5
TIA	TIA-946-1		Published	-10-2006	http://www.tiaonline.org/standards/catalog/index.cfm
TTA	TTAT.3G-S.S0055-A v3.0	3.0	Published	19-04-2006	http://www.tta.or.kr/standardDB/stnfile/TTAT.3G-S.S0055-A v3.0.zip

10.4.37.4 S.S0055-A Version 4.0 enhanced cryptographic algorithms (January 2008)

This document describes detailed cryptographic procedures for wireless system applications. These procedures are used to perform the security services of mutual authentication between mobile stations and base stations, subscriber message encryption, and key agreement within wireless equipment.

	Document No.	Version	Status	Issued date	Location
ARIB	STD-T64-S.S0055-A v4.0	4.0	Published	06-06-2008	http://www.arib.or.jp/IMT-2000/ARIB-STD/ITU-T/T64forQ.1742.8/ARIB_STD-T64-S.S0055-Av4.0.pdf
TIA	TIA-946-2 [E]		Published	-03-2008	http://www.tiaonline.org/standards/catalog/index.cfm

10.4.38 S.R0057-0 version 1.0 IP-based service architecture system requirements (9 July 2002)

This document specifies the system requirements for the "IP-based service architecture" from the perspective of the user(s) and/or the network operator for the support of IP multimedia applications.

IP multimedia applications are supported by IP multimedia sessions that use IP connectivity bearers of the all-IP network. This document identifies stage 1 architectural requirements for the All IP network to support the applications.

The objective is to define and to standardize the "IP-based service architecture" that can be incorporated into the operations of cdma2000 based wireless telecommunications networks.

	Document No.	Version	Status	Issued date	Location
CCSA	CWTS-MC-S.R0057	1.0	Published	-12-2002	http://www.ccsa.org.cn/english/tc/files.php?docpath=/ITU-T/Q.1742/200306/MC
TTA	TTAT.3G-S.R0057-0 v1.0	1.0	Published	21-03-2003	http://www.tta.or.kr/imt2000/TTAT.3G-S.R0057-0 v1.0.zip
TTC	TS-3GB-S.R0057-0v1.0	1.0	Published	26-11-2002	http://www.ttc.or.jp/imt2000/ts/tssr0057-0v1.0.pdf

10.4.39 S.R0058-0 version 1.0 IP multimedia domain system requirements (17 April 2003)

This document specifies the system requirements for and operations of the IP multimedia domain (IP-MM Domain) system. The IP multimedia domain system encompasses the mobile station, the access network and the core network. The various major functions and capabilities of the IP-MM Domain system are discussed with a focus on the broad requirements that shall be met in providing those functions and capabilities.

The requirements contained in this document apply to the complete IP multimedia domain system. Actual development of stage 2 and stage 3 work is expected to be done in a phased manner, with

releases of the specifications containing successively more complete implementations of these requirements.

	Document No.	Version	Status	Issued date	Location
CCSA	CCSA-TSD-MC-S.R0058	1.0	Published	-09-2003	http://www.ccsa.org.cn/english/tc/files.php?docpath=/ITU-T/Q.1742/R3-2003-11
TTA	TTAT.3G-S.R0058_v1.0	1.0	Published	30-10-2003	http://www.tta.or.kr/standardDB/stnfile/TTAT.3G-S.R0058_v1.0.zip
TTC	TS.3GB-S.R0058-0v1.0	1.0	Published	28-05-2004	http://www.ttc.or.jp/j/document_list/free/TS/TS-3GB-S.R0058-0v1.0.pdf

10.4.40 S.R0059-0 version 1.0 legacy MS domain – step 1 system requirements (16 May 2002)

This document specifies the system requirements for and operations of the initial release (step-1) of the legacy mobile station domain (LMSD) of the all-IP network. Each of the functional entities of the LMSD is described with respect to functionality, interfaces and the roles it plays in the functioning of the network.

The requirements contained in this document apply only to the initial step of the LMSD.

	Document No.	Version	Status	Issued date	Location
CCSA	CWTS-MC-S.R0059	1.0	Published	-12-2002	http://www.ccsa.org.cn/english/tc/files.php?docpath=/ITU-T/Q.1742/200306/MC
TTA	TTAT.3G-S.R0059-0 v1.0	1.0	Published	21-03-2003	http://www.tta.or.kr/imt2000/TTAT.3G-S.R0059-0 v1.0.zip

10.4.41 S.R0060-0 version 1.0 removable user identity module (R-UIM) / mobile equipment (ME) interface testing stage 1 description (14 March 2002)

This document specifies the product conformance objectives to be met by the removable user identity module (R-UIM) / mobile equipment (ME) interface test specification. The overall objective of this activity is the development of an industry standard compliance test specification, which can be employed to ensure that R-UIM equipped handsets properly interface with various vendor-provided R-UIM cards.

	Document No.	Version	Status	Issued date	Location
ARIB	TR-T13-S.R0060-0 v1.0	1.0	Published	29-07-2003	http://www.arib.or.jp/IMT-2000/ARIB-STD/ITU-T/ARIB_ITU-T_Q.1742/ARIB_TR-T13-S.R0060-0_V1.0.PDF
CCSA	CWTS-MC-S.R0060	1.0	Published	-12-2002	http://www.ccsa.org.cn/english/tc/files.php?docpath=/ITU-T/Q.1742/200306/MC
TTA	TTAT.3G-S.R0060-0 v1.0	1.0	Published	21-03-2003	http://www.tta.or.kr/imt2000/TTAT.3G-S.R0060-0 v1.0.zip

10.4.42 S.R0061-0 version 1.0 wireless immediate messaging stage 1 requirements (25 October 2002)

This document specifies the requirements for and operations of the immediate messaging feature from the perspective of the user(s) and/or the system operator. Immediate messaging (IM) is one of the most popular services on the Internet because of its near real-time, interactive nature. IM, using presence information, allows users to determine when their friends are online and communicate with them in near real-time.

The objective is to define and to standardize the functionality of this feature/service that can be incorporated into the operations of 3GPP2 based wireless telecommunications networks. This

document makes extensive use of the Internet terminology to ensure alignment with immediate messaging service description and behavior in Internet recommendations.

	Document No.	Version	Status	Issued date	Location
CCSA	CCSA-TSD-MC-S.R0061	1.0	Published	-09-2003	http://www.ccsa.org.cn/english/tc/files.php?docpath=/ITU-T/Q.1742/R3-2003-11
TTA	TTAT.3G-S.R0061-0_v1.0	1.0	Published	30-10-2003	http://www.tta.or.kr/standardDB/stnfile/TTAT.3G-S.R0061-0_v1.0.zip

10.4.43 S.R0062-0 version 1.0 presence for wireless systems stage 1 requirements (30 October 2002)

This document defines stage 1 level requirements of the presence service from the perspective of the user and the system operator, so that it may be incorporated into cdma2000 based wireless networks. This document limits itself to presence service and does not delve into other applications that make use of presence, such as instant messaging.

Presence is an attribute related to, but quite different from mobility information, and is a service that can be exploited to create additional services. The presence service enables presence information to be made available to other users or services. This stage 1 makes extensive use of Internet terminology to ensure alignment with the presence service description and behavior in Internet recommendations.

	Document No.	Version	Status	Issued date	Location
CCSA	CCSA-TSD-MC-S.R0062	1.0	Published	-09-2003	http://www.ccsa.org.cn/english/tc/files.php?docpath=/ITU-T/Q.1742/R3-2003-11
TTA	TTAT.3G-S.R0062-0_v1.0	1.0	Published	30-10-2003	http://www.tta.or.kr/standardDB/stnfile/TTAT.3G-S.R0062-0_v1.0.zip

10.4.44 S.R0064-0 version 1.0 multimedia messaging services (MMS) stage 1 requirements (30 October 2002)

This document defines the stage 1 description of the non real-time multimedia messaging service (MMS). The MMS will allow users to send and receive messages exploiting the whole array of media types available today, e.g., text, images, audio, and video, while also making it possible to support new content types as they become popular. A multimedia message (MM), as observed by the user, is a combination of one or more different media elements in a multimedia presentation that can be transferred without the requirements for the need to be transferred in real-time. The multimedia messaging service shall be capable of supporting current and future multimedia types, and exploit the advances being made in the multimedia technology, with additional mobile requirements. Stage 1 is the set of requirements seen primarily from the subscriber's and service providers' points of view. It includes information of relevance to network operators, media content suppliers, service providers, and terminal and network manufacturers.

It contains core requirements for the multimedia messaging service, sufficient to provide a complete service.

	Document No.	Version	Status	Issued date	Location
CCSA	CCSA-TSD-MC-S.R0064-0	1.0	Published	-09-2003	http://www.ccsa.org.cn/english/tc/files.php?docpath=/ITU-T/Q.1742/R3-2003-11
TTA	TTAT.3G-S.R0064-0_v1.0	1.0	Published	30-10-2003	http://www.tta.or.kr/standardDB/stnfile/TTAT.3G-S.R0064-0_v1.0.zip
TTC	TS-3GB-S.R0064-0v1.0	1.0	Published	14-02-2003	http://www.ttc.or.jp/imt2000/ts/tssr0064-0v1.0.pdf

10.4.44.1 S.R0064-A version 1.0 multimedia messaging services (MMS) stage 1 requirements (22 April 2004)

This document defines the stage 1 description of the non real-time multimedia messaging service (MMS). The MMS will allow users to send and receive messages exploiting the whole array of media types available today, e.g., text, images, audio, and video, while also making it possible to support new content types as they become popular. A multimedia message (MM), as observed by the user, is a combination of one or more different media elements in a multimedia presentation that can be transferred without the requirements for the need to be transferred in real-time. The multimedia messaging service shall be capable of supporting current and future multimedia types, and exploit the advances being made in the multimedia technology, with additional mobile requirements. Stage 1 is the set of requirements seen primarily from the subscriber's and service providers' points of view. It includes information of relevance to network operators, media content suppliers, service providers, and terminal and network manufacturers.

It contains core requirements for the multimedia messaging service, sufficient to provide a complete service.

	Document No.	Version	Status	Issued date	Location
CCSA	CCSA-TSD-MC-S.R0064-A v1.0	1.0	Published	25-11-2007	http://www.ccsa.org.cn/english/tc/files.php?docpath=/ITU-T/Q.1742/Q.1742-7/
TTA	TTAT.3G-S.R0064-A v1.0	1.0	Published	15-11-2007	http://www.tta.or.kr/standardDB/stnfile/TTAT.3G-S.R0064-A v1.0.zip

10.4.45 S.R0065-0 version 1.0 fast call set-up system requirements (15 April 2002)

This document specifies the system requirements for fast call setup. This feature allows accelerated process in call setup (bearer resource assignment), which is particularly beneficial when a connection is returned from dormancy as a result of a packet arrival to the wireless network. The feature can be considered as falling into the category of standing requirements for network performance improvement.

The objective is to define and to standardize the functionality of this capability that can be incorporated into the operations of cdma2000 based wireless telecommunications networks.

The fast call setup feature is a set of enhancements/mechanisms that reduce the latency involved in MS terminated and MS originated call setup.

Call setup involves a set of signaling message exchange between the mobile station, the base station, and the network in order to allocate resources and allow user communication to proceed. Each step of this process introduces delay that contributes to the end-to-end call setup latency. Enhancements that reduce the delay in each step of this process and enhancements that streamline this process result in reduced call setup latency which is beneficial to cdma2000 services.

	Document No.	Version	Status	Issued date	Location
CCSA	CWTS-MC-S.R0065	1.0	Published	-12-2002	http://www.ccsa.org.cn/english/tc/files.php?docpath=/ITU-T/Q.1742/200306/MC
TTA	TTAT.3G-S.R0065-0 v1.0	1.0	Published	21-03-2003	http://www.tta.or.kr/imt2000/TTAT.3G-S.R0065-0 v1.0.zip
TTC	TS-3GB-S.R0065-0v1.0	1.0	Published	27-08-2002	http://www.ttc.or.jp/imt2000/ts/tssr0065-0v1.0.pdf

10.4.46 S.R0066-0 version 1.0 IP based location services stage 1 requirements (17 April 2003)

This version of the stage 1 supports location through IP in current packet data connections offered in cdma2000. SIP-based services in the all-IP domain (MMD), such as VoIP, are not assumed to be supported. Thus deployment of IP based location services will be possible prior to a full

standardization and deployment of MMD. By the same token, there is no concept of an "emergency call" in the current packet data domain.

	Document No.	Version	Status	Issued date	Location
CCSA	CCSA-TSD-MC-S.R0066-0	1.0	Published	-09-2003	http://www.ccsa.org.cn/english/tc/files.php?docpath=/ITU-T/Q.1742/R3-2003-11
TTA	TTAT.3G-S.R0066-0_v1.0	1.0	Published	30-10-2003	http://www.tta.or.kr/standardDB/stnfile/TTAT.3G-S.R0066-0_v1.0.zip
TTC	TS-3GB-S.R0066-0v1.0	1.0	Published	28-05-2004	http://www.ttc.or.jp/j/document_list/free/TS/TS-3GB-S.R0066-0v1.0.pdf

10.4.47 S.R0068-0 version 1.0 link layer assisted robust header compression stage 1 requirements (11 June 2002)

This document specifies the requirements for and operations of the link layer assisted header compression (LLA HC) from the perspective of the user and the system operator.

The objective is to define and to standardize the functionality of this feature that can be incorporated into the operations of cdma2000 based wireless telecommunications networks.

The scope of this feature is in support of QoS-enabled packet data service. This feature may also be used to support the all-IP multimedia domain, although all-IP is not the only application.

	Document No.	Version	Status	Issued date	Location
CCSA	CWTS-MC-S.R0068	1.0	Published	-12-2002	http://www.ccsa.org.cn/english/tc/files.php?docpath=/ITU-T/Q.1742/200306/MC
TTA	TTAT.3G-S.R0068-0 v1.0	1.0	Published	21-03-2003	http://www.tta.or.kr/imt2000/TTAT.3G-S.R0068-0 v1.0.zip
TTC	TS-3GB-S.R0068-0v1.0	1.0	Published	26-11-2002	http://www.ttc.or.jp/imt2000/ts/tssr0068-0v1.0.pdf

10.4.48 S.R0069-0 version 1.0 header stripping and generation stage 1 requirements (15 March 2002)

This document specifies the requirements for and operations of the header stripping and generation feature from the perspective of the user and the system operator.

The objective is to define and to standardize the functionality of this feature that can be incorporated into the operations of cdma2000 based wireless telecommunications networks.

The scope of this feature is in support of QoS-enabled packet data service. This feature may also be used to support the all-IP multimedia domain, although all-IP is not the only application.

	Document No.	Version	Status	Issued date	Location
CCSA	CWTS-MC-S.R0069	1.0	Published	-12-2002	http://www.ccsa.org.cn/english/tc/files.php?docpath=/ITU-T/Q.1742/200306/MC
TTA	TTAT.3G-S.R0069-0 v1.0	1.0	Published	21-03-2003	http://www.tta.or.kr/imt2000/TTAT.3G-S.R0069-0 v1.0.zip

10.4.49 S.R0070-0 version 1.0 work item, stage 1 and system requirements process guidelines (16 May 2002)

3GPP2 document is superseded by SC.R1003-0 v1.0.

10.4.50 S.R0071 version 1.0 legacy system packet data surveillance requirements stage 1 requirements (18 April 2002)

The 3GPP2 Steering Committee found that the packet data surveillance feature (also known as packet data intercept, legal surveillance, lawful surveillance, or electronic surveillance) was regional in nature and should be left to the appropriate SDOs to develop, with 3GPP2 consulting as requested.

This document serves as a pointer to the appropriate Standards Development Organization (SDO) documents for packet data surveillance (PDS) for 3GPP2 all-IP systems.

	Document No.	Version	Status	Issued date	Location
CCSA	CWTS-MC-S.R0071	1.0	Published	-12-2002	http://www.ccsa.org.cn/english/tc/files.php?docpath=/ITU-T/Q.1742/200306/MC
TTA	TTAT.3G-S.R0071-0 v1.0	1.0	Published	21-03-2003	http://www.tta.or.kr/imt2000/TTAT.3G-S.R0071-0 v1.0.zip

10.4.51 S.R0072-0 version 1.0 all-IP packet data surveillance requirements stage 1 requirements (18 April 2002)

The 3GPP2 Steering Committee found that the packet data surveillance feature (also known as packet data intercept, legal surveillance, lawful surveillance, or electronic surveillance) was regional in nature and should be left to the appropriate SDOs to develop, with 3GPP2 consulting as requested.

This document serves as a pointer to the appropriate Standards Development Organization (SDO) documents for packet data surveillance (PDS) for 3GPP2 all-IP systems.

	Document No.	Version	Status	Issued date	Location
CCSA	CWTS-MC-S.R0072	1.0	Published	-12-2002	http://www.ccsa.org.cn/english/tc/files.php?docpath=/ITU-T/Q.1742/200306/MC
TTA	TTAT.3G-S.R0072-0 v1.0	1.0	Published	21-03-2003	http://www.tta.or.kr/imt2000/TTAT.3G-S.R0072-0 v1.0.zip

10.4.52 S.R0073-0 version 1.0 Internet over-the-air handset configuration management (IOTA) stage 1 (11 July 2002)

This document specifies the requirements for and operation of Internet based over-the-air handset configuration management (IOTA HCM) from the perspective of the users and system operators.

The objective of this document is to define the requirements of this feature for incorporation into the operations of cdma2000 based wireless telecommunications systems.

	Document No.	Version	Status	Issued date	Location
CCSA	CWTS-MC-S.R0073	1.0	Published	-12-2002	http://www.ccsa.org.cn/english/tc/files.php?docpath=/ITU-T/Q.1742/200306/MC
TTA	TTAT.3G-S.R0073-0 v1.0	1.0	Published	21-03-2003	http://www.tta.or.kr/imt2000/TTAT.3G-S.R0073-0 v1.0.zip
TTC	TS-3GB-S.R0073-0v1.0	1.0	Published	26-11-2002	http://www.ttc.or.jp/imt2000/ts/tssr0073-0v1.0.pdf

10.4.53 S.R0074-0 version 1.0 file format for multimedia services (FFMS) stage 1 requirements (17 April 2003)

This document specifies the requirements for the file format for multimedia services (FFMS) feature from the perspective of the user(s) and/or the system operator. The objective is to define and to standardize the file that are used for interchanging multimedia data in general multimedia

services including the multimedia messaging services and the multimedia streaming services. Multimedia data will be stored in a single file. Employing a common file format also enables combined services. For example, a multimedia message is sent to and stored in a multimedia streaming server, and then it is used for streaming to a multimedia streaming client terminal. This document does not specify how this file format is used in specific services.

	Document No.	Version	Status	Issued date	Location
CCSA	CCSA-TSD-MC-S.R0074	1.0	Published	-09-2003	http://www.ccsa.org.cn/english/tc/files.php?docpath=/ITU-T/Q.1742/R3-2003-11
TTA	TTAT.3G-S.R0074_v1.0	1.0	Published	30-10-2003	http://www.tta.or.kr/standardDB/stnfile/TAT.3G-S.R0074_v1.0.zip
TTC	TS-3GB-S.R0074-0v1.0	1.0	Published	28-05-2004	http://www.ttc.or.jp/j/document_list/free/TS/TS-3GB-S.R0074-0v1.0.pdf

10.4.54 S.R0075-0 version 1.0 accounting and auditing all-IP system requirements (17 April 2003)

This document specifies the system requirements for accounting and auditing in the all-IP network architecture model (NAM – S.R0037-0). The AAA is the primary functional entity with respect to the accounting and auditing functionality, interfaces, and the role it plays in the support of facilities and services message accounting in the network.

	Document No.	Version	Status	Issued date	Location
CCSA	CCSA-TSD-MC-S.R0075-0	1.0	Published	-09-2003	http://www.ccsa.org.cn/english/tc/files.php?docpath=/ITU-T/Q.1742/R3-2003-11
TTA	TTAT.3G-S.R0075-0_v1.0	1.0	Published	30-10-2003	http://www.tta.or.kr/standardDB/stnfile/TAT.3G-S.R0075-0_v1.0.zip
TTC	TS-3GB-S.R0075-0v1.0	1.0	Published	28-05-2004	http://www.ttc.or.jp/j/document_list/free/TS/TS-3GB-S.R0075-0v1.0.pdf

10.4.55 S.S0078-0 version 1.0 common security algorithms (12 December 2002)

This document defines detailed cryptographic procedures for common security algorithms in 3GPP2. The procedures include authentication algorithms and privacy algorithms that are intended to satisfy the export restriction requirements of 3GPP2 organizational partners' host countries.

	Document No.	Version	Status	Issued date	Location
ARIB	STD-T64-S.S0078-0 v1.0	1.0	Published	29-07-2003	http://www.arib.or.jp/IMT-2000/ARIB-STD/ITU-T/ARIB_ITU-T_Q.1742/ARIB_STD-T64-S.S0078-0_V1.0.PDF
CCSA	CCSA-TSD-MC-S.S0078-0	1.0	Published	09-2003	http://www.ccsa.org.cn/english/tc/files.php?docpath=/ITU-T/Q.1742/R3-2003-11
TTA	TTAT.3G-S.S0078-0_v1.0	1.0	Published	30-10-2003	http://www.tta.or.kr/standardDB/stnfile/TAT.3G-S.S0078-0_v1.0.zip

10.4.55.1 S.S0078-A version 1.0 common security algorithms (13 December 2004)

This document defines detailed cryptographic procedures for common security algorithms in 3GPP2. The procedures include authentication algorithms and privacy algorithms that are intended to satisfy the export restriction requirements of 3GPP2 organizational partners' host countries.

	Document No.	Version	Status	Issued date	Location
CCSA	CCSA-TSD-MC-S.S0078-A	1.0	Published	-09-2005	http://www.ccsa.org.cn/english/tc/files.php?docpath=/ITU-T/Q.1742/Q.1742.5
TTA	TTAT.3G-S.S0078-A v1.0	1.0	Published	09-12-2005	http://www.tta.or.kr/standardDB/stnfile/TAT.3G-S.S0078-A v1.0.zip

10.4.55.2 S.S0078-A version 2.0 common security algorithms (17 January 2005)

This document defines detailed cryptographic procedures for common security algorithms in 3GPP2. The procedures include authentication algorithms and privacy algorithms that are intended to satisfy the export restriction requirements of 3GPP2 organizational partners' host countries.

	Document No.	Version	Status	Issued date	Location
CCSA	CCSA-TSD-MC-S.S0078-A	2.0	Published	-09-2005	http://www.ccsa.org.cn/english/tc/files.php?docpath=/ITU-T/Q.1742/Q.1742.5
TTA	TTAT.3G-S.S0078-A v2.0	2.0	Published	09-12-2005	http://www.tta.or.kr/standardDB/stnfile/TAT.3G-S.S0078-A v2.0.zip

10.4.55.3 S.S0078-A version 3.0 common security algorithms (26 September 2005)

This document defines detailed cryptographic procedures for common security algorithms in 3GPP2. The procedures include authentication algorithms and privacy algorithms that are intended to satisfy the export restriction requirements of 3GPP2 organizational partners' host countries.

	Document No.	Version	Status	Issued date	Location
CCSA	CCSA-TSD-MC-S.S0078-A	3.0	Published	-01-2006	http://www.ccsa.org.cn/english/tc/files.php?docpath=/ITU-T/Q.1742/Q.1742.5
TTA	TTAT.3G-S.S0078-A v3.0	3.0	Published	19-04-2006	http://www.tta.or.kr/standardDB/stnfile/TAT.3G-S.S0078-A v3.0.zip

10.4.55.4 S.S0078-A Version 4.0 common security algorithms (26 September 2005)

This document defines detailed cryptographic procedures for common security algorithms in 3GPP2. The procedures include authentication algorithms and privacy algorithms that are intended to satisfy the export restriction requirements of 3GPP2 organizational partners' host countries.

	Document No.	Version	Status	Issued date	Location
ARIB	STD-T64-S.S0078-A v4.0	4.0	Published	06-06-2008	http://www.arib.or.jp/IMT-2000/ARIB-STD/ITU-T/T64forQ.1742.8/ARIB_STD-T64-S.S0078-Av4.0.pdf

10.4.55.5 S.S0078-B version 1.0 common security algorithms (February 2008)

This document defines detailed cryptographic procedures for common security algorithms in 3GPP2. The procedures include authentication algorithms and privacy algorithms that are intended to satisfy the export restriction requirements of 3GPP2 organizational partners' host countries.

	Document No.	Version	Status	Issued date	Location
ARIB	STD-T64-S.S0078-B v1.0	1.0	Published	06-06-2008	http://www.arib.or.jp/IMT-2000/ARIB-STD/ITU-T/T64forQ.1742.8/ARIB_STD-T64-S.S0078-Bv1.0.pdf

10.4.56 S.R0079-0 version 1.0 support for end-to-end QoS stage 1 requirements (13 May 2004)

This document describes the requirements necessary to support E2E (end-to-end) QoS in the cdma2000 wireless IP network. The requirements are based on leveraging, and extending where applicable, the standard IETF protocols for QoS. The proposed functionality described by the requirements include the use of int-serv, diff-serv, int-serv to diff-serv inter-working, network

policy and subscriber profile, network provisioning and link layer to upper layer QoS adaptation. The document also specifies the requirements for the cdma2000 radio link QoS.

	Document No.	Version	Status	Issued date	Location
CCSA	CCSA-TSD-MC-S.R0079-0 v1.0	1.0	Published	13-05-2004	http://www.ccsa.org.cn/english/tc/files.php?docpath=/ITU-T/Q.1742
TTA	TTAT.3G-S.R0079-0 v1.0	1.0	Published	15-11-2004	http://www.tta.or.kr/standardDB/stnfile/TTAT.3G-S.R0079-0 v1.0.zip
TTC	TS-3GB-S.R0079-0v1.0	1.0	Published	03-09-2004	http://www.ttc.or.jp/imt2000/ts/tssr0079-0v1.0.pdf

10.4.56.1 S.R0079-A version 1.0 support for end-to-end QoS stage 1 requirements (29 June 2006)

This document describes the requirements necessary to support E2E (end-to-end) QoS in the cdma2000 wireless IP network. The requirements are based on leveraging, and extending where applicable, the standard IETF protocols for QoS. The proposed functionality described by the requirements include the use of int-serv, diff-serv, int-serv to diff-serv inter-working, network policy and subscriber profile, network provisioning and link layer to upper layer QoS adaptation. The document also specifies the requirements for the cdma2000 radio link QoS.

	Document No.	Version	Status	Issued date	Location
CCSA	CCSA-S.R0079-A v1.0	1.0	Published	31-01-2007	http://www.ccsa.org.cn/english/tc/files.php?docpath=/ITU-T/Q.1742
TTA	TTAT.3G-S.R0079-A v1.0	1.0	Published	15-02-2007	http://www.tta.or.kr/standardDB/stnfile/TTAT.3G-S.R0079-A v1.0.zip
TTC	TS-3GB-S.R0079-A v1.0	1.0	Published	25-08-2006	http://www.ttc.or.jp/imt2000/ts/tssr0079-av1.0.pdf

10.4.57 S.R0080-0 version 1.0 CDMA2000 wideband speech codec stage 1 requirements (20 February 2003)

Wideband speech and audio coding has been gaining popularity in recent years. The emergence of the third generation cellular systems as well as increasing public demand for applications such as wireless multimedia, voice over IP, videophone, ISDN teleconferencing systems, multi-point interactive audiovisual communication and audio streaming require improved voice quality and intelligibility. Multimedia services are among the main deliverables of 3G wireless communications. This implies the use of high quality audio and speech in multimedia content. Even in 3G voice applications, the introduction of wideband speech would be an important step for CDMA service providers to deliver speech quality beyond the traditional limits of wireline communication systems.

This document describes the cdma2000 wideband speech codec stage 1 requirements.

	Document No.	Version	Status	Issued date	Location
ARIB	TR-T13-S.R0080-0v1.0	1.0	Published	29-07-2003	http://www.arib.or.jp/IMT-2000/ARIB-STD/ITU-T/ARIB_ITU-T_Q.1742/ARIB_TR-T13-S.R0080-0_v1.pdf
CCSA	CCSA-TSD-MC-S.R0080-0	1.0	Published	-09-2003	http://www.ccsa.org.cn/english/tc/files.php?docpath=/ITU-T/Q.1742/R3-2003-11
TTA	TTAT.3G-S.R0080-0_v1.0	1.0	Published	30-10-2003	http://www.tta.or.kr/standardDB/stnfile/TTAT.3G-S.R0080-0 v1.0.zip

10.4.58 S.R0082-0 version 1.0 enhanced packet data air interface security (22 August 2003)

This document defines requirements for the cdma2000 air interface to support data subscriber authentication (DSA) and data privacy (DP) for packet data services. DSA provides enhanced security in authentication and DP provides enhanced privacy of user data. DSA provides mutual authentication between the access terminal and the serving access network. DP provides encryption to prevent signalling and user traffic from unauthorized disclosure, and to prevent hijacking of user data channels.

	Document No.	Version	Status	Issued date	Location
CCSA	CCSA-TSD-MC-S.R0082 v1.0	1.0	Published	22-08-2003	http://www.ccsa.org.cn/english/tc/files.php?docpath=/ITU-T/Q.1742
TTA	TTAT.3G-S.R0082 v1.0	1.0	Published	15-11-2004	http://www.tta.or.kr/standardDB/stnfile/TTAT.3G-S.R0082 v1.0.zip
TTC	TS-3GB-S.R0082-0v1.0	1.0	Published	28-11-2003	http://www.ttc.or.jp/imt2000/ts/tssr0082-0v1.0.pdf

10.4.59 S.R0083-0 version 1.0 broadcast-multicast service security framework (16 October 2003)

This document defines the security framework for the broadcast-multicast services (BCMCS). The security framework provides a logical description of the security information, functions and protocols for BCMCS.

	Document No.	Version	Status	Issued date	Location
CCSA	CCSA-TSD-MC-S.R0083-0 v1.0	1.0	Published	25-11-2007	http://www.ccsa.org.cn/english/tc/files.php?docpath=/ITU-T/Q.1742/Q.1742-7/
TTA	TTAT.3G-S.R0083-0 v1.0	1.0	Published	15-11-2004	http://www.tta.or.kr/standardDB/stnfile/TTAT.3G-S.R0083-0 v1.0.zip
TTC	TS-3GB-S.R0083-0v1.0	1.0	Published	28-05-2004	http://www.ttc.or.jp/j/document_list/free/TS/TS-3GB-S.R0083-0v1.0.pdf

10.4.59.1 S.S0083-A version 1.0 broadcast-multicast service security framework (26 August 2004)

This document defines the security framework for the broadcast-multicast services (BCMCS). The security framework provides a logical description of the security information, functions and protocols for BCMCS.

	Document No.	Version	Status	Issued date	Location
CCSA	CCSA-TSD-MC-S.S0083-A	1.0	Published	-09-2005	http://www.ccsa.org.cn/english/tc/files.php?docpath=/ITU-T/Q.1742/Q.1742.5
TIA	TIA-1053		Published	-01-2005	http://www.tiaonline.org/standards/catalog/index.cfm
TTA	TTAT.3G-S.S0083-A v1.0	1.0	Published	-09-12-2005	http://www.tta.or.kr/standardDB/stnfile/TTAT.3G-S.S0083-A v1.0.zip
TTC	TS-3GB-S.S0083-A v1.0	1.0	Published	30-11-2004	http://www.ttc.or.jp/imt2000/ts/tsss0083-av1.0.pdf

10.4.60 S.R0084-0 version 2.0 prepaid packet data service in cdma2000 wireless IP network, stage 1 requirements (18 September 2003)

Prepaid service allows the subscriber to pay for packet data services prior to usage. A prepaid subscriber establishes an account with the service provider to access packet data services in home and roaming networks.

	Document No.	Version	Status	Issued date	Location
CCSA	CCSA-TSD-MC-S.R0084-0v2.0	2.0	Published	18-09-2003	http://www.ccsa.org.cn/english/tc/files.php?docpath=/ITU-T/Q.1742
TTA	TTAT.3G-S.R0084-0 v2.0	2.0	Published	15-11-2004	http://www.tta.or.kr/standardDB/stnfile/TTAT.3G-S.R0084-0 v2.0.zip
TTC	TS-3GB-S.R0084-0v2.0	2.0	Published	28-11-2003	http://www.ttc.or.jp/imt2000/ts/tssr0084-0v2.0.pdf

10.4.61 S.R0086-A version 1.0 IMS security framework (10 June 2004)

This document addresses the access and network security for IP-based services. The scope of this technical specification is to specify the security features and mechanisms for secure access to the IM subsystem (IMS) for the 3G mobile telecommunication system.

	Document No.	Version	Status	Issued date	Location
CCSA	CCSA-TSD-MC-S.R0086Av1.0	1.0	Published	24-03-2005	http://www.ccsa.org.cn/english/tc/files.php?docpath=/ITU-T/Q.1742
TTA	TTAT.3G-S.R0086-A v1.0	1.0	Published	15-11-2004	http://www.tta.or.kr/standardDB/stnfile/TTAT.3G-S.R0086-Av1.0.zip
TTC	TS-3GB-S.R0086-A v1.0	1.0	Published	03-09-2004	http://www.ttc.or.jp/document_list/free/TS/TS-3GB-S.R0086-Av1.0.pdf

10.4.61.1 S.S0086-B version 1.0 IMS security framework (8 December 2005)

This document addresses the access and network security for IP-based services. The scope of this technical specification is to specify the security features and mechanisms for secure access to the IM subsystem (IMS) for the 3G mobile telecommunication system.

	Document No.	Version	Status	Issued date	Location
CCSA	CCSA-TSD-MC-S.S0086-B	1	Published	-01-2006	http://www.ccsa.org.cn/english/tc/files.php?docpath=/ITU-T/Q.1742/Q.1742.5
TIA	TIA-1091		Published	-12-2005	http://www.tiaonline.org/standards/catalog/index.cfm
TTA	TTAT.3G-S.S0086-B v1.0	1.0	Published	19-04-2006	http://www.tta.or.kr/standardDB/stnfile/TTAT.3G-S.S0086-B v1.0.zip
TTC	TS-3GB-S.S0086-B v1.0	1.0	Published	03-03-2006	http://www.ttc.or.jp/imt2000/ts/tsss0086-bv1.0.pdf

10.4.61.2 S.S0086-B version 2.0 IMS security framework (February 2008)

This document addresses the access and network security for IP-based services. The scope of this technical specification is to specify the security features and mechanisms for secure access to the IM subsystem (IMS) for the 3G mobile telecommunication system.

	Document No.	Version	Status	Issued date	Location
CCSA	CCSA-TSD-MC-S.S0086-B v2.0	2.0	Published	-12-2009	http://www.ccsa.org.cn/english/files.php?docpath=/ITU-T/Q.1742/Q.1742.8
TTC	TS-3GB-S.S0086-B v2.0	2.0	Published	06-12-2008	http://www.ttc.or.jp/document_list/free/TS/TS-3GB-S.S0086-Bv2.0.pdf

10.4.62 S.R0087-0 version 1.0 3GPP2 – WLAN interworking stage 1 requirements (22 July 2004)

This document describes requirements of interworking between 3GPP2 systems and wireless local area networks (WLANs). The intent of 3GPP2 – WLAN interworking is to extend 3GPP2 packet data services and/or capabilities to the WLAN environment.

	Document No.	Version	Status	Issued date	Location
CCSA	CCSA-TSD-MC-S.R0087-0	1.0	Published	-09-2005	http://www.ccsa.org.cn/english/tc/files.php?docpath=/ITU-T/Q.1742/Q.1742.5
TTA	TTAT.3G-S.R0087-0 v1.0	1.0	Published	09-12-2005	http://www.tta.or.kr/standardDB/stnfile/TTAT.3G-S.R0087-0 v1.0.zip
TTC	TS-3GB-S.R0087-0v1.0	1.0	Published	30-11-2004	http://www.ttc.or.jp/imt2000/ts/tssr0087-0v1.0.pdf

10.4.62.1 S.R0087-A version 1.0 cdma2000 – WLAN interworking stage 1 requirements (23 February 2006)

This document describes requirements of interworking between cdma2000®² systems and wireless local area networks (WLANs). The intent of cdma2000 – WLAN is to extend cdma2000 packet data and multimedia services and/or capabilities to the WLAN environment, and to support the handoff of voice calls between WLAN and cdma2000 1X circuit-switched (CS) environments.

	Document No.	Version	Status	Issued date	Location
CCSA	CCSA-S.R0087-A v1.0	1.0	Published	31-01-2007	http://www.ccsa.org.cn/english/tc/files.php?docpath=/ITU-T/Q.1742
TTA	TTAT.3G-S.R0087-A v1.0	1.0	Published	15-02-2007	http://www.tta.or.kr/standardDB/stnfile/TTAT.3G-S.R0087-A v1.0.zip
TTC	TS-3GB-S.R0087-A v1.0	1.0	Published	02-06-2006	http://www.ttc.or.jp/imt2000/ts/tssr0087-av1.0.pdf

10.4.63 S.R0090-0 version 1.0 network initiated data session (NIDS) stage 1 requirements (10 June 2004)

This document defines the requirements for providing the network initiated data session (NIDS) capability.

	Document No.	Version	Status	Issued date	Location
CCSA	CCSA-TSD-MC-S.R-0090-0 v1.0	1.0	Published	10-06-2004	http://www.ccsa.org.cn/english/tc/files.php?docpath=/ITU-T/Q.1742
TTA	TTAT.3G-S.R-0090-0 v1.0	1.0	Published	15-11-2004	http://www.tta.or.kr/standardDB/stnfile/TTAT.3G-S.R-0090-0 v1.0.zip
TTC	TS-3GB-S.R-0090-0v1.0	1.0	Published	03-09-2004	http://www.ttc.or.jp/imt2000/ts/tssr0090-0v1.0.pdf

10.4.64 S.R0092-0 version 1.0 legacy MS domain step 2 system requirements (18 March 2004)

This document specifies the system requirements for and operations of the second release (step-2) of the legacy MS domain (LMSD) of the all-IP network. Each of the functional entities of the LMSD is described with respect to functionality, interfaces, and the roles it plays in the functioning of the network.

	Document No.	Version	Status	Issued date	Location
CCSA	CCSA-TSD-MC-S.R-0092-0 v1.0	1.0	Published	18-03-2004	http://www.ccsa.org.cn/english/tc/files.php?docpath=/ITU-T/Q.1742
TTA	TTAT.3G-S.R-0092-0 v1.0	1.0	Published	15-11-2004	http://www.tta.or.kr/standardDB/stnfile/TTAT.3G-S.R-0092-0 v1.0.zip
TTC	TS-3GB-S.R0092-0v1.0	1.0	Published	28-05-2004	http://www.ttc.or.jp/imt2000/ts/tssr0092-0v1.0.pdf

10.4.65 S.S0093-0 version 1.0 cdma2000 network performance measurement types (11 December 2003)

This document defines the performance measurement types applicable to CDMA and cdma2000 systems.

	Document No.	Version	Status	Issued date	Location
CCSA	CCSA-TSD-MC-S.S0093-0 v1.0	1.0	Published	11-12-2003	http://www.ccsa.org.cn/english/tc/files.php?docpath=/ITU-T/Q.1742
TTA	TTAT.3G-S.S0093-0 v1.0	1.0	Published	15-11-2004	http://www.tta.or.kr/standardDB/stnfile/TTAT.3G-S.S0093-0 v1.0.zip
TTC	TS-3GB-S.S0093-0v1.0	1.0	Published	28-05-2004	http://www.ttc.or.jp/imt2000/ts/tsss0093-0v1.0.pdf

10.4.65.1 S.S0093-0 version 2.0 cdma2000 network performance measurement types revision: 0 (18 January 2006)

This document defines the performance measurement types applicable to CDMA and cdma2000² systems.

	Document No.	Version	Status	Issued date	Location
CCSA	CCSA-S.S0093-0 v2.0	2.0	Published	31-01-2007	http://www.ccsa.org.cn/english/tc/files.php?docpath=/ITU-T/Q.1742
TTA	TTAT.3G-S.S0093-0 v2.0	2.0	Published	15-02-2007	http://www.tta.or.kr/standardDB/stnfile/TTAT.3G-S.S0093-0 v2.0.zip
TTC	TS-3GB-S.S0093-0v2.0	2.0	Published	02-06-2006	http://www.ttc.or.jp/imt2000/ts/tsss0093-0v2.0.pdf

10.4.65.2 S.S0093-0 version 3.0 cdma2000 network performance measurement types revision: 0 (October 2008)

This document defines the performance measurement types applicable to CDMA and cdma2000² systems.

	Document No.	Version	Status	Issued date	Location
CCSA	CCSA-TSD-MC-S.S0093-0 v3.0	3.0	Published	-12-2009	http://www.ccsa.org.cn/english/files.php?docpath=/ITU-T/Q.1742//Q.1742.8
TTC	TS-3GB-S.S0093-0v3.0	3.0	Published	06-03-2009	http://www.ttc.or.jp/j/document_list/free/3gpps2009/TS/TS-3GB-S.S0093-0v3.0.pdf

10.4.66 S.R0094-0 version 1.0 R_m interface enhancements for cdma2000 system requirements (17 February 2005)

This document specifies the system requirements for an enhanced R_m Interface. The objective is to define and to standardize the functionality of this interface for incorporation into the operations of cdma2000² based wireless telecommunications networks.

The R_m interface is between a mobile termination 2 (MT2) and a terminal equipment 2 (TE2). A MT2 is a cdma2000 network interface device, such as a hand-held phone. A TE2 is a general-purpose computer such as a laptop. The R_m interface is currently specified in C.S0017 [3] to support only a best effort, point-to-point packet data link assuming the presence of an RS-232 physical layer. Enhancements are needed to support applications hosted on the TE2 that require quality of service (QoS) from the cdma2000 network, and to support a network-layer interface that can be re-used across many different physical layer technologies.

	Document No.	Version	Status	Issued date	Location
CCSA	CCSA-TSD-MC-S.R0094-0	1.0	Published	-09-2005	http://www.ccsa.org.cn/english/tc/files.php?docpath=/ITU-T/Q.1742/Q.1742.5
TTA	TTAT.3G-S.R0094-0 v1.0	1.0	Published	09-12-2005	http://www.tta.or.kr/standardDB/stnfile/TTAT.3G-S.R0094-0 v1.0.zip
TTC	TS-3GB-S.R0094-0v1.0	1.0	Published	02-06-2005	http://www.ttc.or.jp/imt2000/ts/tssr0094-0v1.0.pdf

10.4.67 S.R0095-0 version 1.0 support for IP multimedia services identity module (ISIM) on universal integrated circuit card (UICC) in 3GPP2 systems stage 1 requirements (10 June 2004)

This document defines the enhancements required for the support of IMS capable mobile stations equipped with universal integrated circuit card (UICC). This document specifies the requirements and operations for the support of ISIM on UICC.

	Document No.	Version	Status	Issued date	Location
CCSA	CCSA-TSD-MC-S.R0095-0-v1.0	1.0	Published	10-06-2004	http://www.ccsa.org.cn/english/tc/files.php?docpath=/ITU-T/Q.1742
TTA	TTAT.3G-S.R-0095-0 v1.0	1.0	Published	15-11-2004	http://www.tta.or.kr/standardDB/stnfile/TTAT.3G-S.R-0095-0 v1.0.zip
TTC	TS-3GB-S.R0095-0v1.0	1.0	Published	03-09-2004	http://www.ttc.or.jp/imt2000/ts/tssr0095-0v1.0.pdf

10.4.68 S.R0096-0 version 1.0 transcoder free operation stage 1 requirements (18 March 2004)

This document states that transcoder free operation (TrFO) is the transport of compressed speech, from legacy mobiles, in a packet transport network through the elimination of unnecessary coding and decoding of the signal by intermediate elements in the bearer path. Transcoders may be associated either with the RAN or Media GateWay (MGW). By transporting only the compressed speech, the TrFO achieves bandwidth efficiencies in the bearer stream and reduces round trip delays introduced by unnecessary transcoding. Also, TrFO may increase the voice quality. The TrFO is not applicable to VoIP. The TrFO is a capability of the legacy MS domain.

	Document No.	Version	Status	Issued date	Location
CCSA	CCSA-TSD-MC-S.R0096-0 v1.0	1.0	Published	18-03-2004	http://www.ccsa.org.cn/english/tc/files.php?docpath=/ITU-T/Q.1742
TTA	TTAT.3G-S.R0096-0 v1.0	1.0	Published	15-11-2004	http://www.tta.or.kr/standardDB/stnfile/TTAT.3G-S.R0096-0 v1.0.zip
TTC	TS-3GB-S.R0096-0v1.0	1.0	Published	28-05-2004	http://www.ttc.or.jp/imt2000/ts/tssr0096-0v1.0.pdf

10.4.69 S.R0100-0 version 1.0 push to talk over cellular (PoC) system requirements (29 September 2005)

The PoC system level requirements specified in this document describe the requirements for PoC with respect to the core network, radio access network, and mobile station. The system requirements support the application requirements and use cases specified by the OMA (Open Mobile Alliance).

	Document No.	Version	Status	Issued date	Location
CCSA	CCSA-TSD-MC-S.R0100-0 v1.0	1.0	Published	25-11-2007	http://www.ccsa.org.cn/english/tc/files.php?docpath=/ITU-T/Q.1742/Q.1742-7/
TTA	TTAT.3G-S.R0100-0 v1.0	1.0	Published	24-12-2007	http://www.tta.or.kr/standardDB/stnfile/TTAT.3G-S.R0100-0 v1.0.zip

10.4.70 S.R0101-0 version 1.0 IOTA device management for cdma2000 systems – stage 1 requirements (22 April 2004)

This document specifies the stage 1 mobile station (MS) and operator requirements for the next release of IP based over-the-air handset configuration standard.

	Document No.	Version	Status	Issued date	Location
CCSA	CCSA-TSD-MC-S.R0101-0 v1.0	1.0	Published	25-11-2007	http://www.ccsa.org.cn/english/tc/files.php?docpath=/ITU-T/Q.1742/Q.1742-7/
TTA	TTAT.3G-S.R0101-0 v1.0	1.0	Published	24-12-2007	http://www.tta.or.kr/standardDB/stnfile/TTAT.3G-S.R0101-0 v1.0.zip

10.4.71 S.R0103-0 version 1.0 network firewall configuration and control – NFCC stage 1 requirements (9 December 2004)

This document specifies the system requirements and operation of the network firewall configuration and control (NFCC) feature, from both the perspective of the subscriber and the system operator. The objective is to define and to standardize the functionality of this feature to be incorporated into the operations of CDMA2000^{®2} based wireless telecommunications networks.

	Document No.	Version	Status	Issued date	Location
CCSA	CCSA-TSD-MC-S.R0103-0	1.0	Published	-09-2005	http://www.ccsa.org.cn/english/tc/files.php?docpath=/ITU-T/Q.1742/Q.1742.5
TTA	TTAT.3G-S.R0103-0 v1.0	1.0	Published	09-12-2005	http://www.tta.or.kr/standardDB/stnfile/TTAT.3G-S.R0103-0 v1.0.zip
TTC	TS-3GB-S.R0103-0v1.0	1.0	Published	03-03-2005	http://www.ttc.or.jp/imt2000/ts/tssr0103-0v1.0.pdf

10.4.72 S.R0104-0 version 1.0 HRPD network access authentication for a hybrid access terminal (HAT) with an R-UIM used to access spread spectrum systems requirements (21 October 2004)

A hybrid access terminal (referred to herein as a hybrid access terminal or HAT) is a device which can access both cdma2000[®] 1x and HRPD networks for packet data services.

To access the cdma2000 1x network, a HAT that has a R-UIM uses R-UIM-supported CAVE-based authentication. To access the HRPD network, an optional network access authentication step may be required by the HRPD network. This optional step uses CHAP to exchange a challenge and response between the HAT and the HRPD network. Currently, CHAP specifies that MD5 is used to compute the response. It is important to note that MD5 is not currently supported by all R-UIMs used to access a cdma2000 1x network.

For an operator that deploys both cdma2000 1x and HRPD networks, there can be benefits to using common authentication credentials and authentication methods for accessing both networks.

These requirements allow a properly configured HAT with a R-UIM to use CAVE-based authentication for access to both networks. These requirements specify the HAT authentication requirements and also the support required by the HRPD AN-AAA to authenticate such a HAT.

	Document No.	Version	Status	Issued date	Location
CCSA	CCSA-TSD-MC-S.R0104-0	1.0	Published	-09-2005	http://www.ccsa.org.cn/english/tc/files.php?docpath=/ITU-T/Q.1742/Q.1742.5
TTA	TTAT.3G-S.R0104-0 v1.0	1.0	Published	09-12-2005	http://www.tta.or.kr/standardDB/stnfile/TTAT.3G-S.R0104-0 v1.0.zip
TTC	TS-3GB-S.R0104-0v1.0	1.0	Published	03-03-2005	http://www.ttc.or.jp/imt2000/ts/tssr0104-0v1.0.pdf

10.4.73 S.R0105-0 version 1.0 hot-lining service (packet data) stage 1 requirements (8 December 2004)

This document specifies the system requirements for hot-lining for packet data service. The objective is to define and to standardize the functionality of this capability that can be incorporated into the operations of cdma2000^{®2} based wireless IP networks.

	Document No.	Version	Status	Issued date	Location
CCSA	CCSA-TSD-MC-S.R0105-0	1.0	Published	-09-2005	http://www.ccsa.org.cn/english/tc/files.php?docpath=/ITU-T/Q.1742/Q.1742.5
TTA	TTAT.3G-S.R0105-0 v1.0	1.0	Published	09-12-2005	http://www.tta.or.kr/standardDB/stnfile/TAT.3G-S.R0105-0 v1.0.zip
TTC	TS-3GB-S.R0105-0v1.0	1.0	Published	03-03-2005	http://www.ttc.or.jp/imt2000/ts/tssr0105-0v1.0.pdf

10.4.74 S.R0106-0 version 1.0 packet-switched video telephony stage 1 (21 July 2005)

This document defines the functional characteristics and the requirements of the packet-switched video telephony (VT) services, sometimes also referred to as multimedia conversational services (MCSs). Video telephony is defined as one-to-one video/speech communication capability.

	Document No.	Version	Status	Issued date	Location
CCSA	CCSA-TSD-MC-S.R0106-0	1.0	Published	-01-2006	http://www.ccsa.org.cn/english/tc/files.php?docpath=/ITU-T/Q.1742/Q.1742.5
TTA	TTAT.3G-S.R0106-0 v1.0	1.0	Published	19-04-2006	http://www.tta.or.kr/standardDB/stnfile/TAT.3G-S.R0106-0 v1.0.zip
TTC	TS-3GB-S.R0106-0 v1.0	1.0	Published	25-11-2005	http://www.ttc.or.jp/imt2000/ts/tssr0106-0v1.0.pdf

10.4.74.1 S.R0106-0 version 2.0 packet-switched video telephony stage 1 (29 March 2007)

This document defines the functional characteristics and the requirements of the packet-switched video telephony (VT) services, sometimes also referred to as multimedia conversational services (MCSs). Video telephony is defined as one-to-one video/speech communication capability. VT (MCS) should be used as a basis for multiparty multimedia conferencing, but this is out of scope for the initial document revision.

	Document No.	Version	Status	Issued date	Location
CCSA	CCSA-TSD-MC-S.R0106-0 v2.0	2.0	Published	25-11-2007	http://www.ccsa.org.cn/english/tc/files.php?docpath=/ITU-T/Q.1742/Q.1742-7/
TTA	TTAT.3G-S.R0106-0 v2.0	2.0	Published	24-12-2007	http://www.tta.or.kr/standardDB/stnfile/TAT.3G-S.R0106-0 v2.0.zip
TTC	TS-3GB-S.R0106-0v2.0	2.0	Published	25-05-2007	http://www.ttc.or.jp/j/document_list/free/TS/TS-3GB-S.R0106-0v2.0.pdf

10.4.74.2 S.R0106-A version 1.0 packet-switched video telephony stage 1 requirements (May 2008)

This document defines the functional characteristics and the requirements of the packet-switched video telephony (VT) services, sometimes also referred to as multimedia conversational services (MCSs). Video telephony is defined as one-to-one video/speech communication capability. VT (MCS) should be used as a basis for multiparty multimedia conferencing, but this is out of scope for the initial document revision.

	Document No.	Version	Status	Issued date	Location
CCSA	CCSA-TSD-MC-S.R0106-A v1.0	1.0	Published	-12-2009	http://www.ccsa.org.cn/english/files.php?docpath=/ITU-T/Q.1742//Q.1742.8
TTA	TTAT.3G-S.R0106-A v1.0	1.0	Published	29-01-2010	http://www.tta.or.kr/data/ttasDown.jsp?w here=14688&pk_num=TTAT.3G-S.R0106-A v1.0
TTC	TS-3GB-S.R0106-A v1.0	1.0	Published	05-09-2008	http://www.ttc.or.jp/j/document_list/free/TS/TS-3GB-S.R0106-Av1.0.pdf

10.4.75 S.R0108-0 version 1.0 HRPD-cdma2000 1x interoperability for voice and data system requirements (23 February 2006)

This document defines the system requirements for HRPD-cdma2000 1x interoperability for voice and data. The cellular network includes multimedia domain (MMD), legacy mobile station domain support (LMSD), and HRPD/cdma2000 1x radio access networks (RANs) for the delivery of voice, video and data services.

	Document No.	Version	Status	Issued date	Location
CCSA	CCSA-S.R0108-0 v1.0	1.0	Published	31-01-2007	http://www.ccsa.org.cn/english/tc/files.php?docpath=/ITU-T/Q.1742
TTA	TTAT.3G-S.R0108-0 v1.0	1.0	Published	15-02-2007	http://www.tta.or.kr/standardDB/stnfile/TTAT.3G-S.R0108-0 v1.0.zip
TTC	TS-3GB-S.R0108-0v1.0	1.0	Published	02-06-2006	http://www.ttc.or.jp/imt2000/ts/tssr0108-0v1.0.pdf

10.4.75.1 S.R0108-0 version 2.0 HRPD-cdma2000 1x interoperability for voice and data system requirements (17 May 2007)

This document defines the system requirements for HRPD-cdma2000 1x interoperability for voice and data. The cellular network includes multimedia domain (MMD), legacy mobile station domain support (LMSD), and HRPD/cdma2000 1x radio access networks (RANs) for the delivery of voice, video and data services.

	Document No.	Version	Status	Issued date	Location
CCSA	CCSA-TSD-MC-S.R0108-0 v2.0	2.0	Published	25-11-2007	http://www.ccsa.org.cn/english/tc/files.php?docpath=/ITU-T/Q.1742/Q.1742-7/
TTA	TTAT.3G-S.R0108-0 v2.0	2.0	Published	24-12-2007	http://www.tta.or.kr/standardDB/stnfile/TTAT.3G-S.R0108-0 v2.0.zip
TTC	TS-3GB-S.R0108-0v2.0	2.0	Published	07-09-2007	http://www.ttc.or.jp/j/document_list/free/TS/TS-3GB-S.R0108-0v2.0.pdf

10.4.76 S.S0109-0 version 1.0 generic bootstrapping architecture (GBA) framework (30 March 2006)

This document describes the security features and a mechanism to bootstrap keys for application security. The scope of this specification includes a generic bootstrapping function, an architecture overview and the detailed procedure on how to bootstrap the credential. The specification also describes a mechanism, called GBA_U, to bootstrap keys inside the (R-)UIM, as well as keys in the ME. GBA_U requires GBA support in the (R-)UIM, but provides enhanced security by storing certain derived keys on the (R-)UIM.

	Document No.	Version	Status	Issued date	Location
CCSA	CCSA-S.S0109-0 v1.0	1.0	Published	31-01-2007	http://www.ccsa.org.cn/english/tc/files.php?docpath=/ITU-T/Q.1742
TIA	TIA-1098		Published	-01-2008	http://www.tiaonline.org/standards/catalog/index.cfm
TTA	TTAT.3G-S.S0109-0 v1.0	1.0	Published	15-02-2007	http://www.tta.or.kr/standardDB/stnfile/TTAT.3G-S.S0109-0 v1.0.zip
TTC	TS-3GB-S.S0109-0v1.0	1.0	Published	02-06-2006	http://www.ttc.or.jp/imt2000/ts/tsss0109-0v1.0.pdf

10.4.76.1 S.S0109-0 version 2.0 generic bootstrapping architecture (GBA) framework (February 2008)

This document describes the security features and a mechanism to bootstrap keys for application security. The scope of this specification includes a generic bootstrapping function, an architecture overview and the detailed procedure on how to bootstrap the credential. The specification also describes a mechanism, called GBA_U, to bootstrap keys inside the (R-)UIM, as well as keys in the ME. GBA_U requires GBA support in the (R-)UIM, but provides enhanced security by storing certain derived keys on the (R-)UIM.

	Document No.	Version	Status	Issued date	Location
TIA	TIA-1098		Published	-01-2008	http://www.tiaonline.org/standards/catalog/index.cfm
TTC	TS-3GB-S.S0109-0v2.0	2.0	Published	12-06-2008	http://www.ttc.or.jp/j/document_list/free/TS/TS-3GB-S.S0109-0v2.0.pdf

10.4.76.2 S.S0109-A version 1.0 generic bootstrapping architecture (GBA) framework (February 2008)

This document describes the security features and a mechanism to bootstrap keys for application security. The scope of this specification includes a generic bootstrapping function, an architecture overview and the detailed procedure on how to bootstrap the credential. The specification also describes a mechanism, called GBA_U, to bootstrap keys inside the (R-)UIM, as well as keys in the ME. GBA_U requires GBA support in the (R-)UIM, but provides enhanced security by storing certain derived keys on the (R-)UIM.

	Document No.	Version	Status	Issued date	Location
TIA	TIA-1098-A		Published	-07-2008	http://www.tiaonline.org/standards/catalog/index.cfm
TTC	TS-3GB-S.S0109-A v1.0	1.0	Published	12-06-2008	http://www.ttc.or.jp/j/document_list/free/TS/TS-3GB-S.S0109-Av1.0.pdf

10.4.77 S.S0110-0 version 1.0 IP-based location services security framework (23 February 2006)

This document defines the security framework for the IP-based location services. The security framework provides a logical description of the security information, functions and protocols for IP-based location services. The architectural design of the network that supports these functions is outside the scope of this document.

	Document No.	Version	Status	Issued date	Location
CCSA	CCSA-S.S0110-0 v1.0	1.0	Published	31-01-2007	http://www.ccsa.org.cn/english/tc/files.php?docpath=/ITU-T/Q.1742
TTA	TTAT.3G-S.S0110-0 v1.0	1.0	Published	15-02-2007	http://www.tta.or.kr/standardDB/stnfile/TAT.3G-S.S0110-0 v1.0.zip
TTC	TS-3GB-S.S0110-0v1.0	1.0	Published	02-06-2006	http://www.ttc.or.jp/imt2000/ts/tsss0110-0v1.0.pdf

10.4.78 S.R0111-0 version 1.0 expanded R-UIM identifier (26 October 2005)

An expanded R-UIM identifier (EUIM-ID) solution is needed in time to address issues associated with the impending exhaustion of the existing 32-bit UIM_ID/ESN numbering space in CDMA networks. The purpose of introducing a new identifier is to define a larger numbering space, and also set the stage for moving away from the functions, such as authentication and reverse long code mask generation.

	Document No.	Version	Status	Issued date	Location
CCSA	CCSA-TSD-MC-S.R0111-0	1.0	Published	-01-2006	http://www.ccsa.org.cn/english/tc/files.php?docpath=/ITU-T/Q.1742/Q.1742.5
TTA	TTAT.3G-S.R0111-0 v1.0	1.0	Published	19-04-2006	http://www.tta.or.kr/standardDB/stnfile/TAT.3G-S.R0111-0 v1.0.zip
TTC	TS-3GB-S.R0111-0 v1.0	1.0	Published	03-03-2006	http://www.ttc.or.jp/imt2000/ts/tssr0111-0v1.0.pdf

10.4.78.1 S.R0111-0 version 2.0 expanded R-UIM identifier stage 1 requirements (17 May 2007)

An expanded R-UIM identifier (EUIM-ID) solution is needed in time to address issues associated with the impending exhaustion of the existing 32-bit UIM_ID/ESN numbering space in CDMA networks. The purpose of introducing a new identifier is to define a larger numbering space, and also set the stage for moving away from the functions, such as authentication and reverse long code mask generation.

	Document No.	Version	Status	Issued date	Location
CCSA	CCSA-TSD-MC-S.R0111-0 v2.0	2.0	Published	25-11-2007	http://www.ccsa.org.cn/english/tc/files.php?docpath=/ITU-T/Q.1742/Q.1742-7/
TTA	TTAT.3G-S.R0111-0 v2.0	2.0	Published	24-12-2007	http://www.tta.or.kr/standardDB/stnfile/TAT.3G-S.R0111-0 v2.0.zip
TTC	TS-3GB-S.R0111-0v2.0	2.0	Published	28-11-2007	http://www.ttc.or.jp/j/document_list/free/TS/TS-3GB-S.R0111-0v2.0.pdf

10.4.79 S.R0112-0 version 1.0 generic bootstrapping architecture system requirements (8 December 2005)

This specification contains the high level requirements for the generic bootstrapping architecture work. The aim of this work is to specify a general method of providing an application and a mobile with some shared keying material. The requirements on how the application and mobile use this shared keying material is out of scope of specification.

	Document No.	Version	Status	Issued date	Location
CCSA	CCSA-TSD-MC-S.R0112-0	1.0	Published	-01-2006	http://www.ccsa.org.cn/english/tc/files.php?docpath=/ITU-T/Q.1742/Q.1742.5
TTA	TTAT.3G-S.R0112-0 v1.0	1.0	Published	19-04-2006	http://www.tta.or.kr/standardDB/stnfile/TAT.3G-S.R0112-0 v1.0.zip
TTC	TS-3GB-S.R0112-0 v1.0	1.0	Published	03-03-2006	http://www.ttc.or.jp/imt2000/ts/tssr0112-0v1.0.pdf

10.4.80 S.R0113-0 version 1.0 cdma2000 enhanced packet data air interface system requirements document (25 May 2006)

3GPP2 document was withdrawn.

10.4.80.1 S.R0113-0 version 2.0 cdma2000 enhanced packet data air interface system requirements document (17 May 2007)

This document specifies the system requirements for the development of the cdma2000^{®2} enhanced packet data air interface (E-PDAI) system. E-PDAI is a part of cdma2000 evolution effort. This document is intended to be used to guide the formal technical development of the E-PDAI air interfaced system and applicable IOS support.

	Document No.	Version	Status	Issued date	Location
CCSA	CCSA-TSD-MC-S.R0113-0 v2.0	2.0	Published	25-11-2007	http://www.ccsa.org.cn/english/tc/files.php?docpath=/ITU-T/Q.1742/Q.1742-7/
TTA	TTAT.3G-S.R0113-0 v2.0	2.0	Published	24-12-2007	http://www.tta.or.kr/standardDB/stnfile/TAT.3G-S.R0113-0 v2.0.zip
TTC	TS-3GB-S.R0113-0v2.0	2.0	Published	07-09-2007	http://www.ttc.or.jp/j/document_list/free/TS/TS-3GB-S.R0113-0v2.0.pdf

10.4.81 S.S0114-0 version 1.0 security mechanisms using GBA (30 March 2006)

This document describes profile of security mechanisms such that the mechanism can utilize keys that have been generated using the generic bootstrapping architecture (GBA). The GBA is a method of providing keys in a generic manner based on the GPP2 authentication methods.

	Document No.	Version	Status	Issued date	Location
CCSA	CCSA-S.S0114-0 v1.0	1.0	Published	31-01-2007	http://www.ccsa.org.cn/english/tc/files.php?docpath=/ITU-T/Q.1742
TIA	TIA-1097		Published	-01-2008	http://www.tiaonline.org/standards/catalog/index.cfm
TTA	TTAT.3G-S.S0114-0 v1.0	1.0	Published	02-15-2007	http://www.tta.or.kr/standardDB/stnfile/TAT.3G-S.S0114-0 v1.0.zip
TTC	TS-3GB-S.S0114-0v1.0	1.0	Published	02-06-2006	http://www.ttc.or.jp/imt2000/ts/tsss0114-0v1.0.pdf

10.4.81.1 S.S0114-0 version 2.0 security mechanisms using GBA (February 2008)

This document describes profile of security mechanisms such that the mechanism can utilize keys that have been generated using the generic bootstrapping architecture (GBA). The GBA is a method of providing keys in a generic manner based on the 3GPP2 authentication methods.

	Document No.	Version	Status	Issued date	Location
TIA	TIA-1097		Published	-01-2008	http://www.tiaonline.org/standards/catalog/index.cfm
TTC	TS-3GB-S.S0114-0v2.0	2.0	Published	12-06-2008	http://www.ttc.or.jp/j/document_list/free/TS/TS-3GB-S.S0114-0v2.0.pdf

10.4.81.2 S.S0114-A version 1.0 security mechanisms using GBA (February 2008)

This document describes profile of security mechanisms such that the mechanism can utilize keys that have been generated using the generic bootstrapping architecture (GBA). The GBA is a method of providing keys in a generic manner based on the 3GPP2 authentication methods.

	Document No.	Version	Status	Issued date	Location
TTC	TS-3GB-S.S0114-A v1.0	1.0	Published	12-06-2008	http://www.ttc.or.jp/j/document_list/free/TS/TS-3GB-S.S0114-Av1.0.pdf

10.4.82 S.R0115-0 version 1.0 all-IP network emergency call support stage 1 requirements (14 September 2006)

This document specifies the system requirements for all-IP network emergency call support as described in [1]. With the introduction of VoIP in HRPD [2], WLAN [6], or other air interfaces, it is important to add support for emergency calls. The intent of this specification is to provide a general set of functionality with the flexibility needed to support variances in regional regulatory requirements.

	Document No.	Version	Status	Issued date	Location
CCSA	CCSA-S.R0115-0 v1.0	1.0	Published	31-01-2007	http://www.ccsa.org.cn/english/tc/files.php?docpath=/ITU-T/Q.1742
TTA	TTAT.3G-S.R0115-0 v1.0	1.0	Published	15-02-2007	http://www.tta.or.kr/standardDB/stnfile/TTAT.3G-S.R0115-0 v1.0.zip
TTC	TS-3GB-S.R0115-0v1.0	1.0	Published	01-12-2006	http://www.ttc.or.jp/imt2000/ts/tssr0115-0v1.0.pdf

10.4.82.1 S.R0115-0 version 2.0 all-IP network emergency call support stage 1 requirements (October 2007)

This document specifies the system requirements for all-IP network emergency call support as described in [1]. With the introduction of VoIP in HRPD [2], WLAN [6], or other air interfaces, it is important to add support for emergency calls. The intent of this specification is to provide a general set of functionality with the flexibility needed to support variances in regional regulatory requirements.

	Document No.	Version	Status	Issued date	Location
TIA	TIA-1133		Published	-07-2008	http://www.tiaonline.org/standards/catalog/index.cfm
TTA	TTAT.3G-S.R0115-0v2.0	2.0	Published	29-01-2010	http://www.tta.or.kr/data/tasDown.jsp?where=14688&pk_num=TTAT.3G-S.R0115-0 v2.0
TTC	TS-3GB-S.R0115-0v2.0	2.0	Published	28-11-2007	http://www.ttc.or.jp/j/document_list/free/TS/TS-3GB-S.R0115-0v2.0.pdf

10.4.83 S.R0117-0 version 1.0 multimedia priority service (MMPS) for MMD-based networks – stage 1 requirements (29 June 2006)

The scope of this requirements document is to define the requirements for multimedia priority service for MMD-based networks.

	Document No.	Version	Status	Issued date	Location
CCSA	CCSA-S.R0117-0 v1.0	1.0	Published	31-01-2007	http://www.ccsa.org.cn/english/tc/files.php?docpath=/ITU-T/Q.1742
TTA	TTAT.3G-S.R0117-0 v1.0	1.0	Published	15-02-2007	http://www.tta.or.kr/standardDB/stnfile/TAT.3G-S.R0117-0 v1.0.zip
TTC	TS-3GB-S.R0117-0v1.0	1.0	Published	25-08-2006	http://www.ttc.or.jp/imt2000/ts/tssr0117-0v1.0.pdf

10.4.84 S.R0118-0 version 1.0 telephone number mapping (ENUM) stage 1 requirements (25 May 2006)

The scope of this requirements document is to define the requirements for multimedia priority service for MMD-based networks.

	Document No.	Version	Status	Issued date	Location
CCSA	CCSA-S.R0118-0 v1.0	1.0	Published	31-01-2007	http://www.ccsa.org.cn/english/tc/files.php?docpath=/ITU-T/Q.1742
TTA	TTAT.3G-S.R0118-0 v1.0	1.0	Published	15-02-2007	http://www.tta.or.kr/standardDB/stnfile/TAT.3G-S.R0118-0 v1.0.zip
TTC	TS-3GB-S.R0118-0v1.0	1.0	Published	25-08-2006	http://www.ttc.or.jp/imt2000/ts/tssr0118-0v1.0.pdf

10.4.85 S.R0120-0 version 1.0 all IP system – MMD policy enhancements (September 2007)

Multimedia domain (MMD) specifications enable an operator to apply quality of service (QoS) policy controls to the Internet protocol (IP) connectivity access network on session-based applications, and to provision flow-based charging rules at the packet data serving node (PDSN). These current specifications are confined to the PDSN as the sole policy enforcement point supported. The scope of MMD policy needs to be expanded to include overall coordination of network resource usage for session initiation protocol (SIP) and non-SIP applications for all subscribers, enhancements to policy contexts, and incorporation of additional network elements in the policy architecture. This document specifies the system requirements related to these MMD policy enhancements, which are intended to guide the associated technical specification development.

	Document No.	Version	Status	Issued date	Location
CCSA	CCSA-TSD-MC-S.R0120-0 v1.0	1.0	Published	25-11-2007	http://www.ccsa.org.cn/english/tc/files.php?docpath=/ITU-T/Q.1742/Q.1742-7/
TTA	TTAT.3G-S.R0120-0 v1.0	1.0	Published	24-12-2007	http://www.tta.or.kr/standardDB/stnfile/TAT.3G-S.R0120-0 v1.0.zip
TTC	TS-3GB-S.R0120-0v1.0	1.0	Published	28-11-2007	http://www.ttc.or.jp/j/document_list/free/TS/TS-3GB-S.R0120-0v1.0.pdf

10.4.86 S.R0121-0 version 1.0 network evolution for cdma2000 networks system requirements document (17 May 2007)

The scope of this requirements document is to define the requirements for multimedia priority service for MMD-based networks.

	Document No.	Version	Status	Issued date	Location
CCSA	CCSA-TSD-MC-S.R0121-0 v1.0	1.0	Published	25-11-2007	http://www.ccsa.org.cn/english/tc/files.php?docpath=/ITU-T/Q.1742/Q.1742-7/
TTA	TTAT.3G-S.R0121-0 v1.0	1.0	Published	24-12-2007	http://www.tta.or.kr/standardDB/stnfile/TTAT.3G-S.R0121-0 v1.0.zip
TTC	TS-3GB-S.R0121-0v1.0	1.0	Published	07-09-2007	http://www.ttc.or.jp/j/document_list/free/TS/TS-3GB-S.R0121-0v1.0.pdf

10.4.87 S.R0122-0 version 1.0 preferred cryptographic profiles (29 March 2007)

The scope of this requirements document is to define the requirements for multimedia priority service for MMD-based networks.

	Document No.	Version	Status	Issued date	Location
CCSA	CCSA-TSD-MC-S.R0122-0 v1.0	1.0	Published	25-11-2007	http://www.ccsa.org.cn/english/tc/files.php?docpath=/ITU-T/Q.1742/Q.1742-7/
TTA	TTAT.3G-S.R0122-0 v1.0	1.0	Published	24-12-2007	http://www.tta.or.kr/standardDB/stnfile/TTAT.3G-S.R0122-0 v1.0.zip
TTC	TS-3GB-S.R0122-0v1.0	1.0	Published	25-05-2007	http://www.ttc.or.jp/j/document_list/free/TS/TS-3GB-S.R0122-0v1.0.pdf

10.4.88 S.R0123-0 version 1.0 enhanced MMD Security – stage 1 requirements (September 2005)

The scope of this requirements document is to define the requirements for multimedia priority service for MMD-based networks.

	Document No.	Version	Status	Issued date	Location
CCSA	CCSA-TSD-MC-S.R0123-0 v1.0	1.0	Published	25-11-2007	http://www.ccsa.org.cn/english/tc/files.php?docpath=/ITU-T/Q.1742/Q.1742-7/
TTA	TTAT.3G-S.R0123-0 v1.0	1.0	Published	24-12-2007	http://www.tta.or.kr/standardDB/stnfile/TTAT.3G-S.R0123-0 v1.0.zip
TTC	TS-3GB-S.R0123-0v1.0	1.0	Published	28-11-2007	http://www.ttc.or.jp/j/document_list/free/TS/TS-3GB-S.R0123-0v1.0.pdf

10.4.89 S.R0124-0 version 1.0 ultra mobile broadband network architecture model (April 2008)

This document provides the network architecture model (NAM) for the ultra mobile broadband (UMB) system. The NAM supports the requirements in [1] and the Phase II requirements in [2].

	Document No.	Version	Status	Issued date	Location
TTC	TS-3GB-S.R0124-0v1.0	1.0	Published	12-06-2008	http://www.ttc.or.jp/j/document_list/free/TS/TS-3GB-S.R0124-0v1.0.pdf

10.4.89.1 S.R0124-0 version 2.0 ultra mobile broadband network architecture model (June 2009)

This document provides the network architecture model (NAM) for the ultra mobile broadband (UMB) system. The NAM supports the requirements in [1] and the Phase II requirements in [2].

	Document No.	Version	Status	Issued date	Location
TTA	TTAT.3G-S.R0124-0v2.0	2.0	Published	29-01-2010	http://www.tta.or.kr/data/ttasDown.jsp?where=14688&pk_num=TTAT.3G-S.R0124-0 v2.0

10.4.90 S.R0125-000-0 version 1.0 VoIP supplementary services: feature descriptions (April 2008)

This document outlines standard operational procedures for a number of features. The particular features included were selected with the following considerations in mind:

The features are restricted to those that afford the user an acceptable degree of control over common call situations. No attempt is made to "standardize" all of the features that are, may be, or could be made available in the wireless industry. The objective is to provide users with reasonable comfort and familiarity as they move between systems, while not infringing on the manufacturers and service providers to compete by means of non-standard offerings.

	Document No.	Version	Status	Issued date	Location
CCSA	CCSA-TSD-MC-S.R0125-000-0 v1.0	1.0	Published	-12-2009	http://www.ccsa.org.cn/english/files.php?docpath=/ITU-T/Q.1742//Q.1742.8
TIA	TIA-1126.000		Published	-07-2008	http://www.tiaonline.org/standards/catalog/index.cfm
TTA	TTAT.3G-S.R0125-000-0v1.0	1.0	Published	29-01-2010	http://www.tta.or.kr/data/ttasDown.jsp?where=14688&pk_num=TTAT.3G-S.R0125-000-0 v1.0
TTC	TS-3GB-S.R0125-000-0v1.0	1.0	Published	12-06-2008	http://www.ttc.or.jp/j/document_list/free/TS/TS-3GB-S.R0125-000-0v1.0.pdf

10.4.90.1 S.R0125-502-0 version 1.0 VoIP supplementary services descriptions: call forwarding-busy (April 2008)

Call forwarding-busy (CFB) permits a called subscriber to have the system send incoming calls addressed to the called subscriber's public identity to another public identity (forward-to identity) or to the called subscriber's designated message box, when the subscriber is considered to be busy.

	Document No.	Version	Status	Issued date	Location
CCSA	CCSA-TSD-MC-S.R0125-502-0 v1.0	1.0	Published	-12-2009	http://www.ccsa.org.cn/english/files.php?docpath=/ITU-T/Q.1742//Q.1742.8
TIA	TIA-1126.502		Published	-07-2008	http://www.tiaonline.org/standards/catalog/index.cfm
TTA	TTAT.3G-S.R0125-502-0v1.0	1.0	Published	29-01-2010	http://www.tta.or.kr/data/ttasDown.jsp?where=14688&pk_num=TTAT.3G-S.R0125-502-0 v1.0
TTC	TS-3GB-S.R0125-502-0v1.0	1.0	Published	12-06-2008	http://www.ttc.or.jp/j/document_list/free/TS/TS-3GB-S.R0125-502-0v1.0.pdf

10.4.90.2 S.R0125-503-0 version 1.0 VoIP supplementary services descriptions: call forwarding-default (April 2008)

Call forwarding-default (CFD) permits a called subscriber to send incoming calls addressed to the called subscriber's identity to the subscriber's designated voice mailbox or to another identity (forward-to identity) when the subscriber is engaged in a call (and CFB is not enabled); does not answer the call within a specified period after being alerted (and CFNA is not enabled); or is otherwise inaccessible (including no paging response, the subscriber's location is not known, the subscriber is reported as inactive, etc.). CFD does not impact a subscriber's ability to originate calls.

	Document No.	Version	Status	Issued date	Location
CCSA	CCSA-TSD-MC-S.R0125-503-0 v1.0.	1.0	Published	-12-2009	http://www.ccsa.org.cn/english/files.php?docpath=/ITU-T/Q.1742//Q.1742.8
TIA	TIA-1126.503		Published	-07-2008	http://www.tiaonline.org/standards/catalog/index.cfm
TTA	TTAT.3G-S.R0125-503-0v1.0	1.0	Published	29-01-2010	http://www.tta.or.kr/data/ttasDown.jsp?where=14688&pk_num=TTAT.3G-S.R0125-503-0 v1.0
TTC	TS-3GB-S.R0125-503-0v1.0	1.0	Published	12-06-2008	http://www.ttc.or.jp/j/document_list/free/TS/TS-3GB-S.R0125-503-0v1.0.pdf

10.4.90.3 S.R0125-504-0 version 1.0 VoIP supplementary services descriptions: call forwarding-no answer (April 2008)

Call forwarding-no answer (CFNA) permits a called subscriber to have the system send incoming calls addressed to the called subscriber's public identity to another public identity (forward-to identity) or to the called subscriber's designated voice mailbox, when the subscriber fails to answer, or is otherwise inaccessible. CFNA does not apply when the subscriber is considered to be busy.

	Document No.	Version	Status	Issued date	Location
CCSA	CCSA-TSD-MC-S.R0125-504-0 1.0	1.0	Published	-12-2009	http://www.ccsa.org.cn/english/files.php?docpath=/ITU-T/Q.1742//Q.1742.8
TIA	TIA-1126.504		Published	-07-2008	http://www.tiaonline.org/standards/catalog/index.cfm
TTA	TTAT.3G-S.R0125-504-0v1.0	1.0	Published	29-01-2010	http://www.tta.or.kr/data/ttasDown.jsp?where=14688&pk_num=TTAT.3G-S.R0125-504-0 v1.0
TTC	TS-3GB-S.R0125-504-0v1.0	1.0	Published	12-06-2008	http://www.ttc.or.jp/j/document_list/free/TS/TS-3GB-S.R0125-504-0v1.0.pdf

10.4.90.4 S.R0125-505-0 version 1.0 VoIP supplementary services descriptions: call forwarding-unconditional (April 2008)

Call forwarding-unconditional (CFU) permits a called subscriber to send incoming calls addressed to the called subscriber's public identity to another public identity (forward-to identity) or to the called subscriber's designated voice mailbox. If this feature is active, calls are forwarded regardless of the condition of the termination.

	Document No.	Version	Status	Issued date	Location
CCSA	CCSA-TSD-MC-S.R0125-505-0v1.0	1.0	Published	-12-2009	http://www.ccsa.org.cn/english/files.php?docpath=/ITU-T/Q.1742//Q.1742.8
TIA	TIA-1126.505		Published	-07-2008	http://www.tiaonline.org/standards/catalog/index.cfm
TTA	TTAT.3G-S.R0125-505-0v1.0	1.0	Published	29-01-2010	http://www.tta.or.kr/data/ttasDown.jsp?where=14688&pk_num=TTAT.3G-S.R0125-505-0 v1.0
TTC	TS-3GB-S.R0125-505-0v1.0	1.0	Published	12-06-2008	http://www.ttc.or.jp/j/document_list/free/TS/TS-3GB-S.R0125-505-0v1.0.pdf

10.4.90.5 S.R0125-506-0 version 1.0 VoIP supplementary services descriptions: call transfer (April 2008)

Call transfer (CT) enables the subscriber to transfer an in-progress established call to a third party. The call to be transferred may be an incoming or an outgoing call.

	Document No.	Version	Status	Issued date	Location
CCSA	CCSA-TSD-MC-S.R0125-506-0 v1.0	1.0	Published	-12-2009	http://www.ccsa.org.cn/english/files.php?docpath=/ITU-T/Q.1742//Q.1742.8
TIA	TIA-1126.506		Published	-07-2008	http://www.tiaonline.org/standards/catalog/index.cfm
TTA	TTAT.3G-S.R0125-506-0v1.0	1.0	Published	29-01-2010	http://www.tta.or.kr/data/ttasDown.jsp?where=14688&pk_num=TTAT.3G-S.R0125-506-0 v1.0
TTC	TS-3GB-S.R0125-506-0v1.0	1.0	Published	12-06-2008	http://www.ttc.or.jp/j/document_list/free/TS/TS-3GB-S.R0125-506-0v1.0.pdf

10.4.90.6 S.R0125-507-0 version 1.0 VoIP supplementary services descriptions: call waiting (April 2008)

Call waiting (CW) provides notification to a controlling subscriber of an incoming call while the subscriber is in another call. Subsequently, the controlling subscriber can either answer or ignore the incoming call. If the controlling subscriber answers the incoming call, he/she may alternate between calls.

	Document No.	Version	Status	Issued date	Location
CCSA	CCSA-TSD-MC-S.R0125-507-0 v1.0	1.0	Published	-12-2009	http://www.ccsa.org.cn/english/files.php?docpath=/ITU-T/Q.1742//Q.1742.8
TIA	TIA-1126.507		Published	-07-2008	http://www.tiaonline.org/standards/catalog/index.cfm
TTA	TTAT.3G-S.R0125-507-0v1.0	1.0	Published	29-01-2010	http://www.tta.or.kr/data/ttasDown.jsp?where=14688&pk_num=TTAT.3G-S.R0125-507-0 v1.0
TTC	TS-3GB-S.R0125-507-0v1.0	1.0	Published	12-06-2008	http://www.ttc.or.jp/j/document_list/free/TS/TS-3GB-S.R0125-507-0v1.0.pdf

10.4.90.7 S.R0125-508-0 version 1.0 VoIP supplementary services descriptions: call identification presentation (April 2008)

Calling identification presentation (CIP) provides the identification of the calling party to the called subscriber. One or more identities may be presented to identify the calling party.

	Document No.	Version	Status	Issued date	Location
CCSA	CCSA-TSD-MC-S.R0125-508-0 v1.0	1.0	Published	-12-2009	http://www.ccsa.org.cn/english/files.php?docpath=/ITU-T/Q.1742//Q.1742.8
TIA	TIA-1126.508		Published	-07-2008	http://www.tiaonline.org/standards/catalog/index.cfm
TTA	TTAT.3G-S.R0125-508-0v1.0	1.0	Published	29-01-2010	http://www.tta.or.kr/data/ttasDown.jsp?where=14688&pk_num=TTAT.3G-S.R0125-508-0 v1.0
TTC	TS-3GB-S.R0125-508-0v1.0	1.0	Published	12-06-2008	http://www.ttc.or.jp/j/document_list/free/TS/TS-3GB-S.R0125-508-0v1.0.pdf

10.4.90.8 S.R0125-509-0 version 1.0 VoIP supplementary services descriptions: call identification restriction (April 2008)

Calling identification restriction (CIR) restricts presentation of that subscriber's calling identification (CI) to the called party. The terminating network may receive the calling identification (CI) as part of basic call setup. This CI may include one or more calling party identities and redirecting identities.

	Document No.	Version	Status	Issued date	Location
CCSA	CCSA-TSD-MC-S.R0125-509-0 v1.0	1.0	Published	-12-2009	http://www.ccsa.org.cn/english/files.php?docpath=/ITU-T/Q.1742//Q.1742.8
TIA	TIA-1126.509		Published	-07-2008	http://www.tiaonline.org/standards/catalog/index.cfm
TTA	TTAT.3G-S.R0125-509-0v1.0	1.0	Published	29-01-2010	http://www.tta.or.kr/data/ttasDown.jsp?where=14688&pk_num=TTAT.3G-S.R0125-509-0 v1.0
TTC	TS-3GB-S.R0125-509-0v1.0	1.0	Published	12-06-2008	http://www.ttc.or.jp/i/document_list/free/TS/TS-3GB-S.R0125-509-0v1.0.pdf

10.4.90.9 S.R0125-512-0 version 1.0 VoIP supplementary services descriptions: flexible alerting (April 2008)

Flexible alerting (FA) causes a call to a pilot identity to branch the call into several legs to alert several termination addresses (group members) simultaneously. The UEs in the group may be alerted using FA-distinct alerting. Additional calls may be delivered to the FA pilot identity at any time. The first leg to be answered is connected to the calling party. The other call legs are abandoned.

	Document No.	Version	Status	Issued date	Location
CCSA	CCSA-TSD-MC-S.R0125-512-0 v1.0	1.0	Published	-12-2009	http://www.ccsa.org.cn/english/files.php?docpath=/ITU-T/Q.1742//Q.1742.8
TIA	TIA-1126.512		Published	-07-2008	http://www.tiaonline.org/standards/catalog/index.cfm
TTA	TTAT.3G-S.R0125-512-0v1.0	1.0	Published	29-01-2010	http://www.tta.or.kr/data/ttasDown.jsp?where=14688&pk_num=TTAT.3G-S.R0125-512-0 v1.0
TTC	TS-3GB-S.R0125-512-0v1.0	1.0	Published	12-06-2008	http://www.ttc.or.jp/i/document_list/free/TS/TS-3GB-S.R0125-512-0v1.0.pdf

10.4.90.10 S.R0125-513-0 version 1.0 VoIP supplementary services descriptions: message waiting indication (April 2008)

Message waiting indication (MWI) informs enrolled subscribers when a voice mail message is available for retrieval.

	Document No.	Version	Status	Issued date	Location
CCSA	CCSA-TSD-MC-S.R0125-513-0 v1.0	1.0	Published	-12-2009	http://www.ccsa.org.cn/english/files.php?docpath=/ITU-T/Q.1742//Q.1742.8
TIA	TIA-1126.513		Published	-07-2008	http://www.tiaonline.org/standards/catalog/index.cfm
TTA	TTAT.3G-S.R0125-513-0v1.0	1.0	Published	29-01-2010	http://www.tta.or.kr/data/ttasDown.jsp?where=14688&pk_num=TTAT.3G-S.R0125-513-0 v1.0
TTC	TS-3GB-S.R0125-513-0v1.0	1.0	Published	12-06-2008	http://www.ttc.or.jp/i/document_list/free/TS/TS-3GB-S.R0125-513-0v1.0.pdf

10.4.90.11 S.R0125-522-0 version 1.0 VoIP supplementary services descriptions: three-way calling (April 2008)

The three-way calling (3WC) provides the subscriber the capability of adding a third party to an established two-party call, so that all three parties may communicate in a three-way call. If either of the two non-controlling parties to an established three-way call disconnects, the remaining parties remain connected as in a normal two-party call. If the controlling subscriber of a three-way call disconnects, all other parties are released.

	Document No.	Version	Status	Issued date	Location
CCSA	CCSA-TSD-MC-S.R0125-522-0 v1.0	1.0	Published	-12-2009	http://www.ccsa.org.cn/english/files.php?docpath=/ITU-T/Q.1742//Q.1742.8
TIA	TIA-1126.522		Published	-07-2008	http://www.tiaonline.org/standards/catalog/index.cfm
TTA	TTAT.3G-S.R0125-522-0v1.0	1.0	Published	29-01-2010	http://www.tta.or.kr/data/ttasDown.jsp?where=14688&pk_num=TTAT.3G-S.R0125-522-0 v1.0
TTC	TS-3GB-S.R0125-522-0v1.0	1.0	Published	12-06-2008	http://www.ttc.or.jp/j/document_list/free/TS/TS-3GB-S.R0125-522-0v1.0.pdf

10.4.90.12 S.R0125-551-0 version 1.0 VoIP supplementary services descriptions: abbreviated dialing/short code dialing (April 2008)

The three-way calling (3WC) provides the subscriber the capability of adding a third party to an established two-party call, so that all three parties may communicate in a three-way call. If either of the two non-controlling parties to an established three-way call disconnects, the remaining parties remain connected as in a normal two-party call. If the controlling subscriber of a three-way call disconnects, all other parties are released.

	Document No.	Version	Status	Issued date	Location
CCSA	CCSA-TSD-MC-S.R0125-551-0 v1.0	1.0	Published	-12-2009	http://www.ccsa.org.cn/english/files.php?docpath=/ITU-T/Q.1742//Q.1742.8
TIA	TIA-1126.551		Published	-07-2008	http://www.tiaonline.org/standards/catalog/index.cfm
TTA	TTAT.3G-S.R0125-551-0v1.0	1.0	Published	29-01-2010	http://www.tta.or.kr/data/ttasDown.jsp?where=14688&pk_num=TTAT.3G-S.R0125-551-0 v1.0
TTC	TS-3GB-S.R0125-551-0v1.0	1.0	Published	12-06-2008	http://www.ttc.or.jp/j/document_list/free/TS/TS-3GB-S.R0125-551-0v1.0.pdf

10.4.90.13 S.R0125-552-0 version 1.0 VoIP supplementary services descriptions: call hold (April 2008)

Call hold (HOLD) allows the controlling subscriber in an active call to temporarily suspend media transmission and reception with the other party. The session is not torn down, and can be later re-activated by resuming media transmission. Meanwhile, the controlling subscriber can attend to a different task, such as responding to an incoming call that is waiting, or initiating another call. More than one call may be placed on hold.

	Document No.	Version	Status	Issued date	Location
CCSA	CCSA-TSD-MC-S.R0125-552-0 v1.0	1.0	Published	-12-2009	http://www.ccsa.org.cn/english/files.php?docpath=/ITU-T/Q.1742//Q.1742.8
TIA	TIA-1126.552		Published	-07-2008	http://www.tiaonline.org/standards/catalog/index.cfm
TTA	TTAT.3G-S.R0125-552-0v1.0	1.0	Published	29-01-2010	http://www.tta.or.kr/data/ttasDown.jsp?where=14688&pk_num=TTAT.3G-S.R0125-552-0 v1.0
TTC	TS-3GB-S.R0125-552-0v1.0	1.0	Published	12-06-2008	http://www.ttc.or.jp/j/document_list/free/TS/TS-3GB-S.R0125-552-0v1.0.pdf

10.4.90.14 S.R0125-553-0 version 1.0 VoIP supplementary services descriptions: customized ring back tone (April 2008)

Customized ring back tone service allows a user to customize the ring back tone which is played to the calling party.

	Document No.	Version	Status	Issued date	Location
CCSA	CCSA-TSD-MC-S.R0125-553-0 v1.0	1.0	Published	-12-2009	http://www.ccsa.org.cn/english/files.php?docpath=/ITU-T/Q.1742//Q.1742.8
TIA	TIA-1126.553		Published	-07-2008	http://www.tiaonline.org/standards/catalog/index.cfm
TTA	TTAT.3G-S.R0125-553-0v1.0	1.0	Published	29-01-2010	http://www.tta.or.kr/data/ttasDown.jsp?where=14688&pk_num=TTAT.3G-S.R0125-553-0 v1.0
TTC	TS-3GB-S.R0125-553-0v1.0	1.0	Published	12-06-2008	http://www.ttc.or.jp/j/document_list/free/TS/TS-3GB-S.R0125-553-0v1.0.pdf

10.4.90.15 S.R0125-554-0 version 1.0 VoIP supplementary services descriptions: directory assistance (April 2008)

Directory assistance service allows a user to call directory assistance to interact with the attendant, obtain the desired destination address, and have the call connected to the desired destination with assistance from the attendant.

	Document No.	Version	Status	Issued date	Location
CCSA	CCSA-TSD-MC-S.R0125-554-0 v1.0.	1.0	Published	-12-2009	http://www.ccsa.org.cn/english/files.php?docpath=/ITU-T/Q.1742//Q.1742.8
TIA	TIA-1126.554		Published	-07-2008	http://www.tiaonline.org/standards/catalog/index.cfm
TTA	TTAT.3G-S.R0125-554-0v1.0	1.0	Published	29-01-2010	http://www.tta.or.kr/data/ttasDown.jsp?where=14688&pk_num=TTAT.3G-S.R0125-554-0 v1.0
TTC	TS-3GB-S.R0125-554-0v1.0	1.0	Published	12-06-2008	http://www.ttc.or.jp/j/document_list/free/TS/TS-3GB-S.R0125-554-0v1.0.pdf

10.4.90.16 S.R0125-555-0 version 1.0 VoIP supplementary services descriptions: inbound call restriction / anonymous call rejection (April 2008)

Inbound call restriction (ICR) is a call screening service that allows a subscriber to receive incoming calls only from parties whose calling identities are either in a list of specified identities or not in a list of specified identities. Calls restricted by the list shall be given call refusal treatment while ICR is active.

	Document No.	Version	Status	Issued date	Location
CCSA	CCSA-TSD-MC-S.R0125-555-0 v1.0	1.0	Published	-12-2009	http://www.ccsa.org.cn/english/files.php?docpath=/ITU-T/Q.1742//Q.1742.8
TIA	TIA-1126.555		Published	-07-2008	http://www.tiaonline.org/standards/catalog/index.cfm
TTA	TTAT.3G-S.R0125-555-0v1.0	1.0	Published	29-01-2010	http://www.tta.or.kr/data/ttasDown.jsp?where=14688&pk_num=TTAT.3G-S.R0125-555-0 v1.0
TTC	TS-3GB-S.R0125-555-0v1.0	1.0	Published	12-06-2008	http://www.ttc.or.jp/j/document_list/free/TS/TS-3GB-S.R0125-555-0v1.0.pdf

10.4.90.17 S.R0125-556-0 version 1.0 VoIP supplementary services descriptions: outbound call restriction (April 2008)

Outbound call restriction allows network to restrict the type of calls that a user is allowed to originate. Examples of such restrictions include: local call only; selected leading digits of directory number only; national long distance calls; international calls; calls to certain destinations (e.g., hot line); toll free calls; calls to certain domains only or exclusion of calls to certain domains.

	Document No.	Version	Status	Issued date	Location
CCSA	CCSA-TSD-MC-S.R0125-556-0 v1.0	1.0	Published	-12-2009	http://www.ccsa.org.cn/english/files.php?docpath=/ITU-T/Q.1742//Q.1742.8
TIA	TIA-1126.556		Published	-07-2008	http://www.tiaonline.org/standards/catalog/index.cfm
TTA	TTAT.3G-S.R0125-556-0v1.0	1.0	Published	29-01-2010	http://www.tta.or.kr/data/ttasDown.jsp?where=14688&pk_num=TTAT.3G-S.R0125-556-0 v1.0
TTC	TS-3GB-S.R0125-556-0v1.0	1.0	Published	12-06-2008	http://www.ttc.or.jp/i/document_list/free/TS/TS-3GB-S.R0125-556-0v1.0.pdf

10.4.90.18 S.R0125-558-0 version 1.0 VoIP supplementary services descriptions: terminating identification presentation (April 2008)

Termination identification presentation (TIP) provides the identification of the called party and of the forwarded-to parties (if any) to the calling subscriber. Any form of public identity may be presented to identify the called party.

	Document No.	Version	Status	Issued date	Location
CCSA	CCSA-TSD-MC-S.R0125-558-0 v1.0	1.0	Published	-12-2009	http://www.ccsa.org.cn/english/files.php?docpath=/ITU-T/Q.1742//Q.1742.8
TIA	TIA-1126.558		Published	-07-2008	http://www.tiaonline.org/standards/catalog/index.cfm
TTA	TTAT.3G-S.R0125-558-0v1.0	1.0	Published	29-01-2010	http://www.tta.or.kr/data/ttasDown.jsp?where=14688&pk_num=TTAT.3G-S.R0125-558-0 v1.0
TTC	TS-3GB-S.R0125-558-0v1.0	1.0	Published	12-06-2008	http://www.ttc.or.jp/i/document_list/free/TS/TS-3GB-S.R0125-558-0v1.0.pdf

10.4.90.19 S.R0125-559-0 version 1.0 VoIP supplementary services descriptions: terminating identification restriction (April 2008)

Terminating identification restriction (TIR) restricts presentation of the terminating identification (TI) to the calling party.

	Document No.	Version	Status	Issued date	Location
CCSA	CCSA-TSD-MC-S.R0125-559-0 v1.0	1.0	Published	-12-2009	http://www.ccsa.org.cn/english/files.php?docpath=/ITU-T/Q.1742//Q.1742.8
TIA	TIA-1126.559		Published	-07-2008	http://www.tiaonline.org/standards/catalog/index.cfm
TTA	TTAT.3G-S.R0125-559-0v1.0	1.0	Published	29-01-2010	http://www.tta.or.kr/data/ttasDown.jsp?where=14688&pk_num=TTAT.3G-S.R0125-559-0 v1.0
TTC	TS-3GB-S.R0125-559-0v1.0	1.0	Published	12-06-2008	http://www.ttc.or.jp/i/document_list/free/TS/TS-3GB-S.R0125-559-0v1.0.pdf

10.4.90.20 S.R0125-562-0 version 1.0 VoIP supplementary services descriptions: voice message retrieval (April 2008)

Terminating identification restriction (TIR) restricts presentation of the terminating identification (TI) to the calling party.

	Document No.	Version	Status	Issued date	Location
CCSA	CCSA-TSD-MC-S.R0125-562-0 v1.0	1.0	Published	-12-2009	http://www.ccsa.org.cn/english/files.php?docpath=/ITU-T/Q.1742//Q.1742.8
TIA	TIA-1126.562		Published	-07-2008	http://www.tiaonline.org/standards/catalog/index.cfm
TTA	TTAT.3G-S.R0125-562-0v1.0	1.0	Published	29-01-2010	http://www.tta.or.kr/data/ttasDown.jsp?where=14688&pk_num=TTAT.3G-S.R0125-562-0 v1.0
TTC	TS-3GB-S.R0125-562-0v1.0	1.0	Published	12-06-2008	http://www.ttc.or.jp/j/document_list/free/TS/TS-3GB-S.R0125-562-0v1.0.pdf

10.4.91 S.R0126-0 version 1.0 system requirements for femto cell systems (May 2008)

This document specifies the requirements for and operations of femto cells within cdma2001 networks from the perspective of the user(s) and/or the system operator.

	Document No.	Version	Status	Issued date	Location
CCSA	CCSA-TSD-MC-S.R0126-0 v1.0	1.0	Published	-12-2009	http://www.ccsa.org.cn/english/files.php?docpath=/ITU-T/Q.1742//Q.1742.8
TTA	TTAT.3G-S.R0126-0v1.0	1.0	Published	29-01-2010	http://www.tta.or.kr/data/ttasDown.jsp?where=14688&pk_num=TTAT.3G-S.R0126-0 v1.0
TTC	TS-3GB-S.R0126-0v1.0	1.0	Published	05-09-2008	http://www.ttc.or.jp/j/document_list/free/TS/TS-3GB-S.R0126-0v1.0.pdf

10.4.92 S.R0127-0 version 1.0 CAVE based IMS security (June 2008)

IP multimedia subsystem (IMS) security is defined for cdma2000 networks in [3]. This document [3] defines how the SIP signaling is protected between the user equipment (UE) and the proxy call session control function (P-CSCF), how the subscriber is authenticated and how the subscriber authenticates the IMS using AKA authentication credentials present at the UE.

	Document No.	Version	Status	Issued date	Location
TTC	TS-3GB-S.R0127-0v1.0	1.0	Published	05-09-2008	http://www.ttc.or.jp/j/document_list/free/TS/TS-3GB-S.R0127-0v1.0.pdf

10.4.93 S.R0128-0 version 1.0 HRPD and WiMAX inter-technology handoff – stage 1 requirements (January 2008)

This document specifies the requirements for Interworking and inter-technology handoff between 3GPP2 high rate packet data (HRPD) and worldwide interoperability for microwave access (WiMAX) systems.

	Document No.	Version	Status	Issued date	Location
CCSA	CCSA-TSD-MC-S.R0128-0 v1.0	1.0	Published	-12-2009	http://www.ccsa.org.cn/english/files.php?docpath=/ITU-T/Q.1742//Q.1742.8
TTA	TTAT.3G-S.R0128-0v1.0	1.0	Published	29-01-2010	http://www.tta.or.kr/data/ttasDown.jsp?where=14688&pk_num=TTAT.3G-S.R0128-0 v1.0
TTC	TS-3GB-S.R0128-0v1.0	1.0	Published	07-03-2008	http://www.ttc.or.jp/j/document_list/free/TS/TS-3GB-S.R0128-0v1.0.pdf

10.4.94 S.R0129-0 version 1.0 HRPD/1xRTT and 3GPP E-UTRAN (LTE) interworking and inter-technology – stage 1 requirements (January 2008)

This document specifies the requirements for interworking and inter-technology handoff between 3GPP2 high rate packet data (HRPD) [2,3] / cdma2000®² 1x radio transmission technology (1xRTT) [1] and 3GPP evolved universal terrestrial radio access (E-UTRA) [4, 5] (also known as long term evolution (LTE)) systems.

	Document No.	Version	Status	Issued date	Location
CCSA	CCSA-TSD-MC-S.R0129-0 v1.0	1.0	Published	-12-2009	http://www.ccsa.org.cn/english/files.php?docpath=/ITU-T/Q.1742//Q.1742.8
TTA	TTAT.3G-S.R0129-0v1.0	1.0	Published	29-01-2010	http://www.tta.or.kr/data/ttasDown.jsp?w here=14688&pk_num=TTAT.3G-S.R0129-0 v1.0
TTC	TS-3GB-S.R0129-0v1.0	1.0	Published	07-03-2008	http://www.ttc.or.jp/j/document_list/free/TS/TS-3GB-S.R0129-0v1.0.pdf

10.4.94.1 S.R0129-A version 1.0 HRPD/1xRTT and 3GPP E-UTRAN (LTE) interworking and inter-technology – stage 1 requirements (December 2009)

This document specifies the requirements for interworking and inter-technology handoff between 3GPP2 high rate packet data (HRPD) [2, 3] / cdma2000®² 1x radio transmission technology (1xRTT) [1] and 3GPP evolved universal terrestrial radio access (E-UTRA) [4, 5] (also known as long term evolution (LTE)) systems.

	Document No.	Version	Status	Issued date	Location
CCSA	CCSA-TSD-MC-S.R0129-A v1.0	1.0	Published	-12-2009	http://www.ccsa.org.cn/english/files.php?docpath=/ITU-T/Q.1742//Q.1742.8
TTA	TTAT.3G-S.R0129-A v1.0	1.0	Published	29-01-2010	http://www.tta.or.kr/data/ttasDown.jsp?w here=14688&pk_num=TTAT.3G-S.R0129-A v1.0
TTC	TS-3GB-S.R0129-A v1.0	1.0	Published	15-07-2009	http://www.ttc.or.jp/j/document_list/free/TS/TS-3GB-S.R0129-Av1.0.pdf

10.4.95 S.R0130-0 version 1.0 interworking and inter-technology handoff for UMB and UTRA/E-UTRA technologies – stage 1 requirement (February 2008)

This document specifies the requirements for interworking and inter-technology handoffs between 3GPP2 ultra mobile broadband (UMB) and access technologies supported on UTRAN (e.g., WCDMA) and EUTRAN (e.g., LTE).

	Document No.	Version	Status	Issued date	Location
CCSA	CCSA-TSD-MC-S.R0130-0 v1	1.0	Published	-12-2009	http://www.ccsa.org.cn/english/files.php?docpath=/ITU-T/Q.1742//Q.1742.8
TTA	TTAT.3G-S.R0130-0v1.0	1.0	Published	29-01-2010	http://www.tta.or.kr/data/ttasDown.jsp?w here=14688&pk_num=TTAT.3G-S.R0130-0 v1.0
TTC	TS-3GB-S.R0130-0v1.0	1.0	Published	12-06-2008	http://www.ttc.or.jp/j/document_list/free/TS/TS-3GB-S.R0130-0v1.0.pdf

10.4.96 S.R0131-0 version 1.0 IMS centralized services – stage 1 requirement (June 2008)

This document provides service requirements for IP multimedia subsystem (IMS) centralized services (ICS). ICS enables the delivery of IMS-based services to users regardless of the attached access network type, e.g., CS domain access (1xRTT) or IP-based (HRPD or WLAN) access.

Service continuity between access networks is addressed. Service scenarios are described. Requirements are identified from both user and service provider perspectives.

	Document No.	Version	Status	Issued date	Location
CCSA	CCSA-TSD-MC-S.R0131-0 v1.0	1.0	Published	-12-2009	http://www.ccsa.org.cn/english/files.php?docpath=/ITU-T/Q.1742//Q.1742.8
TTA	TTAT.3G-S.R0131-0v1.0	1.0	Published	29-01-2010	http://www.tta.or.kr/data/ttasDown.jsp?w here=14688&pk_num=TTAT.3G-S.R0131-0 v1.0
TTC	TS-3GB-S.R0131-0v1.0	1.0	Published	05-09-2008	http://www.ttc.or.jp/j/document_list/free/TS/TS-3GB-S.R0131-0v1.0.pdf

10.4.97 S.R0134-0 version 1.0 evolution of ultra mobile broadband – system requirements (February 2009)

This system requirements document (SRD) aims to outline the requirements to strengthen and broaden the capabilities of radio transmission technologies and associated network capabilities and services of ultra mobile broadband.

	Document No.	Version	Status	Issued date	Location
CCSA	CCSA-TSD-MC-S.R0134-0 v1.0	1.0	Published	-12-2009	http://www.ccsa.org.cn/english/files.php?docpath=/ITU-T/Q.1742//Q.1742.8
TTA	TTAT.3G-S.R0134-0v1.0	1.0	Published	29-01-2010	http://www.tta.or.kr/data/ttasDown.jsp?w here=14688&pk_num=TTAT.3G-S.R0134-0 v1.0
TTC	TS-3GB-S.R0134-0v1.0	1.0	Published	15-07-2009	http://www.ttc.or.jp/j/document_list/free/TS/TS-3GB-S.R0134-0v1.0.pdf

10.4.98 S.R0136-0 version 1.0 system requirements for MSC pool (October 2008)

This document specifies the requirements necessary to support MSC pool in the CDMA2000 wireless network. MSC pool enables signaling connections between one base station controller (BSC) with multiple MSCs, so the MS served by any BSC of that pool area can be served by any MSC in that pool area. MSC pool is built upon to the legacy mobile station domain architecture.

	Document No.	Version	Status	Issued date	Location
CCSA	CCSA-TSD-MC-S.R0136-0 v1.0	1.0	Published	-12-2009	http://www.ccsa.org.cn/english/files.php?docpath=/ITU-T/Q.1742//Q.1742.8
TTA	TTAT.3G-S.R0136-0v1.0	1.0	Published	29-01-2010	http://www.tta.or.kr/data/ttasDown.jsp?w here=14688&pk_num=TTAT.3G-S.R0136-0 v1.0
TTC	TS-3GB-S.R0136-0v1.0	1.0	Published	06-03-2009	http://www.ttc.or.jp/j/document_list/free/TS/TS-3GB-S.R0136-0v1.0.pdf

10.4.99 S.R0137-0 version 1.0 common IMS impacts to 3GPP2 specifications (December 2008)

This document identifies the MMD network entities and interfaces that are covered by the documents in the first phase of common IMS. Future enhancements to these entities and interfaces, as they pertain to the transferred documents, will be made in 3GPP rather than 3GPP2. Additional enhancements may continue to be made in 3GPP2 as needed.

	Document No.	Version	Status	Issued date	Location
CCSA	CCSA-TSD-MC-S.R0137-0 v1.0	1.0	Published	-12-2009	http://www.ccsa.org.cn/english/files.php?docpath=/ITU-T/Q.1742//Q.1742.8
TTA	TTAT.3G-S.R0137-0v1.0	1.0	Published	29-01-2010	http://www.tta.or.kr/data/ttasDown.jsp?where=14688&pk_num=TTAT.3G-S.R0137-0 v1.0
TTC	TS-3GB-S.R0137-0v1.0	1.0	Published	06-03-2009	http://www.ttc.or.jp/j/document_list/free/TS/TS-3GB-S.R0137-0v1.0.pdf

10.4.100 S.R0138-0 version 1.0 eHRPD security frameworks (May 2009)

This document describes security mechanisms in eHRPD.

	Document No.	Version	Status	Issued date	Location
TTA	TTAT.3G-S.R0138-0v1.0	1.0	Published	29-01-2010	http://www.tta.or.kr/data/ttasDown.jsp?where=14688&pk_num=TTAT.3G-S.R0138-0 v1.0

10.4.101 SC.R1003-0 version 1.0 work item, stage 1 and system requirements process guidelines (16 May 2002)

3GPP2 document is renamed as SC.R1003-0, version 1.0. This document is to provide uniform procedures and guidance for the development, completion, distribution and approval of work items, stage 1 and system requirements across all TSGs.

	Document No.	Version	Status	Issued date	Location
CCSA	CCSA-SC.R1003-0 v1.0	1.0	Published	31-01-2007	http://www.ccsa.org.cn/english/tc/files.php?docpath=/ITU-T/Q.1742
TTC	TS-3GB-SC.R1003-0v1.0	1.0	Published	30-11-2004	http://www.ttc.or.jp/imt2000/ts/tsscr1003-0v1.0.pdf

10.4.102 SC.R2001-001 version 1.0 3GPP2 system capability guide release A (20 January 2000)

This document is the 3GPP2 system capability guide (SCG) for 3GPP2 wireless telecommunication systems. It is developed and maintained under the auspices of 3GPP2 TSG-S, the TSG for services and systems aspects for 3GPP2.

	Document No.	Version	Status	Issued date	Location
CCSA	CCSA-SC.R2001-001 v1.0	1.0	Published	31-01-2007	http://www.ccsa.org.cn/english/tc/files.php?docpath=/ITU-T/Q.1742
TTA	TTAT.3G-SC.R2001-001 v1.0	1.0	Published	15-02-2007	http://www.tta.or.kr/standardDB/stnfile/TTAT.3G-SC.R2001-001 v1.0.zip

10.4.103 SC.R2002-001 version 1.0 3GPP2 system capability guide release B (14 June 2001)

This document is the 3GPP2 system capability guide (SCG) for 3GPP2 wireless telecommunication systems. It is developed and maintained under the auspices of 3GPP2 TSG-S, the TSG for services and systems aspects for 3GPP2.

	Document No.	Version	Status	Issued date	Location
CCSA	CCSA-SC.R2002-001 v1.0	1.0	Published	31-01-2007	http://www.ccsa.org.cn/english/tc/files.php?docpath=/ITU-T/Q.1742
TTA	TTAT.3G-SC.R2002-001 v1.0	1.0	Published	15-02-2007	http://www.tta.or.kr/standardDB/stnfile/TTAT.3G-SC.R2002-001 v1.0.zip

10.4.104 SC.R2003-002 version 1.0 system release guide for the release (ALPHA) of the cdma2000 system specifications (15 January 2004)

3GPP2 document is renamed as document SC.R2003-002-0, version 1.0. This document is the system release guide (SRG) for the 3GPP2 wireless telecommunication system. It is developed and maintained under the auspices of 3GPP2 TSG-S, the TSG for services and systems aspects for 3GPP2. The objective of this document is to provide an informative overview for and reference to the release (ALPHA) of the 3GPP2 wireless telecommunication system (cdma2000) capabilities, features and services.

	Document No.	Version	Status	Issued date	Location
CCSA	CCSA-SC.R2003-002 v1.0	1.0	Published	31-01-2007	http://www.ccsa.org.cn/english/tc/files.php?docpath=/ITU-T/Q.1742
TTA	TTAT.3G-SC.R2003-002 v1.0	1.0	Published	15-02-2007	http://www.tta.or.kr/standardDB/stnfile/TTAT.3G-SC.R2003-002 v1.0.zip
TTC	TS-3GB-SC.R2003-002-0v1.0	1.0	Published	08-25-2006	http://www.ttc.or.jp/imt2000/ts/tsscr2003-002-0v1.0.pdf

10.5 Core network specifications

10.5.1 X.S0001-A version 1.0 MAP enhancements for CDMA packet data services (C-PDS) (April 2004)

This document presents a recommended plan for the implementation of location services enhancements for use in the wireless radiotelephone service. The purpose of this document is to specify the intersystem operations that enable a wireless system to provide enhanced location services.

	Document No.	Version	Status	Issued date	Location
CCSA	CCSA-TSD-MC-X.S0001-A v1.0	1.0	Published	25-11-2007	http://www.ccsa.org.cn/english/tc/files.php?docpath=/ITU-T/Q.1742/Q.1742-7/
TIA	TIA-880-A	0	Published	-09-2007	http://www.tiaonline.org/standards/catalog/index.cfm
TTA	TTAT.3G-X.S0001-A v1.0	1.0	Published	24-12-2007	http://www.tta.or.kr/standardDB/stnfile/TTAT.3G-X.S0001-A v1.0.zip
TTC	TS-3GB-X.S0001-Av1.0	1.0	Published	25-05-2007	http://www.ttc.or.jp/j/document_list/free/TS/TS-3GB-X.S0001-Av1.0.pdf

10.5.2 X.S0002-0 version 1.0 TIA/EIA-41-D location services enhancements (March 2004)

This document presents a recommended plan for the implementation of location services enhancements for use in the wireless radiotelephone service. The purpose of this document is to specify the intersystem operations that enable a wireless system to provide enhanced location services.

	Document No.	Version	Status	Issued date	Location
CCSA	CCSA-TSD-MC-X.S0002-0 v1.0	1.0	Published	-03-2004	http://www.ccsa.org.cn/english/tc/files.php?docpath=/ITU-T/Q.1742
TIA	TIA-881		Published	-03-2004	http://www.tiaonline.org/standards/catalog/index.cfm
TTA	TTAT.3G-X.S0002-0 v1.0	1.0	Published	15-11-2004	http://www.tta.or.kr/standardDB/stnfile/TTAT.3G-X.S0002-0 v1.0.zip
TTC	TS-3GB-X.S0002-0v1.0	1.0	Published	28-05-2004	http://www.ttc.or.jp/imt2000/ts/tsxs0002-0v1.0.pdf

10.5.2.1 X.S0002-0 version 2.0 MAP location services enhancements (May 2006)

This document presents a recommended plan for the implementation of location services enhancements for use in the wireless radiotelephone service. The purpose of this document is to specify the intersystem operations that enable a wireless system to provide enhanced location services.

	Document No.	Version	Status	Issued date	Location
CCSA	CCSA-X.S0002-0 v2.0	2.0	Published	31-01-2007	http://www.ccsa.org.cn/english/tc/files.php?docpath=/ITU-T/Q.1742
TIA	TIA-881-1 [E]		Published	-01-2008	http://www.tiaonline.org/standards/catalog/index.cfm
TTA	TTAT.3G-X.S0002-0 v2.0	2.0	Published	15-02-2007	http://www.tta.or.kr/standardDB/stnfile/TTAT.3G-X.S0002-0 v2.0.zip
TTC	TS-3GB-X.S0002-0v2.0	2.0	Published	25-08-2006	http://www.ttc.or.jp/imt2000/ts/tsxs0002-0v2.0.pdf

10.5.3 X.S0003-0 version 1.0 one-way roaming from X.S0004 to GSM (January 2005)

This document provides recommended ANS/TIA/EIA-41-D enhancements required to support TIA/EIA-41 SIM (subscription identification module) roaming one-way into GSM serving areas (without modification to the GSM serving network).

	Document No.	Version	Status	Issued date	Location
CCSA	CCSA-TSD-MC-X.S0003-0	1.0	Published	-09-2005	http://www.ccsa.org.cn/english/tc/files.php?docpath=/ITU-T/Q.1742/Q.1742.5
TIA	TIA-868		Published	-02-2005	http://www.tiaonline.org/standards/catalog/index.cfm
TTA	TTAT.3G-X.S0003-0 v1.0	1.0	Published	09-12-2005	http://www.tta.or.kr/standardDB/stnfile/TTAT.3G-X.S0003-0 v1.0.zip
TTC	TS-3GB-X.S0003-0v1.0	1.0	Published	02-06-2005	http://www.ttc.or.jp/imt2000/ts/tsxs0003-0v1.0.pdf

10.5.4 X.S0004-000-E version 1.0.0 introduction to TIA-41 (March 2004)

This document is to identify those cellular services which require intersystem cooperation, to present the general background against which those services are to be provided, and to summarize the principal considerations which have governed and directed the particular approaches taken in the procedural recommendations. This part defines the range of application of the current issue of the series. It focuses on overall objectives and basic assumptions. Procedural details are presented in the other recommendations.

	Document No.	Version	Status	Issued date	Location
CCSA	CCSA-TSD-MC-X.S0004-000-E v1.0.0	1.0.0	Published	-03-2004	http://www.ccsa.org.cn/english/tc/files.php?docpath=/ITU-T/Q.1742
TIA	TIA-41.000-E		Published	-04-2004	http://www.tiaonline.org/standards/catalog/index.cfm
TTA	TTAT.3G-X.S0004-000-E v1.0.0	1.0.0	Published	15-11-2004	http://www.tta.or.kr/standardDB/stnfile/TTAT.3G-X.S0004-000-E v1.0.0.zip

10.5.4.1 X.S0004-000-E version 2.0.0 introduction to TIA-41 (March 2004)

The purpose of this standard is to identify those wireless services which require intersystem cooperation, to present the general background against which those services are to be provided, and to summarize the principal considerations which have governed and directed the particular approaches taken in the procedural recommendations. This part defines the range of application of

the current issue of the series. It focuses on overall objectives and basic assumptions. Procedural details are presented in the other recommendations.

	Document No.	Version	Status	Issued date	Location
CCSA	CCSA-TSD-MC-X.S0004-000-E	2.0	Published	-01-2006	http://www.ccsa.org.cn/english/tc/files.php?docpath=/ITU-T/Q.1742/Q.1742.5
TIA	TIA-41.000-E-1[E]		Published	-05-2006	http://www.tiaonline.org/standards/catalog/index.cfm
TTA	TTAT.3G-X.S0004-000-E v2.0	2.0	Published	19-04-2006	http://www.tta.or.kr/standardDB/stnfile/TAT.3G-X.S0004-000-E v2.0.zip

10.5.4.2 X.S0004-000-E version 3.0.0 introduction to MAP (October 2005)

The purpose of this standard is to identify those wireless services which require intersystem cooperation, to present the general background against which those services are to be provided, and to summarize the principal considerations which have governed and directed the particular approaches taken in the procedural recommendations. This part defines the range of application of the current issue of the series. It focuses on overall objectives and basic assumptions. Procedural details are presented in the other recommendations.

	Document No.	Version	Status	Issued date	Location
CCSA	CCSA-TSD-MC-X.S0004-000-E	3.0	Published	-01-2006	http://www.ccsa.org.cn/english/tc/files.php?docpath=/ITU-T/Q.1742/Q.1742.5
TIA	TIA-41.000-E-2[E]		Published	-08/2007	http://www.tiaonline.org/standards/catalog/index.cfm
TTA	TTAT.3G-X.S0004-000-E v3.0	3.0	Published	19-04-2006	http://www.tta.or.kr/standardDB/stnfile/TAT.3G-X.S0004-000-E v3.0.zip

10.5.4.3 X.S0004-000-E version 4.0 mobile application part (MAP) – introduction (May 2006)

The purpose of this standard is to identify those wireless services which require intersystem cooperation, to present the general background against which those services are to be provided, and to summarize the principal considerations which have governed and directed the particular approaches taken in the procedural recommendations. This part defines the range of application of the current issue of the series. It focuses on overall objectives and basic assumptions. Procedural details are presented in the other recommendations.

	Document No.	Version	Status	Issued date	Location
CCSA	CCSA-X.S0004-000-E v4.0	4.0	Published	31-01-2007	http://www.ccsa.org.cn/english/tc/files.php?docpath=/ITU-T/Q.1742
TIA	TIA-41.000-E-3[E]		Published	-11-2006	http://www.tiaonline.org/standards/catalog/index.cfm
TTA	TTAT.3G-X.S0004-000-E v4.0	4.0	Published	15-02-2007	http://www.tta.or.kr/standardDB/stnfile/TAT.3G-X.S0004-000-E v4.0.zip

10.5.4.4 X.S0004-000-E version 5.0 mobile application part (MAP) – introduction (January 2007)

The purpose of this standard is to identify those wireless services which require intersystem cooperation, to present the general background against which those services are to be provided, and to summarize the principal considerations which have governed and directed the particular approaches taken in the procedural recommendations. This part defines the range of application of the current issue of the series. It focuses on overall objectives and basic assumptions. Procedural details are presented in the other recommendations.

	Document No.	Version	Status	Issued date	Location
CCSA	CCSA-TSD-MC-X.S0004-000-E v5.0	5.0	Published	25-11-2007	http://www.ccsa.org.cn/english/tc/files.php?docpath=/ITU-T/Q.1742/Q.1742-7/
TIA	TIA-41.000-E-4[E]	4	Published	-09-2007	http://www.tiaonline.org/standards/catalog/index.cfm
TTA	TTAT.3G-X.S0004-000-E v5.0	5.0	Published	24-12-2007	http://www.tta.or.kr/standardDB/stnfile/TAT.3G-X.S0004-000-E v5.0.zip

10.5.4.5 X.S0004-000-E version 6.0 mobile application part (MAP) – introduction (July 2007)

The purpose of this standard is to identify those wireless services which require intersystem cooperation, to present the general background against which those services are to be provided, and to summarize the principal considerations which have governed and directed the particular approaches taken in the procedural recommendations. This part defines the range of application of the current issue of the series. It focuses on overall objectives and basic assumptions. Procedural details are presented in the other recommendations.

	Document No.	Version	Status	Issued date	Location
CCSA	CCSA-TSD-MC-X.S0004-000-E v6.0	6.0	Published	25-11-2007	http://www.ccsa.org.cn/english/tc/files.php?docpath=/ITU-T/Q.1742/Q.1742-7/
TTA	TTAT.3G-X.S0004-000-E v6.0	6.0	Published	24-12-2007	http://www.tta.or.kr/standardDB/stnfile/TAT.3G-X.S0004-000-E v6.0.zip

10.5.4.6 X.S0004-000-E version 8.0 mobile application part (MAP) – introduction (January 2009)

The purpose of this standard is to identify those wireless services which require intersystem cooperation, to present the general background against which those services are to be provided, and to summarize the principal considerations which have governed and directed the particular approaches taken in the procedural recommendations. This part defines the range of application of the current issue of the series. It focuses on overall objectives and basic assumptions. Procedural details are presented in the other recommendations.

	Document No.	Version	Status	Issued date	Location
TTA	TTAT.3G-X.S0004-000-E v8.0	8.0	Published	17-07-2009	http://www.tta.or.kr/standardDB/stnfile/TAT.3G-X.S0004-000-E v8.0.zip

10.5.4.7 X.S0004-000-E version 9.0 mobile application part (MAP) – introduction (June 2009)

The purpose of this standard is to identify those wireless services which require intersystem cooperation, to present the general background against which those services are to be provided, and to summarize the principal considerations which have governed and directed the particular approaches taken in the procedural recommendations. This part defines the range of application of the current issue of the series. It focuses on overall objectives and basic assumptions. Procedural details are presented in the other recommendations.

	Document No.	Version	Status	Issued date	Location
TTA	TTAT.3G-X.S0004-000-E v9.0	9.0	Published	29-01-2010	http://www.tta.or.kr/standardDB/stnfile/TAT.3G-X.S0004-000-E v9.0.zip

10.5.4.8 X.S0004-200-E version 1.0 mobile application part (MAP) – intersystem handoff (May 2006)

This specification defines intersystem handoff by describing the information flows between functional entities which occur in a number of intersystem handoff scenarios.

	Document No.	Version	Status	Issued date	Location
CCSA	CCSA-X.S0004-200-E v1.0	1.0	Published	31-01-2007	http://www.ccsa.org.cn/english/tc/files.php?docpath=/ITU-T/Q.1742
TIA	TIA-41.200-E		Published	-09-2007	http://www.tiaonline.org/standards/catalog/index.cfm
TTA	TTAT.3G-X.S0004-200-E v1.0	1.0	Published	15-02-2007	http://www.tta.or.kr/standardDB/stnfile/TAT.3G-X.S0004-200-E v1.0.zip

10.5.4.9 X.S0004-290-E version 1.0 mobile application part (MAP) – intersystem handoff annexes (May 2006)

This annex is normative and is considered part of the specification.

	Document No.	Version	Status	Issued date	Location
CCSA	CCSA-X.S0004-290-E v1.0	1.0	Published	31-01-2007	http://www.ccsa.org.cn/english/tc/files.php?docpath=/ITU-T/Q.1742
TIA	TIA-41-290-E		Published	02-02-2007	http://www.tiaonline.org/standards/catalog/index.cfm
TTA	TTAT.3G-X.S0004-290-E v1.0	1.0	Published	15-02-2007	http://www.tta.or.kr/standardDB/stnfile/TAT.3G-X.S0004-290-E v1.0.zip

10.5.4.10 X.S0004-321-E version 1.0 mobile application part (MAP) – voice feature scenarios: call delivery (January 2007)

This annex is normative and is considered part of the specification.

	Document No.	Version	Status	Issued date	Location
CCSA	CCSA-TSD-MC-X.S0004-321-E v1.0	1.0	Published	25-11-2007	http://www.ccsa.org.cn/english/tc/files.php?docpath=/ITU-T/Q.1742/Q.1742-7/
TIA	TIA-41.321-E	0	Published	-09-2007	http://www.tiaonline.org/standards/catalog/index.cfm
TTA	TTAT.3G-X.S0004-321-E v1.0	1.0	Published	24-12-2007	http://www.tta.or.kr/standardDB/stnfile/TAT.3G-X.S0004-321-E v1.0.zip

10.5.4.11 X.S0004-321-E version 2.0 mobile application part (MAP) – voice feature scenarios: call delivery (January 2009)

This annex is normative and is considered part of the specification.

	Document No.	Version	Status	Issued date	Location
TTA	TTAT.3G-X.S0004-321-E v2.0	2.0	Published	17-07-2009	http://www.tta.or.kr/standardDB/stnfile/TAT.3G-X.S0004-321-E v2.0.zip

10.5.4.12 X.S0004-322-E version 1.0 mobile application part (MAP) – voice feature scenarios: call forwarding (January 2007)

This annex is normative and is considered part of the specification.

	Document No.	Version	Status	Issued date	Location
CCSA	CCSA-TSD-MC-X.S0004-322-E v1.0	1.0	Published	25-11-2007	http://www.ccsa.org.cn/english/tc/files.php?docpath=/ITU-T/Q.1742/Q.1742-7/
TIA	TIA-41.322-E	0	Published	-09-2007	http://www.tiaonline.org/standards/catalog/index.cfm
TTA	TTAT.3G-X.S0004-322-E v1.0	1.0	Published	24-12-2007	http://www.tta.or.kr/standardDB/stnfile/TTAT.3G-X.S0004-322-E v1.0.zip

10.5.4.13 X.S0004-323-E version 1.0 mobile application part (MAP) – voice feature scenarios: call waiting (January 2007)

This annex is normative and is considered part of the specification.

	Document No.	Version	Status	Issued date	Location
CCSA	CCSA-TSD-MC-X.S0004-323-E v1.0	1.0	Published	25-11-2007	http://www.ccsa.org.cn/english/tc/files.php?docpath=/ITU-T/Q.1742/Q.1742-7/
TIA	TIA-41.323-E	0	Published	-09-2007	http://www.tiaonline.org/standards/catalog/index.cfm
TTA	TTAT.3G-X.S0004-323-E v1.0	1.0	Published	17-07-2009	http://www.tta.or.kr/standardDB/stnfile/TTAT.3G-X.S0004-323-E v1.0.zip

10.5.4.14 X.S0004-324-E version 1.0 mobile application part (MAP) – voice feature scenarios: calling number identification, calling number identification restriction (January 2007)

This annex is normative and is considered part of the specification.

	Document No.	Version	Status	Issued date	Location
CCSA	CCSA-TSD-MC-X.S0004-324-E v1.0	1.0	Published	25-11-2007	http://www.ccsa.org.cn/english/tc/files.php?docpath=/ITU-T/Q.1742/Q.1742-7/
TIA	TIA-41.324-E	0	Published	-09-2007	http://www.tiaonline.org/standards/catalog/index.cfm
TTA	TTAT.3G-X.S0004-324-E v1.0	1.0	Published	24-12-2007	http://www.tta.or.kr/standardDB/stnfile/TTAT.3G-X.S0004-324-E v1.0.zip

10.5.4.15 X.S0004-324-E version 2.0 mobile application part (MAP) – voice feature scenarios: calling number identification, calling number identification restriction (January 2009)

This annex is normative and is considered part of the specification.

	Document No.	Version	Status	Issued date	Location
TTA	TTAT.3G-X.S0004-324-E v2.0	2.0	Published	17-07-2009	http://www.tta.or.kr/standardDB/stnfile/TTAT.3G-X.S0004-324-E v2.0.zip

10.5.4.16 X.S0004-325-E version 1.0 mobile application part (MAP) – voice feature scenarios: conference calling (April 2008)

This annex is normative and is considered part of the specification.

	Document No.	Version	Status	Issued date	Location
TTA	TTAT.3G-X.S0004-325-E v1.0	1.0	Published	17-07-2009	http://www.tta.or.kr/standardDB/stnfile/TTAT.3G-X.S0004-325-E v1.0.zip

10.5.4.17 X.S0004-326-E version 1.0 mobile application part (MAP) – voice feature scenarios: do not disturb (April 2008)

This annex is normative and is considered part of the specification.

	Document No.	Version	Status	Issued date	Location
TTA	TTAT.3G-X.S0004-326-E v1.0	1.0	Published	17-07-2009	http://www.tta.or.kr/standardDB/stnfile/TAT.3G-X.S0004-326-E v1.0.zip

10.5.4.18 X.S0004-327-E version 1.0 mobile application part (MAP) – voice feature scenarios: flexible alerting (April 2008)

This annex is normative and is considered part of the specification.

	Document No.	Version	Status	Issued date	Location
TTA	TTAT.3G-X.S0004-327-E v1.0	1.0	Published	17-07-2009	http://www.tta.or.kr/standardDB/stnfile/TAT.3G-X.S0004-327-E v1.0.zip

10.5.4.19 X.S0004-328-E version 1.0 mobile application part (MAP) – voice feature scenarios: mobile access hunting (April 2008)

This annex is normative and is considered part of the specification.

	Document No.	Version	Status	Issued date	Location
TTA	TTAT.3G-X.S0004-328-E v1.0	1.0	Published	17-07-2009	http://www.tta.or.kr/standardDB/stnfile/TAT.3G-X.S0004-328-E v1.0.zip

10.5.4.20 X.S0004-329-E version 1.0 mobile application part (MAP) – voice feature scenarios: message waiting notification (April 2008)

This annex is normative and is considered part of the specification.

	Document No.	Version	Status	Issued date	Location
TTA	TTAT.3G-X.S0004-329-E v1.0	1.0	Published	17-07-2009	http://www.tta.or.kr/standardDB/stnfile/TAT.3G-X.S0004-329-E v1.0.zip

10.5.4.21 X.S0004-330-E version 1.0 mobile application part (MAP) – voice feature scenarios: password call acceptance / selective call acceptance (April 2008)

This annex is normative and is considered part of the specification.

	Document No.	Version	Status	Issued date	Location
TTA	TTAT.3G-X.S0004-330-E v1.0	1.0	Published	17-07-2009	http://www.tta.or.kr/standardDB/stnfile/TAT.3G-X.S0004-330-E v1.0.zip

10.5.4.22 X.S0004-331-E version 1.0 mobile application part (MAP) – voice feature scenarios: priority access and channel assignment (April 2008)

This annex is normative and is considered part of the specification.

	Document No.	Version	Status	Issued date	Location
TTA	TTAT.3G-X.S0004-331-E v1.0	1.0	Published	17-07-2009	http://www.tta.or.kr/standardDB/stnfile/TAT.3G-X.S0004-331-E v1.0.zip

10.5.4.23 X.S0004-332-E version 1.0 mobile application part (MAP) – voice feature scenarios: remote feature control (April 2008)

This annex is normative and is considered part of the specification.

	Document No.	Version	Status	Issued date	Location
TTA	TTAT.3G-X.S0004-332-E v1.0	1.0	Published	17-07-2009	http://www.tta.or.kr/standardDB/stnfile/TAT.3G-X.S0004-332-E v1.0.zip

10.5.4.24 X.S0004-333-E version 1.0 mobile application part (MAP) – voice feature scenarios: subscriber pin access, subscriber pin intercept (January 2009)

This annex is normative and is considered part of the specification.

	Document No.	Version	Status	Issued date	Location
TTA	TTAT.3G-X.S0004-333-E v1.0	1.0	Published	17-07-2009	http://www.tta.or.kr/standardDB/stnfile/TAT.3G-X.S0004-333-E v1.0.zip

10.5.4.25 X.S0004-334-E version 1.0 mobile application part (MAP) – voice feature scenarios: voice message retrieval (January 2009)

This annex is normative and is considered part of the specification.

	Document No.	Version	Status	Issued date	Location
TTA	TTAT.3G-X.S0004-334-E v1.0	1.0	Published	17-07-2009	http://www.tta.or.kr/standardDB/stnfile/TAT.3G-X.S0004-334-E v1.0.zip

10.5.4.26 X.S0004-335-E version 1.0 mobile application part (MAP) – voice feature scenarios: calling name presentation, calling name restriction (January 2009)

This annex is normative and is considered part of the specification.

	Document No.	Version	Status	Issued date	Location
TTA	TTAT.3G-X.S0004-335-E v1.0	1.0	Published	17-07-2009	http://www.tta.or.kr/standardDB/stnfile/TAT.3G-X.S0004-335-E v1.0.zip

10.5.4.27 X.S0004-336-E version 1.0 mobile application part (MAP) – voice feature scenarios: wireless emergency services (January 2009)

This annex is normative and is considered part of the specification.

	Document No.	Version	Status	Issued date	Location
TTA	TTAT.3G-X.S0004-336-E v1.0	1.0	Published	17-07-2009	http://www.tta.or.kr/standardDB/stnfile/TAT.3G-X.S0004-336-E v1.0.zip

10.5.4.28 X.S0004-350-E version 1.0 mobile application part (MAP) – voice feature scenarios: MDN-based validation (January 2009)

This annex is normative and is considered part of the specification.

	Document No.	Version	Status	Issued date	Location
TTA	TTAT.3G-X.S0004-350-E v1.0	1.0	Published	17-07-2009	http://www.tta.or.kr/standardDB/stnfile/TAT.3G-X.S0004-350-E v1.0.zip

10.5.4.29 X.S0004-371-E version 1.0 mobile application part (MAP) – voice feature scenarios: broadcast teleservice transport capability (April 2008)

This annex is normative and is considered part of the specification.

	Document No.	Version	Status	Issued date	Location
TTA	TTAT.3G-X.S0004-371-E v1.0	1.0	Published	17-07-2009	http://www.tta.or.kr/standardDB/stnfile/TAT.3G-X.S0004-371-E v1.0.zip

10.5.4.30 X.S0004-372-E version 1.0 mobile application part (MAP) – voice feature scenarios: border MSC SMS scenarios (January 2009)

This annex is normative and is considered part of the specification.

	Document No.	Version	Status	Issued date	Location
TTA	TTAT.3G-X.S0004-372-E v1.0	1.0	Published	17-07-2009	http://www.tta.or.kr/standardDB/stnfile/TAT.3G-X.S0004-372-E v1.0.zip

10.5.4.31 X.S0004-400-E version 1.0 operations administration and maintenance (July 2005)

This document defines the intersystem operations, administration and maintenance (OA&M) information flows and procedures required for intersystem trunk maintenance.

	Document No.	Version	Status	Issued date	Location
CCSA	CCSA-TSD-MC-X.S0004-400-E	1.0	Published	-01-2006	http://www.ccsa.org.cn/english/tc/files.php?docpath=/ITU-T/Q.1742/Q.1742.5
TIA	TIA-41.400-E		Published	-12-2005	http://www.tiaonline.org/standards/catalog/index.cfm
TTA	TTAT.3G-X.S0004-400-E v1.0	1.0	Published	19-04-2006	http://www.tta.or.kr/standardDB/stnfile/TAT.3G-X.S0004-400-E v1.0.zip

10.5.4.32 X.S0004-500-E version 1.0.0 introduction to signaling protocols (March 2004)

This document introduces the signaling protocols for this standard.

	Document No.	Version	Status	Issued date	Location
CCSA	CCSA-TSD-MC-X.S0004-500-E v1.0.0	1.0.0	Published	-03-2004	http://www.ccsa.org.cn/english/tc/files.php?docpath=/ITU-T/Q.1742
TIA	TIA-41.500-E		Published	-04-2004	http://www.tiaonline.org/standards/catalog/index.cfm
TTA	TTAT.3G-X.S0004-500-E v1.0.0	1.0.0	Published	15-11-2004	http://www.tta.or.kr/standardDB/stnfile/TAT.3G-X.S0004-500-E v1.0.0.zip

10.5.4.33 X.S0004-510-E version 1.0.0 X.25 transport signaling protocols (March 2004)

This document describes X.25 transport signaling protocols.

	Document No.	Version	Status	Issued date	Location
CCSA	CCSA-TSD-MC-X.S0004-510-E v1.0.0	1.0.0	Published	-03-2004	http://www.ccsa.org.cn/english/tc/files.php?docpath=/ITU-T/Q.1742
TIA	TIA-41.510-E		Published	-04-2004	http://www.tiaonline.org/standards/catalog/index.cfm
TTA	TTAT.3G-X.S0004-510-E v1.0.0	1.0.0	Published	15-11-2004	http://www.tta.or.kr/standardDB/stnfile/TAT.3G-X.S0004-510-E v1.0.0.zip

10.5.4.34 X.S0004-511-E version 1.0.0 ANS/SS7 transport signaling protocols (March 2004)

This document describes ANS/SS7 transport signaling protocols.

	Document No.	Version	Status	Issued date	Location
CCSA	CCSA-TSD-MC-X.S0004-511-E v1.0.0	1.0.0	Published	-03-2004	http://www.ccsa.org.cn/english/tc/files.php?docpath=/ITU-T/Q.1742
TIA	TIA-41.511-E		Published	-04-2004	http://www.tiaonline.org/standards/catalog/index.cfm
TTA	TTAT.3G-X.S0004-511-E v1.0.0	1.0.0	Published	15-11-2004	http://www.tta.or.kr/standardDB/stnfile/TAT.3G-X.S0004-511-E v1.0.0.zip

10.5.4.35 X.S0004-512-E version 1.0.0 ITU-T SS7 transport signaling protocols (March 2004)

This document describes ITU-T SS7 transport signaling protocols.

	Document No.	Version	Status	Issued date	Location
CCSA	CCSA-TSD-MC-X.S0004-512-E v1.0.0	1.0.0	Published	-03-2004	http://www.ccsa.org.cn/english/tc/files.php?docpath=/ITU-T/Q.1742
TIA	TIA-41.512-E		Published	-04-2004	http://www.tiaonline.org/standards/catalog/index.cfm
TTA	TTAT.3G-X.S0004-512-E v1.0.0	1.0.0	Published	15-11-2004	http://www.tta.or.kr/standardDB/stnfile/TTAT.3G-X.S0004-512-E v1.0.0.zip

10.5.4.36 X.S0004-520-E version 1.0.0 TCAP application signaling protocols (March 2004)

This document describes TCAP application signalling protocols.

	Document No.	Version	Status	Issued date	Location
CCSA	CCSA-TSD-MC-X.S0004-520-E v1.0.0	1.0.0	Published	-03-2004	http://www.ccsa.org.cn/english/tc/files.php?docpath=/ITU-T/Q.1742
TIA	TIA-41.520-E		Published	-04-2004	http://www.tiaonline.org/standards/catalog/index.cfm
TTA	TTAT.3G-X.S0004-520-E v1.0.0	1.0.0	Published	15-11-2004	http://www.tta.or.kr/standardDB/stnfile/TTAT.3G-X.S0004-520-E v1.0.0.zip

10.5.4.37 X.S0004-520-E version 2.0 mobile application part (MAP) TCAP application signaling protocols (July 2007)

This document describes TCAP application signalling protocols.

	Document No.	Version	Status	Issued date	Location
CCSA	CCSA-TSD-MC-X.S0004-520-E v2.0	2.0	Published	25-11-2007	http://www.ccsa.org.cn/english/tc/files.php?docpath=/ITU-T/Q.1742/Q.1742-7/
TTA	TTAT.3G-X.S0004-520-E v2.0	2.0	Published	24-12-2007	http://www.tta.or.kr/standardDB/stnfile/TTAT.3G-X.S0004-520-E v2.0.zip

10.5.4.38 X.S0004-540-E version 1.0.0 MAP operations signaling protocols (March 2004)

This document supports systems conforming to air-interface technology, AMPS, NAMPS, TDMA, CDMA, including cdma2000.

	Document No.	Version	Status	Issued date	Location
CCSA	CCSA-TSD-MC-X.S0004-540-E v1.0.0	1.0.0	Published	-03-2004	http://www.ccsa.org.cn/english/tc/files.php?docpath=/ITU-T/Q.1742
TIA	TIA-41.540-E		Published	-04-2004	http://www.tiaonline.org/standards/catalog/index.cfm
TTA	TTAT.3G-X.S0004-540-E v1.0.0	1.0.0	Published	15-11-2004	http://www.tta.or.kr/standardDB/stnfile/TTAT.3G-X.S0004-540-E v1.0.0.zip

10.5.4.39 X.S0004-540-E version 2.0 mobile application part (MAP) operations signaling protocols (July 2007)

This document supports systems conforming to air-interface technology, AMPS, NAMPS, TDMA, CDMA, including cdma2000.

	Document No.	Version	Status	Issued date	Location
CCSA	CCSA-TSD-MC-X.S0004-540-E v2.0	2.0	Published	25-11-2007	http://www.ccsa.org.cn/english/tc/files.php?docpath=/ITU-T/Q.1742/Q.1742-7/
TTA	TTAT.3G-X.S0004-540-E v2.0	2.0	Published	24-12-2007	http://www.tta.or.kr/standardDB/stnfile/TAT.3G-X.S0004-540-E v2.0.zip

10.5.4.40 X.S0004-550-E version 1.0.0 MAP parameters signaling protocols (March 2004)

This document supports systems conforming to air-interface technology, AMPS, NAMPS, TDMA, CDMA, including cdma2000.

	Document No.	Version	Status	Issued date	Location
CCSA	CCSA-TSD-MC-X.S0004-550-E v1.0.0	1.0.0	Published	-03-2004	http://www.ccsa.org.cn/english/tc/files.php?docpath=/ITU-T/Q.1742
TIA	TIA-41.550-E		Published	-04-2004	http://www.tiaonline.org/standards/catalog/index.cfm
TTA	TTAT.3G-X.S0004-550-E v1.0.0	1.0.0	Published	15-11-2004	http://www.tta.or.kr/standardDB/stnfile/TAT.3G-X.S0004-550-E v1.0.0.zip

10.5.4.41 X.S0004-550-E version 2.0 mobile application part (MAP) parameters signaling protocols (July 2007)

This document supports systems conforming to air-interface technology, AMPS, NAMPS, TDMA, CDMA, including cdma2000.

	Document No.	Version	Status	Issued date	Location
CCSA	CCSA-TSD-MC-X.S0004-550-E v2.0	2.0	Published	25-11-2007	http://www.ccsa.org.cn/english/tc/files.php?docpath=/ITU-T/Q.1742/Q.1742-7/
TTA	TTAT.3G-X.S0004-550-E v2.0	2.0	Published	24-12-2007	http://www.tta.or.kr/standardDB/stnfile/TAT.3G-X.S0004-550-E v2.0.zip

10.5.4.42 X.S0004-550-E version 3.0 mobile application part (MAP) parameters signaling protocols (June 2009)

This document supports systems conforming to air-interface technology, AMPS, NAMPS, TDMA, CDMA, including cdma2000.

	Document No.	Version	Status	Issued date	Location
TTA	TTAT.3G-X.S0004-550-E v3.0	3.0	Published	29-01-2010	http://www.tta.or.kr/data/ttasDown.jsp?where=14688&pk_num=TTAT.3G-X.S0004-550-E v3.0

10.5.4.43 X.S0004-551-E version 1.0.0 parameter types signaling protocols (March 2004)

This document provides the definitions of the parameter types used in this standard.

	Document No.	Version	Status	Issued date	Location
CCSA	CCSA-TSD-MC-X.S0004-551-E v1.0.0	1.0.0	Published	-03-2004	http://www.ccsa.org.cn/english/tc/files.php?docpath=/ITU-T/Q.1742
TIA	TIA-41.551-E		Published	-04-2004	http://www.tiaonline.org/standards/catalog/index.cfm
TTA	TTAT.3G-X.S0004-551-E v1.0.0	1.0.0	Published	15-11-2004	http://www.tta.or.kr/standardDB/stnfile/TAT.3G-X.S0004-551-E v1.0.0.zip

10.5.4.44 X.S0004-590-E version 1.0.0 MAP compatibility signaling protocols (March 2004)

While this document outlines guidelines and rules, which will in the near term be beneficial to the implementation of this standard, other activities which may impact these rules are in progress. As such, the remainder of this section, "MAP compatibility guidelines and rules", may be subject to change and revision based on future TIA-41 recommendations. This is to ensure that there is no long-term impediment to cellular radiotelecommunications networks to evolve and implement significant new functionality. Also, to better allow for the longer-term alignment of TIA-41 with emerging international standards.

	Document No.	Version	Status	Issued date	Location
CCSA	CCSA-TSD-MC-X.S0004-590-E v1.0.0	1.0.0	Published	-03-2004	http://www.ccsa.org.cn/english/tc/files.php?docpath=/ITU-T/Q.1742
TIA	TIA-41.590-E		Published	-04-2004	http://www.tiaonline.org/standards/catalog/index.cfm
TTA	TTAT.3G-X.S0004-590-E v1.0.0	1.0.0	Published	15-11-2004	http://www.tta.or.kr/standardDB/stnfile/TAT.3G-X.S0004-590-E v1.0.0.zip

10.5.4.45 X.S0004-600-E version 1.0 introduction to procedures (July 2005)

This document describes the signaling and call processing procedures required to perform automatic roaming features and services. The messages required to perform the automatic roaming are defined in part 540. Conformance with this document shall mean that a system's externally visible behavior is the same as the externally visible behavior of the abstract system described here.

	Document No.	Version	Status	Issued date	Location
CCSA	CCSA-TSD-MC-X.S0004-600-E	1.0	Published	-01-2006	http://www.ccsa.org.cn/english/tc/files.php?docpath=/ITU-T/Q.1742/Q.1742.5
TIA	TIA-41.600-E		Published	-12-2005	http://www.tiaonline.org/standards/catalog/index.cfm
TTA	TTAT.3G-X.S0004-600-E v1.0	1.0	Published	19-04-2006	http://www.tta.or.kr/standardDB/stnfile/TAT.3G-X.S0004-600-E v1.0.zip

10.5.4.46 X.S0004-630-E version 1.0 basic call processing (July 2005)

This document describes the signaling and call processing procedures required to perform automatic roaming features and services.

	Document No.	Version	Status	Issued date	Location
CCSA	CCSA-TSD-MC-X.S0004-630-E	1.0	Published	-01-2006	http://www.ccsa.org.cn/english/tc/files.php?docpath=/ITU-T/Q.1742/Q.1742.5
TIA	TIA-41.630-E		Published	-12-2005	http://www.tiaonline.org/standards/catalog/index.cfm
TTA	TTAT.3G-X.S0004-630-E v1.0	1.0	Published	19-04-2006	http://www.tta.or.kr/standardDB/stnfile/TAT.3G-X.S0004-630-E v1.0.zip

10.5.4.47 X.S0004-630-E version 2.0 mobile application part (MAP) basic call processing (July 2007)

This document describes the signaling and call processing procedures required to perform automatic roaming features and services.

	Document No.	Version	Status	Issued date	Location
CCSA	CCSA-TSD-MC-X.S0004-630-E v2.0	2.0	Published	25-11-2007	http://www.ccsa.org.cn/english/tc/files.php?docpath=/ITU-T/Q.1742/Q.1742-7/
TTA	TTAT.3G-X.S0004-630-E v2.0	2.0	Published	24-12-2007	http://www.tta.or.kr/standardDB/stnfile/TAT.3G-X.S0004-630-E v2.0.zip

10.5.4.48 X.S0004-630-E version 3.0 mobile application part (MAP) basic call processing (April 2008)

This document describes the signaling and call processing procedures required to perform automatic roaming features and services.

	Document No.	Version	Status	Issued date	Location
TTA	TTAT.3G-X.S0004-630-E v3.0	3.0	Published	24-12-2007	http://www.tta.or.kr/standardDB/stnfile/TAT.3G-X.S0004-630-E v3.0.zip

10.5.4.49 X.S0004-640-E version 1.0 intersystem procedures (July 2005)

This document describes the signaling and call processing procedures required to perform automatic roaming features and services.

	Document No.	Version	Status	Issued date	Location
CCSA	CCSA-TSD-MC-X.S0004-640-E	1.0	Published	-01-2006	http://www.ccsa.org.cn/english/tc/files.php?docpath=/ITU-T/Q.1742/Q.1742.5
TIA	TIA-41.640-E		Published	-12-2006	http://www.tiaonline.org/standards/catalog/index.cfm
TTA	TTAT.3G-X.S0004-640-E v1.0	1.0	Published	19-04-2006	http://www.tta.or.kr/standardDB/stnfile/TAT.3G-X.S0004-640-E v1.0.zip

10.5.4.50 X.S0004-640-E version 2.0 mobile application part (MAP) intersystem procedures (July 2007)

This document describes the signaling and call processing procedures required to perform automatic roaming features and services.

	Document No.	Version	Status	Issued date	Location
CCSA	CCSA-TSD-MC-X.S0004-640-E v2.0	2.0	Published	25-11-2007	http://www.ccsa.org.cn/english/tc/files.php?docpath=/ITU-T/Q.1742/Q.1742-7/
TTA	TTAT.3G-X.S0004-640-E v2.0	2.0	Published	24-12-2007	http://www.tta.or.kr/standardDB/stnfile/TAT.3G-X.S0004-640-E v2.0.zip

10.5.4.51 X.S0004-641-E version 1.0 short message services (SMS) (July 2005)

This document describes the signaling and call processing procedures required to perform automatic roaming features and services.

	Document No.	Version	Status	Issued date	Location
CCSA	CCSA-TSD-MC-X.S0004-641-E	1.0	Published	-01-2006	http://www.ccsa.org.cn/english/tc/files.php?docpath=/ITU-T/Q.1742/Q.1742.5
TIA	TIA-41.641-E		Published	-12-2006	http://www.tiaonline.org/standards/catalog/index.cfm
TTA	TTAT.3G-X.S0004-641-E v1.0	1.0	Published	19-04-2006	http://www.tta.or.kr/standardDB/stnfile/TAT.3G-X.S0004-641-E v1.0.zip

10.5.4.52 X.S0004-641-E version 2.0 mobile application part (MAP) short message services (SMS) (July 2007)

This document describes the signaling and call processing procedures required to perform automatic roaming features and services.

	Document No.	Version	Status	Issued date	Location
CCSA	CCSA-TSD-MC-X.S0004-641-E v2.0	2.0	Published	25-11-2007	http://www.ccsa.org.cn/english/tc/files.php?docpath=/ITU-T/Q.1742/Q.1742-7/
TTA	TTAT.3G-X.S0004-641-E v2.0	2.0	Published	24-12-2007	http://www.tta.or.kr/standardDB/stnfile/TAT.3G-X.S0004-641-E v2.0.zip

10.5.4.53 X.S0004-642-E version 1.0 segmentation (July 2005)

This section describes procedures to allow the transmission of messages, which may or may not require segmentation and reassembly (S&R).

	Document No.	Version	Status	Issued date	Location
CCSA	CCSA-TSD-MC-X.S0004-642-E	1.0	Published	-01-2006	http://www.ccsa.org.cn/english/tc/files.php?docpath=/ITU-T/Q.1742/Q.1742.5
TIA	TIA-41.642-E		Published	-12-2005	http://www.tiaonline.org/standards/catalog/index.cfm
TTA	TTAT.3G-X.S0004-642-E v1.0	1.0	Published	19-04-2006	http://www.tta.or.kr/standardDB/stnfile/TAT.3G-X.S0004-642-E v1.0.zip

10.5.4.54 X.S0004-650-E version 1.0 common voice feature procedures (July 2005)

This section describes common voice feature procedures to implement individual features.

	Document No.	Version	Status	Issued date	Location
CCSA	CCSA-TSD-MC-X.S0004-650-E	1.0	Published	-01-2006	http://www.ccsa.org.cn/english/tc/files.php?docpath=/ITU-T/Q.1742/Q.1742.5
TIA	TIA-41.650-E		Published	-12-2005	http://www.tiaonline.org/standards/catalog/index.cfm
TTA	TTAT.3G-X.S0004-650-E v1.0	1.0	Published	19-04-2006	http://www.tta.or.kr/standardDB/stnfile/TAT.3G-X.S0004-650-E v1.0.zip

10.5.4.55 X.S0004-651-E version 1.0 voice feature procedures (July 2005)

This section describes modular procedures to implement individual features.

	Document No.	Version	Status	Issued date	Location
CCSA	CCSA-TSD-MC-X.S0004-651-E	1.0	Published	-01-2006	http://www.ccsa.org.cn/english/tc/files.php?docpath=/ITU-T/Q.1742/Q.1742.5
TIA	TIA-41.651-E		Published	-12-2005	http://www.tiaonline.org/standards/catalog/index.cfm
TTA	TTAT.3G-X.S0004-651-E v1.0	1.0	Published	19-04-2006	http://www.tta.or.kr/standardDB/stnfile/TAT.3G-X.S0004-651-E v1.0.zip

10.5.4.56 X.S0004-651-E version 2.0 mobile application part (MAP) voice feature procedures (July 2007)

This section describes modular procedures to implement individual features.

	Document No.	Version	Status	Issued date	Location
CCSA	CCSA-TSD-MC-X.S0004-651-E v2.0	2.0	Published	25-11-2007	http://www.ccsa.org.cn/english/tc/files.php?docpath=/ITU-T/Q.1742/Q.1742-7/
TTA	TTAT.3G-X.S0004-651-E v2.0	2.0	Published	24-12-2007	http://www.tta.or.kr/standardDB/stnfile/TAT.3G-X.S0004-651-E v2.0.zip

10.5.4.57 X.S0004-660-E version 1.0 wireless intelligent network (WIN) procedures (July 2005)

In addition to the specific procedures described in this part of the standard, the functional entity call and service logic processing models provide a tool used by WIN architects to model a call and to understand and describe the distribution of functions between functional entities and functional entity relationships.

	Document No.	Version	Status	Issued date	Location
CCSA	CCSA-TSD-MC-X.S0004-660-E	1.0	Published	-01-2006	http://www.ccsa.org.cn/english/tc/files.php?docpath=/ITU-T/Q.1742/Q.1742.5
TIA	TIA-41.660-E		Published	-12-2005	http://www.tiaonline.org/standards/catalog/index.cfm
TTA	TTAT.3G-X.S0004-660-E v1.0	1.0	Published	19-04-2006	http://www.tta.or.kr/standardDB/stnfile/TAT.3G-X.S0004-660-E v1.0.zip

10.5.4.58 X.S0004-690-E version 1.0 operation timer values (July 2005)

The following table provides a summary of the timers used for MAP operations. The timer values specified in this table are default values only and should be optimized for actual operating environments. Some timers are locally defined and are not in this table (e.g., alerting timer, no answer timer, page response timer, maximum interaction timer, interdigit timer).

	Document No.	Version	Status	Issued date	Location
CCSA	CCSA-TSD-MC-X.S0004-690-E	1.0	Published	-01-2006	http://www.ccsa.org.cn/english/tc/files.php?docpath=/ITU-T/Q.1742/Q.1742.5
TIA	TIA-41.690-E		Published	-12-2005	http://www.tiaonline.org/standards/catalog/index.cfm
TTA	TTAT.3G-X.S0004-690-E v1.0	1.0	Published	19-04-2006	http://www.tta.or.kr/standardDB/stnfile/TAT.3G-X.S0004-690-E v1.0.zip

10.5.4.59 X.S0004-690-E version 2.0 mobile application part (MAP) timers (July 2007)

The following table provides a summary of the timers used for MAP operations. The timer values specified in this table are default values only and should be optimized for actual operating environments. Some timers are locally defined and are not in this table (e.g., alerting timer, no answer timer, page response timer, maximum interaction timer, interdigit timer).

	Document No.	Version	Status	Issued date	Location
CCSA	CCSA-TSD-MC-X.S0004-690-E v2.0	2.0	Published	25-11-2007	http://www.ccsa.org.cn/english/tc/files.php?docpath=/ITU-T/Q.1742/Q.1742-7/
TTA	TTAT.3G-X.S0004-690-E v2.0	2.0	Published	24-12-2007	http://www.tta.or.kr/standardDB/stnfile/TAT.3G-X.S0004-690-E v2.0.zip

10.5.4.60 X.S0004-691-E version 1.0 annexes (July 2005)

This annex describes an algorithm for verifying the value of RANDC received from an MS. The algorithm used to verify RANDC is internal to an MSC and, as such, it does not constitute an intersystem operation.

	Document No.	Version	Status	Issued date	Location
CCSA	CCSA-TSD-MC-X.S0004-691-E	1.0	Published	-01-2006	http://www.ccsa.org.cn/english/tc/files.php?docpath=/ITU-T/Q.1742/Q.1742
TTA	TTAT.3G-X.S0004-691-E v1.0	1.0	Published	19-04-2006	http://www.tta.or.kr/standardDB/stnfile/TAT.3G-X.S0004-691-E v1.0.zip

10.5.4.61 X.S0004-691-E version 2.0 annexes (September 2005)

This annex describes an algorithm for verifying the value of RANDC received from an MS. The algorithm used to verify RANDC is internal to an MSC and, as such, it does not constitute an intersystem operation.

	Document No.	Version	Status	Issued date	Location
CCSA	CCSA-TSD-MC-X.S0004-691-E	2.0	Published	-01-2006	http://www.ccsa.org.cn/english/tc/files.php?docpath=/ITU-T/Q.1742/Q.1742
TTA	TTAT.3G-X.S0004-691-E v2.0	2.0	Published	19-04-2006	http://www.tta.or.kr/standardDB/stnfile/TAT.3G-X.S0004-691-E v2.0.zip

10.5.4.62 X.S0004-691-E version 3.0 mobile application part (MAP) annexes for the 6XX series (July 2007)

This annex describes an algorithm for verifying the value of RANDC received from an MS. The algorithm used to verify RANDC is internal to an MSC and, as such, it does not constitute an intersystem operation.

	Document No.	Version	Status	Issued date	Location
CCSA	CCSA-TSD-MC-X.S0004-691-E v3.0	3.0	Published	25-11-2007	http://www.ccsa.org.cn/english/tc/files.php?docpath=/ITU-T/Q.1742/Q.1742-7/
TTA	TTAT.3G-X.S0004-691-E v3.0	3.0	Published	24-12-2007	http://www.tta.or.kr/standardDB/stnfile/TAT.3G-X.S0004-691-E v3.0.zip

10.5.4.63 X.S0004-700-E version 1.0.0 wireless intelligent networks (March 2004)

This document part of TIA-41 defines the distributed functional plane (DFP) for the wireless intelligent network (WIN).

Specifically, the scope of this part of the standard is:

- a) to define the WIN functional entities and the relationships applicable to WIN;
- b) to specify a high level model description of call control function (CCF) activities required to establish and maintain communication paths for users;
- c) to specify a high level model description of service switching function (SSF) activities required for interaction between the CCF and a service control function (SCF);
- d) to specify WIN triggers and provide a high level model description of detection point processing;
- e) to describe mobility management and radio access control functions in the context of WIN;
- f) to illustrate how the WIN basic call state models interact with TIA-41 signaling.

	Document No.	Version	Status	Issued date	Location
CCSA	CCSA-TSD-MC-X.S0004-700-E v1.0.0	1.0.0	Published	-03-2004	http://www.ccsa.org.cn/english/tc/files.php?docpath=/ITU-T/Q.1742
TIA	TIA-41.700-E		Published	-04-2004	http://www.tiaonline.org/standards/catalog/index.cfm
TTA	TTAT.3G-X.S0004-700-E v1.0.0	1.0.0	Published	15-11-2004	http://www.tta.or.kr/standardDB/stnfile/TAT.3G-X.S0004-700-E v1.0.0.zip

10.5.4.64 X.S0004-730-E version 1.0.0 WIN distributed functional model (March 2004)

This document depicts the functional entities and relationships applicable to WIN.

	Document No.	Version	Status	Issued date	Location
CCSA	CCSA-TSD-MC-X.S0004-730-E v1.0.0	1.0.0	Published	-03-2004	http://www.ccsa.org.cn/english/tc/files.php?docpath=/ITU-T/Q.1742
TIA	TIA-41.730-E		Published	-04-2004	http://www.tiaonline.org/standards/catalog/index.cfm
TTA	TTAT.3G-X.S0004-730-E v1.0.0	1.0.0	Published	15-11-2004	http://www.tta.or.kr/standardDB/stnfile/TTAT.3G-X.S0004-730-E v1.0.0.zip

10.5.4.65 X.S0004-750-E version 1.0.0 SSF/CCF call and service logic model (March 2004)

This document describes WIN call and service logic processing in terms of call modelling and modelling of service logic processing. WIN call and service logic encompasses call and connection processing in the SSF/CCF, service logic execution in the SCF, and the use of supporting resources and data in the SRF and the SDF, respectively.

	Document No.	Version	Status	Issued date	Location
CCSA	CCSA-TSD-MC-X.S0004-750-E v1.0.0	1.0.0	Published	-03-2004	http://www.ccsa.org.cn/english/tc/files.php?docpath=/ITU-T/Q.1742
TIA	TIA-41.750-E		Published	-04-2004	http://www.tiaonline.org/standards/catalog/index.cfm
TTA	TTAT.3G-X.S0004-750-E v1.0.0	1.0.0	Published	15-11-2004	http://www.tta.or.kr/standardDB/stnfile/TTAT.3G-X.S0004-750-E v1.0.0.zip

10.5.4.66 X.S0004-790-E version 1.0.0 WIN call delivery (March 2004)

This annex describes how MS-to-MS call delivery can be modelled using the WIN basic call state models (BCSMs). The message sequences shown in the annex are as in TIA-41.

	Document No.	Version	Status	Issued date	Location
CCSA	CCSA-TSD-MC-X.S0004-790-E v1.0.0	1.0.0	Published	-03-2004	http://www.ccsa.org.cn/english/tc/files.php?docpath=/ITU-T/Q.1742
TIA	TIA-41.790-E		Published	-04-2004	http://www.tiaonline.org/standards/catalog/index.cfm
TTA	TTAT.3G-X.S0004-790-E v1.0.0	1.0.0	Published	15-11-2004	http://www.tta.or.kr/standardDB/stnfile/TTAT.3G-X.S0004-790-E v1.0.0.zip

10.5.5 X.S0006-0 version 1.0 map support of authentication and key agreement (AKA) (October 2005)

Enhanced subscriber authentication (ESA) uses 3GPP authentication and key agreement (AKA) procedures for mutual authentication of the MS and the network in the serving system. The successful execution of AKA results in the establishment of a security association (i.e., a set of security data) between the MS and the serving system. This enables a set of security services to be provided (e.g., data integrity of a signaling message, signaling information element encryption, user data encryption).

	Document No.	Version	Status	Issued date	Location
CCSA	CCSA-X.S0006-0 v1.0	1.0	Published	31-01-2007	http://www.ccsa.org.cn/english/tc/files.php?docpath=/ITU-T/Q.1742
TIA	TIA-945		Published	-02-2006	http://www.tiaonline.org/standards/catalog/index.cfm
TTA	TTAT.3G-X.S0006-0 v1.0	1.0	Published	15-02-2007	http://www.tta.or.kr/standardDB/stnfile/TTAT.3G-X.S0006-0 v1.0.zip
TTC	TS-3GB-X.S0006-0v1.0	1.0	Published	03-03-2006	http://www.ttc.or.jp/imt2000/ts/tsxs0006-0v1.0.pdf

10.5.6 X.S0008-0 version 1.0 Support for the mobile equipment identity (MEID) (June 2004)

TIA-41 support for the mobile equipment identity (MEID).

	Document No.	Version	Status	Issued date	Location
CCSA	CCSA-TSD-MC-X.S0008-0	1.0	Published	-09-2005	http://www.ccsa.org.cn/english/tc/files.php?docpath=/ITU-T/Q.1742/Q.1742.5
TIA	TIA-928 TIA-928-1		Published	-08-2004 -06-2005	http://www.tiaonline.org/standards/catalog/index.cfm
TTA	TTAT.3G-X.S0008-0 v1.0	1.0	Published	09-12-2005	http://www.tta.or.kr/standardDB/stnfile/TTAT.3G-X.S0008-0 v1.0.zip
TTC	TS-3GB-X.S0008-0v1.0	1.0	Published	03-09-2004	http://www.ttc.or.jp/imt2000/ts/tsxs0008-0v1.0.pdf

10.5.6.1 X.S0008-0 version 2.0 map support for the mobile equipment identity (MEID) (October 2005)

TIA-41 support for the mobile equipment identity (MEID).

	Document No.	Version	Status	Issued date	Location
CCSA	CCSA-TSD-MC-X.S0008-0	2.0	Published	-01-2006	http://www.ccsa.org.cn/english/tc/files.php?docpath=/ITU-T/Q.1742/Q.1742.5
TIA	TIA-928-2[E]		Published	-01-2006	http://www.tiaonline.org/standards/catalog/index.cfm
TTA	TTAT.3G-X.S0008-0 v2.0	2.0	Published	19-04-2006	http://www.tta.or.kr/standardDB/stnfile/TTAT.3G-X.S0008-0 v2.0.zip
TTC	TS-3GB-X.S0008-0v2.0	2.0	Published	25-11-2005	http://www.ttc.or.jp/imt2000/ts/tsxs0008-0v2.0.pdf

10.5.6.2 X.S0008-0 version 3.0 map support for the mobile equipment identity (MEID) (January 2009)

TIA-41 support for the mobile equipment identity (MEID).

	Document No.	Version	Status	Issued date	Location
TTA	TTAT.3G-X.S0008-0 v3.0	3.0	Published	29-01-2010	http://www.tta.or.kr/data/ttasDown.jsp?where=14688&pk_num=TTAT.3G-X.S0008-0 v3.0
TTC	TS-3GB-X.S0008-0v3.0	3.0	Published	15-07-2009	http://www.ttc.or.jp/j/document_list/free/3gpps2009/TS/TS-3GB-X.S0008-0v3.0.pdf

10.5.7 X.S0009-0 version 1.0 wireless intelligent network support for location based services (June 2004)

The purpose of this document is to describe FAM, LBC, LBIS and ECR, and to specify the intersystem operations that enable a wireless system to provide these location-based services.

	Document No.	Version	Status	Issued date	Location
CCSA	CCSA-TSD-MC-X.S0009-0	1.0	Published	-09-2005	http://www.ccsa.org.cn/english/tc/files.php?docpath=/ITU-T/Q.1742/Q.1742.5
TIA	TIA-843		Published	-08-2004	http://www.tiaonline.org/standards/catalog/index.cfm
TTA	TTAT.3G-X.S0009-0 v1.0	1.0	Published	09-12-2005	http://www.tta.or.kr/standardDB/stnfile/TAT.3G-X.S0009-0 v1.0.zip
TTC	TS-3GB-X.S0009-0v1.0	1.0	Published	03-09-2004	http://www.ttc.or.jp/imt2000/ts/tsxs0009-0v1.0.pdf

10.5.8 X.S0010-A version 1.0 pre-paid charging enhancements for circuit-switched data and short message services (5 January 2004)

This document describes the additions and modifications to TIA/EIA/IS-826 [15], wireless intelligent network capabilities for pre-paid charging, to support circuit-switched data and short message services.

	Document No.	Version	Status	Issued date	Location
CCSA	CCSA-TSD-MC-X.S0010-A v1.0	1.0	Published	05-01-2004	http://www.ccsa.org.cn/english/tc/files.php?docpath=/ITU-T/Q.1742
TIA	TIA-826-A		Published	-12-2003	http://www.tiaonline.org/standards/catalog/index.cfm
TTA	TTAT.3G-X.S0010-A v1.0	1.0	Published	15-11-2004	http://www.tta.or.kr/standardDB/stnfile/TAT.3G-X.S0010-A v1.0.zip
TTC	TS-3GB-X.S0010-A v1.0	1.0	Published	28-05-2004	http://www.ttc.or.jp/imt2000/ts/tsxs0010-av1.0.pdf

10.5.9 X.S0011-001-C version 1.0.0 cdma2000 wireless IP network standard: introduction (August 2003)

This specification defines requirements for support of wireless packet data networking capability on a third generation wireless system based on cdma2000. This specification defines the two methods for accessing public networks (Internet) and private networks (intranets): simple IP and mobile IP. It describes the required quality of service, security, mobility management, and accounting capabilities needed to support both methods.

	Document No.	Version	Status	Issued date	Location
CCSA	CCSA-TSD-MC-X.S0011-001-C v1.0.0	1.00	Published	-08-2003	http://www.ccsa.org.cn/english/tc/files.php?docpath=/ITU-T/Q.1742
TIA	TIA-835-C		Published	-08-2003	http://www.tiaonline.org/standards/catalog/index.cfm
TTA	TTAT.3G-X.S0011-001-C v1.0.0	1.0.0	Published	15-11-2004	http://www.tta.or.kr/standardDB/stnfile/TAT.3G-X.S0011-001-C v1.0.0.zip
TTC	TS-3GB-X.S0011-001-Cv1.0.0	1.0.0	Published	28-11-2003	http://www.ttc.or.jp/imt2000/ts/tsxs0011-001-cv1.0.0.pdf

10.5.9.1 X.S0011-001-C version 2.0 cdma2000 wireless IP network standard: introduction (July 2005)

This specification defines requirements for support of wireless packet data networking capability on a third generation wireless system based on cdma2000. This specification supports the services and architecture. This specification defines the two methods for accessing public networks (Internet) and private networks (intranets): simple IP and mobile IP. It describes the required quality of service, security, mobility management, and accounting capabilities needed to support both methods.

	Document No.	Version	Status	Issued date	Location
CCSA	CCSA-TSD-MC-X.S0011-001-C	2.0	Published	-01-2006	http://www.ccsa.org.cn/english/tc/files.php?docpath=/ITU-T/Q.1742/Q.1742_
TIA	TIA-835-C-1		Published	-08-2006	http://www.tiaonline.org/standards/catalog/index.cfm
TTA	TTAT.3G-X.S0011-001-C v2.0	2.0	Published	19-04-2006	http://www.tta.or.kr/standardDB/stnfile/TTAT.3G-X.S0011-001-C v2.0.zip
TTC	TS-3GB-X.S0011-001-Cv2.0	2.0	Published	26-08-2006	http://www.ttc.or.jp/imt2000/ts/tsxs0011-001-cv2.0.pdf

10.5.9.2 X.S0011-001-C version 3.0 cdma2000 wireless IP network standard: introduction (October 2006)

This specification defines requirements for support of wireless packet data networking capability on a third generation wireless system based on cdma2000. This specification supports the services and architecture. This specification defines the two methods for accessing public networks (Internet) and private networks (intranets): simple IP and mobile IP. It describes the required quality of service, security, mobility management, and accounting capabilities needed to support both methods.

	Document No.	Version	Status	Issued date	Location
CCSA	CCSA-X.S0011-001-C v3.0	3.0	Published	31-01-2007	http://www.ccsa.org.cn/english/tc/files.php?docpath=/ITU-T/Q.1742_
TIA	TIA-835-C-2 [E]		Published	-05-2008	http://www.tiaonline.org/standards/catalog/index.cfm
TTA	TTAT.3G-X.S0011-001-C v3.0	3.0	Published	15-02-2007	http://www.tta.or.kr/standardDB/stnfile/TTAT.3G-X.S0011-001-C v3.0.zip
TTC	TS-3GB-X.S0011-001-Cv3.0	3.0	Published	23-02-2007	http://www.ttc.or.jp/imt2000/ts/tsxs0011-001-cv3.0.pdf

10.5.9.3 X.S0011-001-D version 1.0 cdma2000 wireless IP network standard: Introduction (February 2006)

This specification defines requirements for support of wireless packet data networking capability on a third generation wireless system based on cdma2000. This specification supports the services and architecture. This specification defines the two methods for accessing public networks (Internet) and private networks (intranets): simple IP and mobile IP. It describes the required quality of service, security, mobility management, and accounting capabilities needed to support both methods.

	Document No.	Version	Status	Issued date	Location
CCSA	CCSA-X.S0011-001-D v1.0	1.0	Published	31-01-2007	http://www.ccsa.org.cn/english/tc/files.php?docpath=/ITU-T/Q.1742
TTA	TTAT.3G-X.S0011-001-D v1.0	1.0	Published	15-02-2007	http://www.tta.or.kr/standardDB/stnfile/TTAT.3G-X.S0011-001-D v1.0.zip
TTC	TS-3GB-X.S0011-001-Dv1.0	1.0	Published	02-06-2006	http://www.ttc.or.jp/imt2000/ts/tsxs0011-001-dv1.0.pdf

10.5.9.4 X.S0011-001-D version 2.0 cdma2000 wireless IP network standard: introduction (November 2008)

This specification defines requirements for support of wireless packet data networking capability on a third generation wireless system based on cdma2000. This specification supports the services and architecture. This specification defines the two methods for accessing public networks (Internet) and private networks (intranets): simple IP and mobile IP. It describes the required quality of service, security, mobility management, and accounting capabilities needed to support both methods.

	Document No.	Version	Status	Issued date	Location
TTA	TTAT.3G-X.S0011-001-Dv2.0	2.0	Published	29-01-2010	http://www.tta.or.kr/data/ttasDown.jsp?where=14688&pk_num=TTAT.3G-X.S0011-001-D v2.0
TTC	TS-3GB-X.S0011-001-Dv2.0	2.0	Published	06-03-2009	http://www.ttc.or.jp/i/document_list/free/3gpps2009/TS/TS-3GB-X.S0011-001-Dv2.0.pdf

10.5.9.5 X.S0011-002-C version 1.0.0 cdma2000 wireless IP network standard: simple IP and mobile IP access services (August 2003)

This chapter describes the required capabilities at the MS, the PDSN, the HA and the RADIUS servers to provide simple IPv4, simple IPv6 and mobile IPv4 access services over PPP. It describes the mechanisms of updating the DNS with the user's assigned IP address as described in the IP reachability service capability.

	Document No.	Version	Status	Issued date	Location
CCSA	CCSA-TSD-MC-X.S0011-002-C v1.0.0	1.0.0	Published	-08-03	http://www.ccsa.org.cn/english/tc/files.php?docpath=/ITU-T/Q.1742
TIA	TIA-835-C		Published	-08-2003	http://www.tiaonline.org/standards/catalog/index.cfm
TTA	TTAT.3G-X.S0011-002-C v1.0.0	1.0.0	Published	15-11-2004	http://www.tta.or.kr/standardDB/stnfile/TTAT.3G-X.S0011-002-C v1.0.0.zip
TTC	TS-3GB-X.S0011-002-Cv1.0.0	1.0.0	Published	28-11-2003	http://www.ttc.or.jp/imt2000/ts/tsxs0011-002-cv1.0.0.pdf

10.5.9.6 X.S0011-002-C version 2.0 cdma2000 wireless IP network standard: simple IP and mobile IP services (July 2005)

This chapter describes the required capabilities at the MS, the PDSN, the HA and the RADIUS servers to provide simple IPv4, simple IPv6 and mobile IPv4 access services over PPP. It describes the mechanisms of updating the DNS with the user's assigned IP address as described in the IP reachability service capability.

	Document No.	Version	Status	Issued date	Location
CCSA	CCSA-TSD-MC-X.S0011-002-C	2.0	Published	-01-2006	http://www.ccsa.org.cn/english/tc/files.php?docpath=/ITU-T/Q.1742
TIA	TIA-835-C-1		Published	-08-2006	http://www.tiaonline.org/standards/catalog/index.cfm
TTA	TTAT.3G-X.S0011-002-C v2.0	2.0	Published	19-04-2006	http://www.tta.or.kr/standardDB/stnfile/TTAT.3G-X.S0011-002-C v2.0.zip
TTC	TS-3GB-X.S0011-002-Cv2.0	2.0	Published	26-08-2005	http://www.ttc.or.jp/imt2000/ts/tsxs0011-002-cv2.0.pdf

10.5.9.7 X.S0011-002-C version 3.0 cdma2000 wireless IP network standard: simple IP and mobile IP services (October 2006)

This chapter describes the required capabilities at the MS, the PDSN, the HA and the RADIUS servers to provide simple IPv4, simple IPv6 and mobile IPv4 access services over PPP. It describes the mechanisms of updating the DNS with the user's assigned IP address as described in the IP reachability service capability.

	Document No.	Version	Status	Issued date	Location
CCSA	CCSA-X.S0011-002-C v3.0	3.0	Published	31-01-2007	http://www.ccsa.org.cn/english/tc/files.php?docpath=/ITU-T/Q.1742
TIA	TIA-835-C-2 [E]		Published	-05-2008	http://www.tiaonline.org/standards/catalog/index.cfm
TTA	TTAT.3G-X.S0011-002-C v3.0	3.0	Published	15-02-2007	http://www.tta.or.kr/standardDB/stnfile/TTAT.3G-X.S0011-002-C v3.0.zip
TTC	TS-3GB-X.S0011-002-Cv3.0	3.0	Published	23-02-2007	http://www.ttc.or.jp/imt2000/ts/tsxs0011-002-cv3.0.pdf

10.5.9.8 X.S0011-002-D version 1.0 cdma2000 wireless IP network standard: simple IP and mobile IP access services (February 2006)

This chapter describes the basic IP access services: simple IPv4/IPv6, MIP6 and MIP4 with home agent (HA) and/or dynamic home IP address assignment. It also addresses the security requirements between the wireless IP network nodes: PDSN, HA and RADIUS servers.

	Document No.	Version	Status	Issued date	Location
CCSA	CCSA-X.S0011-002-D v1.0	1.0	Published	31-01-2007	http://www.ccsa.org.cn/english/tc/files.php?docpath=/ITU-T/Q.1742
TTA	TTAT.3G-X.S0011-002-D v1.0	1.0	Published	15-02-2007	http://www.tta.or.kr/standardDB/stnfile/TTAT.3G-X.S0011-002-D v1.0.zip
TTC	TS-3GB-X.S0011-002-Dv1.0	1.0	Published	02-06-2006	http://www.ttc.or.jp/imt2000/ts/tsxs0011-002-dv1.0.pdf

10.5.9.9 X.S0011-002-D version 2.0 cdma2000 wireless IP network standard: simple IP and mobile IP access services (November 2008)

This chapter describes the basic IP access services: simple IPv4/IPv6, MIP6 and MIP4 with home agent (HA) and/or dynamic home IP address assignment. It also addresses the security requirements between the wireless IP network nodes: PDSN, HA and RADIUS servers.

	Document No.	Version	Status	Issued date	Location
TTA	TTAT.3G-X.S0011-002-Dv2.0	2.0	Published	29-01-2010	http://www.tta.or.kr/data/ttasDown.jsp?where=14688&pk_num=TTAT.3G-X.S0011-002-D v2.0
TTC	TS-3GB-X.S0011-002-Dv2.0	2.0	Published	06-03-2009	http://www.ttc.or.jp/j/document_list/free/3gpps2009/TS/TS-3GB-X.S0011-002-Dv2.0.pdf

10.5.9.10 X.S0011-003-C version 1.0.0 cdma2000 wireless IP network standard: packet data mobility and resource management (August 2003)

This chapter describes the mechanisms at the PDSN resulting from handoff of an MS from one BS/PCF to another BS/PCF, and which may result in changing the serving PDSN for the MS. This chapter describes an optional fast handoff capability, which is a low latency, low data loss handoff mechanism between PDSNs. Fast handoff mechanism delays re-negotiation of PPP until the MS becomes dormant at the target PDSN. This chapter also describes resource management procedures at the PDSN and the HA that are used following an inter PDSN handoff or under other conditions that require release of resources. Furthermore, a procedure for provisioning the RAN with resource management parameters, such as RN packet data inactivity timers, is specified in this chapter.

	Document No.	Version	Status	Issued date	Location
CCSA	CCSA-TSD-MC-X.S0011-003-C v1.0.0	1.0.0	Published	-08-2003	http://www.ccsa.org.cn/english/tc/files.php?docpath=/ITU-T/Q.1742
TIA	TIA-835-C		Published	-08-2003	http://www.tiaonline.org/standards/catalog/index.cfm
TTA	TTAT.3G-X.S0011-003-C v1.0.0	1.0.0	Published	15-11-2004	http://www.tta.or.kr/standardDB/stnfile/TTAT.3G-X.S0011-003-C v1.0.0.zip
TTC	TS-3GB-X.S0011-003-Cv1.0.0	1.0.0	Published	28-11-2003	http://www.ttc.or.jp/imt2000/ts/tsxs0011-003-cv1.0.0.pdf

10.5.9.11 X.S0011-003-C version 2.0 cdma2000 wireless IP network standard: packet data mobility and resource management (July 2005)

This chapter describes the mechanisms at the PDSN resulting from handoff of an MS from one BS/PCF to another BS/PCF, and which may result in changing the serving PDSN for the MS. This chapter describes an optional fast handoff capability, which is a low latency, low data loss handoff mechanism between PDSNs. Fast handoff mechanism delays re-negotiation of PPP until the MS becomes dormant at the target PDSN. This chapter also describes resource management procedures at the PDSN and the HA that are used following an inter PDSN handoff or under other conditions that require release of resources. Furthermore, a procedure for provisioning the RAN with resource management parameters, such as RN packet data inactivity timers, is specified in this chapter.

	Document No.	Version	Status	Issued date	Location
CCSA	CCSA-TSD-MC-X.S0011-003-C	2.0	Published	-01-2006	http://www.ccsa.org.cn/english/tc/files.php?docpath=/ITU-T/Q.1742
TIA	TIA-835-C-1		Published	-08-2006	http://www.tiaonline.org/standards/catalog/index.cfm
TTA	TTAT.3G-X.S0011-003-C v2.0	2.0	Published	19-04-2006	http://www.tta.or.kr/standardDB/stnfile/TTAT.3G-X.S0011-003-C v2.0.zip
TTC	TS-3GB-X.S0011-003-Cv2.0	2.0	Published	26-08-2005	http://www.ttc.or.jp/imt2000/ts/tsxs0011-003-cv2.0.pdf

10.5.9.12 X.S0011-003-C version 3.0 cdma2000 wireless IP network standard: packet data mobility and resource management (October 2006)

This chapter describes the mechanisms at the PDSN resulting from handoff of an MS from one BS/PCF to another BS/PCF, and which may result in changing the serving PDSN for the MS. This chapter describes an optional fast handoff capability, which is a low latency, low data loss handoff mechanism between PDSNs. Fast handoff mechanism delays re-negotiation of PPP until the MS becomes dormant at the target PDSN. This chapter also describes resource management procedures at the PDSN and the HA that are used following an inter PDSN handoff or under other conditions that require release of resources. Furthermore, a procedure for provisioning the RAN with resource management parameters, such as RN packet data inactivity timers, is specified in this chapter.

	Document No.	Version	Status	Issued date	Location
CCSA	CCSA-X.S0011-003-C v3.0	3.0	Published	31-01-2007	http://www.ccsa.org.cn/english/tc/files.php?docpath=/ITU-T/Q.1742
TIA	TIA-835-C-2 [E]		Published	-05-2008	http://www.tiaonline.org/standards/catalog/index.cfm
TTA	TTAT.3G-X.S0011-003-C v3.0	3.0	Published	15-02-2007	http://www.tta.or.kr/standardDB/stnfile/TTAT.3G-X.S0011-003-C v3.0.zip
TTC	TS-3GB-X.S0011-003-Cv3.0	3.0	Published	23-02-2007	http://www.ttc.or.jp/imt2000/ts/tsxs0011-003-cv3.0.pdf

10.5.9.13 X.S0011-003-D version 1.0 cdma2000 wireless IP network standard: data mobility and resource management (February 2006)

This chapter describes the mechanisms at the PDSN resulting from handoff of an MS from one BS/PCF to another BS/PCF, and which may result in changing the serving PDSN for the MS. This chapter describes an optional fast handoff capability, which is a low latency, low data loss handoff mechanism between PDSNs. Fast handoff mechanism delays re-negotiation of PPP until the MS becomes dormant at the target PDSN. This chapter also describes resource management procedures at the PDSN and the HA that are used following an inter PDSN handoff or under other conditions that require release of resources. Furthermore, a procedure for provisioning the RAN with resource management parameters, such as RN packet data inactivity timers, is specified in this chapter.

	Document No.	Version	Status	Issued date	Location
CCSA	CCSA-X.S0011-003-D v1.0	1.0	Published	31-01-2007	http://www.ccsa.org.cn/english/tc/files.php?docpath=/ITU-T/Q.1742
TTA	TTAT.3G-X.S0011-003-D v1.0	1.0	Published	15-02-2007	http://www.tta.or.kr/standardDB/stnfile/TTAT.3G-X.S0011-003-D v1.0.zip
TTC	TS-3GB-X.S0011-003-Dv1.0	1.0	Published	02-06-2006	http://www.ttc.or.jp/imt2000/ts/tsxs0011-003-dv1.0.pdf

10.5.9.14 X.S0011-003-D version 2.0 cdma2000 wireless IP network standard: data mobility and resource management (November 2008)

This chapter describes the mechanisms at the PDSN resulting from handoff of an MS from one BS/PCF to another BS/PCF, and which may result in changing the serving PDSN for the MS. This chapter describes an optional fast handoff capability, which is a low latency, low data loss handoff mechanism between PDSNs. Fast handoff mechanism delays re-negotiation of PPP until the MS becomes dormant at the target PDSN. This chapter also describes resource management procedures at the PDSN and the HA that are used following an inter PDSN handoff or under other conditions that require release of resources. Furthermore, a procedure for provisioning the RAN with resource management parameters, such as RN packet data inactivity timers, is specified in this chapter.

	Document No.	Version	Status	Issued date	Location
TTA	TTAT.3G-X.S0011-003-Dv2.0	2.0	Published	29-01-2010	http://www.tta.or.kr/data/ttasDown.jsp?where=14688&pk_num=TTAT.3G-X.S0011-003-Dv2.0
TTC	TS-3GB-X.S0011-003-Dv2.0	2.0	Published	06-03-2009	http://www.ttc.or.jp/j/document_list/free/3gpps2009/TS/TS-3GB-X.S0011-003-Dv2.0.pdf

10.5.9.15 X.S0011-004-C version 1.0.0 cdma2000 wireless IP network standard: quality of service and header reduction (August 2003)

This chapter describes flow mapping/treatment mechanisms and protocol used when more than one service instance is established for the MS. It also describes two optional header reduction techniques that are specific to service instances of SO types 60 and 61, that may be established by the MS for applications that require a synchronous flow of 20 ms frames, such as VoIP application.

	Document No.	Version	Status	Issued date	Location
CCSA	CCSA-TSD-MC-X.S0011-004-C v1.0.0	1.0.0	Published	-08-2003	http://www.ccsa.org.cn/english/tc/files.php?docpath=/ITU-T/Q.1742
TIA	TIA-835-C		Published	-08-2003	http://www.tiaonline.org/standards/catalog/index.cfm
TTA	TTAT.3G-X.S0011-004-C v1.0.0	1.0.0	Published	15-11-2004	http://www.tta.or.kr/standardDB/stnfile/TTAT.3G-X.S0011-004-C v1.0.0.zip
TTC	TS-3GB-X.S0011-004-Cv1.0.0	1.0.0	Published	28-11-2003	http://www.ttc.or.jp/imt2000/ts/tsxs0011-004-cv1.0.0.pdf

10.5.9.16 X.S0011-004-C version 2.0 cdma2000 wireless IP network standard: quality of service and header reduction (July 2005)

This chapter describes flow mapping/treatment mechanisms and protocol used when more than one service instance is established for the MS. It also describes two optional header reduction techniques that are specific to service instances of SO types 60 and 61, that may be established by the MS for applications that require a synchronous flow of 20 ms frames, such as VoIP application.

	Document No.	Version	Status	Issued date	Location
CCSA	CCSA-TSD-MC-X.S0011-004-C	2.0	Published	-01-2006	http://www.ccsa.org.cn/english/tc/files.php?docpath=/ITU-T/Q.1742
TIA	TIA-835-C-1		Published	-08-2006	http://www.tiaonline.org/standards/catalog/index.cfm
TTA	TTAT.3G-X.S0011-004-C v2.0	2.0	Published	19-04-2006	http://www.tta.or.kr/standardDB/stnfile/TTAT.3G-X.S0011-004-C v2.0.zip
TTC	TS-3GB-X.S0011-004-Cv2.0	2.0	Published	26-08-2005	http://www.ttc.or.jp/imt2000/ts/tsxs0011-004-cv2.0.pdf

10.5.9.17 X.S0011-004-C version 3.0 cdma2000 wireless IP network standard: quality of service and header reduction (October 2006)

This chapter describes flow mapping/treatment mechanisms and protocol used when more than one service instance is established for the MS. It also describes two optional header reduction techniques that are specific to service instances of SO types 60 and 61, that may be established by the MS for applications that require a synchronous flow of 20 ms frames, such as VoIP application.

	Document No.	Version	Status	Issued date	Location
CCSA	CCSA-X.S0011-004-C v3.0	3.0	Published	31-01-2007	http://www.ccsa.org.cn/english/tc/files.php?docpath=/ITU-T/Q.1742
TIA	TIA-835-C-2 [E]		Published	-05-2008	http://www.tiaonline.org/standards/catalog/index.cfm
TTA	TTAT.3G-X.S0011-004-C v3.0	3.0	Published	15-02-2007	http://www.tta.or.kr/standardDB/stnfile/TTAT.3G-X.S0011-004-C v3.0.zip
TTC	TS-3GB-X.S0011-004-Cv3.0	3.0	Published	23-02-2007	http://www.ttc.or.jp/imt2000/ts/tsxs0011-004-cv3.0.pdf

10.5.9.18 X.S0011-004-D version 1.0 cdma2000 wireless IP network standard: quality of service and header reduction (February 2006)

This chapter describes flow mapping/treatment mechanisms and protocols used when more than one service connection is established between the MS and the PDSN. Furthermore, a signalling mechanism between the MS, the RAN, and the PDSN is presented in this chapter to support QoS on a per application flow basis. It also describes two optional header reduction techniques that are specific to service instances of SO types 60 and 61, which may be established by the MS for applications that require a synchronous flow of 20 ms frames, such as VoIP application. This chapter also specifies the requirement and procedures for MS and PDSN to support SO type 67.

	Document No.	Version	Status	Issued date	Location
CCSA	CCSA-X.S0011-004-D v1.0	1.0	Published	31-01-2007	http://www.ccsa.org.cn/english/tc/files.php?docpath=/ITU-T/Q.1742
TTA	TTAT.3G-X.S0011-004-D v1.0	1.0	Published	15-02-2007	http://www.tta.or.kr/standardDB/stnfile/TTAT.3G-X.S0011-004-D v1.0.zip
TTC	TS-3GB-X.S0011-004-Dv1.0	1.0	Published	02-06-2006	http://www.ttc.or.jp/imt2000/ts/tsxs0011-004-dv1.0.pdf

10.5.9.19 X.S0011-004-D version 2.0 cdma2000 wireless IP network standard: quality of service and header reduction (November 2008)

This chapter describes flow mapping/treatment mechanisms and protocols used when more than one service connection is established between the MS and the PDSN. Furthermore, a signalling mechanism between the MS, the RAN, and the PDSN is presented in this chapter to support QoS on a per application flow basis. It also describes two optional header reduction techniques that are specific to service instances of SO types 60 and 61, which may be established by the MS for applications that require a synchronous flow of 20 ms frames, such as VoIP application. This chapter also specifies the requirement and procedures for MS and PDSN to support SO type 67.

	Document No.	Version	Status	Issued date	Location
TTA	TTAT.3G-X.S0011-004-Dv2.0	2.0	Published	29-01-2010	http://www.tta.or.kr/data/ttasDown.jsp?where=14688&pk_num=TTAT.3G-X.S0011-004-D v2.0
TTC	TS-3GB-X.S0011-004-Dv2.0	2.0	Published	06-03-2009	http://www.ttc.or.jp/j/document_list/free/3gpps2009/TS/TS-3GB-X.S0011-004-Dv2.0.pdf

10.5.9.20 X.S0011-005-C version 1.0.0 cdma2000 wireless IP network standard: accounting services and 3GPP2 RADIUS VSAs (August 2003)

This chapter described the off-line accounting procedures and the usage data records. It describes all the 3GPP2 VSAs used to support the capabilities described in this series of specifications X.S0011-001-C to X.S0011-006-C.

	Document No.	Version	Status	Issued date	Location
CCSA	CCSA-TSD-MC-X.S0011-005-C v1.0.0	1.0.0	Published	-08-2003	http://www.ccsa.org.cn/english/tc/files.php?docpath=/ITU-T/Q.1742
TIA	TIA-835-C		Published	-08-2003	http://www.tiaonline.org/standards/catalog/index.cfm
TTA	TTAT.3G-X.S0011-005-C V1.0.0	1.0.0	Published	15-11-2004	http://www.tta.or.kr/standardDB/stnfile/TTAT.3G-X.S0011-005-C v1.0.0.zip
TTC	TS-3GB-X.S0011-005-Cv1.0.0	1.0.0	Published	28-11-2003	http://www.ttc.or.jp/imt2000/ts/tsxs0011-005-cv100.pdf

10.5.9.21 X.S0011-005-C version 2.0 cdma2000 wireless IP network standard: accounting services and 3GPP2 RADIUS VSAs (July 2005)

This chapter describes the off-line accounting procedures and the usage data records. It describes all the 3GPP2 VSAs used to support the capabilities described in this series of specifications X.S0011-001-C to X.S0011-006-C.

	Document No.	Version	Status	Issued date	Location
CCSA	CCSA-TSD-MC-X.S0011-005-C	2.0	Published	-01-2006	http://www.ccsa.org.cn/english/tc/files.php?docpath=/ITU-T/Q.1742
TIA	TIA-835-C-1		Published	-08-2006	http://www.tiaonline.org/standards/catalog/index.cfm
TTA	TTAT.3G-X.S0011-005-C v2.0	2.0	Published	19-04-2006	http://www.tta.or.kr/standardDB/stnfile/TTAT.3G-X.S0011-005-C v2.0.zip
TTC	TS-3GB-X.S0011-005-Cv2.0	2.0	Published	26-08-2005	http://www.ttc.or.jp/imt2000/ts/tsxs0011-005-cv2.0.pdf

10.5.9.22 X.S0011-005-C version 3.0 cdma2000 wireless IP network standard: accounting services and 3GPP2 RADIUS VSAs (October 2006)

This chapter describes the off-line accounting procedures and the usage data records. It describes all the 3GPP2 VSAs used to support the capabilities described in this series of specifications X.S0011-001-C to X.S0011-006-C.

	Document No.	Version	Status	Issued date	Location
CCSA	CCSA-X.S0011-005-C v3.0	3.0	Published	31-01-2007	http://www.ccsa.org.cn/english/tc/files.php?docpath=/ITU-T/Q.1742
TIA	TIA-835-C-2 [E]		Published	-05-2008	http://www.tiaonline.org/standards/catalog/index.cfm
TTA	TTAT.3G-X.S0011-005-C v3.0	3.0	Published	15-02-2007	http://www.tta.or.kr/standardDB/stnfile/TTAT.3G-X.S0011-005-C v3.0.zip
TTC	TS-3GB-X.S0011-005-Cv3.0	3.0	Published	23-02-2007	http://www.ttc.or.jp/imt2000/ts/tsxs0011-005-cv3.0.pdf

10.5.9.23 X.S0011-005-D version 1.0 cdma2000 wireless IP network standard: accounting services and 3GPP2 RADIUS VSAs (February 2006)

This chapter describes the off-line accounting procedures and the usage data records. It describes all the 3GPP2 VSAs used to support the capabilities described in this series of standards [Chapters 1-6].

	Document No.	Version	Status	Issued date	Location
CCSA	CCSA-X.S0011-005-D v1.0	1.0	Published	31-01-2007	http://www.ccsa.org.cn/english/tc/files.php?docpath=/ITU-T/Q.1742
TTA	TTAT.3G-X.S0011-005-D v1.0	1.0	Published	15-02-2007	http://www.tta.or.kr/standardDB/stnfile/TTAT.3G-X.S0011-005-D v1.0.zip
TTC	TS-3GB-X.S0011-005-Dv1.0	1.0	Published	02-06-2006	http://www.ttc.or.jp/imt2000/ts/tsxs0011-005-dv1.0.pdf

10.5.9.24 X.S0011-005-D version 2.0 cdma2000 wireless IP network standard: accounting services and 3GPP2 RADIUS VSAs (November 2008)

This chapter describes the off-line accounting procedures and the usage data records. It describes all the 3GPP2 VSAs used to support the capabilities described in this series of standards [Chapters 1-6].

	Document No.	Version	Status	Issued date	Location
TTA	TTAT.3G-X.S0011-005-Dv2.0	2.0	Published	29-01-2010	http://www.tta.or.kr/data/ttasDown.jsp?where=14688&pk_num=TTAT.3G-X.S0011-005-D v2.0
TTC	TS-3GB-X.S0011-005-Dv2.0	2.0	Published	06-03-2009	http://www.ttc.or.jp/j/document_list/free/3gpps2009/TS/TS-3GB-X.S0011-005-Dv2.0.pdf

10.5.9.25 X.S0011-006-C version 1.0.0 cdma2000 wireless IP network standard: prepaid packet data service (August 2003)

Support for prepaid packet data services is optional in this specification. The prepaid packet data service allows a user to purchase packet data service in advance, based on volume or duration. In order to support prepaid packet data service, the PDSN and/or the HA shall support the prepaid client (PPC) function and the prepaid server (PPS) function may be co-located with the home RADIUS server.

	Document No.	Version	Status	Issued date	Location
CCSA	CCSA-TSD-MC-X.S0011-006-C v1.0.0	1.0.0	Published	-08-2003	http://www.ccsa.org.cn/english/tc/files.php?docpath=/ITU-T/Q.1742
TIA	TIA-835-C		Published	-08-2003	http://www.tiaonline.org/standards/catalog/index.cfm
TTA	TTAT.3G-X.S0011-006-C v1.0.0	1.0.0	Published	15-11-2004	http://www.tta.or.kr/standardDB/stnfile/TTAT.3G-X.S0011-006-C v1.0.0.zip
TTC	TS-3GB-X.S0011-006-Cv1.0.0	1.0.0	Published	28-11-2003	http://www.ttc.or.jp/imt2000/ts/tsxs0011-006-cv1.0.0.pdf

10.5.9.26 X.S0011-006-C version 2.0 cdma2000 wireless IP network standard: prepaid packet data services (July 2005)

Support for prepaid packet data services is optional in this specification. The prepaid packet data service allows a user to purchase packet data service, in advance, based on volume or duration. In order to support prepaid packet data service, the PDSN and/or the HA shall support the prepaid client (PPC) function and the prepaid server (PPS) function may be co-located with the home RADIUS server. In this revision of the specification, the prepaid packet data service supports a set of capabilities as described in section 3. Additional capabilities may be supported in future revisions of this specification.

	Document No.	Version	Status	Issued date	Location
CCSA	CCSA-TSD-MC-X.S0011-006-C	2.0	Published	-01-2006	http://www.ccsa.org.cn/english/tc/files.php?docpath=/ITU-T/Q.1742
TIA	TIA-835-C-1		Published	-08-2006	http://www.tiaonline.org/standards/catalog/index.cfm
TTA	TTAT.3G-X.S0011-006-C v2.0	2.0	Published	19-04-2006	http://www.tta.or.kr/standardDB/stnfile/TTAT.3G-X.S0011-006-C v2.0.zip
TTC	TS-3GB-X.S0011-006-Cv2.0	2.0	Published	26-08-2005	http://www.ttc.or.jp/imt2000/ts/tsxs0011-006-cv2.0.pdf

10.5.9.27 X.S0011-006-C version 3.0 cdma2000 wireless IP network standard: prepaid packet data services (October 2006)

Support for prepaid packet data services is optional in this specification. The prepaid packet data service allows a user to purchase packet data service in advance, based on volume or duration. In order to support prepaid packet data service, the PDSN and/or the HA shall support the prepaid client (PPC) function and the prepaid server (PPS) function may be co-located with the home RADIUS server. In this revision of the specification, the prepaid packet data service supports a set of capabilities as described in section 1. Additional capabilities may be supported in future revisions of this specification.

	Document No.	Version	Status	Issued date	Location
CCSA	CCSA-X.S0011-006-C v3.0	3.0	Published	31-01-2007	http://www.ccsa.org.cn/english/tc/files.php?docpath=/ITU-T/Q.1742
TIA	TIA-835-C-2 [E]		Published	-05-2008	http://www.tiaonline.org/standards/catalog/index.cfm
TTA	TTAT.3G-X.S0011-006-C v3.0	3.0	Published	15-02-2007	http://www.tta.or.kr/standardDB/stnfile/TTAT.3G-X.S0011-006-C v3.0.zip
TTC	TS-3GB-X.S0011-006-Cv3.0	3.0	Published	23-02-3007	http://www.ttc.or.jp/imt2000/ts/tsxs0011-006-cv3.0.pdf

10.5.9.28 X.S0011-006-D version 1.0 cdma2000 wireless IP network standard: prepaid packet data services (February 2006)

Support for prepaid packet data services is optional in this specification. The prepaid packet data service allows a user to purchase packet data service in advance, based on volume or duration. In order to support prepaid packet data service, the PDSN and/or the HA shall support the prepaid client (PPC) function and the prepaid server (PPS) function may be co-located with the home RADIUS server. In this revision of the specification, the prepaid packet data service supports a set of capabilities as described in section 3. Additional capabilities may be supported in future revisions of this specification.

	Document No.	Version	Status	Issued date	Location
CCSA	CCSA-X.S0011-006-D v1.0	1.0	Published	31-01-2007	http://www.ccsa.org.cn/english/tc/files.php?docpath=/ITU-T/Q.1742
TTA	TTAT.3G-X.S0011-006-D v1.0	1.0	Published	15-02-2007	http://www.tta.or.kr/standardDB/stnfile/TTAT.3G-X.S0011-006-D v1.0.zip
TTC	TS-3GB-X.S0011-006-Dv1.0	1.0	Published	02-06-2006	http://www.ttc.or.jp/imt2000/ts/tsxs0011-006-dv1.0.pdf

10.5.9.29 X.S0011-006-D version 2.0 cdma2000 wireless IP network standard: prepaid packet data services (November 2008)

Support for prepaid packet data services is optional in this specification. The prepaid packet data service allows a user to purchase packet data service in advance, based on volume or duration. In order to support prepaid packet data service, the PDSN and/or the HA shall support the prepaid

client (PPC) function and the prepaid server (PPS) function may be co-located with the home RADIUS server. In this revision of the specification, the prepaid packet data service supports a set of capabilities as described in section 3. Additional capabilities may be supported in future revisions of this specification.

	Document No.	Version	Status	Issued date	Location
TTA	TTAT.3G-X.S0011-006-Dv2.0	2.0	Published	29-01-2010	http://www.tta.or.kr/data/tasDown.jsp?w here=14688&pk_num=TTAT.3G-X.S0011-006-D v2.0
TTC	TS-3GB-X.S0011-006-Dv2.0	2.0	Published	06-03-2009	http://www.ttc.or.jp/i/document_list/free/3gpps2009/TS/TS-3GB-X.S0011-006-Dv2.0.pdf

10.5.10 X.S0012-0 version 2.0 legacy MS domain step 1 (March 2004)

This recommendation supports the 3GPP2 all-IP step 1 evolution path by providing stages 1, 2 and 3 for the architecture identified. The legacy MS Domain provides support for existing MSs in an IP core network environment. The legacy MS Domain supports the features and capabilities provided in a legacy network in a manner transparent to the user. New features and capabilities supported by the IP core network may be made available to subscribers where they are supported by MS capabilities.

	Document No.	Version	Status	Issued date	Location
CCSA	CCSA-TSD-MC-X.S0012-0 v2.0	2.0	Published	-03-2004	http://www.ccsa.org.cn/english/tc/files.php?docpath=/ITU-T/Q.1742
TIA	TIA-872-A		Published	-05-2004	http://www.tiaonline.org/standards/catalog/index.cfm
TTA	TTAT.3G-X.S0012-0 v2.0	2.0	Published	15-11-2004	http://www.tta.or.kr/standardDB/stnfile/TTAT.3G-X.S0012-0 v2.0.zip
TTC	TS-3GB-X.S0012-0v2.0	2.0	Published	28-05-2004	http://www.ttc.or.jp/imt2000/ts/tsxs0012-0v2.0.pdf

10.5.11 X.S0013-000-0 version 1.0 all-IP core network multimedia domain overview (December 2003)

This document contains the introduction of the stage 1, stage 2 , and stage 3 recommendations for the 3GPP2 all-IP multimedia domain. It includes an overview of the system elements and interfaces and lists the series of documents that provide the complete specifications for the core network portions of the MMD. Not all MMD entities and interfaces may be covered by this version of this series of specifications. The specific entities and interfaces covered by a particular version are identified in each of the individual specifications.

	Document No.	Version	Status	Issued date	Location
CCSA	CCSA-TSD-MC-X.S0013-000-0 v1.0	1.0	Published	-12-2003	http://www.ccsa.org.cn/english/tc/files.php?docpath=/ITU-T/Q.1742
TIA	TIA-873.000		Published	-12-2003	http://www.tiaonline.org/standards/catalog/index.cfm
TTA	TTAT.3G-X.S0013-000-0 v1.0	1.0	Published	15-11-2004	http://www.tta.or.kr/standardDB/stnfile/TTAT.3G-X.S0013-000-0 v1.0.zip
TTC	TS-3GB-X.S0013-000-0v1.0	1.0	Published	28-05-2004	http://www.ttc.or.jp/imt2000/ts/tsxs0013-000-0v1.0.pdf

10.5.11.1 X.S0013-000-0 version 2.0 all-IP core network multimedia domain overview (July 2005)

The multimedia domain (MMD) is a CDMA-based wireless network providing third generation capabilities and based on IP protocols, elements and principles. This document provides an introduction to the core network elements and interfaces that make up a portion of the MMD. This document also introduces the series of documents that provide the complete specification of the core network interfaces and protocols that provide this part of the MMD capabilities.

	Document No.	Version	Status	Issued date	Location
CCSA	CCSA-TSD-MC-X.S0013-000-0	2.0	Published	-01-2006	http://www.ccsa.org.cn/english/tc/files.php?docpath=/ITU-T/Q.1742
TIA	TIA-873.000-1[E]		Published	-05-2006	http://www.tiaonline.org/standards/catalog/index.cfm
TTA	TTAT.3G-X.S0013-000-0 v2.0	2.0	Published	19-04-2006	http://www.tta.or.kr/standardDB/stnfile/TTAT.3G-X.S0013-000-0 v2.0.zip
TTC	TS-3GB-X.S0013-000-0v2.0	2.0	Published	25-11-2005	http://www.ttc.or.jp/imt2000/ts/sxs0013-000-0v2.0.pdf

10.5.11.2 X.S0013-000-A version 1.0 all-IP core network multimedia domain overview (November 2005)

The multimedia domain (MMD) is a collection of core network entities providing third generation capabilities and based on IP protocols, elements and principles. This document provides an introduction to the core network elements and interfaces that make up a portion of the MMD. This document also introduces the series of documents that provide the complete specification of the core network interfaces and protocols that provide this part of the MMD capabilities.

	Document No.	Version	Status	Issued date	Location
CCSA	CCSA-TSD-MC-X.S0013-000-A	1.0	Published	-01-2006	http://www.ccsa.org.cn/english/tc/files.php?docpath=/ITU-T/Q.1742
TIA	TIA-873.000-A		Published	-05-2006	http://www.tiaonline.org/standards/catalog/index.cfm
TTA	TTAT.3G-X.S0013-000-A v1.0	1.0	Published	19-04-2006	http://www.tta.or.kr/standardDB/stnfile/TTAT.3G-X.S0013-000-A v1.0.zip
TTC	TS-3GB-X.S0013-000-A v1.0	1.0	Published	02-06-2006	http://www.ttc.or.jp/j/document_list/free/TS/TS-3GB-X.S0013-000-A v1.0.pdf

10.5.11.3 X.S0013-000-B version 1.0 all-IP core network multimedia domain overview (December 2007)

This document contains the introduction of the stage 1, stage 2 and stage 3 recommendations for the multimedia domain.

	Document No.	Version	Status	Issued date	Location
TIA	TIA-873.000-B		Published	-06-2009	http://www.tiaonline.org/standards/catalog/index.cfm
TTA	TTAT.3G-X.S0013-000-Bv1.0	1.0	Published	29-01-2010	http://www.tta.or.kr/data/ttasDown.jsp?where=14688&pk_num=TTAT.3G-X.S0013-000-B v1.0

10.5.11.4 X.S0013-002-0 version 1.0 all-IP core network multimedia domain IP multimedia subsystem – stage 2 (December 2003)

This document defines stage 2 service description for the IP multimedia core network subsystem (IMS), which includes the elements necessary to support IP multimedia (IM) services in PLMNs

and perhaps other networks. This document identifies the mechanisms to enable support for IP multimedia applications.

	Document No.	Version	Status	Issued date	Location
CCSA	CCSA-TSD-MC-X.S0013-002-0v1.0	1.0	Published	-12-2003	http://www.ccsa.org.cn/english/tc/files.php?docpath=/ITU-T/Q.1742
TIA	TIA-873.002		Published	-12-2003	http://www.tiaonline.org/standards/catalog/index.cfm
TTA	TTAT.3G-X.S0013-002-0 v1.0	1.0	Published	15-11-2004	http://www.tta.or.kr/standardDB/stnfile/TTAT.3G-X.S0013-002-0 v1.0.zip
TTC	TS-3GB-X.S0013-002-0v1.0	1.0	Published	28-05-2004	http://www.ttc.or.jp/imt2000/ts/tsxs0013-002-0v1.0.pdf

10.5.11.5 X.S0013-002-A version 1.0 all-IP core network multimedia domain IP multimedia subsystem – stage 2 (November 2005)

This document defines stage 2 service description for the IP multimedia core network subsystem (IMS), which includes the elements necessary to support IP multimedia (IM) services. Recommendation ITU-T I.130 describes a three-stage method for characterization of telecommunication services, and Recommendation ITU-T Q.65 defines stage 2 of the method. This document identifies the mechanisms to enable support for IP multimedia applications. In order to align IP multimedia applications wherever possible with non-IMS IP applications, the general approach is to adopt non-IMS specific IP based solutions.

	Document No.	Version	Status	Issued date	Location
CCSA	CCSA-TSD-MC-X.S0013-002-A	1.0	Published	-01-2006	http://www.ccsa.org.cn/english/tc/files.php?docpath=/ITU-T/Q.1742
TIA	TIA-873.002-A		Published	-05-2006	http://www.tiaonline.org/standards/catalog/index.cfm
TTA	TTAT.3G-X.S0013-002-A v1.0	1.0	Published	19-04-2006	http://www.tta.or.kr/standardDB/stnfile/TTAT.3G-X.S0013-002-A v1.0.zip
TTC	TS-3GB-X.S0013-002-A v1.0	1.0	Published	02-06-2006	http://www.ttc.or.jp/j/document_list/free/TS/TS-3GB-X.S0013-002-Av1.0.pdf

10.5.11.6 X.S0013-002-B version 1.0 all-IP core network multimedia domain IP multimedia subsystem – stage 2 (December 2007)

This document defines the stage 2 service description for the IP multimedia core network subsystem (IMS), which includes the elements necessary to support IP multimedia (IM) services.

	Document No.	Version	Status	Issued date	Location
TIA	TIA-873.002-B		Published	-06-2009	http://www.tiaonline.org/standards/catalog/index.cfm
TTA	TTAT.3G-X.S0013-002-Bv1.0	1.0	Published	29-01-2010	http://www.tta.or.kr/data/ttasDown.jsp?where=14688&pk_num=TTAT.3G-X.S0013-002-B v1.0

10.5.11.7 X.S0013-003-0 version 1.0 all-IP core network multimedia domain IP multimedia (IMS) session handling; IP multimedia (IM) call model; stage 2 (December 2003)

This document specifies the IP multimedia (IM) call model for handling of an IP multimedia session origination and termination for an IP multimedia subscriber.

	Document No.	Version	Status	Issued date	Location
CCSA	CCSA-TSD-MC-X.S0013-003-0 v1.0	1.0	Published	-12-2003	http://www.ccsa.org.cn/english/tc/files.php?docpath=/ITU-T/Q.1742
TIA	TIA-873.003		Published	-12-2003	http://www.tiaonline.org/standards/catalog/index.cfm
TTA	TTAT.3G-X.S0013-003-0 v1.0	1.0	Published	15-11-2004	http://www.tta.or.kr/standardDB/stnfile/TTAT.3G-X.S0013-003-0 v1.0.zip
TTC	TS-3GB-X.S0013-003-0v1.0	1.0	Published	28-05-2004	http://www.ttc.or.jp/imt2000/ts/tsxs0013-003-0v1.0.pdf

10.5.11.8 X.S0013-003-0 version 2.0 all-IP core network multimedia domain IP multimedia (IMS) session handling; IP multimedia (IM) call model; stage 2 (July 2005)

This document specifies the IP multimedia (IM) call model for handling of an IP multimedia session origination and termination for an IP multimedia subscriber.

	Document No.	Version	Status	Issued date	Location
CCSA	CCSA-TSD-MC-X.S0013-003-0	2.0	Published	-01-2006	http://www.ccsa.org.cn/english/tc/files.php?docpath=/ITU-T/Q.1742
TIA	TIA-873.003-1[E]		Published	-05-2006	http://www.tiaonline.org/standards/catalog/index.cfm
TTA	TTAT.3G-X.S0013-003-0 v2.0	2.0	Published	19-04-2006	http://www.tta.or.kr/standardDB/stnfile/TTAT.3G-X.S0013-003-0 v2.0.zip
TTC	TS-3GB-X.S0013-003-0v2.0	2.0	Published	25-11-2005	http://www.ttc.or.jp/imt2000/ts/tsxs0013-003-0v2.0.pdf

10.5.11.9 X.S0013-003-A version 1.0 all-IP core network multimedia domain IP multimedia (IMS) session handling; IP multimedia (IM) call model; stage 2 (November 2005)

This document specifies the IP multimedia (IM) call model for handling of an IP multimedia session origination and termination for an IP multimedia subscriber.

	Document No.	Version	Status	Issued date	Location
CCSA	CCSA-TSD-MC-X.S0013-003-A	1.0	Published	-01-2006	http://www.ccsa.org.cn/english/tc/files.php?docpath=/ITU-T/Q.1742
TIA	TIA-873.003-A		Published	-06-2009	http://www.tiaonline.org/standards/catalog/index.cfm
TTA	TTAT.3G-X.S0013-003-A v1.0	1.0	Published	19-04-2006	http://www.tta.or.kr/standardDB/stnfile/TTAT.3G-X.S0013-003-A v1.0.zip
TTC	TS-3GB-X.S0013-A v1.0	1.0	Published	02-06-2006	http://www.ttc.or.jp/j/document_list/free/TS/TS-3GB-X.S0013-003-Av1.0.pdf

10.5.11.10 X.S0013-003-B version 1.0 all-IP core network multimedia domain IP multimedia (IMS) session handling; IP multimedia (IM) call model; stage 2 (December 20007)

This document specifies the IP multimedia (IM) call model for handling of an IP multimedia session origination and termination for an IP multimedia subscriber.

	Document No.	Version	Status	Issued date	Location
TIA	TIA-873.003-B		Published	-06-2009	http://www.tiaonline.org/standards/catalog/index.cfm
TTA	TTAT.3G-X.S0013-003-Bv1.0	1.0	Published	29-01-2010	http://www.tta.or.kr/data/ttasDown.jsp?where=14688&pk_num=TTAT.3G-X.S0013-003-B v1.0

10.5.11.11 X.S0013-004-0 version 1.0 all-IP core network multimedia domain IP multimedia call control protocol based on SIP and SDP stage 3 (December 2003)

This document defines a call control protocol for use in the IP multimedia (IM) core network (CN) subsystem based on the session initiation protocol (SIP) and the associated session description protocol (SDP).

	Document No.	Version	Status	Issued date	Location
CCSA	CCSA-TSD-MC-X.S0013-004-0 v1.0	1.0	Published	-12-2003	http://www.ccsa.org.cn/english/tc/files.php?docpath=/ITU-T/Q.1742
TIA	TIA-873.004		Published	-12-2003	http://www.tiaonline.org/standards/catalog/index.cfm
TTA	TTAT.3G-X.S0013-004-0 v1.0	1.0	Published	15-11-2004	http://www.tta.or.kr/standardDB/stnfile/TTAT.3G-X.S0013-004-0 v1.0.zip
TTC	TS-3GB-X.S0013-004-0v1.0	1.0	Published	28-05-2004	http://www.ttc.or.jp/imt2000/ts/tsxs0013-004-0v1.0.pdf

10.5.11.12 X.S0013-004-0 version 2.0 all-IP core network multimedia domain IP multimedia call control protocol based on SIP and SDP stage 3 (July 2005)

This document defines a call control protocol for use in the IP multimedia (IM) core network (CN) subsystem based on the session initiation protocol (SIP), and the associated session description protocol (SDP).

	Document No.	Version	Status	Issued date	Location
CCSA	CCSA-TSD-MC-X.S0013-004-0	2.0	Published	-01-2006	http://www.ccsa.org.cn/english/tc/files.php?docpath=/ITU-T/Q.1742
TIA	TIA-873.004-1[E]		Published	-06-2006	http://www.tiaonline.org/standards/catalog/index.cfm
TTA	TTAT.3G-X.S0013-004-0 v2.0	2.0	Published	19-04-2006	http://www.tta.or.kr/standardDB/stnfile/TTAT.3G-X.S0013-004-0 v2.0.zip
TTC	TS-3GB-X.S0013-004-0v2.0	2.0	Published	25-11-2005	http://www.ttc.or.jp/imt2000/ts/tsxs0013-004-0v2.0.pdf

10.5.11.13 X.S0013-004-A version 1.0 all-IP core network multimedia domain IP multimedia call control protocol based on SIP and SDP stage 3 (November 2005)

This document defines a call control protocol for use in the IP multimedia (IM) core network (CN) subsystem based on the session initiation protocol (SIP) and the associated session description protocol (SDP).

	Document No.	Version	Status	Issued date	Location
CCSA	CCSA-TSD-MC-X.S0013-004-A	1.0	Published	-01-2006	http://www.ccsa.org.cn/english/tc/files.php?docpath=/ITU-T/Q.1742
TIA	TIA-873.004-A		Published	-06-2009	http://www.tiaonline.org/standards/catalog/index.cfm
TTA	TTAT.3G-X.S0013-004-A v1.0	1.0	Published	19-04-2006	http://www.tta.or.kr/standardDB/stnfile/TTAT.3G-X.S0013-004-A v1.0.zip
TTC	TS-3GB-X.S0013-004-A v1.0	1.0	Published	02-06-2006	http://www.ttc.or.jp/j/document_list/free/TS/TS-3GB-X.S0013-004-Av1.0.pdf

10.5.11.14 X.S0013-004-B version 1.0 all-IP core network multimedia domain IP multimedia call control protocol based on SIP and SDP stage 3 (December 2007)

This document defines a call control protocol for use in the IP multimedia (IM) core network (CN) subsystem based on the session initiation protocol (SIP), and the associated session description protocol (SDP).

	Document No.	Version	Status	Issued date	Location
TIA	TIA-873.004-B		Published	-06-2009	http://www.tiaonline.org/standards/catalog/index.cfm
TTA	TTAT.3G-X.S0013-004-Bv1.0	1.0	Published	29-01-2010	http://www.tta.or.kr/data/ttasDown.jsp?where=14688&pk_num=TTAT.3G-X.S0013-004-B v1.0

10.5.11.15 X.S0013-005-0 version 1.0 all-IP core network multimedia domain IP multimedia subsystem Cx interface signaling flows and message contents (December 2003)

This specification specifies the interactions between the HSS (home subscriber server) and the CSCF (call session control functions), referred to as the Cx interface. This document addresses the signaling flows for the Cx interface.

	Document No.	Version	Status	Issued date	Location
CCSA	CCSA-TSD-MC-X.S0013-005-0 v1.0	1.0	Published	-12-2003	http://www.ccsa.org.cn/english/tc/files.php?docpath=/ITU-T/Q.1742
TIA	TIA-873.005		Published	-12-2003	http://www.tiaonline.org/standards/catalog/index.cfm
TTA	TTAT.3G-X.S0013-005-0v1.0	1.0	Published	15-11-2004	http://www.tta.or.kr/standardDB/stnfile/TTAT.3G-X.S0013-005-0v1.0.zip
TTC	TS-3GB-X.S0013-005-0v1.0	1.0	Published	28-05-2004	http://www.ttc.or.jp/imt2000/ts/tsxs0013-005-0v1.0.pdf

10.5.10.16 X.S0013-005-0 version 2.0 all-IP core network multimedia domain IP multimedia subsystem Cx interface signaling flows and message contents (July 2005)

This specification specifies the interactions between the HSS (home subscriber server) and the CSCF (call session control functions), referred to as the Cx interface. This document addresses the signaling flows for the Cx interface.

	Document No.	Version	Status	Issued date	Location
CCSA	CCSA-TSD-MC-X.S0013-005-0	2.0	Published	-01-2006	http://www.ccsa.org.cn/english/tc/files.php?docpath=/ITU-T/Q.1742
TIA	TIA-873.005-1[E]		Published	-06-2006	http://www.tiaonline.org/standards/catalog/index.cfm
TTA	TTAT.3G-X.S0013-005-0 v2.0	2.0	Published	19-04-2006	http://www.tta.or.kr/standardDB/stnfile/TTAT.3G-X.S0013-005-0 v2.0.zip
TTC	TS-3GB-X.S0013-005-0v2.0	2.0	Published	25-11-2005	http://www.ttc.or.jp/imt2000/ts/tsxs0013-005-0v2.0.pdf

10.5.11.17 X.S0013-005-A version 1.0 all-IP core network multimedia domain IP multimedia subsystem Cx interface signaling flows and message contents (November 2005)

This specification specifies the interactions between the HSS (home subscriber server) and the CSCF (call session control functions), referred to as the Cx interface. This document addresses the signaling flows for the Cx interface.

	Document No.	Version	Status	Issued date	Location
CCSA	CCSA-TSD-MC-X.S0013-005-A	1.0	Published	-01-2006	http://www.ccsa.org.cn/english/tc/files.php?docpath=/ITU-T/Q.1742
TIA	TIA-873.005-A		Published	-06-2009	http://www.tiaonline.org/standards/catalog/index.cfm
TTA	TTAT.3G-X.S0013-005-A v1.0	1.0	Published	19-04-2006	http://www.tta.or.kr/standardDB/stnfile/TTAT.3G-X.S0013-005-A v1.0.zip
TTC	TS-3GB-X.S0013-005-A v1.0	1.0	Published	02-06-2006	http://www.ttc.or.jp/j/document_list/free/TS/TS-3GB-X.S0013-005-Av1.0.pdf

10.5.11.18 X.S0013-005-B version 1.0 all-IP core network multimedia domain IP multimedia subsystem Cx interface signaling flows and message contents (December 2007)

This specification specifies the interactions between the HSS (home subscriber server) and the CSCF (call session control functions), referred to as the Cx interface. This document addresses the signaling flows for the Cx interface.

	Document No.	Version	Status	Issued date	Location
TIA	TIA-873.005-B		Published	-06-2009	http://www.tiaonline.org/standards/catalog/index.cfm
TTA	TTAT.3G-X.S0013-005-Bv1.0	1.0	Published	29-01-2010	http://www.tta.or.kr/data/ttasDown.jsp?where=14688&pk_num=TTAT.3G-X.S0013-005-B v1.0

10.5.11.19 X.S0013-006-0 version 1.0 all-IP core network multimedia domain Cx interface based on the diameter protocol; protocol details (December 2003)

This document defines a transport protocol for use in the IP multimedia (IM) core network (CN) subsystem based on Diameter.

	Document No.	Version	Status	Issued date	Location
CCSA	CCSA-TSD-MC-X.S0013-006-0 v1.0	1.0	Published	-12-2003	http://www.ccsa.org.cn/english/tc/files.php?docpath=/ITU-T/Q.1742
TIA	TIA-873.006		Published	-12-2003	http://www.tiaonline.org/standards/catalog/index.cfm
TTA	TTAT.3G-X.S0013-006-0 v1.0	1.0	Published	15-11-2004	http://www.tta.or.kr/standardDB/stnfile/TTAT.3G-X.S0013-006-0 v1.0.zip
TTC	TS-3GB-X.S0013-006-0v1.0	1.0	Published	28-05-2004	http://www.ttc.or.jp/imt2000/ts/tsxs0013-006-0v1.0.pdf

10.5.11.20 X.S0013-006-0 version 2.0 all-IP core network multimedia domain Cx interface based on the diameter protocol; protocol details (July 2005)

This document defines a transport protocol for use in the IP multimedia (IM) core network (CN) subsystem based on Diameter.

	Document No.	Version	Status	Issued date	Location
CCSA	CCSA-TSD-MC-X.S0013-006-0	2.0	Published	-01-2006	http://www.ccsa.org.cn/english/tc/files.php?docpath=/ITU-T/Q.1742
TIA	TIA-873.006-1[E]		Published	-06-2006	http://www.tiaonline.org/standards/catalog/index.cfm
TTA	TTAT.3G-X.S0013-006-0 v2.0	2.0	Published	19-04-2006	http://www.tta.or.kr/standardDB/stnfile/TTAT.3G-X.S0013-006-0 v2.0.zip
TTC	TS-3GB-X.S0013-006-0v2.0	2.0	Published	25-11-2005	http://www.ttc.or.jp/imt2000/ts/tsxs0013-006-0v2.0.pdf

10.5.11.21 X.S0013-006-A version 1.0 all-IP core network multimedia domain Cx interface based on the diameter protocol; protocol details (November 2005)

This document defines a transport protocol for use in the IP multimedia (IM) core network (CN) subsystem based on Diameter. This document is applicable to the Cx interface between the I-CSCF/S-CSCF and the HSS.

	Document No.	Version	Status	Issued date	Location
CCSA	CCSA-TSD-MC-X.S0013-006-A	1.0	Published	-01-2006	http://www.ccsa.org.cn/english/tc/files.php?docpath=/ITU-T/Q.1742
TTA	TTAT.3G-X.S0013-006-A v1.0	1.0	Published	19-04-2006	http://www.tta.or.kr/standardDB/stnfile/TAT.3G-X.S0013-006-A v1.0.zip
TTC	TS-3GB-X.S0013-006-A v1.0	1.0	Published	02-06-2006	http://www.ttc.or.jp/j/document_list/free/TS/TS-3GB-X.S0013-006-Av1.0.pdf

10.5.11.22 X.S0013-006-B version 1.0 all-IP core network multimedia domain Cx interface based on the diameter protocol; protocol details (December 2007)

This document defines a transport protocol for use in the IP multimedia (IM) core network (CN) subsystem based on Diameter. This document is applicable to the Cx interface between the I-CSCF/S-CSCF and the HSS.

	Document No.	Version	Status	Issued date	Location
TIA	TIA-873.006-B		Published	-06-2009	http://www.tiaonline.org/standards/catalog/index.cfm
TTA	TTAT.3G-X.S0013-006-Bv1.0	1.0	Published	29-01-2010	http://www.tta.or.kr/data/ttasDown.jsp?where=14688&pk_num=TTAT.3G-X.S0013-006-B v1.0

10.5.11.23 X.S0013-007-0 version 1.0 all-IP core network multimedia domain IP multimedia subsystem – charging architecture (December 2003)

This document describes the architecture for charging and billing for IMS services. For the purpose of this document, the charging data is considered to be generated and collected by charging functions in the network elements. The objectives of the present document are to describe principles of charging in an IMS network, to provide a description of the charging architecture and to provide the descriptions of events and triggers for the generation of charging data.

	Document No.	Version	Status	Issued date	Location
CCSA	CCSA-TSD-MC-X.S0013-007-0 v1.0	1.0	Published	-12-2003	http://www.ccsa.org.cn/english/tc/files.php?docpath=/ITU-T/Q.1742
TIA	TIA-873.007		Published	-12-2003	http://www.tiaonline.org/standards/catalog/index.cfm
TTA	TTAT.3G-X.S0013-007-0 v1.0	1.0	Published	15-11-2004	http://www.tta.or.kr/standardDB/stnfile/TAT.3G-X.S0013-007-0 v1.0.zip
TTC	TS-3GB-X.S0013-007-0v1.0	1.0	Published	28-05-2004	http://www.ttc.or.jp/imt2000/ts/tsxs0013-007-0v1.0.pdf

10.5.11.24 X.S0013-007-A version 1.0 all-IP core network multimedia domain IP multimedia subsystem – charging architecture (November 2005)

This document describes the architecture for charging and billing for IMS services. For the purpose of this document, the charging data is considered to be generated and collected by charging functions in the network elements. The objectives of the present document are to describe principles of charging in an IMS network, to provide a description of the charging architecture and to provide the descriptions of events and triggers for the generation of charging data.

	Document No.	Version	Status	Issued date	Location
CCSA	CCSA-TSD-MC-X.S0013-007-A	1.0	Published	-01-2006	http://www.ccsa.org.cn/english/tc/files.php?docpath=/ITU-T/Q.1742
TIA	TIA-873.007-A		Published	-06-2009	http://www.tiaonline.org/standards/catalog/index.cfm
TTA	TTAT.3G-X.S0013-007-A v1.0	1.0	Published	19-04-2006	http://www.tta.or.kr/standardDB/stnfile/TTAT.3G-X.S0013-007-A v1.0.zip
TTC	TS-3GB-X.S0013-007-A v1.0	1.0	Published	02-06-2006	TS/TS-3GB-X.S0013-007-Av1.0.pdf

10.5.11.25 X.S0013-008-0 version 1.0 all-IP core network multimedia domain IP multimedia subsystem – accounting information flows and protocol (December 2003)

This document defines a transport protocol for use in the IP multimedia (IM) core network (CN) subsystem based on Diameter.

	Document No.	Version	Status	Issued date	Location
CCSA	CCSA-TSD-MC-X.S0013-008-0 v1.0	1.0	Published	-12-2003	http://www.ccsa.org.cn/english/tc/files.php?docpath=/ITU-T/Q.1742
TIA	TIA-873.008		Published	-12-2003	http://www.tiaonline.org/standards/catalog/index.cfm
TTA	TTAT.3G-X.S0013-008-0 v1.0	1.0	Published	15-11-2004	http://www.tta.or.kr/standardDB/stnfile/TTAT.3G-X.S0013-008-0 v1.0.zip
TTC	TS-3GB-X.S0013-008-0v1.0	1.0	Published	28-05-2004	http://www.ttc.or.jp/imt2000/ts/tsxs0013-008-0v1.0.pdf

10.5.11.26 X.S0013-008-0 version 2.0 all-IP core network multimedia domain IP multimedia subsystem – accounting information flows and protocol (July 2005)

This document covers offline charging for the IMS.

	Document No.	Version	Status	Issued date	Location
CCSA	CCSA-TSD-MC-X.S0013-008-0	2.0	Published	-01-2006	http://www.ccsa.org.cn/english/tc/files.php?docpath=/ITU-T/Q.1742
TIA	TIA-873.008-1[E]		Published	-07-2006	http://www.tiaonline.org/standards/catalog/index.cfm
TTA	TTAT.3G-X.S0013-008-0 v2.0	2.0	Published	19-04-2006	http://www.tta.or.kr/standardDB/stnfile/TTAT.3G-X.S0013-008-0 v2.0.zip
TTC	TS-3GB-X.S0013-008-0v2.0	2.0	Published	25-11-2005	http://www.ttc.or.jp/imt2000/ts/tsxs0013-008-0v2.0.pdf

10.5.11.27 X.S0013-008-A version 1.0 all-IP core network multimedia domain offline accounting information flows and protocols (November 2005)

This document covers offline charging for the IMS.

	Document No.	Version	Status	Issued date	Location
CCSA	CCSA-TSD-MC-X.S0013-008-A	1.0	Published	-01-2006	http://www.ccsa.org.cn/english/tc/files.php?docpath=/ITU-T/Q.1742
TIA	TIA-873.008-A		Published	-06-2009	http://www.tiaonline.org/standards/catalog/index.cfm
TTA	TTAT.3G-X.S0013-008-A v1.0	1.0	Published	19-04-2006	http://www.tta.or.kr/standardDB/stnfile/TTAT.3G-X.S0013-008-A v1.0.zip
TTC	TS-3GB-X.S0013-008-A v1.0	1.0	Published	02-06-2006	http://www.ttc.or.jp/j/document_list/free/TS/TS-3GB-X.S0013-008-Av1.0.pdf

10.5.11.28 X.S0013-009-0 version 1.0 IMS/MMD call flow examples (December 2007)

The document provides examples of signaling flows for the IP multimedia call control based on SIP and SDP.

	Document No.	Version	Status	Issued date	Location
TIA	TIA-873.009	1.0	Published	-06-2009	http://www.tiaonline.org/standards/catalog/index.cfm
TTA	TTAT.3G-X.S0013-009-0v1.0	1.0	Published	29-01-2010	http://www.tta.or.kr/data/ttasDown.jsp?where=14688&pk_num=TTAT.3G-X.S0013-009-0 v1.0

10.5.11.29 X.S0013-010-0 version 1.0 all-IP core network multimedia domain IP multimedia subsystem Sh interface; signaling flows and message contents – stage 2 (December 2003)

This document specifies the interactions between HSS (home subscriber server) and the SIP AS (application server) and between the HSS and the OSA SCS (service capability server). This interface is referred to as the Sh Reference point. This document addresses the signaling flows and message contents for the protocol at the Sh interface.

	Document No.	Version	Status	Issued date	Location
CCSA	CCSA-TSD-MC-X.S0013-010-0 v1.0	1.0	Published	-12-2003	http://www.ccsa.org.cn/english/tc/files.php?docpath=/ITU-T/Q.1742
TIA	TIA-873.010		Published	-12-2003	http://www.tiaonline.org/standards/catalog/index.cfm
TTA	TTAT.3G-X.S0013-010-0 v1.0	1.0	Published	15-11-2004	http://www.tta.or.kr/standardDB/stnfile/TTAT.3G-X.S0013-010-0 v1.0.zip
TTC	TS-3GB-X.S0013-010-0v1.0	1.0	Published	28-05-2004	http://www.ttc.or.jp/imt2000/ts/tsxs0013-010-0v1.0.pdf

10.5.11.30 X.S0013-010-0 version 2.0 all-IP core network multimedia domain IP multimedia subsystem Sh interface; signaling flows and message contents – stage 2 (July 2005)

This document specifies the interactions between HSS (home subscriber server) and the SIP AS (application server) and between the HSS and the OSA SCS (service capability server). This interface is referred to as the Sh Reference point. This document addresses the signaling flows and message contents for the protocol at the Sh interface.

	Document No.	Version	Status	Issued date	Location
CCSA	CCSA-TSD-MC-X.S0013-010-0	2.0	Published	-01-2006	http://www.ccsa.org.cn/english/tc/files.php?docpath=/ITU-T/Q.1742/Q.1742.5
TIA	TIA-873.010-1[E]		Published	-07-2006	http://www.tiaonline.org/standards/catalog/index.cfm
TTA	TTAT.3G-X.S0013-010-0 v2.0	2.0	Published	19-04-2006	http://www.tta.or.kr/standardDB/stnfile/TTAT.3G-X.S0013-010-0 v2.0.zip
TTC	TS-3GB-X.S0013-010-0v2.0	2.0	Published	25-11-2005	http://www.ttc.or.jp/imt2000/ts/tsxs0013-010-0v2.0.pdf

10.5.11.31 X.S0013-010-A version 1.0 all-IP core network multimedia domain IP multimedia subsystem Sh interface; signaling flows and message contents – stage 2 (November 2005)

This document specifies the interactions between HSS (home subscriber server) and the SIP AS (application server) and between the HSS and the OSA SCS (service capability server). This interface is referred to as the Sh Reference point. This document addresses the signaling flows and message contents for the protocol at the Sh interface.

	Document No.	Version	Status	Issued date	Location
CCSA	CCSA-TSD-MC-X.S0013-010-A	1.0	Published	-01-2006	http://www.ccsa.org.cn/english/tc/files.php?docpath=/ITU-T/Q.1742/Q.1742.5
TIA	TIA-873.010-A		Published	-06-2009	http://www.tiaonline.org/standards/catalog/index.cfm
TTA	TTAT.3G-X.S0013-010-A v1.0	1.0	Published	19-04-2006	http://www.tta.or.kr/standardDB/stnfile/TTAT.3G-X.S0013-010-A v1.0.zip
TTC	TS-3GB-X.S0013-010-A v1.0	1.0	Published	02-06-2006	http://www.ttc.or.jp/j/document_list/free/TS/TS-3GB-X.S0013-010-Av1.0.pdf

10.5.11.32 X.S0013-010-B version 1.0 all-IP core network multimedia domain IP multimedia subsystem Sh interface; signaling flows and message contents – stage 2 (December 2007)

This document specifies the interactions between HSS (home subscriber server) and the SIP AS (application server) and between the HSS and the OSA SCS (service capability server). This interface is referred to as the Sh Reference point. This document addresses the signaling flows and message contents for the protocol at the Sh interface.

	Document No.	Version	Status	Issued date	Location
TTA	TTAT.3G-X.S0013-010-B v1.0	1.0	Published	29-01-2010	http://www.tta.or.kr/data/ttasDown.jsp?where=14688&pk_num=TTAT.3G-X.S0013-010-B v1.0

10.5.11.33 X.S0013-011-0 version 1.0 all-IP core network multimedia domain IP multimedia Sh interface based on Diameter protocols protocol details – stage 3 (December 2003)

This document defines a transport for use in the IP multimedia (IM) core network (CN) subsystem based on Diameter. The present document is applicable to the Sh interface between a SIP AS and the AAA, and the Sh interface between an SCS and the AAA.

	Document No.	Version	Status	Issued date	Location
CCSA	CCSA-TSD-MC-X.S0013-011-0 v1.0	1.0	Published	-12-2003	http://www.ccsa.org.cn/english/tc/files.php?docpath=/ITU-T/Q.1742
TIA	TIA-873.011		Published	-12-2003	http://www.tiaonline.org/standards/catalog/index.cfm
TTA	TTAT.3G-X.S0013-011-0 v1.0	1.0	Published	15-11-2004	http://www.tta.or.kr/standardDB/stnfile/TTAT.3G-X.S0013-011-0 v1.0.zip
TTC	TS-3GB-X.S0013-011-0v1.0	1.0	Published	28-05-2004	http://www.ttc.or.jp/imt2000/ts/tsxs0013-011-0v1.0.pdf

10.5.11.34 X.S0013-011-0 version 2.0 all-IP core network multimedia domain Sh interface based on Diameter protocols protocol details – stage 3 (July 2005)

This document defines a transport for use in the IP multimedia (IM) core network (CN) subsystem based on Diameter. The present document is applicable to the Sh interface between a SIP AS and the AAA, and the Sh interface between an SCS and the AAA.

	Document No.	Version	Status	Issued date	Location
CCSA	CCSA-TSD-MC-X.S0013-011-0	2.0	Published	-01-2006	http://www.ccsa.org.cn/english/tc/files.php?docpath=/ITU-T/Q.1742/Q.1742.5
TIA	TIA-873.011-1[E]		Published	-07-2006	http://www.tiaonline.org/standards/catalog/index.cfm
TTA	TTAT.3G-X.S0013-011-0 v2.0	2.0	Published	19-04-2006	http://www.tta.or.kr/standardDB/stnfile/TTAT.3G-X.S0013-011-0 v2.0.zip
TTC	TS-3GB-X.S0013-011-0v2.0	2.0	Published	25-11-2005	http://www.ttc.or.jp/imt2000/ts/tsxs0013-011-0v2.0.pdf

10.5.11.35 X.S0013-011-A version 1.0 all-IP core network multimedia domain Sh interface based on Diameter protocols protocol details – stage 3 (November 2005)

This document defines a transport for use in the IP multimedia (IM) core network (CN) subsystem based on Diameter. The present document is applicable to the Sh interface between a SIP AS and the AAA, and the Sh interface between an SCS and the AAA.

	Document No.	Version	Status	Issued date	Location
CCSA	CCSA-TSD-MC-X.S0013-011-A	1.0	Published	-01-2006	http://www.ccsa.org.cn/english/tc/files.php?docpath=/ITU-T/Q.1742/Q.1742.5
TIA	TIA-873.011-A		Published	-06-2009	http://www.tiaonline.org/standards/catalog/index.cfm
TTA	TTAT.3G-X.S0013-011-A v1.0	1.0	Published	19-04-2006	http://www.tta.or.kr/standardDB/stnfile/TTAT.3G-X.S0013-011-A v1.0.zip
TTC	TS-3GB-X.S0013-011-A v1.0	1.0	Published	02-06-2006	http://www.ttc.or.jp/j/document_list/free/TS/TS-3GB-X.S0013-011-Av1.0.pdf

10.5.11.36 X.S0013-011-B version 1.0 all-IP core network multimedia domain Sh interface based on Diameter protocols protocol details – stage 3 (December 2009)

This document defines a transport for use in the IP multimedia (IM) core network (CN) subsystem based on Diameter. The present document is applicable to the Sh interface between a SIP AS and the AAA, and the Sh interface between an SCS and the AAA.

	Document No.	Version	Status	Issued date	Location
TTA	TTAT.3G-X.S0013-011-B v1.0	1.0	Published	29-01-2010	http://www.tta.or.kr/data/ttasDown.jsp?w here=14688&pk_num=TTAT.3G-X.S0013-011 B v1.0

10.5.11.37 X.S0013-012-0 version 1.0 all-IP core network multimedia domain service based bearer control – stage 2 (December 2007)

This specification addresses the linkage between session control and bearer level resource control mechanisms.

	Document No.	Version	Status	Issued date	Location
TIA	TIA-873.012	1.0	Published	-06-2009	http://www.tiaonline.org/standards/catalog/index.cfm
TTA	TTAT.3G-X.S0013-012-0v1.0	1.0	Published	29-01-2010	http://www.tta.or.kr/data/ttasDown.jsp?w here=14688&pk_num=TTAT.3G-X.S0013-012-0 v1.0

10.5.11.38 X.S0013-013-0 version 1.0 all-IP core network multimedia domain service based bearer control Tx interface – stage 3 (December 2007)

This document addresses the stage 3 protocol between an application function (AF) and a policy and charging rules function (PCRF) in support of service based bearer control.

	Document No.	Version	Status	Issued date	Location
TIA	TIA-873.013	1.0	Published	-06-2009	http://www.tiaonline.org/standards/catalog/index.cfm
TTA	TTAT.3G-X.S0013-013-0v1.0	1.0	Published	29-01-2010	http://www.tta.or.kr/data/ttasDown.jsp?where=14688&pk_num=TTAT.3G-X.S0013-013-0 v1.0

10.5.11.39 X.S0013-014-0 version 1.0 all-IP core network multimedia domain service based bearer control Ty interface – stage 3 (December 2007)

This document addresses the stage 3 protocol between an access gateway (AGW) and a policy and charging rules function (PCRF) in support of service based bearer control as described in X.S0013-012. The Reference point between the AGW and the PCRF is designated as the Ty Reference point and supports all cdma2000® radio technologies.

	Document No.	Version	Status	Issued date	Location
TTA	TTAT.3G-X.S0013-014-0v1.0	1.0	Published	29-01-2010	http://www.tta.or.kr/data/ttasDown.jsp?where=14688&pk_num=TTAT.3G-X.S0013-014-0 v1.0

10.5.11.40 X.S0013-016-0 version 1.0 all-IP core network multimedia domain messaging service using the IP multimedia subsystem (December 2007)

The present document provides the protocol details for the messaging service within the IP multimedia subsystem (IMS) based on the session initiation protocol (SIP), the session description protocol (SDP) and, the message session relay protocol (MSRP).

	Document No.	Version	Status	Issued date	Location
TIA	TIA-873.016	1.0	Published	-06-2009	http://www.tiaonline.org/standards/catalog/index.cfm
TTA	TTAT.3G-X.S0013-016-0v1.0	1.0	Published	29-01-2010	http://www.tta.or.kr/data/ttasDown.jsp?where=14688&pk_num=TTAT.3G-X.S0013-016-0 v1.0

10.5.12 X.S0014-E version 1.0 wireless radio telecommunication intersystem non-signaling data communication DMH (data message handler) (December 2004)

This document describes the messages and procedures required to perform call detail record data transmission between systems.

	Document No.	Version	Status	Issued date	Location
CCSA	CCSA-TSD-MC-X.S0014-E	1.0	Published	-09-2005	http://www.ccsa.org.cn/english/tc/files.php?docpath=/ITU-T/Q.1742/Q.1742.5
TIA	TIA-124E		Published	-05-2005	http://www.tiaonline.org/standards/catalog/index.cfm
TTA	TTAT.3G-X.S0014-E V1.0	1.0	Published	09-12-2005	http://www.tta.or.kr/standardDB/stnfile/TTAT.3G-X.S0014-E v1.0.zip
TTC	TS-3GB-X.S0014-Ev1.0	1.0	Published	02-06-2005	http://www.ttc.or.jp/imt2000/ts/tsxs0014-ev1.0.pdf

10.5.12.1 X.S0014-E version 2.0 wireless radio telecommunication intersystem non-signaling data communication DMH (data message handler) (August 2006)

This document describes the messages and procedures required to perform call detail record data transmission between systems.

	Document No.	Version	Status	Issued date	Location
CCSA	CCSA-X.S0014-E v2.0	2.0	Published	31-01-2007	http://www.ccsa.org.cn/english/tc/files.php?docpath=/ITU-T/Q.1742
TIA	ANSI TIA-124E		Published	-12-2006	http://www.tiaonline.org/standards/catalog/index.cfm
TTA	TTAT.3G-X.S0014-E v2.0	2.0	Published	15-02-2007	http://www.tta.or.kr/standardDB/stnfile/TTAT.3G-X.S0014-E.v2.0.zip
TTC	TS-3GB-X.S0014-Ev2.0	2.0	Published	01-12-2006	http://www.ttc.or.jp/imt2000/ts/tsxs0014-ev2.0.pdf

10.5.13 X.S0016-000-A version 1.0 3GPP2 multimedia messaging system (MMS) specification overview, revision A (May 2003)

This document describes the multimedia messaging system (MMS) specification documents for 3GPP2. It provides references to the stage 1 (requirements), stage 2 (functional description), and one or more stage 3 (technical realization) documents that collectively represent the MMS specification for 3GPP2 systems. The multimedia messaging system is distributed within many documents, with a simple multi-level hierarchy.

	Document No.	Version	Status	Issued date	Location
CCSA	CCSA-TSD-MC-X.S0016-000-A v1.0	1.0	Published	25-11-2007	http://www.ccsa.org.cn/english/tc/files.php?docpath=/ITU-T/Q.1742/Q.1742-7/
TIA	TIA-934-000-A	0	Published	-05-2003	http://www.tiaonline.org/standards/catalog/index.cfm
TTA	TTAT.3G-X.S0016-000-A v1.0	1.0	Published	24-12-2007	http://www.tta.or.kr/standardDB/stnfile/TTAT.3G-X.S0016-000-A v1.0.zip
TTC	TS-3GB-X.S0016.000-A v1.0.0	1.0	Published	28-11-2003	http://www.ttc.or.jp/j/document_list/free/TS/TS-3GB-X.S0016.000-Av1.0.0.pdf

10.5.13.1 X.S0016-000-B version 1.0 3GPP2 multimedia messaging system (MMS) specification overview, revision B (June 2004)

This document describes the multimedia messaging system (MMS) specification documents for 3GPP2. It provides references to the stage 1 (requirements), stage 2 (functional description), and one or more stage 3 (technical realization) documents that collectively represent the MMS specification for 3GPP2 systems. The multimedia messaging system is distributed within many documents, with a simple multi-level hierarchy. The purpose of this section is to introduce the readers to the contents of the whole document.

	Document No.	Version	Status	Issued date	Location
CCSA	CCSA-TSD-MC-X.S0016-000-B v1.0	1.0	Published	25-11-2007	http://www.ccsa.org.cn/english/tc/files.php?docpath=/ITU-T/Q.1742/Q.1742-7/
TTA	TTAT.3G-X.S0016-000-B v1.0	1.0	Published	15-11-2004	http://www.tta.or.kr/standardDB/stnfile/TTAT.3G-X.S0016-000-B v1.0.zip
TTC	TS-3GB-X.S0016-000-Bv1.0	1.0	Published	03-09-2004	http://www.ttc.or.jp/j/document_list/free/TS/TS-3GB-X.S0016-000-Bv1.0.pdf

10.5.13.2 X.S0016-000-C version 1.0 multimedia messaging service – overview (January 2006)

This document describes the multimedia messaging system (MMS) specification documents for 3GPP2. It provides references to the stage 1 (requirements), stage 2 (functional description), and one or more stage 3 (technical realization) documents that collectively represent the MMS specification for 3GPP2 systems. The multimedia messaging system is distributed within many documents, with a simple multi-level hierarchy. The purpose of this section is to introduce the readers to the contents of the whole document.

	Document No.	Version	Status	Issued date	Location
CCSA	CCSA-TSD-MC-X.S0016-000-C v1.0	1.0	Published	25-11-2007	http://www.ccsa.org.cn/english/tc/files.php?docpath=/ITU-T/Q.1742/Q.1742-7/
TTA	TTAT.3G-X.S0016-000-C v1.0	1.0	Published	24-12-2007	http://www.tta.or.kr/standardDB/stnfile/TAT.3G-X.S0016-000-C v1.0.zip

10.5.13.3 X.S0016-101-0 version 1.0 multimedia messaging service – MM10 interface based on Diameter protocol – stage 3 (January 2006)

This document defines the procedures and transport protocol for use in the multimedia messaging service (MMS) based on Diameter. The present document is applicable to the MM10 interface between a MMS Relay/Server and the MSCF.

	Document No.	Version	Status	Issued date	Location
CCSA	CCSA-TSD-MC-X.S0016-101-0 v1.0	1.0	Published	25-11-2007	http://www.ccsa.org.cn/english/tc/files.php?docpath=/ITU-T/Q.1742/Q.1742-7/
TTA	TTAT.3G-X.S0016-101-0 v1	1.0	Published	24-12-2007	http://www.tta.or.kr/standardDB/stnfile/TAT.3G-X.S0016-101-0 v1.0.zip

10.5.13.4 X.S0016-102-0 version 1.0 multimedia messaging service – MM10 interface based on RADIUS protocol – stage 3 (January 2006)

This document defines the procedures and transport protocol for use in the multimedia messaging service (MMS) based on Diameter. The present document is applicable to the MM10 interface between a MMS relay/server and the MSCF.

	Document No.	Version	Status	Issued date	Location
CCSA	CCSA-TSD-MC-X.S0016-102-0 v1.	1.0	Published	25-11-2007	http://www.ccsa.org.cn/english/tc/files.php?docpath=/ITU-T/Q.1742/Q.1742-7/
TTA	TTAT.3G-X.S0016-102-0 v1.0	1.0	Published	24-12-2007	http://www.tta.or.kr/standardDB/stnfile/TAT.3G-X.S0016-102-0 v1.0.zip

10.5.13.5 X.S0016-200-0 version 1.0 MMS stage 2 functional description (03 April 2003)

The present document defines the stage 2 description of the non-realtime multimedia messaging service (MMS). Stage 2 identifies the functional capabilities and information flows needed to support the service described in stage 1. The present document includes information applicable to network operators, service providers and terminal, switch and database manufacturers.

The present document contains the core functions for a non-realtime multimedia messaging service (MMS), which are sufficient to provide a basic service.

	Document No.	Version	Status	Issued date	Location
CCSA	CCSA-TSD-MC-X.S0016-200-0 v1.0	1.0	Published	25-11-2007	http://www.ccsa.org.cn/english/tc/files.php?docpath=/ITU-T/Q.1742/Q.1742-7/
TIA	TIA-934-200	0	Published	-05-2003	http://www.tiaonline.org/standards/catalog/index.cfm
TTA	TTAT.3G-X.S0016-200-0 v1.0	1.0	Published	30-10-2003	http://www.tta.or.kr/standardDB/stnfile/TAT.3G-X.S0016-200-0 v1.0.zip

10.5.13.6 X.S0016-200-0 version 2.0 MMS stage 2 functional description (June 2004)

The present document defines the stage 2 description of the non-realtime multimedia messaging service (MMS). Stage 2 identifies the functional capabilities and information flows needed to support the service described in stage 1. The present document includes information applicable to network operators, service providers and terminal, switch and database manufacturers.

The present document contains the core functions for a non-realtime multimedia messaging service (MMS), which are sufficient to provide a basic service.

	Document No.	Version	Status	Issued date	Location
CCSA	CCSA-TSD-MC-X.S0016-200-0 v2.0	2.0	Published	25-11-2007	http://www.ccsa.org.cn/english/tc/files.php?docpath=/ITU-T/Q.1742/Q.1742-7/
TTA	TTAT.3G-X.S0016-200-0 v1.0	2.0	Published	15-11-2004	http://www.tta.or.kr/standardDB/stnfile/TTAT.3G-X.S0016-200-0 v1.0.zip

10.5.13.7 X.S0016-200-A version 1.0 multimedia messaging service – stage 2 functional description (January 2006)

The present document defines the stage 2 description of the non-realtime multimedia messaging service (MMS). Stage 2 identifies the functional capabilities and information flows needed to support the service described in stage 1. The present document includes information applicable to network operators, service providers and terminal, switch and database manufacturers.

The present document contains the core functions for a non-realtime multimedia messaging service (MMS), which are sufficient to provide a basic service.

	Document No.	Version	Status	Issued date	Location
CCSA	CCSA-TSD-MC-X.S0016-200-A v1.0	1.0	Published	25-11-2007	http://www.ccsa.org.cn/english/tc/files.php?docpath=/ITU-T/Q.1742/Q.1742-7/
TTA	TTAT.3G-X.S0016-200-A v1.0	1.0	Published	24-12-2007	http://www.tta.or.kr/standardDB/stnfile/TTAT.3G-X.S0016-200-A v1.0.zip

10.5.13.8 X.S0016-310-0 version 1.0 MMS MM1 stage 3 using OMA/WAP (3 April 2003)

This document defines the stage 3 description of the non-realtime multimedia messaging service (MMS). Stage 3 identifies the protocols and formats needed to support the functional capabilities and information flows described in stage 2.

This document includes information applicable to network operators, service providers and server and device manufacturers. The document contains the core protocol and formats for interoperability between a device client and a MMS relay/server.

	Document No.	Version	Status	Issued date	Location
CCSA	CCSA-TSD-MC-X.S0016-310-0 v1.0	1.0	Published	25-11-2007	http://www.ccsa.org.cn/english/tc/files.php?docpath=/ITU-T/Q.1742/Q.1742-7/
TIA	TIA-934-310	0	Published	-05-2003	http://www.tiaonline.org/standards/catalog/index.cfm
TTA	TTAT.3G-X.S0016-310-0 v1.0	1.0	Published	30-10-2003	http://www.tta.or.kr/standardDB/stnfile/TTAT.3G-X.S0016-310-0 v1.0.zip

10.5.13.9 X.S0016-310-0 version 2.0 MMS MM1 stage 3 using OMA/WAP (June 2004)

This document defines the stage 3 description of the non-realtime multimedia messaging service (MMS). Stage 3 identifies the protocols and formats needed to support the functional capabilities and information flows described in stage 2.

This document includes information applicable to network operators, service providers and server and device manufacturers. The document contains the core protocol and formats for interoperability between a device client and a MMS relay/server.

	Document No.	Version	Status	Issued date	Location
CCSA	CCSA-TSD-MC-X.S0016-310-0 v1.0	1.0	Published	25-11-2007	http://www.ccsa.org.cn/english/tc/files.php?docpath=/ITU-T/Q.1742/Q.1742-7/
TIA	TIA-934-310-A	1	Published	-09-2007	http://www.tiaonline.org/standards/catalog/index.cfm
TTA	TTAT.3G-X.S0016-310-0 V2.0	2.0	Published	15-11-2005	http://www.tta.or.kr/standardDB/stnfile/TTAT.3G-X.S0016-310-0 v2.0.zip

10.5.13.10 X.S0016-311-0 version 1.0 MMS MM1 stage 3 using M-IMAP for message submission and retrieval (14 April 2003)

This specification defines a technical realization of the MMS MM1 interface for message submission and message retrieval. The methods defined within this document are independent of and may be used with any particular delivery notification method, as section 3.9 explains.

	Document No.	Version	Status	Issued date	Location
CCSA	CCSA-TSD-MC-X.S0016-311-0 v1.0	1.0	Published	25-11-2007	http://www.ccsa.org.cn/english/tc/files.php?docpath=/ITU-T/Q.1742/Q.1742-7/
TIA	TIA-934-311	0	Published	-05-2003	http://www.tiaonline.org/standards/catalog/index.cfm
TTA	TTAT.3G-X.S0016-311-0 v1.0	1.0	Published	29-01-2010	http://www.tta.or.kr/data/ttasDown.jsp?where=14688&pk_num=TTAT.3G-X.S0016-311-0 v1.0

10.5.13.11 X.S0016-312-0 version 1.0 MMS MM1 stage 3 using SIP (June 2004)

This specification defines a technical realization of the MMS MM1 interface for message submission, message notification, message acknowledgement, message retrieval, message delivery reporting and message read reporting.

	Document No.	Version	Status	Issued date	Location
CCSA	CCSA-TSD-MC-X.S0016-312-0 v1.0	1.0	Published	25-11-2007	http://www.ccsa.org.cn/english/tc/files.php?docpath=/ITU-T/Q.1742/Q.1742-7/
TIA	TIA-934-312	0	Published	-04-2008	http://www.tiaonline.org/standards/catalog/index.cfm
TTA	TTAT.3G-X.S0016-312-0 v1.0	1.0	Published	15-11-2004	http://www.tta.or.kr/standardDB/stnfile/TTAT.3G-X.S0016-312-0 v1.0.zip

10.5.13.12 X.S0016-330-0 version 1.0 MMS MM1 stage 3 for Internet mail exchange (June 2004)

This specification describes how to use MM3 to exchange messages with Internet mail systems. This includes translation between MMS and Internet mail messages using extended simple mail transfer protocol (SMTP) and Internet mail format (Msg-Fmt). This protocol is a stage 3 on reference point MM3 to exchange messages with systems in Internet message format.

	Document No.	Version	Status	Issued date	Location
CCSA	CCSA-TSD-MC-X.S0016-330-0 v1.0	1.0	Published	25-11-2007	http://www.ccsa.org.cn/english/tc/files.php?docpath=/ITU-T/Q.1742/Q.1742-7/
TIA	TIA-934-330	0	Published	-03-2008	http://www.tiaonline.org/standards/catalog/index.cfm
TTA	TTAT.3G-X.S0016-330-0 v1.0	1.0	Published	15-11-2004	http://www.tta.or.kr/standardDB/stnfile/TTAT.3G-X.S0016-330-0 v1.0.zip

10.5.13.13 X.S0016-330-A version 1.0 multimedia messaging service – MM3 stage 3 for Internet mail exchange (January 2006)

This specification describes how to use MM3 to exchange messages with Internet mail systems. This includes translation between MMS and Internet mail messages using extended simple mail transfer protocol (SMTP) and Internet mail format (Msg-Fmt). This protocol is a stage 3 on Reference point MM3 to exchange messages with systems in Internet message format.

	Document No.	Version	Status	Issued date	Location
CCSA	CCSA-TSD-MC-X.S0016-330-A v1.0	1.0	Published	25-11-2007	http://www.ccsa.org.cn/english/tc/files.php?docpath=/ITU-T/Q.1742/Q.1742-7/
TTA	TTAT.3G-X.S0016-330-A v1.0	1.0	Published	24-12-2007	http://www.fta.or.kr/standardDB/stnfile/TAT.3G-X.S0016-330-A v1.0.zip

10.5.13.14 X.S0016-340-0 version 1.0 MMS MM4 stage 3 for intercarrier interworking (3 April 2003)

This document defines the stage 3 description of the non-realtime multimedia messaging service (MMS). Stage 3 identifies the protocols and formats needed to support the functional capabilities and information flows described in stage 2.

This document includes information applicable to network operators, service providers and switch and database manufacturers. The present document contains the core protocol and formats for interworking between network operators in support of multimedia messaging services.

	Document No.	Version	Status	Issued date	Location
CCSA	CCSA-TSD-MC-X.S0016-340-0 v1.0	1.0	Published	25-11-2007	http://www.ccsa.org.cn/english/tc/files.php?docpath=/ITU-T/Q.1742/Q.1742-7/
TIA	TIA-934-340	0	Published	-05-2003	http://www.tiaonline.org/standards/catalog/index.cfm
TTA	TTAT.3G-X.S0016-340-0 v1.0	1.0	Published	30-10-2003	http://www.fta.or.kr/standardDB/stnfile/TAT.3G-X.S0016-340-0 v1.0.zip
TTC	TS-3GB-X.S0016.340-0v1.0.0	1.0	Published	28-11-2003	http://www.ttc.or.jp/i/document_list/free/TS/TS-3GB-X.S0016.340-0v1.0.0.pdf

10.5.13.15 X.S0016-340-0 version 2.0 MMS MM4 stage 3 for intercarrier interworking (June 2004)

This document defines the stage 3 description of the non-realtime multimedia messaging service, MMS. Stage 3 identifies the protocols and formats needed to support the functional capabilities and information flows described in stage 2.

This document includes information applicable to network operators, service providers and switch and database manufacturers. The present document contains the core protocol and formats for interworking between network operators in support of multimedia messaging services.

	Document No.	Version	Status	Issued date	Location
CCSA	CCSA-TSD-MC-X.S0016-340-0 v2.0	2.0	Published	25-11-2007	http://www.ccsa.org.cn/english/tc/files.php?docpath=/ITU-T/Q.1742/Q.1742-7/
TTA	TTAT.3G-X.S0016-340-0 v2.0	2.0	Published	15-11-2004	http://www.fta.or.kr/standardDB/stnfile/TAT.3G-X.S0016-340-0 v2.0.zip
TTC	TS-3GB-X.S0016-340-0v2.0	2.0	Published	03-09-2004	http://www.ttc.or.jp/i/document_list/free/TS/TS-3GB-X.S0016-340-0v2.0.pdf

10.5.13.16 X.S0016-340-A version 1.0 multimedia messaging service – MM4 stage 3 inter-carrier interworking (January 2006)

This document defines the stage 3 description of the non-realtime multimedia messaging service (MMS). Stage 3 identifies the protocols and formats needed to support the functional capabilities and information flows described in stage 2.

This document includes information applicable to network operators, service providers and switch and database manufacturers. The present document contains the core protocol and formats for interworking between network operators in support of multimedia messaging services.

	Document No.	Version	Status	Issued date	Location
CCSA	CCSA-TSD-MC-X.S0016-340-A v1.0	1.0	Published	25-11-2007	http://www.ccsa.org.cn/english/tc/files.php?docpath=/ITU-T/Q.1742/Q.1742-7/
TTA	TTAT.3G-X.S0016-340-A v1.0	1.0	Published	24-12-2007	http://www.tta.or.kr/standardDB/stnfile/TAT.3G-X.S0016-340-A v1.0.zip

10.5.13.17 X.S0016-370-0 version 1.0 MMSS MM7 VASP interworking stage 3 specification (3 April 2003)

This document describes the technical realization (stage 3) of the value-added service provider (VASP) interface, also known as the MM7 reference point.

	Document No.	Version	Status	Issued date	Location
CCSA	CCSA-TSD-MC-X.S0016-370-0 v1.0	1.0	Published	25-11-2007	http://www.ccsa.org.cn/english/tc/files.php?docpath=/ITU-T/Q.1742/Q.1742-7/
TIA	TIA-934-370		Published	-05-2003	http://www.tiaonline.org/standards/catalog/index.cfm
TTA	TTAT.3G-X.S0016-370-0 v1.0	1.0	Published	30-10-2003	http://www.tta.or.kr/standardDB/stnfile/TAT.3G-X.S0016-370-0 v1.0.zip
TTC	TS-3GB-X.S0016.370-0v1.0.0	1.0	Published	28-11-2003	http://www.ttc.or.jp/j/document_list/free/TS/TS-3GB-X.S0016.370-0v1.0.0.pdf

10.5.13.18 X.S0016-370-0 version 2.0 MMSS MM7 VASP interworking stage 3 specification (June 2004)

This document describes the technical realization (stage 3) of the value-added service provider (VASP) interface, also known as the MM7 reference point.

	Document No.	Version	Status	Issued date	Location
CCSA	CCSA-TSD-MC-X.S0016-370-0 v2.0	2.0	Published	25-11-2007	http://www.ccsa.org.cn/english/tc/files.php?docpath=/ITU-T/Q.1742/Q.1742-7/
TTA	TTAT.3G-X.S0016-370-0 v2.0	2.0	Published	15-11-2004	http://www.tta.or.kr/standardDB/stnfile/TAT.3G-X.S0016-370-0 v2.0.zip
TTC	TS-3GB-X.S0016-370-0v2.0	2.0	Published	03-09-2004	http://www.ttc.or.jp/j/document_list/free/TS/TS-3GB-X.S0016-370-0v2.0.pdf

10.5.13.19 X.S0016-370-A version 1.0 multimedia messaging service – MM7 VASP interworking stage 3 (January 2006)

This document describes the technical realization (stage 3) of the value-added service provider (VASP) interface, also known as the MM7 reference point.

	Document No.	Version	Status	Issued date	Location
CCSA	CCSA-TSD-MC-X.S0016-370-A v1.0	1.0	Published	25-11-2007	http://www.ccsa.org.cn/english/tc/files.php?docpath=/ITU-T/Q.1742/Q.1742-7/
TTA	TTAT.3G-X.S0016-370-A v1.0	1.0	Published	24-12-2007	http://www.tta.or.kr/standardDB/stnfile/TTAT.3G-X.S0016-370-A v1.0.zip

10.5.14 X.S0017 version 1.0.0 open service access (OSA) application programming interface (API) OSA API revision: 0 (June 2003)

This document is intended to define the OSA API stage 3 interface definitions and it provides the complete OSA specifications for cdma2000-based systems. This document is an extension of OSA API, per latest 3GPP TS 29.198 series specifications capabilities to enable operation in cdma2000 systems environment as part of the TIA/EIA/IS-2000 family of standards. The information given here is to be used by developers in 3GPP2 cdma2000 network architecture to the 3GPP OSA specifications.

	Document No.	Version	Status	Issued date	Location
CCSA	CCSA-TSD-MC-X.S0017 v1.0.0	1.0.0	Published	-06-2003	http://www.ccsa.org.cn/english/tc/files.php?docpath=/ITU-T/Q.1742
TIA	TIA-937		Published	-06-2003	http://www.tiaonline.org/standards/catalog/index.cfm
TTA	TTAT.3G-X.S0017 v1.0.0	1.0.0	Published	15-11-2004	http://www.tta.or.kr/standardDB/stnfile/TTAT.3G-X.S0017 v1.0.0.zip
TTC	TS-3GB-X.S0017-0v1.0.0	1.0.0	Published	28-11-2003	http://www.ttc.or.jp/imt2000/ts/tsxs0017-0v1.0.0.pdf

10.5.15 X.S0018 version 1.0.0 legacy mobile station domain (LMSD) step 1 revision: 0 (May 2003)

This standard specifies the necessary interfaces to support the bearer traffic between media gateways in the initial step of the legacy mobile station domain (LMSD). The requirements for this work are defined in [6], and the overall architecture model is defined in [5]. This standard defines bearer support of G.711 PCM encoded voice over IP as defined in RFC 1890 at a minimum, for use between media gateways in a cdma2000 legacy mobile station domain. This standard utilizes existing IETF and 3GPP2 protocols when applicable to minimize the new work needed.

	Document No.	Version	Status	Issued date	Location
CCSA	CCSA-TSD-MC-X.S0018-0	1.0.0	Published	09-2003	http://www.ccsa.org.cn/english/tc/files.php?docpath=/ITU-T/Q.1742/R3-2003-11
TIA	TIA-930		Published	-01-2003	http://www.tiaonline.org/standards/catalog/index.cfm
TTA	TTAT.3G-X.S0018-v1.0.0	1.0.0	Published	30-10-2003	http://www.tta.or.kr/standardDB/stnfile/TTAT.3G-X.S0018_v1.0.0.zip
TTC	TS-3GB-X.S0018-0v1.0.0	1.0	Published	28-11-2003	http://www.ttc.or.jp/j/document_list/free/TS/TS-3GB-X.S0018-0v1.0.0.pdf

10.5.16 X.S0021-B version 1.0 roamer database verification (July 2004)

The purpose of this document is to describe the RDV network capability and to specify the operation of RDV so that wireless systems can use RDV.

	Document No.	Version	Status	Issued date	Location
CCSA	CCSA-TSD-MC-X.S0021-B	1.0	Published	-09-2005	http://www.ccsa.org.cn/english/tc/files.php?docpath=/ITU-T/Q.1742/Q.1742.5
TIA	TIA-847-B		Published	-08-2004	http://www.tiaonline.org/standards/catalog/index.cfm
TTA	TTAT.3G-X.S0021-B v1.0	1.0	Published	09-12-2005	http://www.tta.or.kr/standardDB/stnfile/TTAT.3G-X.S0021-B v1.0.zip
TTC	TS-3GB-X.S0021-Bv1.0	1.0	Published	30-11-2004	http://www.ttc.or.jp/imt2000/ts/tsxs0021-bv1.0.pdf

10.5.17 X.S0022-A version 1.0 broadcast and multicast service in cdma2000 wireless IP network revision A (16 February 2007)

The purpose of this document is to describe the RDV network capability and to specify the operation of RDV so that wireless systems can use RDV.

	Document No.	Version	Status	Issued date	Location
CCSA	CCSA-TSD-MC-X.S0022-A v1.0	1.0	Published	25-11-2007	http://www.ccsa.org.cn/english/tc/files.php?docpath=/ITU-T/Q.1742/Q.1742-7/
TIA	TIA-1041-A		Published	-10-2007	http://www.tiaonline.org/standards/catalog/index.cfm
TTA	TTAT.3G-X.S0022-A v1.0	1.0	Published	24-12-2007	http://www.tta.or.kr/standardDB/stnfile/TTAT.3G-X.S0022-A v1.0.zip
TTC	TS-3GB-X.S0022-A v1.0	1.0	Published	25-05-2007	http://www.ttc.or.jp/j/document_list/free/TS/TS-3GB-X.S0022-Av1.0.pdf

10.5.18 X.S0023-B version 1.0 network interworking between GSM MAP and TIA-41 MAP – cdma2000 support (July 2004)

The purpose for this standard is to define and describe the functions necessary for roaming between ANSI-41 MAP and GSM MAP based networks in the support of roaming subscribers. This includes a capability to allow a subscriber to an ANSI-41 based network (e.g., a TDMA or CDMA native subscriber) with a mobile terminal supporting GPRS service to roam to a GPRS network in GSM foreign mode.

	Document No.	Version	Status	Issued date	Location
CCSA	CCSA-TSD-MC-X.S0023-B	1.0	Published	-09-2005	http://www.ccsa.org.cn/english/tc/files.php?docpath=/ITU-T/Q.1742/Q.1742.5
TIA	J-STD-038-B		Published	-08-2004	http://www.tiaonline.org/standards/catalog/index.cfm
TTA	TTAT.3G-X.S0023-B v1.0	1.0	Published	09-12-2005	http://www.tta.or.kr/standardDB/stnfile/TTAT.3G-X.S0023-B v1.0.zip
TTC	TS-3GB-X.S0023-Bv1.0	1.0	Published	03-09-2004	http://www.ttc.or.jp/imt2000/ts/tsxs0023-bv1.0.pdf

10.5.19 X.S0024-0 version 1.0 IP based location services (October 2005)

The purpose of this document is to specify the intersystem operations that enable a wireless system to provide IP-based location services.

	Document No.	Version	Status	Issued date	Location
CCSA	CCSA-TSD-MC-X.S0024-0 v1.0	1.0	Published	25-11-2007	http://www.ccsa.org.cn/english/tc/files.php?docpath=/ITU-T/Q.1742/Q.1742-7/
TIA	TIA-1020	0	Published	-01-2007	http://www.tiaonline.org/standards/catalog/index.cfm
TTA	TTAT.3G-X.S0024-0 v1.0	1.0	Published	24-12-2007	http://www.tta.or.kr/standardDB/stnfile/TTAT.3G-X.S0024-0 v1.0.zip

10.5.20 X.S0025-0 version 1.0 legacy MS domain step 2 (February 2006)

The legacy MS domain (LMSD) provides support for existing MSs in a network that supports IP bearers. This specification provides support for transport of compressed speech (e.g., 13K, SMV, EVRC, etc.) over IP bearers. All bearer features in the legacy network are supported.

Additionally, this specification provides support for placing bearer signal processing transcoders in the base station (BS) and/or in the media gateway (MGW). Network capabilities that support minimizing the number of transcoders in the bearer path are also supported.

	Document No.	Version	Status	Issued date	Location
CCSA	CCSA-X.S0025-0 v1.0	1.0	Published	31-01-2007	http://www.ccsa.org.cn/english/tc/files.php?docpath=/ITU-T/Q.1742
TIA	TIA-1022		Published	-04-2009	http://www.tiaonline.org/standards/catalog/index.cfm
TTA	TTAT.3G-X.S0025-0 v1.0	1.0	Published	15-02-2007	http://www.tta.or.kr/standardDB/stnfile/TTAT.3G-X.S0025-0 v1.0.zip
TTC	TS-3GB-X.S0025-0v1.0	1.0	Published	02-06-2006	http://www.ttc.or.jp/imt2000/ts/tsxs0025-0v1.0.pdf

10.5.21 X.S0027-000-0 version 1.0 presence overview (September 2004)

This document describes network aspects of the presence service.

	Document No.	Version	Status	Issued date	Location
CCSA	CCSA-TSD-MC-X.S0027-000-0	1.0	Published	-09-2005	http://www.ccsa.org.cn/english/tc/files.php?docpath=/ITU-T/Q.1742/Q.1742.5
TIA	TIA-1032.000		Published	-11-2004	http://www.tiaonline.org/standards/catalog/index.cfm
TTA	TTAT.3G-X.S0027-000-0 v1.0	1.0	Published	09-12-2005	http://www.tta.or.kr/standardDB/stnfile/TTAT.3G-X.S0027-000-0 v1.0.zip
TTC	TS-3GB-X.S0027-000-0v1.0	1.0	Published	30-11-2004	http://www.ttc.or.jp/imt2000/ts/tsxs0027-000-0v1.0.pdf

10.5.22 X.S0027-000-A version 1.0 presence overview (February 2008)

This document describes network aspects of the presence service.

	Document No.	Version	Status	Issued date	Location
TTA	TTAT.3G-X.S0027-000-A v1.0	1.0	Published	29-01-2010	http://www.tta.or.kr/data/ttasDown.jsp?where=14688&pk_num=TTAT.3G-X.S0027-000-A v1.0
TTC	TS-3GB-X.S0027-000-A v1.0	1.0	Published	12-06-2008	http://www.ttc.or.jp/j/document_list/free/TS/TS-3GB-X.S0027-000-Av1.0.pdf

10.5.22.1 X.S0027-001-0 version 1.0 presence service: architecture and functional description (September 2004)

This document describes the stage 2 (architectural solution and functionalities) for the presence service, which includes the elements necessary to realize the stage 1 requirements.

	Document No.	Version	Status	Issued date	Location
CCSA	CCSA-TSD-MC-X.S0027-001-0	1.0	Published	-09-2005	http://www.ccsa.org.cn/english/tc/files.php?docpath=/ITU-T/Q.1742/Q.1742.5
TIA	TIA-1032-001		Published	-11-2004	http://www.tiaonline.org/standards/catalog/index.cfm
TTA	TTAT.3G-X.S0027-001-0 v1.0	1.0	Published	09-12-2005	http://www.tta.or.kr/standardDB/stnfile/TTAT.3G-X.S0027-001-0 v1.0.zip
TTC	TS-3GB-X.S0027-001-0v1.0	1.0	Published	30-11-2004	http://www.ttc.or.jp/imt2000/ts/tsxs0027-001-0v1.0.pdf

10.5.22.2 X.S0027-002-0 version 1.0 presence stage 3 (February 2008)

This document describes the stage 2 security requirements, security architecture, security features and security mechanisms for the presence service.

	Document No.	Version	Status	Issued date	Location
TTA	TTAT.3G-X.S0027-002-0 v1.0	1.0	Published	29-01-2010	http://www.tta.or.kr/data/ttasDown.jsp?where=14688&pk_num=TTAT.3G-X.S0027-002-0 v1.0

10.5.22.3 X.S0027-003-0 version 1.0 presence security (February 2008)

This document provides the protocol details for the presence service within the IP multimedia (IM) core network (CN) subsystem based on the session initiation protocol (SIP) and SIP events.

	Document No.	Version	Status	Issued date	Location
TTA	TTAT.3G-X.S0027-003-0 v1.0	1.0	Published	29-01-2010	http://www.tta.or.kr/data/ttasDown.jsp?where=14688&pk_num=TTAT.3G-X.S0027-003-0 v1.0

10.5.22.4 X.S0027-004-0 version 1.0 network presence (February 2008)

	Document No.	Version	Status	Issued date	Location
TTA	TTAT.3G-X.S0027-004-0 v1.0	1.0	Published	29-01-2010	http://www.tta.or.kr/data/ttasDown.jsp?where=14688&pk_num=TTAT.3G-X.S0027-004-0 v1.0

10.5.23 X.S0028-000-0 version 1.0 cdma2000 packet data services: wireless local area network (WLAN) interworking – list of parts (March 2007)

This document describes the list of parts for WLAN interworking.

	Document No.	Version	Status	Issued date	Location
CCSA	CCSA-TSD-MC-X.S0028-000-0 v1.0	1.0	Published	25-11-2007	http://www.ccsa.org.cn/english/tc/files.php?docpath=/ITU-T/Q.1742/Q.1742-7/
TTA	TTAT.3G-X.S0028-000-0 v1.0	1.0	Published	24-12-2007	http://www.tta.or.kr/standardDB/stnfile/TTAT.3G-X.S0028-000-0 v1.0.zip
TTC	TS-3GB-X.S0028-000-0v1.0	1.0	Published	25-05-2007	http://www.ttc.or.jp/i/document_list/free/TS/TS-3GB-X.S0028-000-0v1.0.pdf

10.5.23.1 X.S0028-000-A version 1.0 cdma2000 packet data services: wireless local area network (WLAN) interworking – list of parts (June 2008)

This document describes the list of parts for WLAN interworking.

	Document No.	Version	Status	Issued date	Location
TTA	TTAT.3G-X.S0028-000-A v1.0	1.0	Published	29-01-2010	http://www.tta.or.kr/data/ttasDown.jsp?where=14688&pk_num=TTAT.3G-X.S0028-000-A v1.0
TTC	TS-3GB-X.S0028-000-A v1.0	1.0	Published	05-09-2008	http://www.ttc.or.jp/j/document_list/free/TS/TS-3GB-X.S0028-000-Av1.0.pdf

10.5.23.2 X.S0028-100-0 version 1.0 cdma2000 packet data services: wireless local area network (WLAN) interworking – access to internet (March 2007)

This document describes WLAN interworking – access to Internet, which includes the elements necessary to realize the stage 1 requirements.

	Document No.	Version	Status	Issued date	Location
CCSA	CCSA-TSD-MC-X.S0028-100-0 v1.0	1.0	Published	25-11-2007	http://www.ccsa.org.cn/english/tc/files.php?docpath=/ITU-T/Q.1742/Q.1742-7/
TTA	TTAT.3G-X.S0028-100-0 v1.0	1.0	Published	24-12-2007	http://www.tta.or.kr/standardDB/stnfile/TTAT.3G-X.S0028-100-0 v1.0.zip
TTC	TS-3GB-X.S0028-100-0v1.0	1.0	Published	25-05-2007	http://www.ttc.or.jp/j/document_list/free/TS/TS-3GB-X.S0028-100-0v1.0.pdf

10.5.23.3 X.S0028-200-0 version 1.0 cdma2000 packet data services: wireless local area network (WLAN) interworking – access to operator service and mobility (March 2007)

This document describes WLAN interworking – access to operator service and mobility, which includes the elements necessary to realize the stage 1 requirements.

	Document No.	Version	Status	Issued date	Location
CCSA	CCSA-TSD-MC-X.S0028-200-0 v1.0	1.0	Published	25-11-2007	http://www.ccsa.org.cn/english/tc/files.php?docpath=/ITU-T/Q.1742/Q.1742-7/
TTA	TTAT.3G-X.S0028-200-0 v1.0	1.0	Published	24-12-2007	http://www.tta.or.kr/standardDB/stnfile/TTAT.3G-X.S0028-200-0 v1.0.zip
TTC	TS-3GB-X.S0028-200-0v1.0	1.0	Published	25-05-2007	http://www.ttc.or.jp/j/document_list/free/TS/TS-3GB-X.S0028-200-0v1.0.pdf

10.5.23.4 X.S0028-200-A version 1.0 cdma2000 packet data services: wireless local area network (WLAN) interworking – access to operator service and mobility (June 2008)

This document describes WLAN interworking – access to operator service and mobility, which includes the elements necessary to realize the stage 1 requirements.

	Document No.	Version	Status	Issued date	Location
TTA	TTAT.3G-X.S0028-200-A v1.0	1.0	Published	29-01-2010	http://www.tta.or.kr/data/ttasDown.jsp?where=14688&pk_num=TTAT.3G-X.S0028-200-A v1.0
TTC	TS-3GB-X.S0028-200-A v1.0	1.0	Published	05-09-2008	http://www.ttc.or.jp/j/document_list/free/TS/TS-3GB-X.S0028-200-Av1.0.pdf

10.5.24 X.S0029-0 version 1.0 conferencing using the IP multimedia (IM) core network (CN) subsystem revision: 0 (May 2007)

This document provides the protocol details for conferencing within the IP multimedia core network subsystem (IMS) based on the session initiation protocol (SIP), SIP events and the session description protocol (SDP).

	Document No.	Version	Status	Issued date	Location
CCSA	CCSA-TSD-MC-X.S0029-0 v1.0	1.0	Published	25-11-2007	http://www.ccsa.org.cn/english/tc/files.php?docpath=/ITU-T/Q.1742/Q.1742-7/
TTA	TTAT.3G-X.S0029-0 v1.0	1.0	Published	24-12-2007	http://www.tta.or.kr/standardDB/stnfile/TTAT.3G-X.S0029-0 v1.0.zip
TTC	TS-3GB-X.S0029-0v1.0	1.0	Published	07-09-2007	http://www.ttc.or.jp/j/document_list/free/T/TS-3GB-X.S0029-0v1.0.pdf

10.5.25 X.S0030-0 version 1.0 MAP enhancements to support enhanced message waiting notification (MWN) (September 2005)

This document provides automatic roaming information flows that illustrate enhanced message waiting count operation. This document also describes the signaling protocol and signalling procedure modifications needed for enhanced message waiting count operation.

	Document No.	Version	Status	Issued date	Location
CCSA	CCSA-TSD-MC-X.S0030-0	1	Published	-01-2006	http://www.ccsa.org.cn/english/tc/files.php?docpath=/ITU-T/Q.1742/Q.1742_5
TIA	TIA-1055		Published	-03-2006	http://www.tiaonline.org/standards/catalog/index.cfm
TTA	TTAT.3G-X.S0030-0 v1.0	1.0	Published	19-04-2006	http://www.tta.or.kr/standardDB/stnfile/TTAT.3G-X.S0030-0 v1.0.zip
TTC	TS-3GB-X.S0030-0v1.0	1.0	Published	25-11-2005	http://www.ttc.or.jp/imt2000/ts/tsxs0030-0v1.0.pdf

10.5.26 X.S0033-0 version 1.0 OTA support for MEID (October 2005)

This document presents a recommended plan for the implementation of over-the-air (OTA) support for the mobile equipment identity (MEID).

	Document No.	Version	Status	Issued date	Location
CCSA	CCSA-TSD-MC-X.S0033-0	1.0	Published	-01-2006	http://www.ccsa.org.cn/english/tc/files.php?docpath=/ITU-T/Q.1742/Q.1742_5
TIA	TIA-1074		Published	-03-2006	http://www.tiaonline.org/standards/catalog/index.cfm
TTA	TTAT.3G-X.S0033-0 v1.0	1.0	Published	19-04-2006	http://www.tta.or.kr/standardDB/stnfile/TTAT.3G-X.S0033-0 v1.0.zip
TTC	TS-3GB-X.S0033-0v1.0	1.0	Published	25-11-2005	http://www.ttc.or.jp/imt2000/ts/tsxs0033-0v1.0.pdf

10.5.26.1 X.S0033-0 version 2.0 OTA support for MEID (February 2006)

This document presents a recommended plan for the implementation of over-the-air (OTA) support for the mobile equipment identity (MEID).

	Document No.	Version	Status	Issued date	Location
CCSA	CCSA-X.S0033-0 v2.0	2.0	Published	31-01-2007	http://www.ccsa.org.cn/english/tc/files.php?docpath=/ITU-T/Q.1742
TIA	TIA-1074-1 [E]		Published	-03-2006	http://www.tiaonline.org/standards/catalog/index.cfm
TTA	TTAT.3G-X.S0033-0 v2.0	2.0	Published	15-02-2007	http://www.tta.or.kr/standardDB/stnfile/TTAT.3G-X.S0033-0 v2.0.zip
TTC	TS-3GB-X.S0033-0v2.0	2.0	Published	02-06-2006	http://www.ttc.or.jp/imt2000/ts/tsxs0033-0v2.0.pdf

10.5.27 X.S0034-0 version 1.0 cdma2000/GPRS roaming (September 2004)

The scope of this document includes the roaming of a subscriber homed in a cdma2000 packet data system to a GPRS system and vice versa. The roaming between cdma2000 packet data systems is outside the scope of this document.

	Document No.	Version	Status	Issued date	Location
CCSA	CCSA-TSD-MC-X.S0034-0	1.0	Published	09-2005	http://www.ccsa.org.cn/english/tc/files.php?docpath=/ITU-T/Q.1742/Q.1742.5
TTA	TTAT.3G-X.S0034-0 v1.0	1.0	Published	09-12-2005	http://www.tta.or.kr/standardDB/stnfile/TTAT.3G-X.S0034-0 v1.0.zip
TTC	TS-3GB-X.S0034-0v1.0	1.0	Published	26-08-2005	http://www.ttc.or.jp/imt2000/ts/tsxs0034-0v1.0.pdf

10.5.28 X.S0037-0 version 1.0 tunneling support in simple IP (May 2006)

The scope of this specification includes tunneling support for the simple IP packet data subscriber roaming across cdma2000 packet data systems that are administered by different service providers. In this specification, the tunneling scheme is specified in the context of layer-two tunneling. Other tunneling schemes are not precluded.

	Document No.	Version	Status	Issued date	Location
CCSA	CCSA-X.S0037-0 v1.0	1.0	Published	31-01-2007	http://www.ccsa.org.cn/english/tc/files.php?docpath=/ITU-T/Q.1742
TIA	TIA-1092		Published	-10-2006	http://www.tiaonline.org/standards/catalog/index.cfm
TTA	TTAT.3G-X.S0037-0 v1.0	1.0	Published	15-02-2007	http://www.tta.or.kr/standardDB/stnfile/TTAT.3G-X.S0037-0 v1.0.zip
TTC	TS-3GB-X.S0037-0v1.0	1.0	Published	02-06-2006	http://www.ttc.or.jp/imt2000/ts/tsxs0037-0v1.0.pdf

10.5.29 X.R0039-0 version 1.0 packet switched voice (over IP) and video telephony services end-to-end design technical report (November 2005)

This document describes the end-to-end protocols and procedures for support of packet switched video telephony (PSVT) and voice-over-IP (VoIP) services over cdma2000^{®2} networks. The document describes the end-to-end PSVT and VoIP services and architectures.

	Document No.	Version	Status	Issued date	Location
CCSA	CCSA-X.R0039-0 v1.0	1.0	Published	31-01-2007	http://www.ccsa.org.cn/english/tc/files.php?docpath=/ITU-T/Q.1742
TTA	TTAT.3G-X.R0039-0 v1.0	1.0	Published	15-02-2007	http://www.tta.or.kr/standardDB/stnfile/TTAT.3G-X.R0039-0 v1.0.zip
TTC	TS-3GB-X.R0039-0v1.0	1.0	Published	02-06-2006	http://www.ttc.or.jp/imt2000/ts/tsxr0039-0v1.0.pdf

10.5.30 X.S0040-0 version 1.0 PPP-alternative protocol (AltPPP) for cdma2000 wireless IP network standard (January 2007)

This document defines the AltPPP protocol for packet data session setup for cdma2000 wireless IP networks.

	Document No.	Version	Status	Issued date	Location
CCSA	CCSA-TSD-MC-X.S0040-0 v1.0	1.0	Published	25-11-2007	http://www.ccsa.org.cn/english/tc/files.php?docpath=/ITU-T/Q.1742/Q.1742-7/
TTA	TTAT.3G-X.S0040-0 v1.0	1.0	Published	24-12-2007	http://www.tta.or.kr/standardDB/stnfile/TTAT.3G-X.S0040-0 v1.0.zip
TTC	TS-3GB-X.S0040-0v1.0	1.0	Published	25-05-2007	http://www.ttc.or.jp/j/document_list/free/TS/TS-3GB-X.S0040-0v1.0.pdf

10.5.31 X.S0042-0 version 1.0 voice call continuity between IMS and circuit switched systems (October 2007)

Voice call continuity allows users to move voice calls between the circuit-switched (CS) domain and the multimedia domain (MMD), connected through different Internet protocol – connectivity access networks (IPCANs) (e.g., WLAN, HRPD). This document defines an inter-technology domain transfer (DT) call model which supports procedures that allow a mobile subscriber to DT from an HRPD or WLAN multimedia session with a voice component to a 1x CS voice session and from a 1x CS voice session to a WLAN VoIP session.

	Document No.	Version	Status	Issued date	Location
TIA	TIA-1093		Published	-07-2008	http://www.tiaonline.org/standards/catalog/index.cfm
TTA	TTAT.3G-X.S0042-0v1.0	1.0	Published	29-01-2010	http://www.tta.or.kr/data/ttasDown.jsp?where=14688&pk_num=TTAT.3G-X.S0042-0 v1.0
TTC	TS-3GB-X.S0042-0v1.0	1.0	Published	07-03-2008	http://www.ttc.or.jp/j/document_list/free/TS/TS-3GB-X.S0042-0v1.0.pdf

10.5.31.1 X.S0042-A version 1.0 voice call continuity between IMS and circuit switched systems (August 2008)

Voice call continuity allows users to move voice calls between the circuit-switched (CS) domain and the multimedia domain (MMD), connected through different Internet protocol – connectivity access networks (IPCANs) (e.g., WLAN, HRPD). This document defines an inter-technology domain transfer (DT) call model which supports procedures that allow a mobile subscriber to DT from an HRPD or WLAN multimedia session with a voice component to a 1x CS voice session and from a 1x CS voice session to a WLAN VoIP session.

	Document No.	Version	Status	Issued date	Location
TTA	TTAT.3G-X.S0042-A v1.0	1.0	Published	29-01-2010	http://www.tta.or.kr/data/ttasDown.jsp?where=14688&pk_num=TTAT.3G-X.S0042-A v1.0
TTC	TS-3GB-X.S0042-A v1.0	1.0	Published	28-11-2008	http://www.ttc.or.jp/j/document_list/free/TS/TS-3GB-X.S0042-Av1.0.pdf

10.5.32 X.S0047-0 version 1.0 mobile IPv6 enhancements (February 2009)

This document defines enhancements to mobile IPv6 (MIPv6). The enhancements are in addition to the MIPv6 related requirements specified in [1]. This document applies to both 1x and HRPD systems.

	Document No.	Version	Status	Issued date	Location
TTA	TTAT.3G-X.S0047-0v1.0	1.0	Published	29-01-2010	http://www.tta.or.kr/data/ttasDown.jsp?where=14688&pk_num=TTAT.3G-X.S0047-0v1.0

10.5.33 X.S0048-0 version 1.0 short message service over IMS (November 2007)

The present document provides SMS over IMS procedures based upon [MMD Part-4] and [MMD Part-10]. The present document is applicable to application servers (ASs) and user equipments (UEs) providing SMS over IMS functionality. It is the goal of this specification to allow the core network to know as closely as possible the current accessibility of the UE and to deliver SMS efficiently across the appropriate access network while minimizing the impact on the legacy systems.

	Document No.	Version	Status	Issued date	Location
TIA	TIA-1109		Published	-04-2009	http://www.tiaonline.org/standards/catalog/index.cfm
TTA	TTAT.3G-X.S0048-0v1.0	1.0	Published	29-01-2010	http://www.tta.or.kr/data/ttasDown.jsp?where=14688&pk_num=TTAT.3G-X.S0048-0v1.0
TTC	TS-3GB-X.S0048-0v1.0	1.0	Published	07-03-2008	http://www.ttc.or.jp/j/document_list/free/TS/TS-3GB-X.S0048-0v1.0.pdf

10.5.34 X.S0049-0 version 1.0 all-IP network emergency call support (February 2008)

This document defines the stage 2 service description and normative stage 3 procedures in Annex D for emergency services in the IP multimedia core network Subsystem (IMS), including the elements necessary to support IP multimedia (IM) emergency services efficiently across the appropriate access network while minimizing the impact on the legacy systems.

	Document No.	Version	Status	Issued date	Location
TIA	TIA-1111		Published	-05-2009	http://www.tiaonline.org/standards/catalog/index.cfm
TTA	TTAT.3G-X.S0049-0v1.0	1.0	Published	29-01-2010	http://www.tta.or.kr/data/ttasDown.jsp?where=14688&pk_num=TTAT.3G-X.S0049-0v1.0

10.5.35 X.S0050-0 version 1.0 session initiation protocol (SIP) to ISDN user part (ISUP) interworking (January 2008)

The present document provides SMS over IMS procedures based upon [MMD Part-4] and [MMD Part-10]. The present document is applicable to application servers (ASs) and user equipments (UEs) providing SMS over IMS functionality. It is the goal of this specification to allow the core network to know as closely as possible the current accessibility of the UE and to deliver SMS efficiently across the appropriate access network while minimizing the impact on the legacy systems.

	Document No.	Version	Status	Issued date	Location
TIA	TIA-1112		Published	-10-2008	http://www.tiaonline.org/standards/catalog/index.cfm
TTA	TTAT.3G-X.S0050-0v1.0	1.0	Published	29-01-2010	http://www.tta.or.kr/data/ttasDown.jsp?where=14688&pk_num=TTAT.3G-X.S0050-0v1.0
TTC	TS-3GB-X.S0050-0v1.0	1.0	Published	07-03-2008	http://www.ttc.or.jp/j/document_list/free/TS/TS-3GB-X.S0050-0v1.0.pdf

10.5.36 X.R0052-0 version 1.0 all-IP system – MMD roaming technical report (August 2007)

This document contains example scenarios for mobiles which roam into a visited network that is different from their home network. It offers recommendations on how these roaming scenarios may be supported.

	Document No.	Version	Status	Issued date	Location
CCSA	CCSA-TSD-MC-X.R0052.0 v1.0	1.0	Published	25-11-2007	http://www.ccsa.org.cn/english/tc/files.php?docpath=/ITU-T/Q.1742/Q.1742-7/
TTA	TTAT.3G-X.R0052.0 v1.0	1.0	Published	24-12-2007	http://www.tta.or.kr/standardDB/stnfile/TTAT.3G-X.R0052.0 v1.0.zip
TTC	TS-3GB-X.R0052-0v1.0	1.0	Published	28-11-2007	http://www.ttc.or.jp/j/document_list/free/TS/TS-3GB-X.R0052-0v1.0.pdf

10.5.37 X.R0053-0 version 1.0 all-IP system – MMD policy enhancements (June 2008)

This document describes a policy-based approach to resource management, interactions between network services and network resources, and interactions between network services themselves.

	Document No.	Version	Status	Issued date	Location
TTA	TTAT.3G-X.S0053-0v1.0	1.0	Published	29-01-2010	http://www.tta.or.kr/data/ttasDown.jsp?where=14688&pk_num=TTAT.3G-X.S0053-0 v1.0

10.5.38 X.S0054-000-0 version 1.0 CAN wireless IP network overview and list of parts (December 2007)

This document provides an overview of the series of documents used to specify the converged access network (CAN). The CAN enables optimization and upgrade for packet data access network to support services to the customers. This document also describes the CAN network reference model.

	Document No.	Version	Status	Issued date	Location
TTA	TTAT.3G-X.S0054-000v1.0	1.0	Published	29-01-2010	http://www.tta.or.kr/data/ttasDown.jsp?where=14688&pk_num=TTAT.3G-X.S0054-000-0 v1.0
TTC	TS-3GB-X.S0054-000-0v1.0	1.0	Published	07-03-2008	http://www.ttc.or.jp/j/document_list/free/TS/TS-3GB-X.S0054-000-0v1.0.pdf

10.5.38.1 X.S0054-000-0 version 2.0 CAN wireless IP network overview and list of parts (August 2008)

This document provides an overview of the series of documents used to specify the converged access network (CAN). The CAN enables optimization and upgrade for packet data access network to support services to the customers. This document also describes the CAN network reference model.

	Document No.	Version	Status	Issued date	Location
TIA	TIA-1137.000-1		Published	-06-2009	http://www.tiaonline.org/standards/catalog/index.cfm
TTA	TTAT.3G-X.S0054-000-0v2.0	2.0	Published	29-01-2010	http://www.tta.or.kr/data/ttasDown.jsp?where=14688&pk_num=TTAT.3G-X.S0054-000-0 v2.0
TTC	TS-3GB-X.S0054-000-0v2.0	2.0	Published	28-11-2008	http://www.ttc.or.jp/j/document_list/free/TS/TS-3GB-X.S0054-000-0v2.0.pdf

10.5.38.2 X.S0054-000-A version 1.0 CAN wireless IP network overview and list of parts (August 2008)

This document provides an overview of the series of documents used to specify the converged access network (CAN). The CAN enables optimization and upgrade for packet data access network to support services to the customers. This document also describes the CAN network reference model.

	Document No.	Version	Status	Issued date	Location
TIA	TIA-1137.000-A		Published	-06-2009	http://www.tiaonline.org/standards/catalog/index.cfm
TTA	TTAT.3G-X.S0054-000-A v1.0	1.0	Published	29-01-2010	http://www.tta.or.kr/data/ttasDown.jsp?where=14688&pk_num=TTAT.3G-X.S0054-000-Av1.0
TTC	TS-3GB-X.S0054-000-A v1.0	1.0	Published	28-11-2008	http://www.ttc.or.jp/j/document_list/free/TS/TS-3GB-X.S0054-000-Av1.0.pdf

10.5.38.3 X.S0054-100-0 version 1.0 basic IP services for converged access network specification (December 2007)

This document defines the stage 2 and stage 3 requirements for simple IP access to the converged access network supporting ultra mobile broadband (UMB) wireless access.

	Document No.	Version	Status	Issued date	Location
TTA	TTAT.3G-X.S0054-100-0v1.0	1.0	Published	29-01-2010	http://www.tta.or.kr/data/ttasDown.jsp?where=14688&pk_num=TTAT.3G-X.S0054-100-0v1.0
TTC	TS-3GB-X.S0054-100-0v1.0	1.0	Published	07-03-2008	http://www.ttc.or.jp/j/document_list/free/TS/TS-3GB-X.S0054-100-0v1.0.pdf

10.5.38.4 X.S0054-100-0 version 2.0 basic IP services for converged access network specification (August 2008)

This document defines the stage 2 and stage 3 requirements for simple IP access to the converged access network supporting ultra mobile broadband (UMB) wireless access.

	Document No.	Version	Status	Issued date	Location
TIA	TIA-1137.100-1		Published	-06-2009	http://www.tiaonline.org/standards/catalog/index.cfm
TTA	TTAT.3G-X.S0054-100-0v2.0	2.0	Published	29-01-2010	http://www.tta.or.kr/data/ttasDown.jsp?where=14688&pk_num=TTAT.3G-X.S0054-100-0v2.0
TTC	TS-3GB-X.S0054-100-0v2.0	2.0	Published	28-11-2008	http://www.ttc.or.jp/j/document_list/free/TS/TS-3GB-X.S0054-100-0v2.0.pdf

10.5.38.5 X.S0054-102-0 version 1.0 multiple authentication and 2G-RUIM support for converged access network (December 2007)

This document describes stage 2 and stage 3 specification details for multiple-authentication and 2G R-UIM support for UMB.

	Document No.	Version	Status	Issued date	Location
TIA	TIA-1137.102		Published	-06-2009	http://www.tiaonline.org/standards/catalog/index.cfm
TTA	TTAT.3G-X.S0054-102-0v1.0	1.0	Published	29-01-2010	http://www.tta.or.kr/data/ttasDown.jsp?where=14688&pk_num=TTAT.3G-X.S0054-102-0 v1.0
TTC	TS-3GB-X.S0054-102-0v1.0	1.0	Published	07-03-2008	http://www.ttc.or.jp/j/document_list/free/TS/TS-3GB-X.S0054-102-0v1.0.pdf

10.5.38.6 X.S0054-102-0 version 2.0 multiple authentication and 2G-RUIM support for converged access network (August 2008)

This document describes stage 2 and stage 3 specification details for multiple-authentication and 2G R-UIM support for UMB.

	Document No.	Version	Status	Issued date	Location
TIA	TIA-1137.102-1		Published	-06-2009	http://www.tiaonline.org/standards/catalog/index.cfm
TTA	TTAT.3G-X.S0054-102-0v2.0	2.0	Published	29-01-2010	http://www.tta.or.kr/data/ttasDown.jsp?where=14688&pk_num=TTAT.3G-X.S0054-102-0 v2.0
TTC	TS-3GB-X.S0054-102-0v2.0	2.0	Published	28-11-2008	http://www.ttc.or.jp/j/document_list/free/TS/TS-3GB-X.S0054-102-0v2.0.pdf

10.5.38.7 X.S0054-110-0 version 1.0 MIPv4 specification in converged access network specification (December 2007)

This document defines the stage 2 and stage 3 requirements for client based mobile IPv4 access to the converged access network supporting ultra mobile broadband radio access.

	Document No.	Version	Status	Issued date	Location
TIA	TIA-1137.110		Published	-06-2009	http://www.tiaonline.org/standards/catalog/index.cfm
TTA	TTAT.3G-X.S0054-110-0v1.0	1.0	Published	29-01-2010	http://www.tta.or.kr/data/ttasDown.jsp?where=14688&pk_num=TTAT.3G-X.S0054-110-0 v1.0
TTC	TS-3GB-X.S0054-110-0v1.0	1.0	Published	07-03-2008	http://www.ttc.or.jp/j/document_list/free/TS/TS-3GB-X.S0054-110-0v1.0.pdf

10.5.38.8 X.S0054-110-0 version 2.0 MIPv4 specification in converged access network specification (December 2007)

This document defines the stage 2 and stage 3 requirements for client based mobile IPv4 access to the converged access network supporting ultra mobile broadband radio access.

	Document No.	Version	Status	Issued date	Location
TIA	TIA-1137.110-1		Published	-06-2009	http://www.tiaonline.org/standards/catalog/index.cfm
TTA	TTAT.3G-X.S0054-110-0v2.0	2.0	Published	29-01-2010	http://www.tta.or.kr/data/ttasDown.jsp?where=14688&pk_num=TTAT.3G-X.S0054-110-0 v2.0
TTC	TS-3GB-X.S0054-110-0v2.0	2.0	Published	28-11-2008	http://www.ttc.or.jp/j/document_list/free/TS/TS-3GB-X.S0054-110-0v2.0.pdf

10.5.38.9 X.S0054-210-0 version 1.0 CMIP based inter-AGW handoff (December 2007)

This document describes inter-AGW handoff operation using mobile IP (e.g., the AT implements MIP client functionality, called CMIP) for layer 3 mobility, for both active and idle handoffs.

	Document No.	Version	Status	Issued date	Location
TIA	TIA-1137.210		Published	-06-2009	http://www.tiaonline.org/standards/catalog/index.cfm
TTA	TTAT.3G-X.S0054-210-0v1.0	1.0	Published	29-01-2010	http://www.tta.or.kr/data/ttasDown.jsp?where=14688&pk_num=TTAT.3G-X.S0054-210-0 v1.0
TTC	TS-3GB-X.S0054-210-0v1.0	1.0	Published	07-03-2008	http://www.ttc.or.jp/j/document_list/free/TS/TS-3GB-X.S0054-210-0v1.0.pdf

10.5.38.10 X.S0054-220-0 version 1.0 PMIP support between AGW and LMA (December 2007)

This document defines the stage 2 and stage 3 requirements for supporting PMIP between AGW and HA. This document describes PMIP based simple IP address assignment and PMIP based inter-AGW handoff.

	Document No.	Version	Status	Issued date	Location
TIA	TIA-1137.220		Published	-06-2009	http://www.tiaonline.org/standards/catalog/index.cfm
TTC	TS-3GB-X.S0054-220-0v1.0	1.0	Published	07-03-2008	http://www.ttc.or.jp/j/document_list/free/TS/TS-3GB-X.S0054-220-0v1.0.pdf

10.5.38.11 X.S0054-220-0 version 2.0 PMIP support between AGW and LMA (August 2008)

This document defines the stage 2 and stage 3 requirements for supporting PMIP between AGW and HA. This document describes PMIP based simple IP address assignment and PMIP based inter-AGW handoff.

	Document No.	Version	Status	Issued date	Location
TIA	TIA-1137.220-1		Published	-06-2009	http://www.tiaonline.org/standards/catalog/index.cfm
TTA	TTAT.3G-X.S0054-220-0v2.0	2.0	Published	29-01-2010	http://www.tta.or.kr/data/ttasDown.jsp?where=14688&pk_num=TTAT.3G-X.S0054-220-0 v2.0
TTC	TS-3GB-X.S0054-220-0v2.0	2.0	Published	28-11-2008	http://www.ttc.or.jp/j/document_list/free/TS/TS-3GB-X.S0054-220-0v2.0.pdf

10.5.38.12 X.S0054-220-A version 1.0 PMIP support between AGW and LMA (August 2008)

This document defines the stage 2 and stage 3 requirements for supporting PMIP between AGW and HA. This document describes PMIP based simple IP address assignment and PMIP based inter-AGW handoff.

	Document No.	Version	Status	Issued date	Location
TIA	TIA-1137.220-A		Published	-06-2009	http://www.tiaonline.org/standards/catalog/index.cfm
TTA	TTAT.3G-X.S0054-220-A v1.0	1.0	Published	29-01-2010	http://www.tta.or.kr/data/ttasDown.jsp?where=14688&pk_num=TTAT.3G-X.S0054-220-A v1.0
TTC	TS-3GB-X.S0054-220-A v1.0	1.0	Published	28-11-2008	http://www.ttc.or.jp/j/document_list/free/TS/TS-3GB-X.S0054-220-Av1.0.pdf

10.5.38.13 X.S0054-300-0 version 1.0 QoS support for converged access network specification (December 2007)

This document defines the stage 3 requirements for QoS support in the converged access network (CAN).

	Document No.	Version	Status	Issued date	Location
TTA	TTAT.3G-X.S0054-300-0v1.0	1.0	Published	29-01-2010	http://www.tta.or.kr/data/ttasDown.jsp?where=14688&pk_num=TTAT.3G-X.S0054-300-0 v1.0
TTC	TS-3GB-X.S0054-300-0v1.0	1.0	Published	07-03-2008	http://www.ttc.or.jp/j/document_list/free/TS/TS-3GB-X.S0054-300-0v1.0.pdf
TIA	TIA-1137.300		Published	-06-2009	http://www.tiaonline.org/standards/catalog/index.cfm

10.5.38.14 X.S0054-400-0 version 1.0 converged access network accounting specification (December 2007)

This document defines offline accounting functionality in the CAN. It describes the functional responsibilities of the network elements including the accounting data to be collected by certain elements in the CAN architecture. It describes the protocol messages and message contents that are exchanged between eBSs in an AT's route set and the AGW, and between the AGW and the accounting server.

	Document No.	Version	Status	Issued date	Location
TTA	TTAT.3G-X.S0054-400-0v1.0	1.0	Published	29-01-2010	http://www.tta.or.kr/data/ttasDown.jsp?where=14688&pk_num=TTAT.3G-X.S0054-400-0 v1.0
TTC	TS-3GB-X.S0054-400-0v1.0	1.0	Published	07-03-2008	http://www.ttc.or.jp/j/document_list/free/TS/TS-3GB-X.S0054-400-0v1.0.pdf
TIA	TIA-1137.400		Published	-06-2009	http://www.tiaonline.org/standards/catalog/index.cfm

10.5.38.15 X.S0054-610-0 version 1.0 UMB and HRPD/1x interworking (August 2008)

This document defines the stage 2 and stage 3 requirements for interworking between ultra mobile broadband (UMB) wireless access and HRPD/1x wireless access in the converged access network.

	Document No.	Version	Status	Issued date	Location
TTA	TTAT.3G-X.S0054-610-0v1.0	1.0	Published	29-01-2010	http://www.tta.or.kr/data/ttasDown.jsp?where=14688&pk_num=TTAT.3G-X.S0054-610-0 v1.0
TIA	TIA-1137.610		Published	-06-2009	http://www.tiaonline.org/standards/catalog/index.cfm

10.5.38.16 X.S0054-910-0 version 1.0 CAN data dictionary (December 2007)

This document defines AAA data dictionary in the CAN system. It defines 3GPP2 specific RADIUS attributes and Diameter AVPs. It describes the AAA RADIUS attributes and Diameter AVP for different interfaces, such as eBS/SRNC-AGW interface, AGW-AAA interface, HA-AAA interface, etc.

	Document No.	Version	Status	Issued date	Location
TTC	TS-3GB-X.S0054-910-0v1.0	1.0	Published	07-03-2008	http://www.ttc.or.jp/j/document_list/free/TS/TS-3GB-X.S0054-910-0v1.0.pdf
TIA	TIA-1137.910		Published	-06-2009	http://www.tiaonline.org/standards/catalog/index.cfm

10.5.38.17 X.S0054-910-0 version 2.0 CAN data dictionary (August 2008)

This document defines AAA data dictionary in the CAN system. It defines 3GPP2 specific RADIUS attributes and Diameter AVPs. It describes the AAA RADIUS attributes and Diameter AVP for different interfaces, such as eBS/SRNC-AGW interface, AGW-AAA interface, HA-AAA interface, etc.

	Document No.	Version	Status	Issued date	Location
TIA	TIA-1137.910-1		Published	-06-2009	http://www.tiaonline.org/standards/catalog/index.cfm
TTA	TTAT.3G-X.S0054-910-0v1.0	1.0	Published	29-01-2010	http://www.tta.or.kr/data/ttasDown.jsp?where=14688&pk_num=TTAT.3G-X.S0054-910-0 v1.0
TTC	TS-3GB-X.S0054-910-0v2.0	2.0	Published	28-11-2008	http://www.ttc.or.jp/j/document_list/free/TS/TS-3GB-X.S0054-910-0v2.0.pdf

10.5.38.18 X.S0054-910-A version 1.0 CAN data dictionary (August 2008)

This document defines AAA data dictionary in the CAN system. It defines 3GPP2 specific RADIUS attributes and Diameter AVPs. It describes the AAA RADIUS attributes and Diameter AVP for different interfaces, such as eBS/SRNC-AGW interface, AGW-AAA interface, HA-AAA interface, etc.

	Document No.	Version	Status	Issued date	Location
TTA	TTAT.3G-X.S0054-910-A v1.0	1.0	Published	29-01-2010	http://www.tta.or.kr/data/ttasDown.jsp?where=14688&pk_num=TTAT.3G-X.S0054-910-A v1.0
TTC	TS-3GB-X.S0054-910-A v1.0	1.0	Published	28-11-2008	http://www.ttc.or.jp/j/document_list/free/TS/TS-3GB-X.S0054-910-Av1.0.pdf

10.5.39 X.S0055-0 version 1.0 MMD supplementary services (May 2009)

This document provides the protocol details and example call flows for providing supplementary service to mobile users connected to multimedia domain (MMD) subsystem based on the session initiation protocol (SIP) and the session description protocol (SDP).

	Document No.	Version	Status	Issued date	Location
TTA	TTAT.3G-X.S0055-0v1.0	1.0	Published	29-01-2010	http://www.tta.or.kr/data/ttasDown.jsp?where=14688&pk_num=TTAT.3G-X.S0055-0 v1.0

10.5.40 X.S0057 version 1.0 E-UTRAN – eHRPD connectivity and interworking: core network aspects (December 2009)

The scope of this document covers support for an evolved access terminal (UE as known in this specification) using the eHRPD air interface and the S101 tunnel to access the core network architecture defined in 3GPP TS 23.401 and TS 23.402.

	Document No.	Version	Status	Issued date	Location
TTA	TTAT.3G-X.S0057-0v1.0	1.0	Published	29-01-2010	http://www.tta.or.kr/data/ttasDown.jsp?where=14688&pk_num=TTAT.3G-X.S0057-0 v1.0

10.5.41 X.S0058 version 1.0 WiMAX-HRPD interworking: core network aspects (January 2009)

This document defines a method of interworking between WiMAX and HRPD systems.

	Document No.	Version	Status	Issued date	Location
TTA	TTAT.3G-X.S0058-0v1.0	1.0	Published	29-01-2010	http://www.tta.or.kr/data/ttasDown.jsp?where=14688&pk_num=TTAT.3G-X.S0058-0v1.0

10.5.42 X.S0060 version 1.0 HRPD support for emergency services (July 2008)

This document covers the access network aspects that are essential for the provisioning of IMS emergency services.

	Document No.	Version	Status	Issued date	Location
TTA	TTAT.3G-X.S0060-0v1.0	1.0	Published	29-01-2010	http://www.tta.or.kr/data/ttasDown.jsp?where=14688&pk_num=TTAT.3G-X.S0060-0v1.0

10.5.43 X.S0061 version 1.0 network PMIP support (December 2008)

The scope of this document covers support for PMIPv4 and PMIPv6 between PDSN and LMA/HA, called network PMIP. It includes network PMIP based simple IP address assignment and network PMIP tunnel management. The transport between PDSN and HA/LMA may use IPv4 or IPv6.

	Document No.	Version	Status	Issued date	Location
TTA	TTAT.3G-X.S0061-0v1.0	1.0	Published	29-01-2010	http://www.tta.or.kr/data/ttasDown.jsp?where=14688&pk_num=TTAT.3G-X.S0061-0v1.0

SERIES OF ITU-T RECOMMENDATIONS

Series A	Organization of the work of ITU-T
Series D	General tariff principles
Series E	Overall network operation, telephone service, service operation and human factors
Series F	Non-telephone telecommunication services
Series G	Transmission systems and media, digital systems and networks
Series H	Audiovisual and multimedia systems
Series I	Integrated services digital network
Series J	Cable networks and transmission of television, sound programme and other multimedia signals
Series K	Protection against interference
Series L	Construction, installation and protection of cables and other elements of outside plant
Series M	Telecommunication management, including TMN and network maintenance
Series N	Maintenance: international sound programme and television transmission circuits
Series O	Specifications of measuring equipment
Series P	Terminals and subjective and objective assessment methods
Series Q	Switching and signalling
Series R	Telegraph transmission
Series S	Telegraph services terminal equipment
Series T	Terminals for telematic services
Series U	Telegraph switching
Series V	Data communication over the telephone network
Series X	Data networks, open system communications and security
Series Y	Global information infrastructure, Internet protocol aspects and next-generation networks
Series Z	Languages and general software aspects for telecommunication systems