

Superseded by a more recent version



INTERNATIONAL TELECOMMUNICATION UNION

ITU-T

TELECOMMUNICATION
STANDARDIZATION SECTOR
OF ITU

H.242

(07/97)

SERIES H: AUDIOVISUAL AND MULTIMEDIA SYSTEMS
Infrastructure of audiovisual services – Communication
procedures

**System for establishing communication
between audiovisual terminals using digital
channels up to 2 Mbit/s**

ITU-T Recommendation H.242
Superseded by a more recent version

(Previously CCITT Recommendation)

Superseded by a more recent version

ITU-T H-SERIES RECOMMENDATIONS AUDIOVISUAL AND MULTIMEDIA SYSTEMS

| | |
|--|--------------------|
| Characteristics of transmission channels used for other than telephone purposes | H.10–H.19 |
| Use of telephone-type circuits for voice-frequency telegraphy | H.20–H.29 |
| Telephone circuits or cables used for various types of telegraph transmission or simultaneous transmission | H.30–H.39 |
| Telephone-type circuits used for facsimile telegraphy | H.40–H.49 |
| Characteristics of data signals | H.50–H.99 |
| CHARACTERISTICS OF VISUAL TELEPHONE SYSTEMS | H.100–H.199 |
| INFRASTRUCTURE OF AUDIOVISUAL SERVICES | H.200–H.399 |
| General | H.200–H.219 |
| Transmission multiplexing and synchronization | H.220–H.229 |
| Systems aspects | H.230–H.239 |
| Communication procedures | H.240–H.259 |
| Coding of moving video | H.260–H.279 |
| Related systems aspects | H.280–H.299 |
| Systems and terminal equipment for audiovisual services | H.300–H.399 |

For further details, please refer to ITU-T List of Recommendations.

Superseded by a more recent version

ITU-T RECOMMENDATION H.242

SYSTEM FOR ESTABLISHING COMMUNICATION BETWEEN AUDIOVISUAL TERMINALS USING DIGITAL CHANNELS UP TO 2 Mbit/s

Summary

Videophone, videoconferencing and other conversational multimedia services on fixed bit-rate networks (such as ISDN) depend on the multiplex structure described in Recommendation H.221. The control channel within this multiplex is the so-called BAS position in each frame. This Recommendation describes all the point-to-point procedures involving the BAS codes: initial capability exchange and mode initialization, including restricted-network operation; in-session mode switching, including audiovisual mode changes and activation of data channels; other procedures, including single/multiple channel interconnection, encryption, mode-preference indication, conveyance of network addresses, and use of BAS extension codes.

Source

ITU-T Recommendation H.242 was revised by ITU-T Study Group 16 (1997-2000) and was approved under the WTSC Resolution No. 1 procedure on the 10th of July 1997.

Superseded by a more recent version

FOREWORD

ITU (International Telecommunication Union) is the United Nations Specialized Agency in the field of telecommunications. The ITU Telecommunication Standardization Sector (ITU-T) is a permanent organ of the ITU. The ITU-T is responsible for studying technical, operating and tariff questions and issuing Recommendations on them with a view to standardizing telecommunications on a worldwide basis.

The World Telecommunication Standardization Conference (WTSC), which meets every four years, establishes the topics for study by the ITU-T Study Groups which, in their turn, produce Recommendations on these topics.

The approval of Recommendations by the Members of the ITU-T is covered by the procedure laid down in WTSC Resolution No. 1.

In some areas of information technology which fall within ITU-T's purview, the necessary standards are prepared on a collaborative basis with ISO and IEC.

NOTE

In this Recommendation, the expression "Administration" is used for conciseness to indicate both a telecommunication administration and a recognized operating agency.

INTELLECTUAL PROPERTY RIGHTS

The ITU draws attention to the possibility that the practice or implementation of this Recommendation may involve the use of a claimed Intellectual Property Right. The ITU takes no position concerning the evidence, validity or applicability of claimed Intellectual Property Rights, whether asserted by ITU members or others outside of the Recommendation development process.

As of the date of approval of this Recommendation, the ITU had not received notice of intellectual property, protected by patents, which may be required to implement this Recommendation. However, implementors are cautioned that this may not represent the latest information and are therefore strongly urged to consult the TSB patent database.

© ITU 1998

All rights reserved. No part of this publication may be reproduced or utilized in any form or by any means, electronic or mechanical, including photocopying and microfilm, without permission in writing from the ITU.

Superseded by a more recent version

CONTENTS

| | <i>Page</i> |
|--|-------------|
| 1 Scope | 1 |
| 2 Normative references..... | 1 |
| 3 Definitions and conventions | 2 |
| 4 Abbreviations | 2 |
| 5 Terminal capabilities | 3 |
| 5.1 Audio capabilities | 3 |
| 5.2 Video capabilities..... | 3 |
| 5.3 Transfer rate capabilities | 8 |
| 5.4 Data capabilities | 8 |
| 5.5 Terminals on restricted networks: capability | 8 |
| 5.6 Encryption and extension-BAS capabilities..... | 8 |
| 5.7 Null capability..... | 8 |
| 6 Transmission..... | 9 |
| 6.1 Transmission modes..... | 9 |
| 6.2 Establishment of compatible modes of operation | 9 |
| 7 Frame structure..... | 9 |
| 8 Basic sequences for in-channel procedures | 10 |
| 8.1 Capability exchange sequence A | 10 |
| 8.2 Mode switching sequence B..... | 12 |
| 8.3 Frame reinstatement sequence C..... | 12 |
| 9 Mode initialization, dynamic mode switching and Mode 0 forcing | 14 |
| 9.1 Mode initialization procedure | 14 |
| 9.2 Dynamic mode switching (see Figure 2)..... | 15 |
| 9.3 Mode 0 forcing procedure..... | 17 |
| 9.4 Mode mismatch recovery procedure | 19 |
| 9.5 Procedure for influencing the Mode transmitted from remote endpoint..... | 19 |
| 10 Recovery from fault conditions | 19 |
| 10.1 Unexpected loss of synchronization or frame alignment | 19 |
| 10.2 Recovery from loss of connection(s) | 20 |
| 11 Network consideration: call connection, disconnection and call transfer..... | 21 |
| 11.1 Call connection | 21 |
| 11.2 Terminal disconnection..... | 22 |
| 11.3 Call transfer..... | 22 |
| 11.4 Conferencing..... | 22 |
| 12 Procedure for activation and de-activation of data channels | 23 |
| 12.1 General | 23 |
| 12.2 Procedures applicable to all data types | 23 |
| 12.3 Equipment capable of operating using protocol according to Recommendation T.120 | 23 |
| 12.4 Data equipment not conforming to Recommendation T.120 | 24 |
| 12.5 Dummy data..... | 24 |
| 13 Procedures for operation in restricted networks | 25 |
| 13.1 Network aspects | 25 |
| 13.2 Terminal-network configurations and properties | 26 |
| 13.3 Transmission formats | 27 |
| 13.4 Procedures..... | 28 |

Superseded by a more recent version

| | | |
|---|--|----|
| 14 | Procedure for use of BAS-extension codes | 35 |
| 15 | Bit occupancy and the sequencing of BAS codes | 35 |
| 16 | Procedure for dealing with single/multiple channel interconnection | 38 |
| 17 | Procedure for use of encryption control signal channel | 38 |
| 18 | Transmission of network addresses | 39 |
| 18.1 | Address of initial connection | 39 |
| 18.2 | Addresses of additional connections | 39 |
| 19 | Informative codes | 41 |
| 19.1 | Recommendation version identification..... | 41 |
| 19.2 | Manufacturer/type identification..... | 41 |
| Appendix I – Initialization: Case of videophone to Recommendation H.320, type Xb | | 41 |
| Appendix II – Mode-0 forcing: Case of videophone to Recommendation H.320, type Xb | | 44 |
| Appendix III – Example of use of message structure | | 45 |
| III.1 | Initial capability exchange, including MBE-cap | 45 |
| III.2 | Subsequent capability exchange, including MBE capability message | 46 |
| III.3 | Mode switch to non-standard mode using MBE command | 46 |
| Appendix IV – Examples of symmetrical and asymmetrical transmission modes | | 46 |
| IV.1 | Example of symmetrical transmission mode..... | 46 |
| IV.2 | Example of asymmetrical transmission mode | 47 |
| IV.3 | Example of unsymmetrical video mode | 47 |
| Appendix V – Examples relating to data transmissions..... | | 47 |
| V.1 | Transfer-rate 1B, audio at 48 kbit/s, no video or video off..... | 47 |
| V.2 | Transfer-rate 1B, audio at 16 kbit/s, no video or video off..... | 48 |
| V.3 | Transfer-rate 1B, audio at 16 kbit/s, video on..... | 48 |
| V.4 | Transfer-rate 2B, audio at 48 kbit/s, video on..... | 48 |
| V.5 | Transfer-rate 2B, audio at 16 kbit/s, video on..... | 48 |
| Appendix VI – Hierarchical capability BAS codes | | 49 |
| Appendix VII – Interpretation of received audio capability BAS codes | | 49 |
| Appendix VIII – Examples of legal and illegal capability BAS sequences..... | | 50 |
| Appendix IX – BAS control and indication codes..... | | 51 |
| Appendix X – An algorithm to determine whether an incoming bit stream was encoded by μ -law or A-law PCM. | | 54 |
| X.1 | Basic determination algorithm | 54 |
| X.2 | Possible extensions and refinements | 55 |

Superseded by a more recent version

Recommendation H.242

SYSTEM FOR ESTABLISHING COMMUNICATION BETWEEN AUDIOVISUAL TERMINALS USING DIGITAL CHANNELS UP TO 2 Mbit/s

(revised in 1997)

1 Scope

This Recommendation should be associated with Recommendations H.221 [1] and H.230 [2].

A number of applications utilizing narrow (3 kHz) and wideband (7 kHz) speech together with video and/or data have been identified, including high quality telephony, audio and videoconferencing (with or without various kinds of telematic aids), audiographic conferencing and so on. More applications will undoubtedly emerge in the future.

To provide these services, a scheme is recommended in which a channel accommodates speech, and optionally video and/or data at several rates, in a number of different modes. Signalling procedures are required to establish a compatible mode upon call set-up, to switch between modes during a call and to allow for call transfer.

Some services will require only a single channel which could, according to the procedures in this Recommendation, be B (64 kbit/s), H₀ (384 kbit/s), H₁₁ (1536 kbit/s) or H₁₂ (1920 kbit/s). Other services will require the establishment of two or more connections providing B or H₀ channels: in such cases the first established is called hereafter the initial channel while the others are called additional channels. Unless otherwise specified, all references to Frame Alignment Signal (FAS) Bit-rate Allocation Signal (BAS) and Service Channel (SC) refer to the initial channel or, in the case of a higher-order channel, to the time-slot No. 1 of this channel.

All audio and audiovisual terminals using G.722 audio coding and/or G.711 speech coding or other standardized audio codings at lower bit rates should be compatible to permit connection between any two terminals. This implies that a common mode of operation has to be established for the call. The initial mode might be the only one used during a call or, alternatively, switching to another mode can occur as needed depending on the capabilities of the terminals. Thus, for these terminals an in-channel procedure for dynamic mode switching is required.

The following clauses develop these considerations and describe recommended in-channel procedures.

2 Normative references

The following ITU-T Recommendations and other references contain provisions which, through reference in this text, constitute provisions of this Recommendation. At the time of publication, the editions indicated were valid. All Recommendations and other references are subject to revision; all users of this Recommendation are therefore encouraged to investigate the possibility of applying the most recent edition of the Recommendations and other references listed below. A list of the currently valid ITU-T Recommendations is regularly published.

- [1] ITU-T Recommendation H.221 (1995), *Frame structure for a 64 to 1920 kbit/s channel in audiovisual teleservices.*
- [2] ITU-T Recommendation H.230 (1995), *Frame-synchronous control and indication signals for audiovisual systems.*
- [3] ISO/IEC 13871:1995, *Information technology – Telecommunications and information exchange between systems – Private telecommunications networks – Digital channel aggregation.*
- [4] ITU-T Recommendation H.224 (1994), *A real time control protocol for simplex applications using the H.221 LSD/HSD/MLP channels.*
- [5] ITU-T Recommendation T.120 (1996), *Data protocols for multimedia conferencing.*

Superseded by a more recent version

- [6] ITU-T Recommendation H.244 (1995), *Synchronized aggregation of multiple 64 or 56 kbit/s channels*.
- [7] ITU-T Recommendation H.243 (1996), *Procedures for establishing communication between three or more audiovisual terminals using digital channels up to 1920 kbit/s*.
- [8] ITU-T Recommendation H.261 (1993), *Video codec for audiovisual systems at $p \times 64$ kbit/s*.
- [9] ITU-T Recommendation H.262 (1995) | ISO/IEC 13818-2:1996, *Information technology – Generic coding of moving pictures and associated audio: Video*.
- [10] ITU-T Recommendation H.263 (1996), *Video coding for low bit rate communication*.

3 Definitions and conventions

This Recommendation defines the following terms:

3.1 H.221 frame structure; H.221 framing: Frame structure according to Recommendation H.221, as set out in reference [1].

3.2 T.120 protocol: See reference [5].

3.3 capset: Abbreviation for "Capability set".

3.4 calling end: Endpoint which requests the first 64/56-channel connection of the whole session, resulting in the establishment of the "initial channel". If during fault-recovery procedures the initial channel is transferred to another connection, this does not affect the definition.

3.5 called end: Endpoint which accepts the first 64/56-channel connection request of the whole session, resulting in the establishment of the "initial channel". If during fault-recovery procedures the initial channel is transferred to another connection, this does not affect the definition.

3.6 {capability}: Capability values are those listed as attributes (100), (101), (110), in Tables A.1, A.2, A.3 and A.5 of Recommendation H.221 together with some SBE values (Note) identified as capabilities in Recommendation H.230 [2]; brackets { } have been used in some places to enclose capability value(s).

NOTE – These SBE capabilities include the codes TIC, CIC, VIM and MIH.

3.7 [command]: Command values are those listed as attributes (000), (001), (010), and (011) in Table A.1/H.221, and attributes labelled as Commands in Tables A.2, A.3 and A.5 of Recommendation H.221; brackets [] have been used in some places to enclose command value(s).

3.8 restricted network: See 13.1.

4 Abbreviations

This Recommendation uses the following abbreviations:

BAS Bit-rate Allocation Signal, see reference [1]

capset capability set

FAS Frame Alignment Signal, see reference [1]

H.221 See reference [1]

H-MLP Logical data sub-channel named "H-MLP", see reference [1]

HSD Logical data sub-channel named "HSD", see reference [1]

LSD Logical data sub-channel named "LSD", see reference [1]

MLP Logical data sub-channel named "MLP", see reference [1]

NCA, NIA, NIS, NIC, NID, see reference [2]

SBE See Recommendation H.230 [2]

Superseded by a more recent version

5 Terminal capabilities

The procedures in this Recommendation are intended to ensure that only those signals are transmitted which can be received and appropriately treated by the remote terminal, without ambiguity. This requires that the capabilities of each terminal to receive and decode be known to the other terminal. Some capabilities are defined with a hierarchical structure: a terminal with capability value N is then also capable of all lower values. Where there is no hierarchy, then two or more codes of the same type may have to be transmitted in successive frames.

The following subclauses define audio, video, transfer rate, and data rate capabilities of a terminal. It is not necessary that a terminal understand or store all incoming capabilities. Those which are not understood, or which cannot be used (because the terminal has no means to transmit corresponding information), can be ignored. The terminal shall ignore any escape sequences in the ranges (111)[15-18, 21-23](000-110)[0-31] which it does not recognize, when occurring within a capability set.

The capability of a terminal to receive and decode various signals is made known to the other terminal by transmission (see 8.1) of its capability set, consisting of the BAS-capability marker followed by all of the current capabilities. In this regard, "current" capability means not necessarily all the latent capabilities of the terminal but those relevant to the intended application. If, for example, a terminal is equipped for operation on up to six connections but the user currently only desires operation on one or two, then capability {2B} rather than {6B} shall be sent. Again, if a terminal has an external data port but nothing is connected there, data capabilities should not be sent, since they may cause the needless opening of a data channel from the remote end.

The capability codes are specified in Annex A/H.221; Table 5 (see 15) summarizes the capabilities which may be included in a valid set. The transmission order is generally immaterial, with the exceptions that video picture format values shall be followed by minimum picture interval values and Nil_Data may be used to separate real from Dummy data rates supported (see 12.5); it is also strongly suggested that {restricted_required} be placed at the beginning of the set, following cap-mark, so that the remote end may react quickly if it is necessary to transmit the frame structure in a different bit position. Any included MBE messages of capability (such as that for Recommendations H.262/H.263) must, of course, follow the byte sequence specified in 2.2.3/H.230.

5.1 Audio capabilities

Audio capability values are defined in Annex A/H.221.

All audiovisual terminals intended for interregional operation shall be capable of transmitting and receiving A- and μ -law G.711.

Normally, it is not necessary to transmit G.711 capabilities in a set containing other audio capabilities. Inclusion of just one value (A or μ) shall be interpreted as a request not to send audio signals encoded to the other law (see 9.3.1).

5.2 Video capabilities

The following types of video encoding can be controlled by the procedures of this Recommendation: **H.261, H.262, H.263 and ISO/MPEG-1.**

The H.261 and ISO/MPEG-1 video capabilities are conveyed by BAS codes defined in Recommendation H.221, and the H.262 and H.263 capabilities are conveyed by a single MBE message defined in this Recommendation. The possible operating modes and parameters are summarised thus:

- H.261 in one of two picture formats: QCIF or CIF; in both cases there is one parameter, the Minimum Picture Interval (MPI), having four possible values;
- H.262 in one of three picture formats: SIF, 2SIF or 4SIF; there are two parameters – MPI (9 values) and two Profiles (Simple, Main);
- H.263 in one of five picture formats: SQCIF, QCIF, CIF, 4CIF or 16CIF; in all cases there is one parameter, the minimum picture interval (MPI), having nine possible values;
- this Recommendation does not provide for details of formats or parameters for ISO/MPEG-1 coded video streams.

Superseded by a more recent version

The H.261, H.263 and H.262 capabilities are hierarchical: any terminal declaring H.263 capability shall also declare H.261 capability; in general terms any terminal declaring H.262 capability shall also declare both H.261 and H.263 capabilities. There are related stipulations regarding spatial resolution and MPI values, as detailed in 5.2.3 and 5.2.4 below.

5.2.1 H.261 capabilities

The H.261 quarter-CIF value shall be followed by one MPI value. The H.261 full-CIF value shall be followed by two MPI values, the first applicable to quarter-CIF and the other to CIF.

5.2.2 H.262 and H.263 capabilities MBE message format

For H.262 and H.263 operation, the capabilities exchange is handled by an MBE message (see 2.2.3/H.230). This MBE message uses the type identification byte <H.262/H.263> (see Table 2/H.230), which indicates that enhanced video capability information follows. A terminal shall signal the H.262 and H.263 capabilities by including within its capset the message:

{ Start-MBE / N / <H.262/3> / B₁ / . . . / B_{N-1} }

This message may contain one or more capabilities for H.263 alone, or capabilities for both H.262 and H.263. It is not allowed for a terminal to signal only H.262 capabilities in this message.

For H.262, one byte is needed to signal each capability for a particular image format with its associated parameters (see 5.2.3); each H.263 capability may require one, two or three bytes (see 5.2.4). The ordering of the bytes within the single MBE message is as follows:

First byte B₁ is {highest format of H.263} then follow 0, 1 or 2 optional parameter bytes

then {further formats if needed (see 5.2.4) in descending order of resolution – with any optional parameter bytes}

then {highest format of H.262}

then {further formats if needed (see 5.2.3) in descending order of resolution}

An extension code has been defined for future expansion of the H.262/H.263 capabilities. This code has the value 01111111. This code is reserved, and it shall not be used until its use is defined at a later time. If this code is encountered in an H.262/H.263 MBE message, all of the data following this code shall be ignored. The appearance of this code in an MBE message does not affect the meaning of any bytes **prior** to this code byte.

5.2.3 H.262 capability byte

For H.262, one byte is necessary to signal the capabilities for a given image size format.

Although declaration of a capability for one of the image formats does mean that the endpoint has the capability to receive all lower formats of the same profile, and if the profile declared is MPML, then the endpoint can receive all SPML formats up to the stated value; it may still be necessary to transmit one or more further separate bytes (still in the same MBE message) to convey a different MPI value or profile for lower formats, thus:

- The MPI value specified in each byte applies to the format and profile specified therein; it also applies to all lower formats in that profile, unless an MPI value is explicitly defined in one or more separate capability bytes for lower formats.
- The MPI value specified for an MPML format also applies to SPML at that format and all lower formats, unless MPI values are explicitly defined in either MPML or SPML bytes for lower formats; an MPI value in an MPML byte never applies to an SPML format equal to or lower than that for which an explicit SPML value has been included in the message.

As an example, the sequence {(4SIF,MPML,MPI_x); (2SIF/SPML/MPI_y); (SIF,MPML,MLI_z)} shall be taken to mean that there is also capability to receive (4SIF,SPML,MPI_x); (2SIF,MPML,MPI_x); and (SIF,SPML,MPI_y).

Superseded by a more recent version

The H.262 capability byte is structured thus:

| | | | | | | | |
|---|-----|---|---|---|--------------|---|---------|
| 1 | 2 | 3 | 4 | 5 | 6 | 7 | 8 |
| 0 | MPI | | | | H.262_Format | | Profile |

The first bit of an H.262 capability has a value of zero.

The MPI field defines the Minimum Picture Interval that the decoder can process at the given format and profile.

The H.262_Format field defines the resolution group.

The Profile field indicates whether the capability byte applies to the simple profile or to the main profile.

The values for these three fields are as follows:

| MPI parameter | |
|---------------|-----------|
| 0000 | MPI_1 |
| 0001 | MPI_2 |
| 0010 | MPI_3 |
| 0011 | MPI_4 |
| 0100 | MPI_5 |
| 0101 | MPI_6 |
| 0110 | MPI_10 |
| 0111 | MPI_15 |
| 1000 | MPI_30 |
| 1001-1110 | Reserved |
| 1111 | Forbidden |

| H.262_Format | |
|--------------|------------|
| 00 | Reserved |
| 01 | H.262_SIF |
| 10 | H.262_2SIF |
| 11 | H.262_4SIF |

| Profile parameter | |
|-------------------|------------|
| 0 | H.262_SPML |
| 1 | H.262_MPML |

Format capability values

H.262_SIF Can decode H.262 video to any of the three SIF image formats (CIF, SIF30, SIF25).

H.262_2SIF Can decode H.262 video to either of the two 2SIF formats (2SIF30, 2SIF25), and to all SIF image formats.

H.262_4SIF Can decode H.262 video to either of the two 4SIF formats (4SIF30, 4SIF25), and to all SIF and 2SIF image formats.

Parameters

MPI_m Can decode video, having a minimum picture interval of $m/29.97$ seconds for H.263 and H.262 30 Hz formats, and $m/25$ seconds for H.262 25 Hz formats. The value of m is either 1, 2, 3, 4, 5, 6, 10, 15 or 30.

H.262_MPML Can decode H.262 Main Profile, Main Level video, as well as Simple Profile, Main Level video.

H.262_SPML Can decode H.262 Simple Profile, Main Level video.

5.2.4 H.263 capability bytes

For H.263, a minimum of one byte and a maximum of three bytes is necessary to signal the capabilities for a given image size format. A baseline H.263 capability byte for a specific spatial resolution and MPI code may be followed by one or two optional bytes containing the optional enhanced capabilities.

Superseded by a more recent version

Although declaration of a baseline capability for one of the image formats does mean that the endpoint has the capability to receive all lower formats, it may be necessary to transmit a separate baseline byte (still in the same MBE message) to convey a different MPI value or optional enhancements for lower formats, thus:

- the MPI value specified in the baseline byte applies to the format specified therein; it also applies to all lower formats, unless an MPI value is explicitly defined in one or more separate baseline capability bytes for lower formats;
- enhanced capabilities specified in the optional bytes apply to the format specified in the preceding baseline byte; they also apply to all lower formats, unless applicable enhanced capabilities are explicitly defined in optional bytes following a separate baseline capability byte for a lower format.

5.2.4.1 Baseline H.263 capability byte

The byte structure for the first byte is as follows:

| | | | | | | | |
|---|-----|---|---|---|--------------|---|---------|
| 1 | 2 | 3 | 4 | 5 | 6 | 7 | 8 |
| 1 | MPI | | | | H.263_Format | | Options |

The first bit has a value of one.

The 4-bit MPI field is identical to the field used for H.262 (see 5.2.3).

The H.263_Format field defines the resolution. The values are as follows:

| H.263_Format | |
|--------------|------------------|
| 00 | H.263_QCIF/SQCIF |
| 01 | H.263_CIF |
| 10 | H.263_4CIF |
| 11 | H.263_16CIF |

If the Options field is zero, the same optional capabilities, if any, signalled for the higher resolutions apply also to this resolution; if this is the highest resolution, then only the baseline capabilities apply at this resolution. If the Options field has a value of one, a second byte follows containing the optional capabilities (see 5.2.4.2).

Format capability values

- H.263_QCIF/SQCIF Can decode H.263 algorithm to QCIF and sub-QCIF (SQCIF) picture formats. Only one set of capabilities is sent for these two resolutions, as the MPI values for QCIF and SQCIF shall be identical.
- H.263_CIF Can decode H.263 algorithm to CIF, QCIF and sub-QCIF picture formats.
- H.263_4CIF Can decode H.263 algorithm to 4CIF, CIF, QCIF and sub-QCIF picture formats.
- H.263_16CIF Can decode H.263 algorithm to 16CIF, 4CIF, CIF, QCIF and sub-QCIF picture formats.

MPI values

- MPI_m Can decode video, having a minimum picture interval of $m/29.97$ seconds for H.263 and H.262 30 Hz formats, and $m/25$ seconds for H.262 25 Hz formats. The value of m is either 1, 2, 3, 4, 5, 6, 10, 15 or 30.

5.2.4.2 Options bytes

The format of the optional second byte is as follows:

| | | | | | | | |
|---|-----|-----|-----|----|----|---------------|------------------|
| 1 | 2 | 3 | 4 | 5 | 6 | 7 | 8 |
| 0 | CPM | UMV | AMP | AC | PB | Specify HRD-B | Specify BPPmaxKB |

Superseded by a more recent version

The definition for each of the fields is shown below.

| | | |
|------------------|---|--|
| CPM | 0 | Reserved for future use. Shall be set to zero. |
| | 1 | Value of one not allowed. |
| UMV | 0 | Not capable of using Unrestricted Motion Vectors. |
| | 1 | Capable of Unrestricted Motion Vectors. |
| AMP | 0 | Not capable of using Advanced Motion Prediction. |
| | 1 | Capable of using Advanced Motion Prediction. |
| AC | 0 | Not capable of using Arithmetic Coding option. |
| | 1 | Capable of using Arithmetic Coding option. |
| PB | 0 | Not capable of using PB Frames option. |
| | 1 | Capable of using PB Frames option. |
| Specify HRD-B | 0 | Use HRD-B scaling factor from higher resolution format, or use default value (HRD-B_Default) if this is the highest resolution format. |
| | 1 | Use HRD-B value found in the first four bits of the following byte. |
| Specify BPPmaxKB | 0 | Use BPPmaxKB scaling factor from higher resolution format, or use default value (BPPmaxKB_Default) if this is the highest resolution format. |
| | 1 | Use BPPmaxKB value found in the last four bits of the following byte. |

If either of the HRD-B or BPPmaxKB fields is set to one, a third byte is sent that gives the value that shall be used. If only one of the two bits is set to one, the default value shall be used for the field that is set to zero, independent of the value in the third byte. This third byte has the following format.

| | | | | | | | |
|-------|---|---|---|----------|---|---|---|
| 1 | 2 | 3 | 4 | 5 | 6 | 7 | 8 |
| HRD-B | | | | BPPmaxKB | | | |

The values for the HRD-B and BPPmaxKB fields are given below.

| HRD-B Size | |
|------------|---------------|
| 0000 | HRD-B_Default |
| 0001 | HRD-B × 1.25 |
| 0010 | HRD-B × 1.5 |
| 0011 | HRD-B × 1.75 |
| 0100 | HRD-B × 2 |
| 0101 | HRD-B × 2.5 |
| 0110 | HRD-B × 3 |
| 0111 | HRD-B × 4 |
| 1000 | HRD-B × 8 |
| 1001 | HRD-B × 16 |
| 1010 | HRD-B × 32 |
| 1011 | HRD-B × 64 |
| 1100 | HRD-B × 128 |
| 1101 | HRD-B × 256 |
| 1110-1111 | Reserved |

| BPPmaxKB | |
|-----------|-----------------|
| 0000 | BPPmax_Default |
| 0001 | BPPmaxKB × 1.25 |
| 0010 | BPPmaxKB × 1.5 |
| 0011 | BPPmaxKB × 1.75 |
| 0100 | BPPmaxKB × 2 |
| 0101 | BPPmaxKB × 2.5 |
| 0110 | BPPmaxKB × 3 |
| 0111 | BPPmaxKB × 4 |
| 1000 | BPPmaxKB × 8 |
| 1001 | BPPmaxKB × 16 |
| 1010 | BPPmaxKB × 32 |
| 1011 | BPPmaxKB × 64 |
| 1100 | BPPmaxKB × 128 |
| 1101 | BPPmaxKB × 256 |
| 1110-1111 | Reserved |

HRD-B_Default

Decoder can only support the default H.263 HRD buffer parameter B, which has the value of $4 \cdot R_{\max} / 29.97$, where R_{\max} is the maximum video bit rate to be used in the connection. (Typically, total connection bit rate is used as the value R_{\max} .)

Superseded by a more recent version

| | |
|------------------|---|
| HRD-B × M | Decoder can support M times the default H.263 HRD buffer parameter B. The value of M may be 1.25, 1.5, 1.75, 2, 2.5, 3, 4, 8, 16, 32, 64, 128 or 256. |
| BPPmaxKB_Default | Decoder can only support the default H.263 maximum bits per picture value BPPmaxKB. |
| BPPmaxKB × M | Decoder can support M times the default H.263 maximum bits per picture value BPPmaxKB. The value of M is either 1.25, 1.5, 1.75, 2, 2.5, 3, 4, 8, 16, 32, 64, 128 or 256. |

5.2.4.3 Examples

Some examples of valid H.263 capabilities are as follows:

- { start-MBE / 2 / <H.262/H.263> / H.263_4CIF + MPI_2 }
 - { start-MBE / 4 / <H.262/H.263> / H.263_4CIF + MPI_4 / H.263_CIF + MPI_3 / H.263_QCIF/SQCIF + MPI_2 }
 - { start-MBE / 7 / <H.262/H.263> / H.263_4CIF + MPI_4 + Options / AC / H.263_CIF + MPI_3 + Options / AC + PB / H.263_QCIF/SQCIF + MPI_2 + Options / AC + PB + UMV }
- { start-MBE / 8 / <H.262/H.263> / H.263_4CIF + MPI_4 + Options / UMV + AMP / H.263_CIF + MPI_3 + Options / UMV + AMP + AC + define BPPmaxKB / BBPmaxKB × 4 / H.263_QCIF/SQCIF + MPI_2 + Options / UMV + AMP + AC + PB }

5.3 Transfer rate capabilities

Transfer rate capabilities are defined in Recommendation H.221.

The capability to receive a given number of multiple 64 kbit/s channels includes the capability to receive fewer 64 kbit/s channels. Similarly, the capability to receive a given number of H_0 channels includes the capability to receive fewer H_0 channels. In both cases, the receiving terminal will synchronize the connected additional channels to the initial channel and maintain that synchronism throughout the period of connection.

All other ranges of capability shall be signalled by inclusion in the capability set of more than one transfer rate capability code. For example, a terminal may list its transfer rate capabilities as {2B and H_0 and H_{11} and H_{12} }; in this case, 1B capability is also implied.

No transfer rate capability value shall be transmitted which exceeds the limit imposed by the physical connection to the network; for example, a terminal on an H_0 access shall not declare H_{12} capability.

5.4 Data capabilities

Data capabilities are defined in Recommendation H.221 [1]. Except for MLP_Set1, MLP_Set2 and the variable-rate codes, each capability conveys only the stated data rate.

If a terminal is able to accept more than one data rate of whatever type (LSD, HSD, MLP, H-MLP), then BAS codes covering all relevant values shall be included in the capability set.

5.5 Terminals on restricted networks: capability

A terminal connected to a network whose B-channels are effectively restricted to $p \times 56$ kbit/s ($p = 1$ to 24), or whose channels at H_0 or higher are restricted by ones-density considerations, as well as terminals intended for interworking with terminals on restricted networks, shall conform to clause 13.

5.6 Encryption and extension-BAS capabilities

The capabilities are defined in Recommendation H.221 [1].

5.7 Null capability

This capability is transmitted only by a Channel Aggregation Unit [6]; it shall not be transmitted by a terminal.

Superseded by a more recent version

6 Transmission

6.1 Transmission modes

Audio modes of operation are defined in Annex A/H.221 audio commands.

For analogue telephone terminals, it may be assumed that the speech signal is converted to G.711 encoding at a digital network interface. These terminals are viewed as working in Mode 0U when connected to wideband speech terminals.

The video transmission is governed by the H.261-on, H.262S-on, H.262M-on, H.263-on, video-MPEG-1-on and video-off commands. When switched on, the video signal occupies all of the capacity, both in the initial channel and in any additional channels, which is not specifically allocated to other signals by other commands. Thus, different video bit rates result from audio, transfer-rate, ECS and data commands, the resultant video bit rate being: {transfer rate, less audio rate, less data rate if present, less encryption control channel if present, less FAS and BAS in all the channels/time-slots where they are present}.

The video channel may be operated in an asymmetrical mode of operation, unless an MMS command is received from the other side. In the asymmetrical mode of operation, the two terminals may send their video in a different mode from each other. As an example, one terminal may be sending video encoded by H.263 while the other terminal is sending video encoded by H.262. If a terminal receives the MMS command from the remote side, it shall immediately begin encoding its video in the same manner as the remote side. If a terminal receives the cancel-MMS command, it may begin sending in an asymmetrical manner.

Transfer-rate modes are defined in Recommendation H.221, and specify the total capacity of the communication effective in the sub-multiframe following the BAS command.

Data modes are defined in Recommendation H.221, and specify only the bit rate and bit positions used for a user data signal. The protocol used for data applications is defined by the terminals, but see also clause 12.

6.2 Establishment of compatible modes of operation

At the beginning of the communication phase of a call, all terminals start to work in Mode 0F (outgoing signal framed). Terminals other than those limited to G.711 capability will then begin an initialization procedure.

This procedure (further described in clause 9) consists of:

- the transmission of information concerning the capabilities of the respective terminals for receiving and decoding audio, video, transfer rate, data rates and other capabilities;
- the determination of a suitable transmission mode, consistent with the known capabilities of both terminals. An example is given in IV.1, in which the transmission mode is the same in both directions, but the H.242 procedures are equally applicable to systems in which asymmetric bidirectional communication is optimal (examples are surveillance – see IV.2 – and retrieval services);
- switching to this mode, and establishing additional channels if relevant.

The terminals connected to a call may change during the call. This may require re-initialization in order to identify the terminal type and to re-establish the desired mode of operation. In particular, this feature is used in Mode 0 forcing, which is necessary in the case of a call transfer (see clause 11).

7 Frame structure

The frame structure described in Recommendation H.221 is used for mode initialization and dynamic mode switching (see the following subclauses) and more generally to define the multiplex of the various bit streams (audio, video, data, encryption control signal, frame structure) within the frame.

Recommendation H.221 defines a Bit-rate Allocation Signal (BAS) which is used *inter alia* to allocate sub-channels and to indicate the coding algorithm(s).

Superseded by a more recent version

BAS codes are classified by the value of the first three bits which represent the BAS attribute: each attribute may therefore have up to 32 defined values.

Four BAS attributes are commands: they define the multiplex within the next and following sub-multiframes, as well as audio coding algorithm, and therefore command the distant receiver to treat the signals accordingly. The use of commands must be constrained as set out in clause 15 (see Table 6).

Further BAS attributes are defined to signal terminal capabilities to the distant terminal. When received, these attributes do not directly affect the current transmission mode. However, they may lead to the initiation of a specific action to be carried out by the terminal. This feature is utilized in the mode initialization procedure and in the Mode 0 forcing procedure (see 9.3).

The third bit of the H.221 Frame Alignment Signal (FAS) in odd frames of the initial channel, called the A-bit, is set to 1 on loss of frame or multiframe alignment, and is set to 0 on acquiring both frame and multiframe alignment (see Note). Consequently, a terminal which is receiving a framed signal with the A-bit set to 0 can assume that the distant terminal is able to act upon a change of BAS.

NOTE – A terminal having capabilities only for single-channel working, and without encryption capability, does not need to seek and gain multiframe alignment since the latter serves for numbering and synchronizing multiple channels.

8 Basic sequences for in-channel procedures

Three signalling sequences are defined in this clause. These sequences are used as the building blocks for the procedures defined in clauses 9 and 10.

8.1 Capability exchange sequence A

In sequence A, each terminal sends its own capability set as prescribed in this subclause. It is forbidden to change the capability set during sequence A, and there shall be no commands or any other BAS codes interposed between repetitions of the capability set.

8.1.1 Sequence A at the start of a call

At the start of a call (see 9.1.1) both terminals (designated here X and Y) shall set timer T1 (minimum value 10 seconds) and each shall begin transmitting its own capability set repetitively, including Cap-mark as appropriate, continuing to do so until the end of sequence A (see 8.1.3 below).

8.1.2 Sequence A during a call

The arrangements of this subclause are effective for both normal and neutral capability exchanges.

At any time during a call, the terminal can initiate sequence A, which may include a capability set different from the one used at the call set-up for changing communication modes (e.g. from Mode a_0 to Mode b_0 , from Mode b_1 to Mode a_2 as per Recommendation H.320). When a terminal has received such a capability set of the remote terminal during the call, it shall respond by sending its own capability set, but the set need not be changed in response to the remote terminal's new capability.

When a terminal activates sequence A during a call, it shall maintain the current mode of multimedia multiplexing, including FAS and BAS in additional channels if relevant. For example, if transmitted video is ON, it shall not be switched off immediately prior to sending a capability set unless explicitly required for a fault recovery procedure.

Oscillation of the capability exchange can be avoided by the arrangements to identify the end of sequence A as given below.

The capability exchange sequence forces framing in both directions of transmission and the exchange of terminal capability codes. Either terminal may initiate the sequence and there is no problem caused by both doing so simultaneously or nearly simultaneously. Capability BAS shall not be sent unnecessarily when the incoming signal is unframed. A terminal capable of communicating on a single channel with a channel aggregator conforming to Recommendation H.244, receiving the command [capex] shall immediately initiate this sequence A unless a capability exchange is already in progress: in the latter case, the terminal shall continue the sequence, ensuring that at least one complete capability set is transmitted after receipt of [capex].

Superseded by a more recent version

A terminal X which initiates a capability exchange sequence shall first reinstate framing by using sequence C (see 8.3) if previously transmitting unframed; it then shall set a timer T1 (minimum value 10 seconds) and transmit its current capability set (see clause 5) repetitively, including Cap-mark as appropriate, or at least one complete set followed by the marker code (to indicate completion of the set); these capabilities will be one or more of the set listed in Table 5.

When Y first detects any incoming capability code except neutral (see 8.3), it shall begin transmission of its own set of capability codes. This, of course, requires switching to a framed mode if transmission had been unframed. To ensure that each receives the complete set of capabilities of the other, they shall continue repetitive transmission of capsets beyond the time they detect incoming $A = 0$ by at least one complete set and the marker code, and during this time the transmission of commands or any other BAS codes is prohibited.

8.1.3 Identification of the end of sequence A

The end of sequence A is identified by Terminals X and Y as follows.

8.1.3.1 Terminal activating sequence A

This applies to both terminals during initialization (see 9.1.1), and to Terminal X for other exchanges.

The terminal sends capability sets until both the following conditions are met:

- i) One complete set has been transmitted since receiving $A = 0$.
- ii) It detects an incoming cap-mark followed by at least one normal capability code (to await a full capset is better as it increases robustness).

It then completes transmission of the current set (since partial capsets are not allowed) followed by cap-mark and at least one command from Table A.1/H.221 (see Note 1).

It identifies the end of sequence A when it receives a command following the capability sets from the remote terminal Y. If sequence A is not completed within T1 seconds, the sequence must be terminated, a command from Table A.1/H.221 (see Note 1) sent, and then a new sequence started (see Note 2).

At any time after the end of sequence A, the terminal shall respond to reception of a capability set by returning its own capability set.

NOTE 1 – If it is desired to send an SBE command, for example from Table A.2/H.221, it shall be preceded by a Table A.1/H.221 command such as (000)[0].

NOTE 2 – If i) above has been completed and yet the incoming signal continues to contain only capsets, and if no commands are received for a further two seconds, it may be advantageous to terminate the sequence at that point, send a command, and then recommence sequence A.

8.1.3.2 Terminal Y responding to the reception of capability code

Terminal Y responds by returning its own capability set until at least a complete set is transmitted after having received $A = 0$. Then it starts to send commands. The end of sequence A is identified by receiving a command from the remote terminal X.

At any time after the end of sequence A, the terminal Y shall respond to reception of a capability set by returning its own capability set.

8.1.3.3 Possible outcomes

There are three possible outcomes:

- Outcome I: Within the timer expiration period, multiframe alignment has been gained, the A-bit is received with a value of zero and the complete set of capability BAS codes of the distant terminal has been validated. In this case, the sequence is completed successfully.

NOTE 1 – If sequence A is initiated while incoming $A = 0$, repetition of the set is not necessary.

- Outcome II: The timer has expired without the terminal finding the incoming multiframe alignment. In this case, the sequence failed.

NOTE 2 – This is the expected case of connection to a PCM telephony terminal, so the communication will be audio only.

Superseded by a more recent version

- Outcome III: The timer has expired with multiframe alignment achieved, but without either the validation of the A-bit as 0 or the receiving of the complete set of the distant terminal's capability BAS codes (or both). In this case, the sequence is restarted. Outcome III should be notified to the user as a potential fault condition (which might, however, be in the remote terminal). See Figure 1.

8.2 Mode switching sequence B

Mode switching is performed using BAS command codes, each being effective from the beginning of the even frame following the sub-multiframe in which the code is first transmitted. Mode switching is possible at any time during a communication, after the initialization procedure has been completed.

When the transmitting terminal signals the mode of operation, this is valid from the next sub-multiframe. It is essential to note that transmitted signals shall always be in accordance with the known capabilities of the remote terminal to receive and decode; in the absence of such knowledge, only Mode 0F or 0U (audio to Recommendation G.711) shall be sent. If a change of capability, indicated in performing sequence A, has the result that the current mode is no longer receivable/decodable, there shall be a switch as soon as possible after the end of sequence A to a mode which can be received and decoded.

BAS commands which exceed the current transmission capacity shall not be transmitted (e.g. transmission of 2B transfer rate command before the second channel is established).

The receiving terminal decodes and validates the BAS code, and switches its receive mode of operation accordingly. If for any reason a terminal receives a BAS command it cannot obey, a mode mismatch may result (see 9.3).

In addition to switching of the audio mode, mode switching includes turning video off or on, or changing the video algorithm; the adoption/cessation of use of additional channels; the opening/closing of the encryption control channel; the opening/closing of a data channel.

The mode switching is in principle performed independently for the two transmission directions; some applications may be fundamentally asymmetric (see Note). Symmetry is *not* mandatory according to this Recommendation. It is possible for a terminal to choose symmetrical operation from within its application software without further recourse to standards. However, it is unwise to incorporate in a terminal a mechanism which automatically sets the outgoing mode to be the same as the incoming mode: there is a risk that two terminals programmed in this way might oscillate between two modes or remain in Mode 0. It is better practice to select the transmitted mode in one of the following ways:

- a) according to the received capability set (for example, as set out in Table 3/H.320);
- b) user selection, within the received capability set but perhaps overriding automatic selection a);
- c) according to mode-preference codes received from the remote end (see 9.5).

NOTE – See Appendix IV for some examples of symmetrical and asymmetrical transmission modes.

8.3 Frame reinstatement sequence C

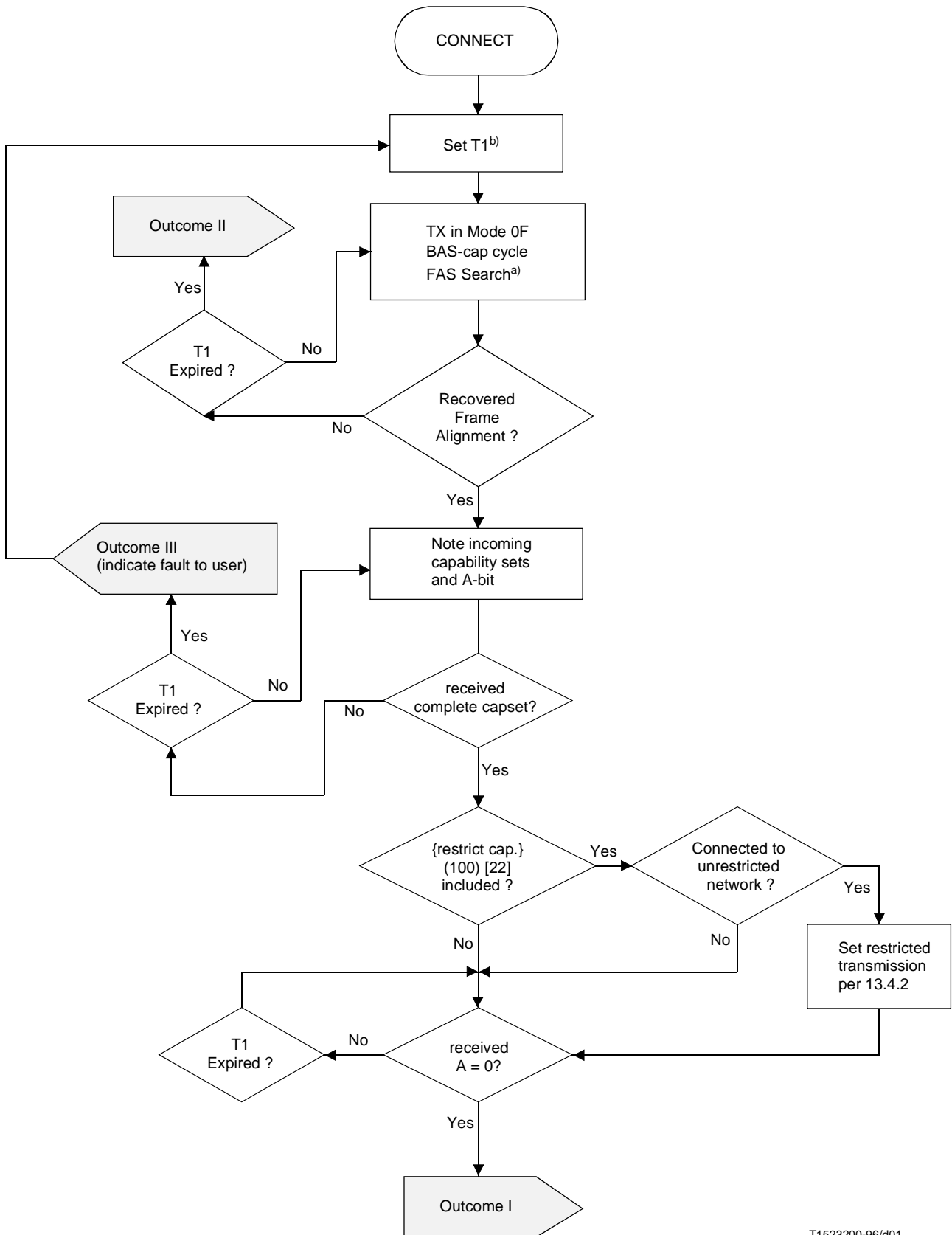
If terminal A is transmitting unframed but receiving framed, frame reinstatement consists in the insertion of FAS and BAS into the first 16 bits of the service channel, waiting up to T1 seconds for incoming A = 0; the overlaid frame can contain neutral BAS capability to avoid triggering a full capacity exchange.

Neutral capability (100)[0] shall always be enclosed between BAS capability markers. It should be noted that the neutral-cap shall never be included in a capability set.

Terminal A which is receiving unframed may wish the remote terminal B to reinstate framing: to do this, A shall first itself reinstate framing if it is not already transmitting framed and then begin sequence A (see Note); B shall respond by reinstating framing in order to return its own capability set and A = 0 according to 8.1.

NOTE – Alternatively, neutral BAS capability may be sent; B then responds with either its own capability set or neutral capability.

Superseded by a more recent version



T1523200-96/d01

- a) FAS should at this point be sought throughout the incoming signal.
- b) The terminal should mute the loudspeaker(s) until the encoding law of the audio received from the remote terminal has been determined.

Figure 1/H.242 – Initial capability exchange – General case

Superseded by a more recent version

9 Mode initialization, dynamic mode switching and Mode 0 forcing

Audiovisual terminals will be connected to digital networks where other kinds of terminals will also be connected: G.711 terminals but also data terminals, telematic terminals, servers, etc. When compatibility between the different services involving those terminals is required, an initialization procedure is necessary.

When automatic compatibility is required, a procedure based on the sequences defined in clause 8 is used.

For call transfer or mode mismatch recovery, it is necessary for terminals to operate in the common Mode 0F and a Mode 0 forcing procedure is required, again based on the sequences defined in clause 8.

At the commencement of the call, after call transfer and after the procedure of 9.3, there is a need for an initialization procedure to ensure that the two connected terminals can operate in the most suitable common mode.

9.1 Mode initialization procedure

9.1.1 Single channel

9.1.1.1 Procedure

The initialization procedure begins as soon as a connection message is received from the network, or any indication meaning that the physical connection is established.

At the beginning of mode initialization, the terminal shall transmit in mode 0F, and may (see Note) send the commands [1B][A- or μ -law][restrict (if appropriate)] repetitively for 450 ± 50 ms. The receive part of the terminal shall be in frame search and the audio decoding in Mode 0F(A/ μ).

NOTE – Although not mandatory, this transmission of commands is strongly recommended, to give the earliest possible indication of the G.711 law in use, as well as the [restrict] condition when applicable. Receiving terminals should take the repetition of the above commands as definitive, rather than a single value.

Sequence A shall be started within 500 ms of establishment of the connection.

Upon completion of sequence A according to outcome I (see Figure 1), sequence B shall commence. The BAS code which is sent in sequence B is calculated from the knowledge of the capabilities of the local and distant terminals and is used to switch to a suitable working mode. This process may involve terminal procedures effecting choices made by the user or preset in the terminal (see 8.2). An example illustrating conformance to a defined teleservice is given in Recommendation H.320.

In the event of outcome II, the terminal will switch its transmission and reception to Mode 0U. The receive part of the terminal shall remain in frame search throughout the call.

In the event of outcome III, timer T1 is reset and the terminal remains within sequence A.

The initialization procedure is completed when both terminals have switched to the desired working mode(s).

9.1.1.2 Audio encoding

At the beginning of the call, the G.711 encoding by each terminal shall be according to the law prevailing in its own region, unless there is prior information that the remote terminal cannot decode this, in which case it shall transmit the other law. The outgoing audio should not normally be muted if the users expect immediate conversation as in normal telephony.

If the incoming signal is unframed and statistical analysis (e.g. Appendix X) indicates that the other law is being received, and furthermore the incoming law has not changed since the start of the call, then the terminal should switch its transmission to that law, on the basis that the remote endpoint supports telephony only and so can decode only the law it transmits.

In the case where both terminals transmit framed signals, once the capability exchange is completed and this confirms that they can decode to both laws, they may transmit in either PCM mode if desired.

Superseded by a more recent version

9.1.1.3 Audio decoding and presentation

Until the audio encoding law in use by the remote terminal is known, the loudspeaker should be muted, to avoid inconvenience to the users.

The decoder shall adapt to the coding law of the incoming signals. In a framed signal this will be clear when the BAS command (000) [18 or 19] is received (see Note 1); for unframed audio, and for framed audio before the BAS command is received, the result of statistical analysis should be applied if available (see Note 2). In the absence of both command and statistical indication, local knowledge may be used or the loudspeaker should remain muted.

NOTE 1 – The position of any stuffing bits must also be known, though this is usually the case.

NOTE 2 – Not only must the analyser itself be available, but the test cannot start before the audio structure is known, which involves some or all of network timing, FAW and stuffing bits. It is highly recommended that terminals incorporate a method such as that of Appendix X.

9.1.2 Additional channels

A possibility of adding more channels is established from the capability exchange sequence. The calling terminal may then immediately begin establishing the additional connections. When each is established, it transmits only FAS and BAS on that channel, setting a timer T_a of minimum value 10 seconds. Synchronization with the initial channel is performed according to 2.7/H.221. When the incoming A-bits on additional channels are observed to be 0, mode switching to occupy sequentially numbered channels is initiated by an appropriate transfer-rate command BAS. If the timer T_a has expired without receiving $A = 0$, it is dealt with as a fault condition.

If the buffering process involves the insertion of additional delay in the *initial* channel, which is already carrying encoded user information (speech, video, data), it is necessary to make provision for this interruption. In particular, disagreeable noises from loudspeakers should be avoided, by muting (as briefly as possible) or otherwise. To minimize the recovery of a G.728 decoder, it should be frozen while the delay insertion has been completed. During this frozen period, the zero-valued samples should be played out from the speech decoder, but the internal state of the G.728 decoder should not be changed, so that it can immediately resume decoding when delay insertion has been completed. Note that in some implementations the encoder of the terminal may be reset at the same time.

As additional channels achieve synchronization, they are sequentially numbered using both FAS and BAS numbering as provided in Recommendation H.221. Subsequent mode switching is specified in 9.2.1.

An example of mode initialization on two channels is given in Appendix I.

9.2 Dynamic mode switching (see Figure 2)

The mode switching procedure makes use of the frame structure specified in clause 7 and of the sequences defined in clause 8. It should be noted that all terminal receivers shall remain in frame search throughout the call.

When the terminal is receiving in a framed mode, that is, it is capable of decoding bit A, mode switching should be delayed if the A-bit is set to 1; frame reinstatement and mode mismatch recovery procedures should be followed as necessary.

The procedure depicted in Figure 2 should be followed.

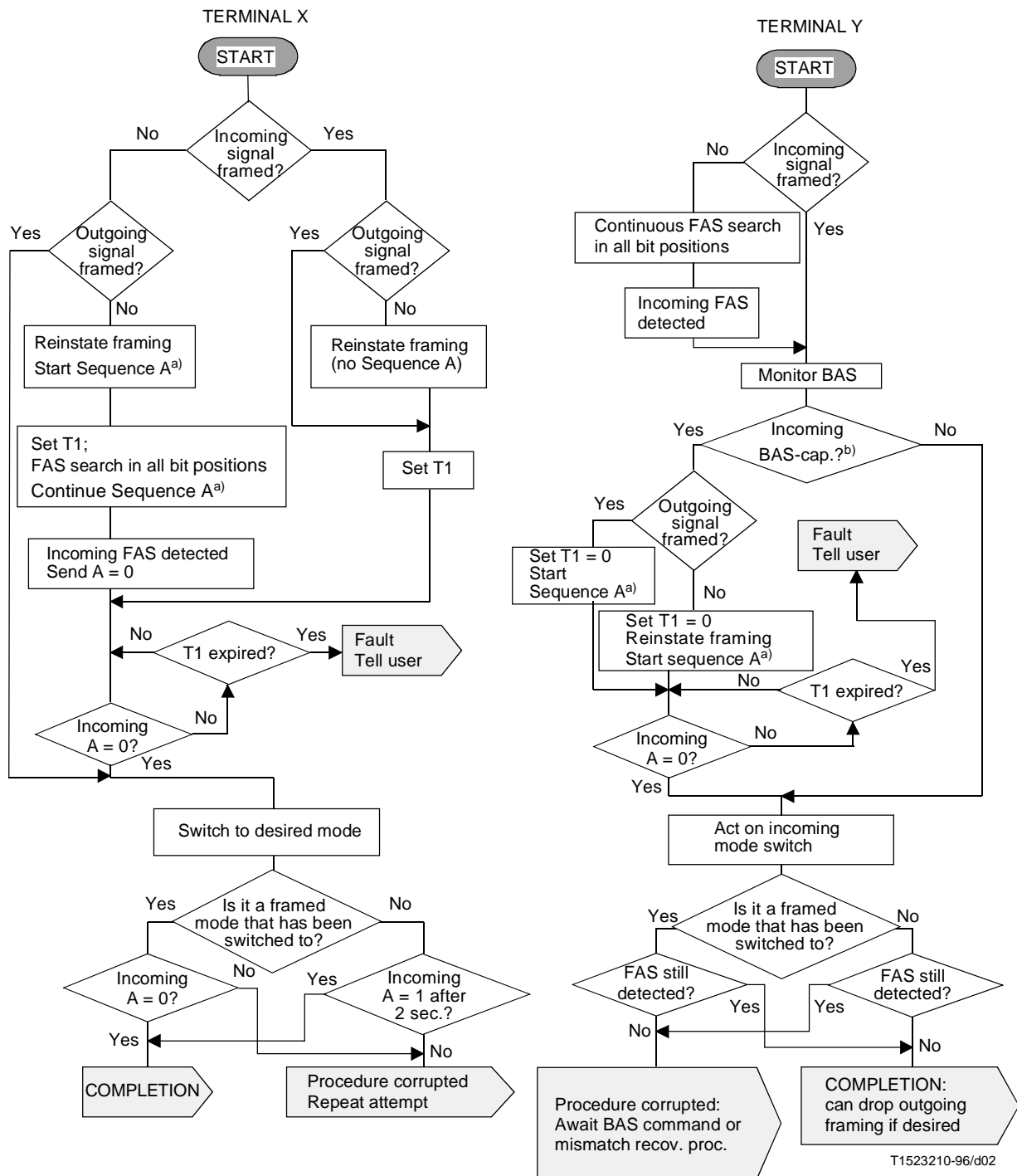
9.2.1 Dynamic mode switching from a framed mode to another framed mode

The basic sequence mode switching described in 8.2 is used.

At the transmitting terminal, if a BAS command is transmitted to signal a new mode, the transmitter shall operate in the appropriate mode from the first octet of the next sub-multiframe.

Similarly, at the receiving terminal, if the received BAS signals a new mode, the receiver shall operate in the appropriate mode from the first octet of the next sub-multiframe.

Superseded by a more recent version



- a) Normal capability set or neutral may be used.
- b) Incoming BAS-cap outgoing frame reinstatement.

Figure 2/H.242 – Mode switching – Terminal X initiates the mode switch

9.2.2 Dynamic mode switching from a framed mode to an unframed mode

Unframed modes are less robust, and so should be avoided if possible. The main use of unframed audio-on or audio-off modes is at the end of a multimedia session, to avoid causing the "unexpected loss of frame alignment" condition (10.1) at the remote end.

As in 9.2.1, the basic sequence mode switching described in 8.2 is used.

Superseded by a more recent version

However, as the BAS for signalling an unframed mode is transmitted for a single sub-multiframe, a mode mismatch may occur in drastic error conditions. Optionally, a method may be used to improve the reliability of the switching: the new BAS value is repeated three times; this will cause a temporary corruption (no more than 40 ms) of the least significant bit of the received information.

9.2.3 Dynamic mode switching from an unframed mode to another mode (framed or unframed)

The basic sequences frame reinstatement and mode switching are sequentially transmitted, the former including capability exchange if necessary (see Figure 2).

9.2.4 Dynamic mode switching involving change of active additional channels

Since the HSD channel is defined as occupying the highest numbered additional channel(s), a change of transfer rate (such as is necessary when activating or deactivating additional channels) would cause a displacement of the data stream within the aggregated frames. Therefore HSD shall be turned OFF prior to such a transfer rate change, and ON again subsequently (see also clause 15).

9.3 Mode 0 forcing procedure

See Figure 3.

Mode 0 forcing may be activated at any time during the call; receipt of a Mode 0 forcing sequence should not be interpreted as an indication of impending termination of the call. Since Mode 0 forcing comprises sequence B (mode switching) followed by sequence A (capability exchange), the forced terminal may not recognize "forcing", but shall respond to the capability exchange first by returning its ordinary capability set and then reduced commands corresponding to the capability set of the forcing terminal.

Certain terminal designs may include recognition of "being forced", thus returning reduced commands first and then responding to the capability exchange.

If 1B transfer rate is included in the capability set of the forcing terminal, the contents of the additional channel(s) are not concerned; they may include only FAS and BAS with any bits in other bit positions, or may even become vacant without FAS and BAS.

NOTE – Removal of FAS and BAS from additional channels may cause some terminals to drop those channels.

After Mode 0 forcing is activated and both terminals start to operate at the intended forcing mode, re-activation of sequence A for ordinary capability exchange, activation of additional channel(s), disconnection, or other mode changes may take place according to the terminal procedure.

9.3.1 Single channel operation

Where it is necessary to ensure that both terminals are operating in Mode 0 (for instance, before call transfer), this procedure is used. These single channel procedures apply to all single channels regardless of rate. The transmitted mode is confined to audio G.711 A-law or μ -law, framed.

The forcing terminal uses dynamic mode switching (see 9.2) with BAS audio command to switch to Mode 0F, followed by sequence A using a reduced capability set indicating only G.711 audio capability and the appropriate transfer rate (e.g. (001) [0] for a B-channel, (001) [6] for an H₀ channel, etc.). The value for A- or μ -law appropriate to the terminal's own region is used in case the call is to be transferred to a local G.711-only terminal.

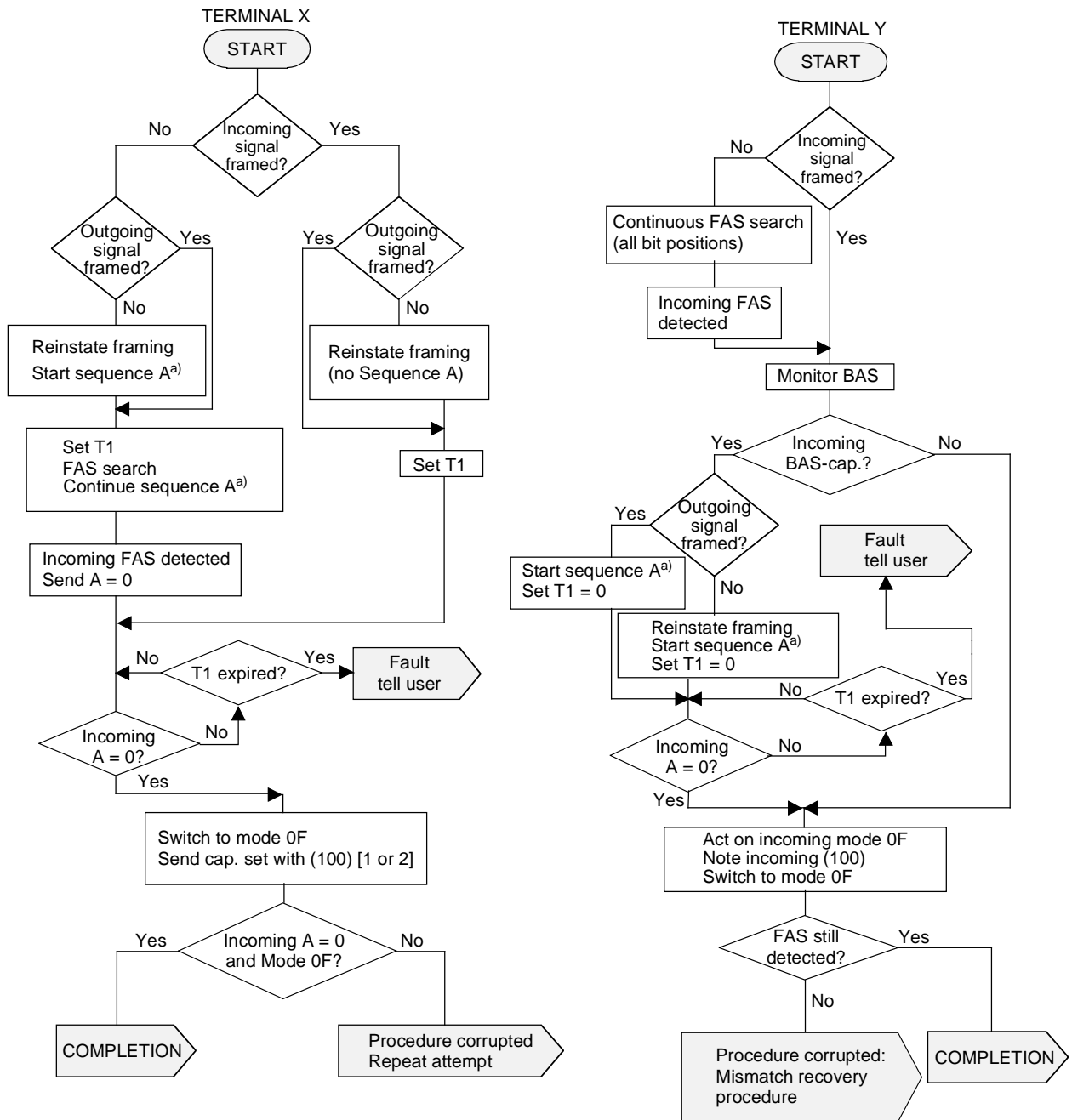
The content of the reduced capability set is:

- single channel in use {capability marker, G.711(A) or/and G.711(μ)};
- two or more channels in use:
 - {capability marker, A-law and/or μ -law, 1B}; or
 - {capability marker, A-law and/or μ -law, H₀}.

Superseded by a more recent version

On receipt of this, the remote terminal is obliged to switch to Mode 0F also using the indicated law for its encoder and decoder. The procedure is complete when the forcing terminal detects incoming Mode 0F. Changes of network configuration can now be implemented (see clause 11).

NOTE – Time-slots other than TS1 are vacated during this procedure.



T1523220-96/d03

^{a)} Normal or reduced capsets or neutral cap. may be used.

Figure 3/H.242 – Mode zero forcing – Terminal X initiates the forcing

Superseded by a more recent version

9.3.2 Two or more channels

In this case the Mode 0 forcing is applied to the initial channel only, and separate considerations apply to treatment of the additional channels. These considerations apply whether the single channels are 64 kbit/s or any higher rate. Three cases are considered here by way of guidance for the multiple-B channel case:

- a) Additional channels dropped – This would be necessary, for example, prior to disconnection. The procedure is as for one channel, the forcing terminal declaring capability of PCM audio only with transfer rate capability of 1B, H₀, H₁₁ or H₁₂; this will result in mode switches successively to "data OFF", "video OFF" and audio Mode 0F or 0U, such that all additional channels are vacated and can be disconnected.
- b) Additional channels idle – This is the same as a), except that the forcing terminal makes no move to disconnect; the channels carry FAS, the multiframe number and the BAS indicating channel number; the content of the remainder of the idle channels is irrelevant.
- c) Additional channels maintained active – This might be beneficial in some recovery procedures. The forcing terminal declares a capability of PCM audio plus transfer rate unchanged from its previous value, and then itself switches to the appropriate mode.

An example of Mode 0 forcing case a) is given in Appendix II.

9.4 Mode mismatch recovery procedure

In the case where mode mismatch has occurred, the Mode 0 forcing procedure may be used to establish a common working mode. Following this procedure, re-initialization can be achieved by using the mode initialization procedure.

NOTE – A mode mismatch could occur due to a corrupted BAS channel. Recovery in this case could be achieved by BAS command repetition. Mode 0 forcing should not be started immediately to allow the BAS command repetition process to complete. An interval of at least two seconds is suggested.

9.5 Procedure for influencing the Mode transmitted from remote endpoint

An endpoint at which it is desired to receive a Mode different from that currently being received (including changes to the MLP rate) may send any SBE symbol from the range (100) [0-15], even if the sending endpoint has not declared that capability. An endpoint receiving such a symbol may or may not respond by changing to the Mode indicated; if there is no change of mode within a few seconds, the requesting endpoint must assume that the remote end will not make the requested change, for whatever reason.

10 Recovery from fault conditions

In general it is expected that fault conditions will be rare and it may be uneconomical to provide elaborate recovery procedures to cover all eventualities. It is mandatory that proper indications of fault conditions be transmitted on the outgoing channel(s) – in particular, A shall be set to 1 where appropriate conditions for A=0 are not met. Subclause 10.1 describes other actions, which should be taken on losing frame alignment, multiframe alignment, or synchronism; possible action upon loss of connection is presented in 10.2 for guidance.

10.1 Unexpected loss of synchronization or frame alignment

10.1.1 Loss of frame alignment in the initial channel

If a terminal unexpectedly loses frame alignment on its receive path, a timer T3 is set (minimum value 1 second) and incoming information is discarded if unintelligible. During this time the status of the framing in the receive direction is monitored:

- a) If framing is recovered before the timer expires, the normal operation is resumed.
- b) If framing is not recovered before the timer expires, the terminal goes to the Mode 0 forcing procedure followed by re-initialization.

Superseded by a more recent version

10.1.2 Loss of frame alignment or synchronization in an additional channel

If a terminal unexpectedly loses synchronization (including that due to loss of frame alignment) on an additional channel, a timer T3 is set, outgoing A-bit is set to 1 and incoming information discarded if unintelligible; if the loss of this information also causes information on other channels to become meaningless, that also may be discarded:

- a) if synchronization is recovered before the timer expires, normal operation is resumed; this takes into account recoverable synchronization loss due to bit or synchronization errors on the transmission line;
- b) if synchronization is not recovered before the timer expires, the Mode 0 forcing procedure may be used.

10.2 Recovery from loss of connection(s)

Loss of a connection means that end-to-end transmission on that channel has been discontinued, so that all apparently received bits are meaningless. The receiver will, of course, lose frame alignment and may follow the procedures of 10.1. However, an indication may be available from the network (D-channel or otherwise) that the connection has been lost; in this case the procedures of this subclause are followed. It is assumed that connection loss is bidirectional; the case of loss in one direction only is for further study.

10.2.1 Renumbering of channels

This procedure is used for reconstructing the remaining normal additional channels when one additional channel breaks down:

- i) make the transmission mode of all channels into "framed";
- ii) vacate the sending additional channel(s);
- iii) renumber the additional channel(s) and examine the received channel numbers in the FAS; if the channel numbers are out of sequence, the mode 0 forcing procedure should be followed;

NOTE 1 – When an intermediate channel is lost, the remaining channels are renumbered sequentially starting at the next higher channel after the lost channel. When the channel with the highest number is lost, channel renumbering is unnecessary.

NOTE 2 – The FAS and BAS channel numbers must agree as specified in Recommendation H.221.

- iv) wait for the synchronization establishment of the remote terminal and then expand communication onto the additional channels. A timer should be set (minimum value 10 seconds) to prevent waiting forever for the remote terminal to establish synchronization of the additional channels.

10.2.2 Loss of an additional connection

If any remaining channels are unframed (for example, data transmission) they shall immediately have frame structure (according to Recommendation H.221) reimposed and maintained until conditions have returned to normal. The outgoing A-bit on additional channels is set to 1 if the incoming direction is unframed or out of sequence, or if synchronism has been lost.

If the lost channel was carrying part of a signal (such as encoded video) which also involved other channels, so that its loss renders the information in those other channels meaningless, then by dynamic mode switching those channels are vacated.

The next step is to renumber the available channels if appropriate, to obtain a continuous sequence; this is done using the procedure of 10.2.1.

Dynamic mode switching is applied to re-establish the video or other transmission on the channels for which incoming A-bits are zero.

In the event that the lost channel be reconnected, it is added to the capacity in the same way as at the start of the call after the channel renumbering procedure is completed.

Superseded by a more recent version

10.2.3 Loss of the initial connection

This results in the loss of the initial channel in both directions. Both terminals immediately regard the next higher channel as the initial channel and transmit thereon the following BAS:

- i) reinstatement of FAS and BAS in any unframed channels;
- ii) transfer rate (001) [0 or 6]; 64 kbit/s or 384 kbit/s code having the effect of vacating all additional channels; also audio command (000) unchanged from previous value;
- iii) transfer rate (001) [17] on original second channel, this code "loss-i.c." indicating loss of original channel, and from next sub-multiframe original second channel substitutes for original initial channel;
- iv) any additional channels are renumbered in sequence;

NOTE 1 – The FAS and BAS channel numbers must agree as specified in Recommendation H.221.

- v) wait for confirmation that the synchronism at the remote terminal is retained/regained (all incoming $A_n = 0$); a timer should be set (minimum value 10 seconds) to prevent waiting forever for the remote terminal to establish synchronization of the additional channels;
- vi) expand communication onto all channels using appropriate transfer-rate command;
NOTE 2 – As a result of this procedure, sending and receiving initial channels may not be on the same connection.
- vii) the terminal tries to re-establish the lost channel.

11 Network consideration: call connection, disconnection and call transfer

11.1 Call connection

11.1.1 Initial channel

It is assumed that the terminals for switched network operation will have a signalling arrangement for originating calls over the network.

Upon answering a call, the terminal shall begin the mode initialization procedure. Terminals for use on leased circuits may have a means for sending the alerting signal to the distant terminal and for answering the alerting signal. In this case, the sending of the alerting signal is equivalent to dialling and the foregoing procedures apply.

Whenever a terminal is manually reset, or recovers from a fault condition, the terminal shall begin the Mode 0 forcing procedure of 9.3. Then the terminal shall begin mode initialization.

11.1.2 Additional channels

Call connection to provide additional channels may be initiated by one of the following:

- a) manually (independently of the capability exchange through the initial channel);
- b) on completion of the capability exchange sequence indicating mutual additional-channel capability;
- c) at some time later than in b), prompted by user action.

The choice between these will depend on service provision and/or terminal procedures.

NOTE – The additional channel may already have been established in the case of private circuits.

For ISDN switched services, the initial connection shall be first established and according to the outcome of the in-band capability exchange the additional connections shall be established. This means that only choices b) and c) are allowed in this case.

Superseded by a more recent version

Consequently, for 2B or 2H₀ communications, the initial connection contains the initial channels of both directions, and the additional connection contains the additional channels of both directions as well. Another implication of this sequencing of in-channel negotiation and additional call establishment is that the capability set shall include "2B (or 2H₀) or higher transfer rate" at the first capability exchange, otherwise the additional call set-up is not activated at the start of communication.

The capabilities in both directions shall indicate the intentions/ability of the two to use the additional B/H₀-channel:

- the calling terminal signals both its ability to decode and (implicitly) its intention to make a second call request;
- the called terminal signals its ability (or inability) to cope with a second B-channel, and (implicitly) its intention to answer an incoming call request if one is forthcoming.

When two or more connections are to be established between two units (terminals or MCUs or one of each), one unit shall make all of the call requests – it is not permitted that a terminal, having answered an incoming call, should make a request for an additional-channel connection back to the same unit. If more than two connections are used, all the additional connections may be called simultaneously. Each additional channel number is allocated in the order of call establishment at the transmitter, a connection may convey two channels with different channel numbers in each direction.

When the establishment of connection is known to the terminal, the mode initialization procedure of 9.1.2 is applied.

During call establishment, an originating terminal shall reserve additional channels by not answering incoming calls on those channels until it is determined whether the additional channels should be used in the connection. This prevents multiple call collisions and contention for the available channels.

11.2 Terminal disconnection

It is strongly recommended that all terminals switch to transmitting Mode 0U before disconnection. If for any reason a terminal can no longer use one (or more) of the additional connections, it should first itself switch to a mode occupying the desired lower capacity, then send a capset showing the lower transfer rate as maximum, then wait for the incoming signals to drop to the lower rate, and finally disconnect the unwanted connections. The capset is to prevent any attempt from the other end to remake the connection. There is no need to force all the way down to Mode-0 in this case, though under some fault conditions it may still turn out to be the best route to recovery.

11.3 Call transfer

As a consequence of the above, the terminal which continues to participate in a transferred call will be receiving in a PCM-forced state and therefore will be transmitting its capability set in framed PCM. When the transferred-to terminal answers, mode initialization will occur in both directions.

Before call transfer, in the case where both terminals can transmit framed audio, the distant terminal's encoder and decoder must be forced by the relevant BAS capabilities and commands to the coding law of the region where the transfer is to take place.

11.4 Conferencing

Conferencing will be accomplished by means of a Multipoint Control Unit (MCU). Each terminal will be connected to a port of the MCU by a switched connection or a leased circuit. Each connection between the terminal and the MCU is considered to be a point-to-point connection as far as call connection, terminal disconnection and call transfer procedures are concerned.

12 Procedure for activation and de-activation of data channels

12.1 General

Recommendation H.221 provides capability and command BAS codes for four types of logical data channel: MLP, H-MLP, LSD, HSD. A number of alternative bit rates are provided for each type. The following rules apply to the simultaneous activation of two or more types:

- MLP and H-MLP may be activated simultaneously, and when both are open then a single MLP sub-channel at the combined rate shall result (e.g. MLP rates of about 100 kbit/s on a 2B call) – see Note to Figure 5 e)/H.221.
- Neither LSD nor HSD may be opened when MLP and/or H-MLP are open, with the exception of the case when the remote equipment has declared the capability {H.224-sim} – see Recommendation H.224; similarly, and again with this exception, neither MLP nor H-MLP may be opened when either LSD or HSD is open.

Superseded by a more recent version

- c) The commands [var-MLP] and [var-LSD] both identify as a data path the whole of the I-channel capacity not otherwise allocated by other commands; they shall not be used together.

A terminal may declare capabilities of more than one data type even though its ability to process applications may be limited to one data type at a time. In such a case, if it receives more than one data type simultaneously, it should send a reduced capability set, omitting all except the preferred type. However, correct demultiplexing operation according to Table 6 shall be maintained at all times.

12.2 Procedures applicable to all data types

Each terminal shall transmit a data-rate capability code (see Recommendation H.221) for each data type and rate it is able to receive (see also 12.5 concerning dummy data capability). This may be done during the capability exchange sequence at the start of the call or at a later time by initiating a new capability exchange.

A terminal may transmit a data stream (simultaneous use of two or more data channels is dealt with in 12.1 above) of any type and at any rate which has been indicated in the data capability codes it has received from the remote equipment (see Note). The appropriate data command (see Recommendation H.221) is sent and in the following sub-multiframe the data channel is opened, occupying the bits within each frame defined in Recommendation H.221. However, at the time the data command is first sent, these bits shall be unoccupied or contain only video information; therefore audio or any other signals shall be removed from this part of the frame with the prior transmission of an appropriate command. In the case of occupancy by video information, commands are not available to reduce the video rate, but the video decoder continues to operate correctly on the lower flow of information. However, if the video rate is being made very low (for example, less than 30.4 kbit/s) or stopped altogether by the introduction of a data stream, it is advisable first to send freeze-picture request, followed by the video OFF command.

NOTE – Sometimes symmetrical data transmission is required, e.g. in data transmission through the V.24/V.28 interface. If more than one data rate has been identified as common between two terminals, asymmetrical data transmission may take place according to different terminal procedures. This can be avoided by using the highest common rate.

To close a data channel, the appropriate OFF command (MLP-off, etc.) shall be sent. If video or a variable data channel is ON, it will then occupy the bits freed in the next sub-multiframe and thereafter; otherwise, those bits remain unoccupied until another command is sent.

At any time during data transmission the rate may be changed by an appropriate data command, subject to the provisions given above.

12.3 Equipment capable of operating using protocol according to Recommendation T.120

The following provisions apply equally to the use of MLP on the I-channel and to H-MLP in other channels or time-slots, although only MLP is mentioned.

Superseded by a more recent version

Each terminal capable of operating according to Recommendation T.120 shall transmit one or more of the MLP-capability codes and also the T.120 capability value (Table A.3/H.221). This may be done during the capability exchange sequence at the start of the call, or at a later time by initiating a new capability exchange.

When a terminal or MCU wishes to transmit T.120 protocol in a point-to-point call, it shall transmit an MLP-on command at the appropriate rate and then T.120-on; for multipoint calls, see Recommendation H.243 [7]. When a terminal receives MLP-ON, it shall establish an MLP channel at an appropriate rate (the same rate, if [MCC] is in force) in the return direction.

To change the MLP rate, an appropriate MLP command is sent.

To discontinue use of the T.120 protocol, this matter may first be negotiated within the T.120 protocol itself; then one or both terminals transmit MLP-OFF. T.120-off may be used to discontinue T.120 operation without closing the MLP channel.

12.4 Data equipment not conforming to Recommendation T.120

Following opening of a data channel, a code from Table A.3/H.221 may be sent, indicating the content of the channel applicable from the start of the next sub-multiframe. During the communication session, changes of content may be indicated by transmission of another code from Table A.3/H.221.

Before closing a data channel, a code from Table A.3/H.221 may be sent if applicable and if desired.

NOTE – In the case where 64 kbit/s HSD, for example, has been transmitted in the highest-numbered channel of a multiple-B channel connection, a slip during this data transmission would leave a misalignment when the HSD is turned off. To avoid corruption of video under these circumstances, it may be advisable to switch off the video stream before sending HSD-off, switching it on again as soon as A = 0 is received on the erstwhile data channel.

12.5 Dummy data

Terminals which have no data capability at specific rates may experience a loss of video service when engaged in a multipoint call with other terminals which have data capabilities at those rates and begin to use them. To overcome this, the terminal may optionally be designed to transmit "dummy data" at some rates, consisting of all Ones, whenever this is necessary to comply with the received command [MCC] as defined in Recommendation H.230. At the same time, the terminal must be able to digest the incoming multiplexed signal containing data at the given rate(s), correctly processing the reduced video rate but discarding the data.

Such a terminal shall construct its capability set as follows: first, all the real capabilities shall be sent, including the rates at which data applications can really operate, then the value {Nil_Data}, and finally a list of the data capabilities that can only be dealt with as Dummy, including, as a minimum the value {MLP-6.4k} if not available as real data.

When connected to an MCU, the latter will send [MCC] according to Recommendation H.243, and thereafter the simple terminal shall mode-switch to transmit a multiplex of the same audio, video and data rates as it receives, but only Ones are sent in the Dummy Data channel. The data bits of the incoming signal are discarded and the video correctly decoded at the lower rate.

In point-to-point connection, the remote terminal may open a data channel; the simple terminal is not obliged to reciprocate (since [MCC] is absent), but it may do so, operating in the same way as for multipoint working, above.

Superseded by a more recent version

13 Procedures for operation in restricted networks

13.1 Network aspects

In this Recommendation the term "restricted network" applies to:

- networks having restricted 64 kbit/s transfer capability, defined in Recommendation I.464 as 64 kbit/s octet-structured capability with the restriction that an all-zero octet is not permitted;
- networks in which the restriction is in the form of a constraint on Ones density which is not as strict as above, but is satisfied by not allowing an all-zero octet;
- 56 kbit/s networks.

The term "unrestricted network" applies to those providing transparent bearers at rates of 64 kbit/s or other transfer rates listed in Table A.1/H.221.

A significant factor in the procedures is the availability or non-availability of the 8 kHz network clock at the H.221 processor within the terminal: the use of expressions such as "network timing is available" in clause 13 refers to this aspect. In many situations it is not possible to get access to the network timing – for example, when an RS-449 or V.35 interface is used; it is then not possible to ensure that the SC of the H.221 frame will be inserted in Bit 7 with respect to the network clock.

The following two definitions for bit numbering apply.

13.1.1 physical bit position: This is the position relative to the network timing; that is, it is aligned with the network's definition of the eight bit positions on a 64 kbit/s network.

13.1.2 logical bit position: This is the position relative to the H.221 framing. In unrestricted connections, the SC is always in logical Bit 8, and in restricted connections it is always in logical Bit 7. The other bit positions precede the SC in descending order, as described in Recommendation H.221.

There are two restricted modes of operation, according to whether physical or logical Bit 8 is stuffed:

Restrict_P: Stuffing is in physical Bit 8; the SC may be in any other position than Bit 8.

Restrict_L: Stuffing is in logical Bit 8, adjacent to the SC which is in Bit 7; the SC may be in any physical bit position.

In the particular case that the SC is in Bit 7 by network timing, the two modes coincide, this mode being referred to where necessary as "**Restrict_PL**".

The Restrict_P mode requires octet timing from the network at the point where the stuff bit is inserted, but does not require octet or septet timing at the H.221 multiplexer/demultiplexer of the terminal; it occurs at T1 interfaces where a CSU/DSU implements the stuffing, and also wideband ISDN connections that use V.110 rate adaption to connect to restricted endpoints. It is **not** possible to implement Restrict_P mode on interfaces that do not have access to network timing either directly or indirectly.

Lack of network timing results in the Restrict_L mode of operation.

Examples of Restrict_P and Restrict_L modes are depicted in Figure 4.

The subchannel arrangement for the 64 kbit/s Restrict_PL mode is shown in Table B.1/H.221, and an example of Restrict_P in Table B.2/H.221.

The capabilities Restrict_P and Restrict_L are conveyed in the capset by codes defined in Table A.1/H.221. A third relevant BAS value is the NoRestrict capability, applicable to an endpoint which cannot interwork with restricted networked endpoints. Terminals conforming to the 1993 and 1990 versions of this Recommendation do not use or recognize the capability values "Restrict_P", "Restrict_L" and "NoRestrict", and are referred to in clause 13 as "Old" terminals; later terminals are referred to as "New".

Superseded by a more recent version

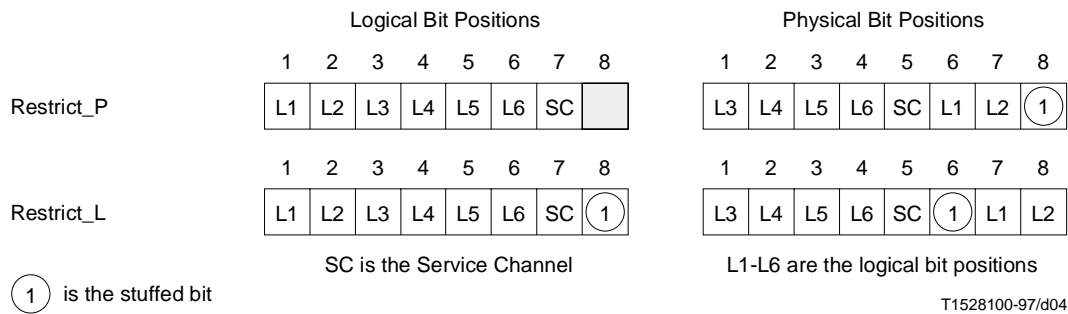


Figure 4/H.242

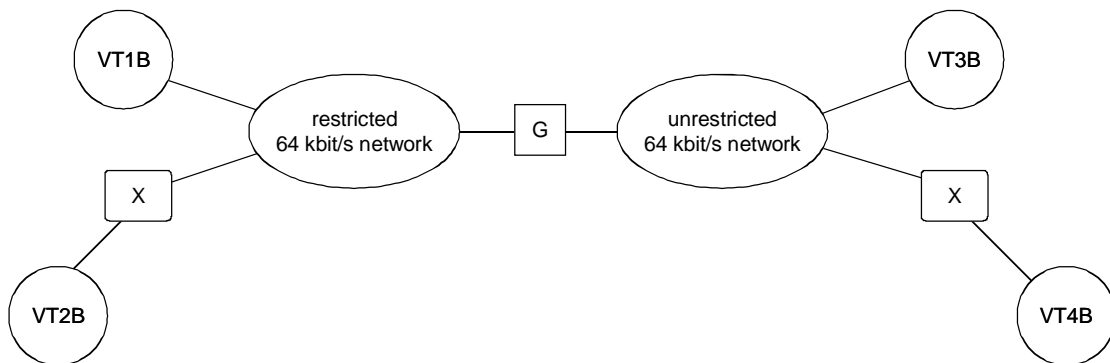
13.2 Terminal-network configurations and properties

13.2.1 Terminals connected to restricted networks providing 56 kbit/s bearers

With reference to Figure 5, VT1B is a terminal connected directly to a 56 kbit/s network, such that the 8 kHz timing is available. Such a terminal is able to operate in Mode Restrict_P only.

VT2B is a terminal consisting of two parts: an H.320 visual telephone is connected indirectly via a device X (such as a terminal adaptor) which itself uses the 8 kHz clock to process the stuffing in Bit 8 but does not make this timing available to the H.320 unit. Such a terminal is able to operate in Mode Restrict_P only.

Each terminal may utilize one, two or more connections.



T1523230-96/d05

Figure 5/H.242

13.2.2 Terminals connected to unrestricted networks providing 64 kbit/s bearers

Again with reference to Figure 5, VT3B is a terminal connected directly to a 64 kbit/s network, such that the 8 kHz timing is available. Such a terminal may be able to operate in Mode Restrict_P or Mode Restrict_L, or both or neither.

VT4B is a terminal consisting of two parts: an H.320 visual telephone is connected indirectly via a device X (such as a terminal adaptor) which itself uses the 8 kHz clock to process the stuffing in Bit 8 but does not make this timing available to the H.320 unit. Such a terminal may be able to operate in Mode Restrict_L, or Mode Restrict_P (using a method such as that described in 13.4.6 below), or both or neither.

Each terminal may utilize one, two or more connections.

Superseded by a more recent version

13.2.3 Terminals connected to restricted networks providing higher rate bearers

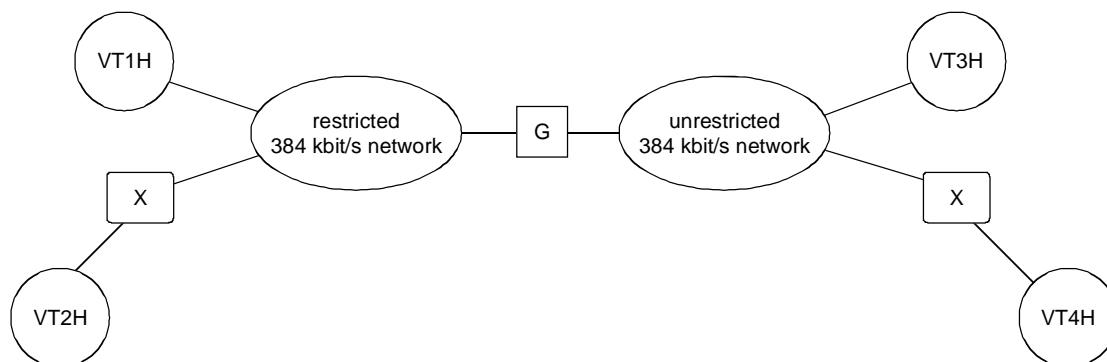


Figure 6/H.242

With reference to the example of Figure 6, VT1H is a terminal connected directly to a 384 kbit/s network, such that the 8 kHz timing is available. Such a terminal is able to operate in Mode Restrict_P or Mode Restrict_L or both.

VT2H is a terminal consisting of two parts: an H.320 visual telephone is connected indirectly via a device X (such as a terminal adaptor) which itself uses the 8 kHz clock to process the stuffing in Bit 8 but does not make this timing available to the H.320 unit. Such a terminal is able to operate in Mode Restrict_P or Mode Restrict_L or both.

13.2.4 Terminals connected to unrestricted networks providing higher rate bearers

With reference to the example of Figure 6, VT3H is a terminal connected directly to a 384 kbit/s network, such that the 8 kHz timing is available. Such a terminal is able to operate in Mode Restrict_P or Mode Restrict_L or both or neither.

VT4H is a terminal consisting of two parts: an H.320 visual telephone is connected indirectly via a device X (such as a terminal adaptor) which itself uses the 8 kHz clock to process the stuffing in Bit 8 but does not make this timing available to the H.320 unit. Such a terminal is able to operate in Mode Restrict_P or Mode Restrict_L or both or neither.

13.2.5 56 kbit/s interconnecting a 64 kbit/s network

A 64 kbit/s terminal will interwork with a 56 kbit/s terminal as a rate adapted data call over a 64 kbit/s bearer channel. The terminal connected to the 64 kbit/s connection will rate adapt according to Recommendation H.221. In the case of a 64 kbit/s terminal connected to ISDN, the terminal may optionally be equipped to intercommunicate through an ISDN V.35 terminal adaptor. In any case, because the 56 kbit/s terminal cannot transmit correctly aligned septets, the terminal at the 64 kbit/s end cannot assume septet timing.

13.3 Transmission formats

13.3.1 Framing signal (56 kbit/s)

The transmission shall be arranged in 80 septet frames as specified in Recommendation H.221.

13.3.2 Transmission formats (56 kbit/s operation)

In 56 kbit/s operation the septets of each 7×80 bit frame will be transmitted in order, most significant bit first at the 56 kbit/s rate. Septet alignment will be recovered from the frame alignment signal as specified in Recommendation H.221.

Superseded by a more recent version

13.3.3 $n \times 56$ kbit/s operation

In $n \times 56$ kbit/s operation, each 56 kbit/s connection will be framed and transmitted separately. Septet timing will be recovered independently from the frame alignment signal of each channel, and the differential delay between the channels will be compensated for on the basis of the multiframe numbering method specified in Recommendation H.221.

The voice signal will be carried in the initial connection and video, graphics and auxiliary data may be carried in the initial and/or other connections.

13.3.4 $n \times H_0$ operation

In $n \times H_0$ operation, each connection will be framed separately and differential delay between the channels will be compensated according to Recommendation H.221.

13.3.5 Dynamic allocation within a primary-rate connection

Intelligent terminals may have a means for dynamically increasing or decreasing the bit rate during a connection. The means for controlling these allocations will be performed according to Recommendation H.221. There may be a need to recover framing by extraction from the received signal independently.

13.4 Procedures

The procedures described here take place after any adaptation has been made to take account of the D-channel messages. The capset-generator part of the terminal must be aware of the situation with respect to network timing.

13.4.1 Capability values to be transmitted

Restrict_Required

An endpoint which can only send and receive restricted signals shall include {Restrict_Required} in its capset; this value should be placed at the beginning of the capset, following cap-mark; such a terminal shall not include the value {NoRestrict}. When a terminal is connected to a restricted network, it shall send Restrict_Required in the initial capability set, as well as subsequent capability sets. However, it is allowable to delete the Restrict_Required capability in subsequent capability sets if the restricted condition no longer exists. In this case, the transmit frame structure shall remain in the restricted mode until a Derestrict command has been sent. Likewise, if the Restrict_Required capability was not included in the initial capability set, it may be included in subsequent capability sets if a restricted condition exists at a later time.

A terminal which is connected to an unrestricted network shall not normally include Restrict_Required in its capset; however, if for any reason (such as the case of 13.4.5) restricted operation is necessary, a terminal may then include the Restrict_Required capability. An MCU on an unrestricted network may send Restrict_Required capability if necessary for interworking with terminals connected to restricted networks.

NOTE 1 – The "restrict required" capability was known as "restrict" capability in 1993 and earlier versions of Recommendations H.242 and H.221.

NoRestrict

An endpoint which is unable to send and receive restricted signals shall (see Note 2) include {NoRestrict} in its capset, and shall not include any of the values {Restrict_P, Restrict_L, Restrict_Required}.

NOTE 2 – A terminal conforming to earlier versions of this Recommendation cannot send the NoRestrict value.

Restrict_P and Restrict_L

An endpoint which can send and receive Restrict_P shall (see Note 3) include {Restrict_P} in its capset, whether or not it is itself connected to a restricted network.

An endpoint which can send and receive Restrict_L shall (see Note 3) include {Restrict_L} in its capset, whether or not it is itself connected to a restricted network.

Superseded by a more recent version

An endpoint which can send and receive both Restrict_P and Restrict_L shall (see Note 3) include {Restrict_P, Restrict_L} in its capset, whether or not it is itself connected to a restricted network. Two cases may be distinguished:

- Network timing is available at the (de)multiplexer, so the terminal can transmit and receive Mode Restrict_PL.
- Network timing is not available at the (de)multiplexer, but in addition to Restrict_L the terminal is able to send and receive Restrict_P by using a technique such as that described in 13.4.6.

NOTE 3 – A terminal conforming to earlier versions of this Recommendation cannot send Restrict_P or Restrict_L values.

Table 1 defines the nine types of terminals that can be distinguished by their transmitted restrict-related capabilities. Note that terminal type T9 is the only allowable combination that uses the NoRestrict_Cap. Terminal types T6 and T8 are not allowed on restricted narrow-band networks because Restrict_L cannot be used on these networks. Thus, T7 is the only type applicable to such networks.

Table 1/H.242 – Terminal classification based on restricted capabilities

| Terminal Classification | Restrict_Required | Restrict_P_Cap | Restrict_L_Cap | NoRestrict_Cap | New/Old | Requires octet timing |
|-------------------------|-------------------|----------------|----------------|----------------|---------|-----------------------|
| T7 | Yes | Yes | No | No | New | (Note 2) |
| T6 | Yes | No | Yes (Note 1) | No | New | No |
| T8 | Yes | Yes | Yes (Note 1) | No | New | (Note 2) |
| T2 | No | No | Yes | No | New | No |
| T3 | No | Yes | No | No | New | (Note 2) |
| T4 | No | Yes | Yes | No | New | (Note 2) |
| T9 | No | No | No | Yes | New | No |
| T5 | Yes | No | No | No | Old | (Note 3) |
| T1 | No | No | No | No | Old | (Note 4) |

NOTE 1 – Restrict_L cannot be used on restricted narrow-band networks, so Types T6 and T8 can exist only on wideband networks.

NOTE 2 – Restrict_P can be implemented using Recommendation V.110 in the terminal adapter, octet timing, or a technique similar to that described in 13.4.6.

NOTE 3 – This terminal must use Restrict_P on restricted narrow-band channels and (usually?) Restrict_L on restricted wideband channels.

NOTE 4 – It cannot be determined which restricted modes this terminal supports based on its capabilities: when restricted operation is initiated there is no assurance of interoperability in this case.

13.4.2 Selection of appropriate restricted mode

The mode selection is made according to the capabilities in the current received and transmitted capability sets. The same mode shall be used in both directions.

Table 2 shows the modes of operation between the new types of terminals. There are several cases where restricted operation is not possible. Manufacturers should support both restricted modes when possible to increase the chance of interoperation.

Tables 3 and 4 show the mode of operation between old and new terminals on narrow-band and wideband connections respectively. When one or both endpoint have sent Restrict_Required, Restrict_P is used on restricted narrow-band connections, and Restrict_L is used on restricted wideband connections. Terminal type T1 is an old terminal that does not send any restrict-related capabilities. When T1 is connected to an unrestricted terminal the restricted mode is undefined.

Superseded by a more recent version

Table 2/H.242 – Mode of operation between new terminals

| Local terminal type | Local restricted mode supported | Remote terminal type | Remote restricted mode supported | Possible working modes | Resulting mode used |
|---------------------|---------------------------------|----------------------|----------------------------------|------------------------|---------------------------|
| T2 | RL | T2 | RL | Unrestricted or RL | Unrestricted |
| | | T6 | RL | RL | Restrict_L |
| | | T4 | RL, RP | Unrestricted or RL | Unrestricted |
| | | T8 | RL, RP | RL | Restrict_L |
| | | T3 | RP | Unrestricted | Unrestricted |
| | | T7 | RP | None | No communication possible |
| | | T9 | None | Unrestricted | Unrestricted |
| T6 | RL | T2, T6 | RL | RL | Restrict_L |
| | | T4, T8 | RL, RP | RL | Restrict_L |
| | | T3, T7 | RP | None | No communication possible |
| | | T9 | None | None | No communication possible |
| T4 | RP, RL | T2 | RL | Unrestricted or RL | Unrestricted |
| | | T6 | RL | RL | Restrict_L |
| | | T4 | RL, RP | Unrestricted or RL | Unrestricted |
| | | T8 | RL, RP | RL | Restrict_L |
| | | T3 | RP | Unrestricted or RP | Unrestricted |
| | | T7 | RP | RP | Restrict_P |
| | | T9 | None | Unrestricted | Unrestricted |
| T8 | RL, RP | T2, T6 | RL | RL | Restrict_L |
| | | T4, T8 | RL, RP | RL | Restrict_L |
| | | T3, T7 | RP | RP | Restrict_P |
| | | T9 | None | None | No communication possible |
| T3 | RP | T2 | RL | Unrestricted | Unrestricted |
| | | T6 | RL | None | No communication possible |
| | | T4 | RL, RP | Unrestricted or RP | Unrestricted |
| | | T8 | RL, RP | RP | Restrict_P |
| | | T3 | RP | Unrestricted or RP | Unrestricted |
| | | T7 | RP | RP | Restrict_P |
| | | T9 | None | Unrestricted | Unrestricted |
| T7 | RP | T2, T6 | RL | None | No communication possible |
| | | T4, T8 | RL, RP | RP | Restrict_P |
| | | T3, T7 | RP | RP | Restrict_P |
| | | T9 | None | None | No communication possible |
| T9 | None | T2, T3, T4, T9 | | Unrestricted | Unrestricted |
| | | T6, T7, T8 | | None | No communication possible |

Superseded by a more recent version

Table 3/H.242 – Mode of operation between new and old terminals on narrow-band connections

| Local terminal type | Local restricted mode supported | Remote terminal type (Note 2) | Remote restricted mode supported | Possible working modes | Resulting mode used |
|---------------------|---------------------------------|-------------------------------|----------------------------------|------------------------|------------------------------|
| T1 | (Note 1) | T2, T3, T4 | – | Unrestricted (Note 1) | Unrestricted |
| | | T9 | | Unrestricted | Unrestricted |
| | | T7 | – | RP or none | Restrict_P if T1 can do this |
| T5 | RP | T2 | RL | None | No communication possible |
| | | T3, T7, T8 | RP (Note 2) | RP | Restrict_P |
| | | T4 | RL, RP | RP | Restrict_P |
| | | T9, T6 | None (Note 2) | None | No communication possible |

NOTE 1 – A T1 terminal may be capable of RP and/or RL modes, but whether or which cannot be determined remotely.
 NOTE 2 – Terminals T6 and T8: Restrict_L cannot be used on restricted narrow-band networks.

Table 4/H.242 – Mode of operation between new and old terminals on wideband connections

| Local terminal type | Local restricted mode supported | Remote terminal type | Remote restricted mode supported | Possible working modes | Resulting mode used |
|---------------------|--------------------------------------|----------------------|----------------------------------|------------------------|------------------------------|
| T1 | (see Note 4 of Table 1) | T2, T3, T4, T9 | – | | Unrestricted |
| | | T6 | RL | | Restrict_L if T1 can do this |
| | | T7 | RP | | Restrict_P if T1 can do this |
| | | T8 | RL, RP | | RL or RP if T1 can do this |
| T5 | RL and/or RP (see Note 3 of Table 1) | T2, T6 | RL | | Restrict_L if T1 can do this |
| | | T3, T7 | RP | | Restrict_P if T1 can do this |
| | | T4, T8 | RL, RP | | RL or RP if T1 can do this |
| | | T9 | None | | No communication possible |

V.110 rate adaption

The Restrict_Required code shall be sent by an endpoint attached to a narrow-band connection when V.110 rate adaption is used, even if the network itself is unrestricted. V.110 rate adaption stuffs a "1" in physical bit position 8, and it is not possible to operate in an unrestricted mode in this situation. V.110 rate adaption is used to enable interoperability between unrestricted ISDN networks and restricted networks. For example, V.110 rate adaption can be used when connecting from a switched 56 kbit/s site to a BRI site, or even when connecting between two BRI sites when there is a restricted segment somewhere along the communications path.

Superseded by a more recent version

Backward compatibility with old terminals

Old systems do not send the restrict capability if they do not require operation in the restricted mode of operation. There is no way to know if an old terminal attached to an unrestricted network is capable of the restricted mode of operation. Under this procedure, if the remote terminal does not send any of the new restricted operations capabilities, the local terminal shall assume that the remote terminal may or may not be capable of the restricted mode of operation.

If restrict capabilities are not received, and the restricted mode is not required by the local terminal, the local terminal shall not use the restrict commands.

If the restricted mode is required by the local terminal, call establishment will be attempted anyway. There are three possible outcomes:

- 1) Frame alignment is not achieved, either:
 - i) because the remote end has no restrict capabilities – this can be automatically detected and signalled to the user; or
 - ii) for some other reason, such as a fault condition.
- 2) Frame alignment is achieved, but the two sites are operating in different restricted modes which will corrupt the audio, video and data; this can be detected if CRCs are in use, or may otherwise be clear from the failure of the video decoder to synchronize, in which case the user may be informed of an incompatibility. It will be obvious to the user that something is wrong.
- 3) The two sites will successfully connect in the same restricted mode of operation.

13.4.3 Restricted mode transmitted

An endpoint which is required to switch from unrestricted to a restricted transmission shall first send [restrict] and then adopt the restricted mode according to Table 2 at the next sub-multiframe. An endpoint which is required to switch from restricted to unrestricted transmission shall first send [derestrict] and then adopt unrestricted transmission at the next sub-multiframe.

An endpoint already transmitting a restricted mode shall include the command [restrict] in all repetitive transmissions of valid commands in force. An endpoint transmitting unrestricted after previously transmitting a restricted mode shall include the command [derestrict] in all repetitive transmissions of valid commands in force.

An endpoint which receives the capability value {RestrictRequired} shall, if it is not already transmitting in the appropriate mode according to Tables 2 to 4, perform a mode switch to that mode according to the procedure of 9.2. In the case that it has previously received [MCC], if it is in the process of transmitting a capset when {RestrictRequired} arrives and at the same time it is receiving $A = 0$, it shall first complete this capset according to 8.1; if receiving $A = 1$, the mode switch shall be performed immediately.

In a point-to-point connection, a restrict command may be sent at any time, as long as it is within the capability sets of both terminals. It is allowable for one system to send in the unrestricted mode while the other system is sending in a restricted mode. Switching from the restricted mode to the unrestricted mode should be done in a clean manner without any loss of framing or data.

Prior to switching to the restricted mode, the audio and data channels shall be set to data rates that are consistent with the restricted mode of operation. As an example, 56 kbit/s G.711 audio shall not be in use immediately before a switch from unrestricted to restricted operation is made. In this situation, the audio shall be changed to 48 kbit/s G.711 prior to switching to the restricted mode. The 48 kbit/s G.711 command (000) [20 or 21] may only be sent immediately before the restrict command in the unrestricted mode. Likewise, when switching from restricted with G.711 audio at 48 kbit/s to unrestricted operation, the "derestrict" command shall be immediately followed by the audio command (000) [18 or 19].

Calls involving an MCU

The restrict and derestrict commands as described in Annex A/H.221, shall be used to downgrade a non-restricted call involving an MCU and upgrade a restricted call involving an MCU.

Superseded by a more recent version

13.4.4 Restricted mode received

An endpoint which receives the command value [Restricted] shall demultiplex accordingly from the beginning of the subsequent sub-multiframe, destuffing according to the mode identified in Tables 2 to 4.

13.4.5 Restricted "bottleneck" between two unrestricted networks



T1523250-96/d07

Figure 7/H.242

If a call is made from a terminal on an unrestricted network to a terminal on another unrestricted network, it may happen that the connection is made via a restricted network (see Figure 7). If the request for an unrestricted 64 kbit/s connection is rejected at the first gateway according to Recommendation Q.931, a new request shall be made, this time for a 56 kbit/s bearer. However, if there is no such rejection and the call is connected, the terminals will initially be unaware of the restriction, either because the transmitted capsets do not contain Restrict_Request or because no BAS is conveyed at all (overwritten by stuffing bits). Terminals likely to encounter this situation should be able to send capabilities {Restrict_required and Restrict_P or Restrict_L}, and to transmit the appropriate restricted mode, under one of the following conditions:

- i) detecting all Ones in physical Bit 8 or logical Bit 8;
NOTE – There is no guarantee that the restricted network will insert only Ones in Bit 8;
- ii) if no FAS is detected within 5 seconds;
- iii) including the restricted capabilities and transmitting in the restricted mode from the outset.

13.4.6 Interworking between Restrict_L and Restrict_P endpoints

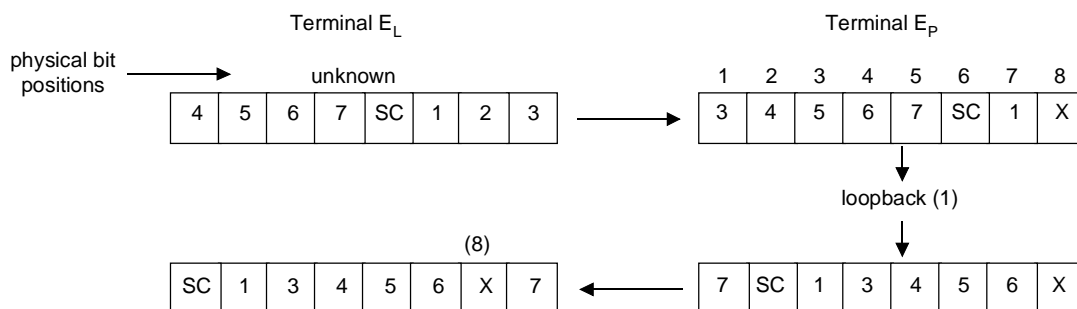
All terminals shall respond to the digital loopback command LCD and the Loop-Off command (codes (010) [20 and 21] in Table A.1/H.221). A terminal which has received LCD and {Restrict_P} before the initial capability exchange is complete shall suspend timer T1 until it receives Loop-off.

Terminal E_L is attached to an ISDN operating at 64 kbit/s, but has no access to network timing; it is able to work in the Restrict_L mode. The following method may be used to achieve interworking in Mode Restrict_P. A terminal capable of achieving Restrict_P operation by this or a similar method shall include {Restrict_P} in its capability set, in addition to {Restrict_L}.

If the signals received at E_L have included the capability {Restrict_P} but not {Restrict_L}, and either {Restrict_Required} or command [restrict], it terminates the current transmission of capability sets, if any, sends Au-off, F (see Table A.1/H.221) and LCD; if any video or data signals are active, they are also switched off. Each Bit position of the transmitted stream is filled with a different repetitive pattern other than all Ones or all Zeros, such that each logical bit position 1-7 may be identified. When this transmission reaches Terminal E_P , one of the logical bit positions has been stuffed: two cases are considered, that where one of the Bits 1-7 is stuffed, and that in which the SC position is stuffed.

13.4.6.1 Stuffing in one of Bits 1-7

In the following illustration, logical Bit 2 has been stuffed.



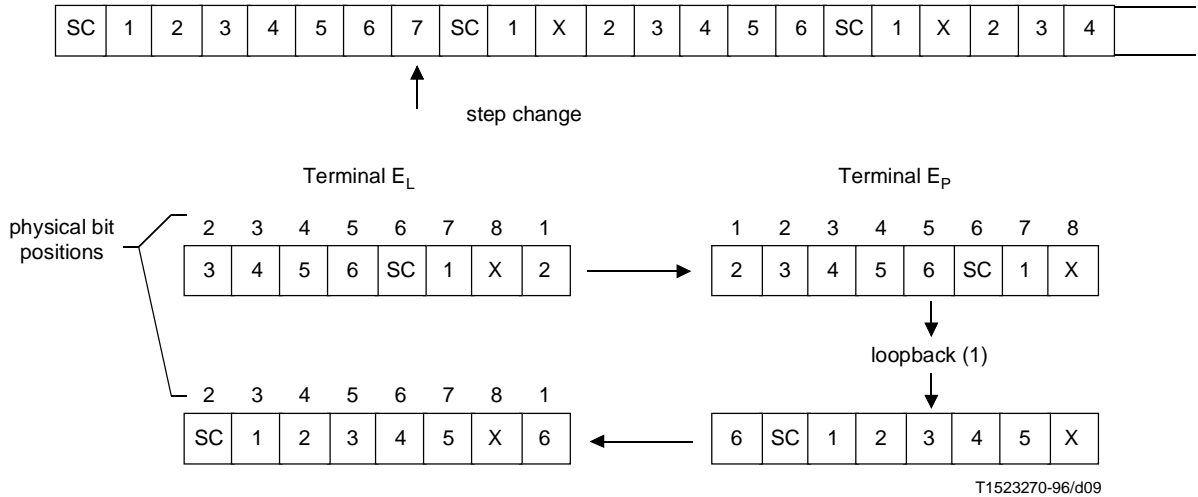
T1523260-96/d08

Superseded by a more recent version

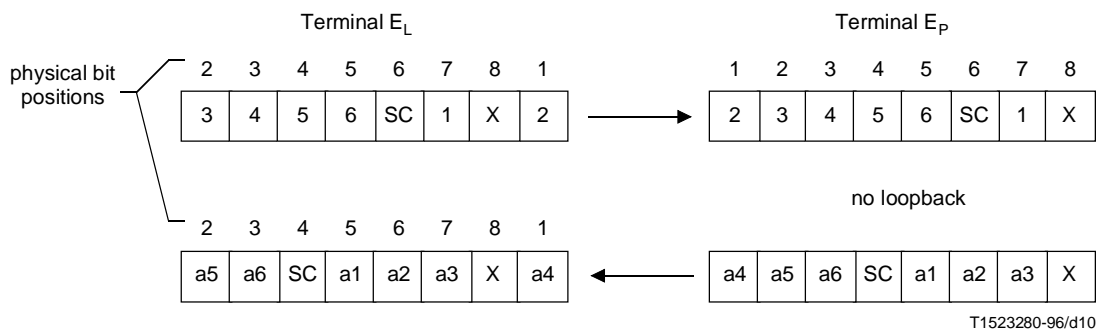
The digital loopback (1) returns the same bits as received at E_P , with no particular relationship to the network timing, but of course the stuffing bit is correctly positioned.

The returned signal to E_L has Bit 2 missing, so it is now known that outgoing Bit 2 occupies transmitted physical Bit 8. Moreover, the returned signal to E_L also has a stuffed bit X interposed at random: this bit X shall now be interpreted as identifying the incoming physical Bit 8.

Terminal E_L now makes a step change in its transmission, thus (following the above example):

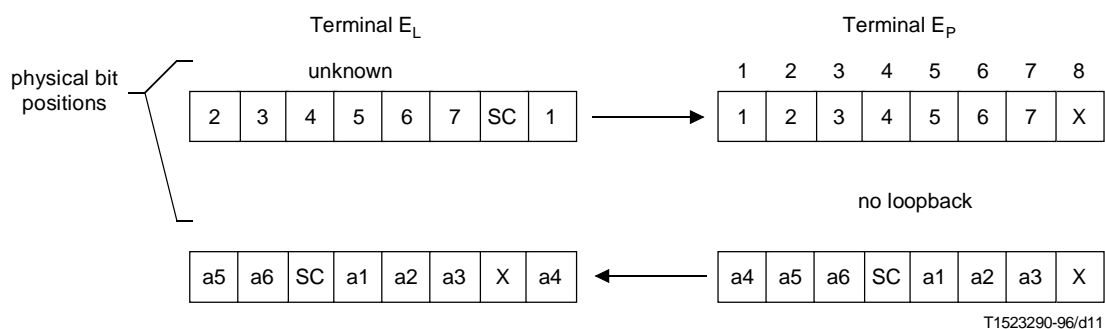


It is now the Bit 8 which is lost. E_L now sends Loop-off, audio on, and repetitive capability sets, entering mode initialization procedure of 9.1. On the receive side, the signal from E_P probably has the SC in a different position, since its framer does not see the network timing, but physical Bit 8 continues to be stuffed, and so E_L discards this; a1-a6 denote PCM audio bits.



13.4.6.2 Stuffing in SC position

If the SC is the bit position which is lost, overstuffed by the network, the LCD value does not reach E_P , and E_L continues to receive the signal from E_P .



Superseded by a more recent version

In this case, the first step change must be to move the SC itself and stuff the outgoing bit which will be lost. Then the same loopback procedure is used to identify which of the incoming bits is to be discarded.

14 Procedure for use of BAS-extension codes

Recommendation H.221 provides for the attribute (111) for extension of the use of the BAS position in the subsequent sub-multiframe(s) for other purposes. There are 32 values [0] to [31] of this attribute, the meanings of these being defined in Recommendation H.221.

Note that the value (111) [24] is the capability marker (see [2]) which is followed by normal BAS codes, not by any escape values. Non-ITU-T capabilities messages should not contain this byte (111) [24], thereby emulating cap-mark, as this may hinder error-recovery procedures.

Values [0-14] are reserved for future extension of the scheme to include attribute class and family. They shall not be transmitted to an endpoint which has not declared the capability esc-CF, (101) [29] in Table A.1/H.221, otherwise serious misoperation may occur.

Values [15-23] are defined as Single-Byte Extension (SBE); codes of SBE type may be transmitted at any time and to any terminal.

Value [18] gives access to a table of values specifying applications of a data channel (LSD or HSD or MLP). The application is active from the sub-multiframe following that in which the relevant specific application command BAS is transmitted. The closure of the data channel (using LSD/HSD/MLP-off) effectively closes the application.

All terminals shall recognize the SBE attributes, at least to the extent of ignoring the subsequent code, whose meaning is not prescribed in this Recommendation. However, when (111) [17] is received, the subsequent code may be one of the mandatory values specified in Recommendation H.230. The ability of a terminal to use the content of other such codes is governed by other Recommendations. For example, Recommendation H.320 defines the requirements for visual telephone terminals to act upon some of the control and indication values.

Values [25-31] are of Multiple Byte Extension (MBE); codes of MBE shall only be transmitted to a terminal which has previously indicated its capability to receive MBE. It follows that a non-ITU-T capabilities message shall not be transmitted in the initial capability exchange, until the MBE-cap has been received. An example of the structure of MBE messages is given in Appendix III.

15 Bit occupancy and the sequencing of BAS codes

In general, when there is no set procedure governing the sequence of BAS codes, the order is determined by the sending terminal. When there is no other demand for use of the BAS position, all the valid BAS commands in force as indicated in Appendix IX shall be repeated, so that in the event of a temporary disturbance the proper mode will be restored as soon as possible thereafter.

Table 5 summarizes the BAS capabilities that can be simultaneously valid.

The capability set consists of the capability marker (111) [24] followed by all currently valid values; the values may be in any order except for the provisions of 5.2, 12.5 and 13.4.1. No values other than null shall be repeated within a set (and Null shall not be transmitted by a terminal – see [6]). The set may in turn be followed by a repetition of the set, or by the marker alone to indicate completion of the set prior to sending commands. Repetitions of the set shall be without any change whatsoever, either in content or order. The length of the capability set iteration is not limited, but the last capability set shall be followed by a cap-marker and at least one command listed in Table 6. If it is desired to change the capability set during its transmission, the existing set shall first be completed without change, followed by the marker alone and at least one BAS command before the new, changed set is started. See Appendix VIII for some examples of legal and illegal BAS sequences.

Table 6 summarizes the BAS commands that can be simultaneously in force.

Superseded by a more recent version

Only one value in each row can be in force at any one instant, up to 19 values on the initial channel (all the above values except (001) [18-22] apply only to the initial channel); however in practice many of the combinations are precluded by the fact that they would affect the same bits of the channel (for example, (011) [31] and (011) [19] cannot coexist).

A command remains in force until another from the same row is transmitted. A command shall not be transmitted if to obey it would cause a simultaneous mode change on another row; in such a case the other row value shall be changed first (for this purpose, a change of bit-rate of video or any of the variable data values does not constitute a mode change).

In general, unless specified otherwise, a BAS code which is invalid or which contravenes the provisions of this table, or otherwise indicates an impossible frame structure or system status, shall not be transmitted.

Table 5/H.242 – BAS capabilities that can be included in a valid capability set^{a)}

| | |
|--|--|
| Audio | Absent or One or more values ^{b)} from A-law, μ -law, G.722-48, G.722-64, G.728, G.723.1, G.729 |
| Video | Absent, or (H.261-QCIF plus one MPI value), or (H.261-CIF plus two MPI values), and/or video-MPEG-1, and optionally an MBE message of type <H.262/H.263> containing at least one H.263 value |
| Transfer rate | Absent [meaning rate = 64 kbit/s only ^{c)}] or: max. no. of 64 kbit/s channels; max. no. of 384 kbit/s channels; and in addition any relevant values from { 128, 192, 256, 320, 512, 768, 1152, 1472, 1536, 1920 kbit/s} and Table A.5/H.221 |
| Restricted network | Either i) absent; or ii) No_Restrict only; or iii) one or more of Restrict_required, Restrict_P, Restrict_L |
| Single/Multiple channel compatibility | Absent or {SM-comp} or {6B-H ₀ -comp} |
| Low-Speed Data (LSD) | Absent or all relevant values |
| High-Speed Data (HSD) | Absent or all relevant values ^{d)} |
| Low-speed MLP | Absent or all relevant values or MLP_Set1 or MLP_Set2 |
| High-speed MLP | Absent or all relevant values |
| Applications in data channel | Absent or all relevant values |
| Capabilities defined in Recommendation H.230 | Absent or all relevant values |
| Audio-ISO capabilities | Absent or all relevant values |
| Encryption | Absent or present |
| Multiple-byte extension | Absent or present |
| <p>a) See Appendix VI for hierarchical capability BAS codes.</p> <p>b) See Appendix VII for interpretation of received audio capabilities.</p> <p>c) When reducing the transfer-rate capability to 64 kbit/s from a higher value, the value transfer-capacity = 64 kbit/s shall be included.</p> <p>d) A capability set shall not include any HSD capabilities whose bit rates exceed the transfer rate capability (e.g. 256 kbit/s HSD for 2B transfer rate).</p> | |

Superseded by a more recent version

Table 6/H.242 – Command summary

| Attribute | Alternative values (last value only is valid) | Default assumed | Comments |
|--------------------------------|--|--|--|
| Audio (000) | [0, 4-7, 10, 11, 18-19, 24-31] | [18 or 19] | |
| Transfer rate (001) | [0-16, 23, 24, 26, 29] [17] | [0] | [17] – see 10.2.3 |
| Restrict (010) | [27, 28] | [28] | |
| Video and other (010) | [0-3, 8, 9] [6, 7] [16] [17] [18, 21] [19, 21] [20, 21] [23-26] | [0] [7] [21] [21] [21] [24] | Cancelled by command in video frame Expires after fast update completed |
| LSD and MLP (011) | [0-15, 31] [16-30] and (010) [5] | [0] [16] | Simultaneous LSD and MLP may be sent only if {H.224-sim} has been received – see Reference [4] |
| HSD and H-MLP and Au-ISO | (011) [0, 1, 17-26] (011) [2-8, 12-14] (001) [0-22] (001) [23, 24] (001) [25-28] | [0] [14] [0] [24] [25] | Reached from Escape table (111) [16] |

In general, a terminal is not required to recognize BAS-commands which do not correspond to capabilities it has previously declared; however it is better practice to recognize such commands and classify them as:

- i) those which can be ignored; and
- ii) those which may result in a mode mismatch (see 9.4).

It is important not to initiate a recovery procedure unnecessarily (for example, on receipt of LSD-off when it had never been declared or turned on), since this could result in system lock-up between two terminals having different internal procedures.

The following notes serve to clarify the application of these rules to the multiplexing of audio, video and the various forms of data. Some examples relating to data transmission are given in Appendix V.

- a) Audio cannot penetrate into fixed rate data (LSD or MLP) bit positions. It can expand its capacity into vacant or video or variable data bit positions. It can reduce its capacity within the audio bit positions currently occupied.
- b) Video occupies all bit positions which are not assigned by other commands (ECS, audio, LSD/MLP regardless of being fixed rate or variable rate).

Video can be turned on at any time even if the available capacity for video is zero at the corresponding sub-multiframe; (it may happen, for example, that video is switched on just before the variable rate LSD or MLP channel is closed); the demultiplexer shall not ignore "video on" even in this case, otherwise a mode mismatch occurs. However, if video capacity is less than about 30 kbit/s averaged over several sub-multiframes, it may not be practical to decode and display the picture – this is left to local decision in the terminal.

It should be noted that video-off, (010) [0], should be preceded by freeze-picture request, (010) [16].

To ensure that the picture builds up quickly when the video transmission first begins, the encoder shall transmit in INTRA mode (see Recommendations H.261, H.262 and H.263).

Since this INTRA can be received completely only if the remote decoder is ready, the encoder shall estimate when it should start INTRA. One way may be to repeat INTRA appropriate times or send Fill bits (defined in 5.4.3/H.261) before sending INTRA. Another way may be that the decoder estimates when the remote encoder is ready and issues a VCU command at an appropriate timing.

Superseded by a more recent version

- c) Fixed rate LSD/MLP cannot penetrate into audio bit positions nor into fixed rate MLP/LSD bit positions. It can expand its capacity into vacant or video or variable MLP/LSD bit positions. It can reduce its capacity within the data bit positions currently occupied. As a combination, fixed rate LSD/MLP can occupy new bit positions which have previously been either vacant, video, variable rate MLP/LSD or occupied by the same type of fixed rate data.
- d) Variable rate LSD/MLP occupies all bit positions which are not assigned by other fixed rate commands (ECS, audio, fixed rate MLP/LSD). If video has been on, it is excluded from the initial channel when variable rate LSD or MLP is turned on. If variable rate LSD/MLP has been on, opening a variable rate MLP/LSD channel shall be preceded by closing the existing variable rate LSD/MLP channel.

Variable rate LSD or MLP can be turned on at any time even if the available capacity for it is zero at the corresponding sub-multiframe; (it may happen, for example, that the variable MLP is switched on just before closing the LSD channel which has been occupying all the capacity other than audio); the decoder shall not ignore "variable rate LSD or MLP on" even in this case, otherwise a mode mismatch occurs.

- e) LSD/MLP rate may be changed without first closing the data channel – this applies equally to changes between fixed and variable rate. It is emphasized that there can only be one LSD and one MLP channel at any instant.
- f) Capacity of video or variable LSD/MLP can be temporarily reduced to zero in a sub-multiframe as part of dynamic bit rate allocations.
- g) The rules for the use of HSD and H-MLP (in other than the I-channel) are identical to those given above for LSD and MLP in the I-channel.
- h) Any code can be sent in bit positions which have not yet been opened by the BAS commands. In a 2B communication, for example, the additional channel may send "0" or "1" or any combinations in bit positions except those for FAS and BAS till a 2B transfer rate command is sent. It should be noted that although the terminal may set the "unopened" bits to any values, there is no assurance that those bits will be delivered to other terminals in a multipoint conference by the MCU.

16 Procedure for dealing with single/multiple channel interconnection

Terminals that have single channel network access (e.g. 384) are able to interwork with terminals that use multiple channels to access a digital network (e.g. 6B). This is accomplished by the use of the SM-comp or 6B-H₀-comp BAS capability and command codepoints (refer to A.3/H.221 and A.7/H.221) and the use of an MCU or a Channel Aggregation Unit (CAU).

If the terminal possess this capability, that terminal shall declare it along with its transfer rate capabilities in its capability set. The "comp" capability applies to all of the transfer rates supported by the terminal.

When the [SM-comp] or [6B-H₀-comp] command has been received at such a terminal, it discards the least significant bits in the first 16 octets of the received bit stream except those in TS1; it also sets those same bits to "1" in the transmitted bit stream.

A terminal using multiple channel access does not receive [SM-comp] or [6B-H₀-comp].

Full procedures for CAU operation may be found in Recommendation H.244 [6], and for MCU operation in Recommendation H.243 [7].

17 Procedure for use of encryption control signal channel

Each terminal shall transmit the encryption capability code if it is able to handle the ECS channel. No terminal may activate the channel without first receiving the corresponding capability code. Once an ECS capability code has been transmitted, it cannot be cancelled by omission from a subsequent capability exchange. That is to say, a terminal having once received, stored and made use of an ECS capability code shall assume continued validity until cancelled by the local user. Thus, encryption can be discontinued by the users themselves but not by a third party tampering with the BAS-capability exchange.

Superseded by a more recent version

The initiating terminal transmits the command "ECS channel ON"; from the next sub-multiframe it opens the 800 bit/s ECS channel defined in Recommendation H.221, whose use is specified in the Recommendation defining the encryption system (FAS, BAS and the ECS channel itself are in any case not encrypted).

When encryption has been turned off, the BAS command "ECS channel OFF" is used to close the ECS channel.

18 Transmission of network addresses

The SBE and MBE symbols referred to in this clause are defined in Recommendation H.230 [2].

The optional procedures of this clause provide for an endpoint to request network-address information from the remote endpoint to which it is connected. An "endpoint" may be a terminal, MCU, channel aggregator or other equipment conforming to this Recommendation. An endpoint which cannot recognize or act upon a received request shall simply disregard it.

NOTE – Some networks require the use of the same network address for additional connections as for the initial; however, in other networks this may not be the case. It is strongly recommended that, wherever possible, additional-channel network addresses should be such as is conveyed by one of the single SBE symbols NIS, NIC, NID, and terminals should be able to transmit and receive NCA-a, NIS, NIC and NID.

18.1 Address of initial connection

18.1.1 Calling endpoint

If the network address of the destination is not already known, the calling endpoint may elicit the address of the initial channel connection by sending the SBE symbol NCA-i; this may be necessary following a Call Transfer, for example. The remote end is not obliged to divulge this information, which is sometimes kept "ex-directory" according to the user's wish; in this case, it should respond by sending NIR.

18.1.2 Called endpoint

A called endpoint may respond to NCA-i in one of two ways:

- using the SBE symbol sequence NIA-s;
- using the MBE message NIA-m: in this case, the calling endpoint must have included {MBE-cap} in its capability set.

18.2 Addresses of additional connections

18.2.1 Calling endpoint

If the network addresses of potential additional channels at the destination are not already known, the calling endpoint may elicit these by sending the SBE symbol NCA-a; it then expects to receive NIS, NIC, NID, NIA-s, or NIA-m in reply. Such a request may be made after sequence A is complete, or at other times during the call if necessary. If no reply is received, then the calling end may assume that additional-connection addresses have the relationship which is customary on that network, if known, or may take other appropriate action. For example, in some regions, 2B videotelephony is provided with identical addresses for both channels.

The called endpoint is not obliged to divulge the additional-channel full address, which may be "ex-directory" according to the user's wish; in this case, it should respond by sending NIR.

Any terminal which is able to recognize the symbol NIQ-s or NIQ-m shall not try to request additional connections without first obtaining the appropriate address(es); to do this, it shall first complete sequence A with Outcome I, then send one or more valid commands in force, then NCA-a, and then continue as specified in the current Recommendation H.242. When a valid response (NIA-s or NIA-m) is received, the information shall then be used in requesting any additional connections.

Superseded by a more recent version

If no valid response is received within two seconds, NCA-a may be repeated; unless and until a valid response is received, the call shall remain as a 1B call.

NOTE – A terminal which is unable to respond to NCA-a but which is called via a supplementary service (diversion, transfer, etc.) will not advise the calling terminal how to address any request for additional connections; the calling terminal may then make such a request to the same address as for the initial connection, but in many circumstances the additional requests will be abortive and may even inconvenience other users. Likewise, a calling terminal which is $n \times B$ capable but cannot recognize NIQ is likely to attempt to set up additional channels in a way which could be abortive when supplementary services are invoked at the called end.

18.2.2 Called endpoint

A called endpoint which has all its addresses the same shall be able to respond to receipt of NCA-a by returning the SBE symbol NIS (see Note).

A called endpoint which has consecutive addresses above that for the initial connection shall be able to respond to receipt of NCA-a by returning the SBE symbol NIC (see Note).

A called endpoint which has address for connection #2 the same as that for the initial connection, and pairs or connections on consecutive addresses above this, shall be able to respond to receipt of NCA-a by returning the SBE symbol NID (see Note).

A called endpoint which has different network addresses for its multiple ports, and these addresses cannot be conveyed by any of the SBE symbols NIS, NIC or NID, shall respond in one of two ways:

- using the SBE symbol sequence NIA-s;
- using the MBE message NIA-m: in this case, the calling endpoint must have included {MBE-cap} in its capability set.

In either case, the number of addresses conveyed by this message shall be consistent with the transfer-rate capability declared by that called endpoint.

NOTE – Terminals should always return the full address NIA-s or NIA-m; the reason for this is that if a terminal returns a differential address after a call transfer (etc.), then there are problems for the remote terminal. The differential address codes NIS, NIC, NID would not be valid in the case where an endpoint has been called on an initial connection only and as a result of a diversion from another address. Terminals which often receive transferred or diverted calls should always respond in this way, and in addition may signal this situation to the calling endpoint using NIQ-s or NIQ-m, to avoid the latter attempting to obtain additional connections using the wrong addresses. Thus NIS, NIC, NID should only be used by MCUs and Channel Aggregators.

Such an endpoint may include either NIQ-s or NIQ-m in its capset at a position preceding the $\{n \times B\}$ value. Having done so, it shall respond to NCA-a using NIA-s or NIA-m. The symbol NIQ-m may only be declared if MBE-cap is also declared; in this case, the terminal shall also be able to send and receive NIA-m.

A terminal having declared an NIQ in its capset, noted any NIQ in the incoming capset, and now having received NCA-a shall respond as follows:

| <i>Declaration in capset sent</i> | <i>Declaration in capset received</i> | <i>Action</i> |
|-----------------------------------|---------------------------------------|---------------|
| NIQ-s | NIQ-s or NIQ-m or none | message NIA-s |
| NIQ-m | NIQ-s (or NIQ-m but not MBE-cap) | message NIA-s |
| NIQ-m | both NIQ-m and MBE-cap | message NIA-m |

18.2.3 Extension addresses

The SBE code TCS-4 (see Recommendation H.230) may be used to obtain a desired extension address (for example when dialling from ISDN into a LAN environment) in the form of an IIS string; the detailed procedure is for further study.

Superseded by a more recent version

19 Informative codes

19.1 Recommendation version identification

The SBE code "1997 Recs." (see Recommendation H.230) may be transmitted after the completion of Sequence A (including at least one command following the last cap-mark) to identify the endpoint as conforming to the 1997 revised versions of Recommendations H.221, H.230 and H.242.

19.2 Manufacturer/type identification

The MBE message using the type-identifier <ident> (see Table 2/H.230) may be transmitted after the completion of Sequence A (including at least one command following the last cap-mark) to identify the manufacturer and other desired details. The format of this message is identical to that of "non-ITU capabilities" as exemplified in Appendix III, but the <ident> message shall not be included in a capability set and does not imply any non-standard capabilities.

Appendix I

Initialization: Case of videophone to Recommendation H.320, type Xb

This videophone is equipped with G.711, G.722 and G.728 audio codecs and capable of operating at 2×64 kbit/s. Underlined letters in the comments column correspond to points in the associated Figure I.1.

Successive sub-multiframes at terminal "X" only

| Transmitted | | | | | Received | | | | | |
|--------------------------|-----------|-------|------------|------------|--------------------------------------|-----------|-------|------------|------------|--------------------------------------|
| FAS, A-bit | BAS Attr. | Value | Audio mode | Video rate | FAS, A-bit | BAS Attr. | Value | Audio mode | Video rate | Comments |
| xx | xx | xx | xx | xx | xx | xx | xx | xx | xx | |
| F,1 | (111) | [24] | 0 | (off) | xx | xx | xx | xx | xx | <u>A</u> cap-mark |
| F,1 | (100) | [5] | 0 | (off) | xx | xx | xx | xx | xx | Audio BAS-cap 1 |
| F,1 | (100) | [4] | 0 | (off) | xx | xx | xx | xx | xx | Audio BAS-cap 2 |
| F,1 | (101) | [20] | 0 | (off) | xx | xx | xx | xx | xx | Video Capability-H.261-QCIF |
| F,1 | (101) | [24] | 0 | (off) | xx | xx | xx | xx | xx | MPI 3/29.97 |
| F,1 | (100) | [17] | 0 | (off) | xx | xx | xx | xx | xx | Transfer rate capability 2B |
| F,1 | (111) | [24] | 0 | (off) | xx | xx | xx | xx | xx | Repeat capability set |
| F,1 | (100) | [5] | 0 | (off) | xx | xx | xx | xx | xx | |
| (Continue to cycle caps) | | | | | (Searching for frame alignment) | | | | | About one transit? |
| F,1 | (101) | [24] | 0 | (off) | xx | xx | xx | xx | xx | |
| F,1 | (100) | [17] | 0 | (off) | F,1 | [111] | [24] | 0 | (off) | <u>B</u> incoming capability set |
| F,1 | (111) | [24] | 0 | (off) | F,1 | (100) | [5] | 0 | (off) | ... |
| F,1 | (100) | [5] | 0 | (off) | F,1 | (100) | [4] | 0 | (off) | ... |
| F,1 | (100) | [4] | 0 | (off) | F,1 | (101) | [20] | 0 | (off) | ... |
| F,1 | (101) | [20] | 0 | (off) | F,1 | (101) | [24] | 0 | (off) | ... |
| F,1 | (101) | [24] | 0 | (off) | F,1 | (100) | [17] | 0 | (off) | ... |
| F,1 | (100) | [17] | 0 | (off) | F,1 | (111) | [24] | 0 | (off) | Capability set complete up to 320 ms |
| | | | | | (Searching for multiframe alignment) | | | | | |

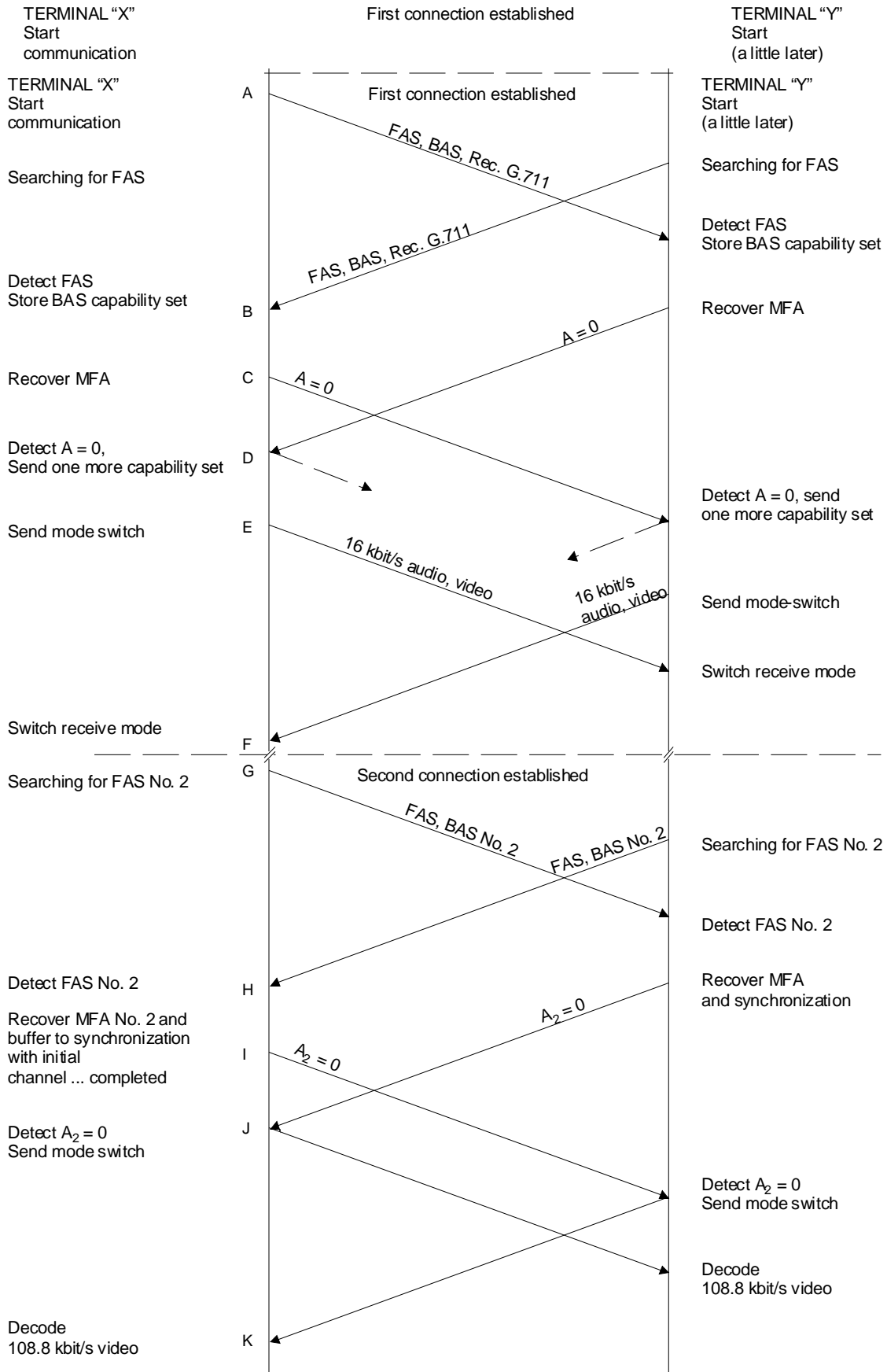
Superseded by a more recent version

Successive sub-multiframes at terminal "X" only (concluded)

| Transmitted | | | | | Received | | | | | | |
|--|-----------|-------|------------|------------|------------|-----------|-------|------------|------------|---|--|
| FAS, A-bit | BAS Attr. | Value | Audio mode | Video rate | FAS, A-bit | BAS Attr. | Value | Audio mode | Video rate | Comments | |
| xx | xx | xx | xx | xx | xx | xx | xx | xx | xx | | |
| F,0 | (101) | [24] | 0 | (off) | F,1 | (100) | [17] | 0 | (off) | <u>C</u> MFA achieved, A = 0 | |
| F,0 | (100) | [17] | 0 | (off) | F,1 | (111) | [24] | 0 | (off) | | |
| (Waiting for incoming A = 0) | | | | | | | | | | | |
| F,0 | (100) | [17] | 0 | (off) | F,1 | (111) | [24] | 0 | (off) | <u>D</u> incoming A = 0 | |
| F,0 | (111) | [24] | 0 | (off) | F,0 | (100) | [5] | 0 | (off) | | |
| F,0 | (100) | [5] | 0 | (off) | F,0 | (100) | [4] | 0 | (off) | | |
| F,0 | (100) | [4] | 0 | (off) | F,0 | (101) | [20] | 0 | (off) | | |
| F,0 | (101) | [20] | 0 | (off) | F,0 | (101) | [24] | 0 | (off) | | |
| F,0 | (101) | [24] | 0 | (off) | F,0 | (100) | [17] | 0 | (off) | | |
| F,0 | (100) | [17] | 0 | (off) | F,0 | (111) | [24] | 0 | (off) | | |
| F,0 | (111) | [24] | 0 | (off) | F,0 | (100) | [5] | 0 | (off) | | |
| F,0 | (000) | [29] | 0 | (off) | F,0 | (100) | [4] | 0 | (off) | | |
| F,0 | (010) | [1] | 7 | (off) | F,0 | (101) | [20] | 0 | (off) | | |
| F,0 | (000) | [29] | 7 | 46.4 | F,0 | (101) | [24] | 0 | (off) | Capability set complete | |
| F,0 | (010) | [1] | 7 | 46.4 | F,0 | (100) | [17] | 0 | (off) | <u>E</u> start mode switch | |
| F,0 | (000) | [29] | 7 | 46.4 | F,0 | (111) | [24] | 0 | (off) | (Note) | |
| F,0 | (010) | [1] | 7 | 46.4 | F,0 | (100) | [5] | 0 | (off) | | |
| (Waiting for incoming mode changes) | | | | | | | | | | | |
| F,0 | (010) | [1] | 7 | 46.4 | F,0 | (101) | [24] | 0 | (off) | <u>F</u> incoming switch 16 kbit/s audio video ON repeat valid commands in force | |
| F,0 | (000) | [29] | 7 | 46.4 | F,0 | (000) | [29] | 0 | (off) | | |
| F,0 | (010) | [1] | 7 | 46.4 | F,0 | (010) | [1] | 7 | (off) | | |
| F,0 | (000) | [29] | 7 | 46.4 | F,0 | (000) | [29] | 7 | 46.4 | | |
| F,0 | (010) | [1] | 7 | 46.4 | F,0 | (010) | [1] | 7 | 46.4 | | |
| F,0 | (000) | [29] | 7 | 46.4 | F,0 | (000) | [29] | 7 | 46.4 | | |
| F,0 | (010) | [1] | 7 | 46.4 | F,0 | (010) | [1] | 7 | 46.4 | | |
| (Now deal with second B-channel, once connection is completed) | | | | | | | | | | | |
| FF,01 | (010) | [1] | 7 | 46.4 | Fx,0x | (000) | [29] | 7 | 46.4 | <u>G</u> | |
| FF,01 | (000) | [29] | 7 | 46.4 | Fx,0x | (010) | [1] | 7 | 46.4 | | |
| (Searching for frame alignment on channel No. 2) | | | | | | | | | | | |
| FF,01 | (010) | [1] | 7 | 46.4 | FF,01 | (000) | [29] | 7 | 46.4 | <u>H</u> alignment recovered | |
| FF,01 | (000) | [29] | 7 | 46.4 | FF,01 | (010) | [1] | 7 | 46.4 | | |
| (Finding multiframe alignment and buffering to synchronize) | | | | | | | | | | | |
| FF,00 | (010) | [1] | 7 | 46.4 | FF,01 | (000) | [29] | 7 | 46.4 | <u>I</u> send A = 0 on channel No. 2 | |
| FF,00 | (000) | [29] | 7 | 46.4 | FF,01 | (010) | [1] | 7 | 46.4 | | |
| (Waiting for incoming A ₂ = 0) | | | | | | | | | | | |
| FF,00 | (010) | [1] | 7 | 46.4 | FF,00 | (000) | [29] | 7 | 46.4 | <u>J</u> incoming A ₂ = 0 start mode switch to expand video (Note) | |
| FF,00 | (001) | [1] | 7 | 46.4 | FF,00 | (010) | [1] | 7 | 46.4 | | |
| FF,00 | (001) | [1] | 7 | 108.8 | FF,00 | (000) | [29] | 7 | 46.4 | | |
| FF,00 | (010) | [1] | 7 | 108.8 | FF,00 | (010) | [1] | 7 | 46.4 | | |
| FF,00 | (000) | [29] | 7 | 108.8 | FF,00 | (000) | [29] | 7 | 46.4 | | |
| FF,00 | (001) | [1] | 7 | 108.8 | FF,00 | (010) | [1] | 7 | 46.4 | | |
| (Continue to cycle BAS commands) | | | | | | | | | | | |
| (Waiting for incoming mode changes) | | | | | | | | | | | |
| FF,00 | (010) | [1] | 7 | 108.8 | FF,00 | (001) | [1] | 7 | 46.4 | <u>K</u> incoming mode switch | |
| FF,00 | (000) | [29] | 7 | 108.8 | FF,00 | (001) | [1] | 7 | 108.8 | | |
| (Initialization completed) | | | | | | | | | | | |

NOTE – The modes selected for switching are governed by terminal procedures which in general depend on the application; in the present case of videophone service, the procedure is specified in Recommendation H.320.

Superseded by a more recent version



T1523300-96/d12

Figure I.1/H.242

Superseded by a more recent version

Appendix II

Mode-0 forcing: Case of videophone to Recommendation H.320, type Xb

This videophone is equipped with G.711, G.722 and G.728 audio codecs and capable to operate at 2×64 kbit/s. Underlined letters in the comments column correspond to points in the associated Figure II.2.

Successive sub-multiframes at terminal "X" only

| Transmitted | | | | | Received | | | | | |
|---|-----------|-------|------------|------------|--|-----------|-------|------------|------------|--|
| FAS, A-bit | BAS Attr. | Value | Audio mode | Video rate | FAS, A-bit | BAS Attr. | Value | Audio mode | Video rate | Comments |
| FF,00 | (010) | [1] | 7 | 107.6 | FF,00 | (000) | [29] | 7 | 107.6 | <u>V</u> ideo is ON (Recommendation H.261) |
| FF,00 | (000) | [29] | 7 | 107.6 | FF,00 | (001) | [1] | 7 | 107.6 | <u>A</u> udio is 16 kbit/s |
| FF,00 | (001) | [1] | 7 | 107.6 | FF,00 | (011) | [2] | 7 | 107.6 | <u>T</u> ransfer rate is 2×64 |
| FF,00 | (011) | [2] | 7 | 107.6 | FF,00 | (010) | [1] | 7 | 107.6 | <u>D</u> ata is ON at 1.2 kbit/s |
| FF,00 | (010) | [1] | 7 | 107.6 | FF,00 | (000) | [29] | 7 | 107.6 | |
| FF,00 | (011) | [0] | 7 | 107.6 | FF,00 | (001) | [1] | 7 | 107.6 | <u>L</u> data to go off |
| FF,00 | (010) | [0] | 7 | 108.8 | FF,00 | (011) | [2] | 7 | 107.6 | <u>V</u> ideo to go off |
| FF,00 | (001) | [0] | 7 | (off) | FF,00 | (010) | [1] | 7 | 107.6 | <u>T</u> ransfer rate 64 kbit/s |
| FF,00 | (000) | [18] | 7 | (off) | FF,00 | (000) | [29] | 7 | 107.6 | <u>A</u> udio A-law, 0F |
| FF,00 | (000) | [18] | 0F | (off) | FF,00 | (001) | [1] | 7 | 107.6 | |
| FF,00 | (010) | [0] | 0F | (off) | FF,00 | (011) | [2] | 7 | 107.6 | |
| FF,00 | (000) | [18] | 0F | (off) | FF,00 | (010) | [1] | 7 | 107.6 | |
| FF,00 | (111) | [24] | 0F | (off) | FF,00 | (000) | [29] | 7 | 107.6 | <u>M</u> capability mark |
| FF,00 | (100) | [16] | 0F | (off) | FF,00 | (001) | [1] | 7 | 107.6 | 64 kbit/s-capability only |
| FF,00 | (100) | [1] | 0F | (off) | FF,00 | (011) | [2] | 7 | 107.6 | A-law capability only |
| FF,00 | (111) | [24] | 0F | (off) | FF,00 | (010) | [1] | 7 | 107.6 | Capability mark |
| (continue to repeat this capset) | | | | | (Awaiting incoming mode change and capability set) | | | | | |
| FF,00 | (100) | [16] | 0F | (off) | FF,00 | (000) | [29] | 7 | 107.6 | <u>N</u> incoming data to go off |
| FF,00 | (100) | [1] | 0F | (off) | FF,00 | (011) | [0] | 7 | 107.6 | <u>I</u> ncoming video to go off |
| FF,00 | (111) | [24] | 0F | (off) | FF,00 | (010) | [0] | 7 | 108.8 | <u>I</u> ncoming channel No. 2 off |
| FF,00 | (010) | [0] | 0F | (off) | FF,00 | (001) | [0] | 7 | (off) | <u>I</u> ncoming audio to be 0F |
| FF,00 | (001) | [0] | 0F | (off) | FF,00 | (000) | [18] | 7 | (off) | |
| FF,00 | (000) | [18] | 0F | (off) | FF,00 | (111) | [24] | 0F | (off) | |
| FF,00 | (011) | [0] | 0F | (off) | FF,00 | (100) | [5] | 0F | (off) | |
| FF,00 | (010) | [0] | 0F | (off) | FF,00 | (100) | [4] | 0F | (off) | |
| FF,00 | (001) | [0] | 0F | (off) | FF,00 | (101) | [20] | 0F | (off) | |
| FF,00 | (000) | [18] | 0F | (off) | FF,00 | (101) | [24] | 0F | (off) | |
| FF,00 | (011) | [0] | 0F | (off) | FF,00 | (100) | [17] | 0F | (off) | |
| FF,00 | (010) | [0] | 0F | (off) | FF,00 | (111) | [24] | 0F | (off) | |
| (Continue to cycle all valid BAS commands in force) | | | | | | | | | | |

The Mode 0 forcing procedure is not complete: subsequent action depends on the terminal procedure, according to the reason for performing the switch to Mode 0.

Superseded by a more recent version

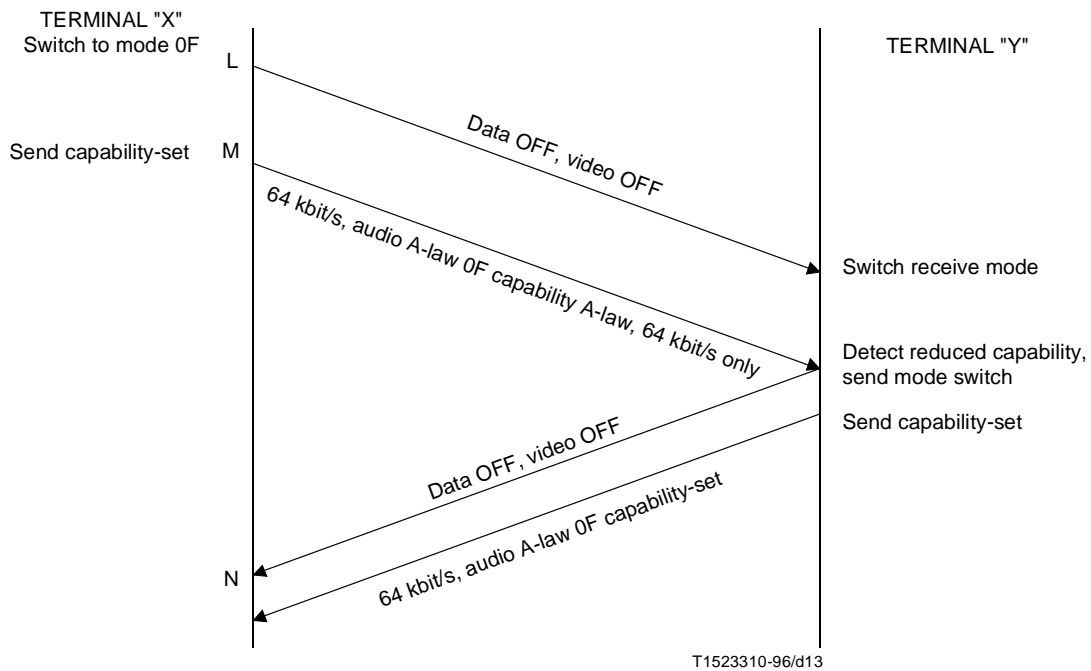


Figure II.2/H.242

Appendix III

Example of use of message structure

Send

Receive

III.1 Initial capability exchange, including MBE-cap

| | |
|------------|--|
| (111) [24] | Capability-mark |
| (100) [4] | Audio type 2 (Recommendation G.722, 56 kbit/s) |
| (100) [17] | 2 × 64 kbit/s transfer rate |
| (101) [21] | H.261-CIF video capability |
| (101) [22] | 1/29.97 MPI for H.261-QCIF |
| (101) [23] | 2/29.97 MPI for H.261-CIF |
| (101) [31] | MBE-capability |
| (111) [16] | Set to escape table for HSD |
| (101) [17] | 64 kbit/s HSD-capability |
| (111) [24] | Capability-mark, repetition of capability set |
| (100) [4] | Audio type 2 (Recommendation G.722, 56 kbit/s) |
| | ... |

Decode incoming BAS capabilities: these include (101) [31], so remote end can handle MBE codes

Superseded by a more recent version

III.2 Subsequent capability exchange, including MBE capability message

| | | |
|--------------|--|---|
| (111) [24] | Capability-mark | |
| (100) [4] | Audio type 2 (Recommendation G.722, 56 kbit/s) | |
| (100) [17] | 2 × 64 kbit/s transfer rate | |
| (101) [21] | H.261-CIF video capability | |
| (101) [22] | 1/29.97 MPI for H.261-QCIF | |
| (101) [23] | 2/29.97 MPI for H.261-CIF | |
| (101) [31] | MBE-capability | |
| (111) [16] | Set to escape table for HSD | |
| (101) [17] | 64 kbit/s HSD-capability | |
| (111) [30] | Start of non-ITU-T capability message | |
| {M} | Information will be M-bytes | |
| {byte 1} | Country code according to Recommendation T.35 | |
| {byte 2} | Country code | |
| {bytes 3, 4} | Manufacturer code (Company XYZ) | |
| {bytes 5-M} | Type identity | |
| Send | | Receive |
| (111) [24] | Capability-mark, repetition of capability set | |
| (100) [4] | Audio type 2 (Recommendation G.722, 56 kbit/s) | |
| | ... | |
| | | Incoming capability cycle now includes the same non-standard mode |

III.3 Mode switch to non-standard mode using MBE command

| | |
|--------------|---|
| (111) [31] | Start of non-ITU-T command message |
| {N} | Information will be N-bytes |
| {byte 1} | Country code according to Recommendation T.35 |
| {byte 2} | Country code |
| {bytes 3, 4} | Manufacturer code (Company XYZ) |
| {bytes 5-N} | Type identity |

The mode switch is effective from the sub-multiframe following that containing byte N.

Appendix IV

Examples of symmetrical and asymmetrical transmission modes

IV.1 Example of symmetrical transmission mode

| | Audio | Video | Transfer rate | LSD | HSD | MLP |
|----------------------------|--------------------|-------|---------------|------------|-----|-----|
| Capabilities of Terminal X | 16 kbit/s | Yes | 1B | 1.2 kbit/s | – | No |
| Capabilities of Terminal Y | Type 2 + 16 kbit/s | Yes | 2B | 1.2 kbit/s | – | Yes |
| Mode in X-to-Y direction | 16 kbit/s | ON | 1B | 1.2 kbit/s | – | OFF |
| Mode in Y-to-X direction | 16 kbit/s | ON | 1B | 1.2 kbit/s | – | OFF |

Superseded by a more recent version

IV.2 Example of asymmetrical transmission mode

| | Audio | Video | Transfer rate | LSD | HSD | MLP |
|----------------------------|-----------|-------|---------------|------------|-----|-----|
| Capabilities of Terminal X | PCM | Yes | 2B | 1.2 kbit/s | No | No |
| Capabilities of Terminal Y | 16 kbit/s | No | 2B | 56 kbit/s | No | No |
| Mode in X-to-Y direction | OFF | OFF | 2B | 56 kbit/s | – | OFF |
| Mode in Y-to-X direction | OFF | ON | 2B | 1.2 kbit/s | – | OFF |

IV.3 Example of unsymmetrical video mode

| | Audio | Video | Transfer rate | LSD | HSD | MLP |
|----------------------------|-------|----------------------|---------------|------------|-----|-----|
| Capabilities of Terminal X | PCM | H.261, H.263, H.262S | 2B | 1.2 kbit/s | No | No |
| Capabilities of Terminal Y | PCM | H.261, H.263, H.262S | 2B | 1.2 kbit/s | No | No |
| Mode in X-to-Y direction | ON | H.262S | 2B | 1.2 kbit/s | – | OFF |
| Mode in Y-to-X direction | ON | H.263 | 2B | 1.2 kbit/s | – | OFF |

NOTE – Even though the video mode is unsymmetrical, in this specific example the audio, video and data rates are symmetrical.

Appendix V

Examples relating to data transmissions

NOTE – For the examples given below:

* These rates are reduced by 800 bit/s when the ECS is active.

"Video-on" may not be practical in these cases.

V.1 Transfer-rate 1B, audio at 48 kbit/s, no video or video off

| MLP | LSD | Forbidden next commands (example) |
|-------|------|---|
| 4k | 1200 | #, LSD = 4.8k/6.4k/14.4k and over, MLP = 6.4k |
| 4k | 8k | Au = 56k, #, LSD = 4.8k/6.4k/14.4k and over |
| 4k | var | #, LSD = 4.8k/6.4k/14.4k and over, MLP = var |
| 6.4*k | 8k | Au = 56k, #, LSD = 300/1200/4.8k/6.4k/9.6k/14.4k and over |
| var | 1200 | #, LSD = 16k and over/var, MLP = 6.4k |
| var | 6.4k | #, LSD = 16k and over/var, MLP = 4k/6.4k |
| var | 9.6k | Au = 56k, #, LSD = 16k and over/var, MLP = 6.4k |

Superseded by a more recent version

V.2 Transfer-rate 1B, audio at 16 kbit/s, no video or video off

| | | |
|-------|------|---|
| MLP | LSD | Forbidden next commands (example) |
| 4k | 300 | LSD = 4.8k/6.4k/14.4k/48k and over, MLP = 6.4k |
| 4k | 8k | Au = 56k, LSD = 4.8k/6.4k/14.4k/48k and over |
| 4k | 16k | Au = 48k/56k, #, LSD = 4.8k/6.4k/14.4k/48k and over |
| 4k | var | #, LSD = 4.8k/6.4k/14.4k/48k and over, MLP = var |
| 6.4*k | 8k | Au = 56k, LSD = 300/1200/4.8k/6.4k/9.6k/14.4k/48k and over |
| 6.4*k | 40k | Au = 48k/56k, #, LSD = 300/1200/4.8k/6.4k/9.6k/14.4k/48k and over |
| var | 4.8k | #, LSD = 48k and over/var, MLP = 4k/6.4k |
| var | 9.6k | Au = 56k, #, LSD = 48k and over/var, MLP = 6.4k |
| var | 16k | Au = 48k/56k, #, LSD = 48k and over/var |

V.3 Transfer-rate 1B, audio at 16 kbit/s, video on

| | | |
|-------|------|--|
| MLP | LSD | Forbidden next commands (example) |
| 4k | 1200 | LSD = 4.8k/6.4k/14.4k/48k and over, MLP = 6.4k |
| 4k | 8k | Au = 56k, LSD = 4.8k/6.4k/14.4k/48k and over |
| 6.4*k | 8k | Au = 56k, LSD = 300/1200/4.8k/6.4k/9.6k/14.4k/48k and over |

V.4 Transfer-rate 2B, audio at 48 kbit/s, video on

| | | |
|-----|------|--|
| MLP | LSD | Forbidden next commands (example) |
| var | 1200 | LSD = 16k and over/var, MLP = 6.4k |
| var | 4.8k | LSD = 16k and over/var, MLP = 4k/6.4k |
| var | 9.6k | Au = 56k, LSD = 16k and over/var, MLP = 6.4k |
| 4k | 8k | Au = 56k, LSD = 4.8k/6.4k/14.4k/16k and over |

V.5 Transfer-rate 2B, audio at 16 kbit/s, video on

| | | |
|-----|----------|--|
| MLP | LSD | Forbidden next commands (example) |
| var | 1200 | LSD = 48k and over/var, MLP = 6.4k |
| var | 4.8k | LSD = 48k and over/var, MLP = 4k/6.4k |
| var | 8k | Au = 56k, LSD = 48k and over/var |
| var | 16k | Au = 48k/56k, LSD = 48k and over/var |
| 4k | 8k | Au = 56k, LSD = 4.8k/6.4k/14.4k/48k and over |
| var | Variable | |

LSD Low-speed data

HSD High-speed data

MLP Multi-layer-protocol

Superseded by a more recent version

Appendix VI

Hierarchical capability BAS codes

The following capability codes are hierarchically structured:

G.711 (A or μ or both) < G.722-64 < G.722-48

G.711 (A or μ or both) < G.728

1B < 2B < 3B < 4B < 5B < 6B

1H₀ < 2H₀ < 3H₀ < 4H₀ < 5H₀

H.261-QCIF < H.261-CIF

4/29.97 < 3/29.97 < 2/29.97 < 1/29.97

The following H.262/H.263 capability codes are hierarchically structured:

H.263_QCIF < H.263_CIF < H.263_4CIF < H.263_16CIF

H.262_SIF < H.262_2SIF < H.262_4SIF

H.262S_SIF < H.262M_SIF

H.262S_2SIF < H.262M_2SIF

H.262S_4SIF < H.262M_4SIF

MPI_30 < MPI_15 < MPI_10 < MPI_6 < MPI_5 < MPI_4 < MPI_3 < MPI_2 < MPI_1

The meaning of these expressions is that in every case a terminal having the capability to the right of a "<" sign shall also have the capability to the left thereof.

The capset shall conform to Table 6, which summarizes the capabilities that can be simultaneously valid, and shall not contain more than one item from any of the following groups:

G.722-64; G.722-48

1B; 2B; 3B; 4B; 5B; 6B

1H₀; 2H₀; 3H₀; 4H₀; 5H₀

H.261-QCIF; H.261-CIF

If H.261-QCIF is included, it shall be followed immediately by one (only one) MPI value; if H.261-CIF is transmitted, it shall be followed by two MPI values. It is permitted to send both A-law and μ -law audio capabilities.

Appendix VII

Interpretation of received audio capability BAS codes

If the following BAS codes are received:

- 1) no audio capability
- 2) G.711-A and G.711- μ
- 3) G.711-A
- 4) G.711- μ

then the local terminal understands that the remote terminal can decode:

- both A-law and μ -law
- both A-law and μ -law
- A-law only
- μ -law only

Superseded by a more recent version

- | | |
|--|--|
| 5) G.722-48 only | G.722 (Modes 1, 2, and 3) and A-law and μ -law |
| 6) G.722-48 and G.711-A and G.711- μ | G.722 (Modes 1, 2, and 3) and A-law and μ -law |
| 7) G.722-48 and G.711-A | G.722 (Modes 1, 2, and 3) and A-law |
| 8) G.722-48 and G.711- μ | G.722 (Modes 1, 2, and 3) and μ -law |

Either of 1) or 2) is allowed and the terminal should be able to correctly interpret both cases. The same is true for the case of 5) or 6).

Appendix VIII

Examples of legal and illegal capability BAS sequences

To be clear about legal and illegal capability BAS sequences, it may be appropriate to quote the following examples (A1, A2 represent audio capabilities):

Allowed:

```
{cap-mark, A1, A2, H.261-QCIF, 2/29.97} cap-mark
{cap-mark, A1, A2, H.261-QCIF, 2/29.97} {repeat} {repeat} ..... {repeat} cap-mark
{cap-mark, A1, A2, H.261-QCIF, 2/29.97} cap-mark;
  command; {cap-mark, A1, A2, H.261-QCIF, 2/29.97, 2B} cap-mark
{cap-mark, neutral} cap-mark
{cap-mark, A1, H.261_CIF, 2/29.97, start-MBE, 3, <H.262/H.263>, H.263_CIF+MPI_2+Options, AC} cap-mark
{cap-mark, A1, H.261_CIF, 2/29.97, start-MBE, 3, <H.262/H.263>, H.263_CIF+MPI_2, H.262_SIF+MPI_2} cap-mark
```

Not allowed:

| | |
|--|--|
| {cap-mark, A1, A2, H.261-QCIF, 2/29.97}; command | (final cap-mark missing) |
| {cap-mark, A1, A2, H.261-QCIF, 2/29.97} {repeat} {repeat}; command | (final cap-mark missing) |
| {cap-mark, A1, A2, A1, H.261-QCIF, 2/29.97} cap-mark | (repeated value) |
| {cap-mark, neutral}; command | (final cap-mark missing) |
| command; neutral; command | (both cap-marks missing) |
| {cap-mark, A1, A2, H.261-QCIF, 2/29.97} | |
| cap-mark {cap-mark A1, A2, H.261-QCIF, 2/29.97, 2B} cap-mark | (changed capset without command between) |
| {cap-mark, A1, A2, H.261-QCIF, 1/29.97, 2/29.97} cap-mark | (two MPI values) |
| {cap-mark, A1, A2, H.261-CIF, 2/29.97} cap-mark | (one MPI value) |
| cap-mark, cap-mark | (no capabilities) |
| command; {A1, A2, H.261-QCIF, 2/29.97}; command | (no cap-marks) |
| {cap-mark, A1, start-MBE, 2, H.262/H.263, H.263_CIF+MPI_2} cap-mark | (no H.261 capabilities) |
| {cap-mark, A1, H.261_QCIF, 2/29.97, start-MBE, 2, H.262/H.263, H.262_SIF+MPI_2} cap-mark | (no H.263 capabilities) |
| {cap-mark, A1, H.261_CIF, 2/29.97, 1/29.97, start-MBE, 3, H.262/H.263, H.262_SIF+MPI_2, H.263_QCIF+MPI_2} cap-mark | (no H.263_CIF capability when H.262_SIF capability is present. Additionally H.262 capability is given before H.263. See 5.2.2) |
| {cap-mark, A1, H.261_CIF, 2/29.97, 1/29.97, start_MBE, 3, H.262/H.263, H.263_CIF+MPI_4, H.262_SIF+MPI_2} cap-mark | (H.263 CIF MPI is larger than H.262 SIF MPI) |

Superseded by a more recent version

Appendix IX

BAS control and indication codes

| BAS C&I | Code (Note 1) | Notes | Command name (Note 2) | Comments |
|---------|---------------|-------------------|------------------------------------|---|
| AIM | (000) [2] | r | Audio Indicate Muted | No audio or tone generated |
| AIA | (000) [3] | r | Audio Indicate Active | Complementary to AIM |
| CCA | (010) [4] | n | Chair Command Acquire | Request T _{CC} |
| CCD | (010) [1] | n, E _S | Chair Command Disconnect | Drop terminal SBE-num |
| CCK | (010) [3] | n | Chair Command Kill | Drop all terminals from the conference |
| CCR | (010) [6] | n | Chair Command Release/Refuse | Withdraw T _{CC} |
| CIR | (010) [2] | n | Chair Indicate Release/Refuse | Used by MCU to refuse CCD |
| CIS | (010) [7] | n | Chair Indicate Stopped-using-token | Chair frees T _{CC} |
| CIT | (010) [5] | r | Chair Indicate Token | Assign T _{CC} |
| DCA-H | (010) [24] | n, E _S | Data Command Acquire HSD | Request HSD token with rate from Table 3/H.243 |
| DCC-H | (010) [28] | n | Data Command Close | Free T _H and close channel |
| DCR-H | (010) [26] | n | Data Command Release/Refuse | Withdraw/refuse assignment of T _H |
| DCR-H | (010) [26] | n | Data Command Release | Sent by chair to cause withdrawal of T _H |
| DIS-H | (010) [27] | n | Data Indicate Stopped-using-token | Free T _H |
| DIT-H | (010) [25] | r | Data Indicate Token | Give T _H |
| DCA-L | (010) [16] | n, E _S | Data Command Acquire LSD | Request LSD token with rate from Table 3/H.243 |
| DCC-L | (010) [20] | n | Data Command Close | Free T _L and close channel |
| DCR-L | (010) [18] | n | Data Command Release/Refuse LSD | Withdraw/refuse assignment of T _L |
| DCR-L | (010) [18] | n | Data Command Release | Sent by chair to cause withdrawal of T _L |
| DIS-L | (010) [19] | n | Data Indicate Stopped-using-token | Free T _L |

Superseded by a more recent version

(continued)

| BAS C&I | Code (Note 1) | Notes | Command name (Note 2) | Comments |
|------------|---------------|-------------------|---|---|
| DIT-L | (010) [17] | r | Data Indicate Token | Give T _L |
| IIS | 0000 0011 | n, E _M | Information Indicate String | Sent in response to TCS-n |
| LCA | (010) [18] | FFS | Loopback Command Audio | Audio loop request |
| LCD | (010) [20] | FFS, n | Loopback Command Digital | Digital loop request |
| LCO | (010) [21] | r | Loopback Command Off | Disconnect all loopbacks |
| LCV | (010) [19] | FFS | Loopback Command Video | Video loop request |
| MCC | (001) [0] | r | Multipoint Command Conference | Terminal must slave to MCU |
| cancel-MCC | (001) [1] | r | Cancel Multipoint Command Conference | Terminal may initiate mode changes, etc. |
| MCN | (001) [21] | r | Multipoint Command Negating | Undo MCS |
| MCS | (001) [20] | r | Multipoint Command Symmetrical | Request Symmetrical-Data-Transmission |
| MCV | (001) [16] | r | Multipoint Command Visualize | Forces broadcast of video terminals |
| cancel-MCV | (001) [17] | r | Cancel Multipoint Command Visualize | Revert to voice activated video switching |
| MIL | (001) [31] | n, E _S | Multipoint Indicate Loop | For loopback detection by MCU |
| MIM | (001) [6] | r | Multipoint Indicate Master | Sent by MCU claiming master role |
| MIS | (001) [4] | r | Multipoint Indication Secondary-status | Terminal is secondary |
| cancel-MIS | (001) [5] | r | Cancel Multipoint Indicate Secondary-status | Term is primary |
| MIV | (001) [18] | r | Multipoint Indicate Visualize | On-air |
| cancel-MIV | (001) [19] | r | Cancel Multipoint Indicate Visualize | Not on-air |
| MIZ | (001) [2] | r | Multipoint Indicate Zero | First/last terminal in conference |
| cancel-MIZ | (001) [3] | r | Cancel Multipoint Indicate Zero | Cancel MIZ indication |
| MMS | (001) [28] | r | Multipoint Mode Symmetry | Request symmetrical audio/video mode |
| cancel-MMS | (001) [29] | r | Cancel Multipoint Mode Symmetry | Revert to asymmetrical audio/video mode |
| RAN | (001) [9] | E _S | Random number | Master/slave contention resolution |

Superseded by a more recent version

(continued)

| BAS C&I | Code (Note 1) | Notes | Command name (Note 2) | Comments |
|------------|---------------|-------------------|--|--|
| TCA | (001) [15] | n | Token Command Association | Request list of token owners |
| TCI | (000) [8] | n | Terminal Command Identify | Request TII+SBE-NUM+TIS information |
| TCP | (011) [4] | n, E _S | Terminal Command Personal-identifier | Request identity string gathered by TCS-2 specified by terminal number |
| TCS-1 | (011) [1] | n | Terminal Command String-One | Request IIS MBE containing password |
| TCS-2 | (011) [2] | n | Terminal Command String-Two | Request IIS MBE containing term ID |
| TCS-3 | (011) [3] | n | Terminal Command String-Three | Request IIS MBE for conference ID |
| TCU | (001) [14] | n | Terminal Command Update | Terminal requests assigned terminal numbers |
| TIA | (001) [11] | r, E _S | Terminal Indicate Assign | Assign terminal number |
| TID | (001) [13] | n, E _S | Terminal Indicate Dropped | Terminal dropped out |
| TIF | (010) [8] | n, E _S | Terminal Indicate Floor | Terminal requests floor from MCU |
| TII | (000) [9] | n, E _S | Terminal Indicate Identity | Precedes each terminal id string SBE |
| TIL | 0000 0010 | n, E _M | Terminal Indicate List | Transmit list of terminal numbers |
| TIN | (001) [12] | n, E _S | Terminal Indicate Number | MCU informs term of assigned terminal number |
| TIP | 0000 0100 | n, E _M | Terminal Indicate Personal-identifier | Response to TCP |
| TIR | 0000 0101 | n, E _M | Token Indicate Response | Response to TCA |
| TIS | (000) [10] | n | Terminal Indicate identity-Stop | End of TII coded terminal id string |
| TIX | (001) [8] | r, E _S | Terminal Indicate additional-channel-X | Associate additional channel with term's TIA |
| VCB | (001) [23] | r, E _S | Video Command Broadcast | Chair forces broadcasting |
| cancel-VCB | (001) [24] | r | cancel Video Command Broadcast | Revert to Voice Activated Switching |
| VCF | (010) [16] | FFS | Video Command Freeze picture request | Freeze video prior to switch |
| VCR | (001) [27] | n | Video Command Reject | Reject terminal command |
| VCS | (001) [25] | r | Video Command Select | Select viewed party |
| cancel-VCS | (001) [26] | r | Cancel Video Command Select | Undo select viewed party, revert to BAS |

Superseded by a more recent version

(concluded)

| BAS C&I | Code (Note 1) | Notes | Command name (Note 2) | Comments |
|---------|---------------|-------|-----------------------------------|---|
| VCU | (010) [17] | n | Video Command fast Update request | Update video after switch |
| VIA | (000) [17] | r | Video Indicate Active | Video Source "One" is active |
| VIA2 | (000) [18] | r | Video Indicate Active | Video Source "Two" is active |
| VIA3 | (000) [19] | r | Video Indicate Active | Video Source "Three" is active |
| VIN | (001) [22] | r | Video Indicate Number | Identifies video source |
| VIR | (000) [31] | r | Video Indicate Ready-to-activate | Will do video if far end does |
| VIS | (000) [16] | r | Video Indicate Suppressed | No video input available. Complementary to VIA |

NOTE 1 – The bit coding for each BAS code is represented as (b0, b1, b2) [d3-7], where d3-7 is the decimal value of b3, b4, b5, b6, b7. For BAS codes using start-MBE, this column specifies the MBE type identification byte.

NOTE 2 – The letters in this column have the following meanings:

r Should be included in repeating command set (see ANSI221, 6.3).

n Not included in repeating command set.

E_S One or more SBE codes follow this BAS code as defined in Recommendation H.230.

E_M Uses start-MBE as defined in Recommendation H.230.

Appendix X

An algorithm to determine whether an incoming bit stream was encoded by μ -law or A-law PCM

This appendix gives information concerning a method to determine the PCM coding law from the observation of the incoming bit streams. It should be used in the absence of other indications regarding the PCM coding law.

X.1 Basic determination algorithm

The following algorithm determines whether an incoming bit stream was encoded by μ -law or A-law PCM. The algorithm comprises two stages:

- i) data accumulation;
- ii) decision.

A decision can be made after data has been accumulated for 10 ms or longer. Decisions can be produced several times with an increasing amount of accumulated data. The period in which data is accumulated is called the test period.

Superseded by a more recent version

Data accumulation

For each incoming sample, observe the combination in bits 2, 3 and 4. (Bit 1 is defined as the most significant bit. Bits 2, 3 and 4 are the segment number, as defined in Recommendation G.711.) Count the number of occurrences of each segment number throughout the test period. That is, obtain 8 numbers corresponding to the numbers of occurrences of each of the possible combinations.

Decision

- 1) Place the counters as illustrated in the μ -law column of Figure X.1. If there is a counter that contains a number greater than zero above a counter that contains zero, then the μ -law hypothesis is "improbable".
- 2) Place the counters as illustrated in the A-law column of Figure X.1 (the arrangement in the figure includes even-bit inversion, specified in Recommendation G.711). If there is a counter that contains a number greater than zero above a counter that contains zero, then the A-law hypothesis is "improbable".
- 3) If only one coding law hypothesis is probable, decide accordingly.
- 4) If neither coding law hypothesis is probable, the test period was too short. Obtain more data, then repeat the decision process.
- 5) If both coding laws are probable, then select a counter to represent each coding law according to the following:
 - If all 8 counters contain numbers greater than 0, then counter 000 represents μ -law, and counter 010 represents A-law.
 - If 4 counters contain numbers greater than 0, then counter 100 represents μ -law, and counter 110 represents A-law.

Compare the numbers in the two representative counters. Decide on the coding law represented by the counter containing the smaller number.

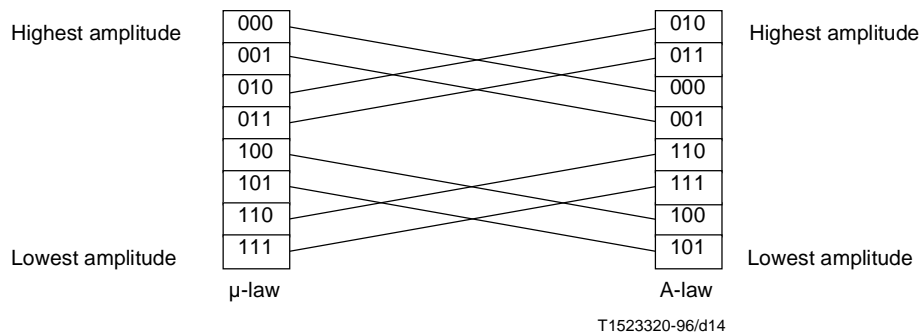


Figure X.1/H.242 – Order of segments according to amplitude, μ -law and A-law PCM

X.2 Possible extensions and refinements

The list below specifies some possible extensions to the algorithm. These extensions may be used to produce a result based on additional data. The exact way one might use this data is beyond the scope of this appendix.

- i) It is possible to obtain separate count for positive and negative samples, i.e. take into consideration bit 1 (sign bit) of the samples.
- ii) It is possible to define a threshold other than zero for consideration of a non-zero counter (i.e consider all counters that contain numbers less than the threshold as if they contained zero). This extension may be useful in preventing spurious bit errors from affecting the decision.

Superseded by a more recent version

- iii) The decision criterion in step 5) of X.1 is less robust than that of step 3). The following enhancements to step 5) may be considered:
- In order to avoid an erroneous decision because of close valued numbers when the step 5) criterion is employed, it is possible to require that the difference between numbers in the two representative counters exceed a certain threshold. Alternatively (taking the above suggestion to the extreme), it is possible not to decide at all according to the step 5) criterion, and to discard the data if both coding laws produce allowed distributions.
 - It is possible to represent each coding law with two counters, rather than one. In case of 8 non-zero counters, counter 001 (for μ -law) is compared against counter 011 (for A-law), in addition to the comparison given in the algorithm. In case of 4 non-zero counters, counter 101 (for μ -law) is compared against counter 111 (for A-law), in addition to the comparison given in the algorithm. It is also possible to use the sum of the two representative counters of each coding law in a comparison.

Superseded by a more recent version

ITU-T RECOMMENDATIONS SERIES

| | |
|-----------------|--|
| Series A | Organization of the work of the ITU-T |
| Series B | Means of expression: definitions, symbols, classification |
| Series C | General telecommunication statistics |
| Series D | General tariff principles |
| Series E | Overall network operation, telephone service, service operation and human factors |
| Series F | Non-telephone telecommunication services |
| Series G | Transmission systems and media, digital systems and networks |
| Series H | Audiovisual and multimedia systems |
| Series I | Integrated services digital network |
| Series J | Transmission of television, sound programme and other multimedia signals |
| Series K | Protection against interference |
| Series L | Construction, installation and protection of cables and other elements of outside plant |
| Series M | TMN and network maintenance: international transmission systems, telephone circuits, telegraphy, facsimile and leased circuits |
| Series N | Maintenance: international sound programme and television transmission circuits |
| Series O | Specifications of measuring equipment |
| Series P | Telephone transmission quality, telephone installations, local line networks |
| Series Q | Switching and signalling |
| Series R | Telegraph transmission |
| Series S | Telegraph services terminal equipment |
| Series T | Terminals for telematic services |
| Series U | Telegraph switching |
| Series V | Data communication over the telephone network |
| Series X | Data networks and open system communication |
| Series Z | Programming languages |