

International Telecommunication Union

ITU-T

TELECOMMUNICATION
STANDARDIZATION SECTOR
OF ITU

G.977

(12/2006)

SERIES G: TRANSMISSION SYSTEMS AND MEDIA,
DIGITAL SYSTEMS AND NETWORKS

Digital sections and digital line system – Optical fibre
submarine cable systems

**Characteristics of optically amplified optical
fibre submarine cable systems**

ITU-T Recommendation G.977



ITU-T G-SERIES RECOMMENDATIONS
TRANSMISSION SYSTEMS AND MEDIA, DIGITAL SYSTEMS AND NETWORKS

INTERNATIONAL TELEPHONE CONNECTIONS AND CIRCUITS	G.100–G.199
GENERAL CHARACTERISTICS COMMON TO ALL ANALOGUE CARRIER-TRANSMISSION SYSTEMS	G.200–G.299
INDIVIDUAL CHARACTERISTICS OF INTERNATIONAL CARRIER TELEPHONE SYSTEMS ON METALLIC LINES	G.300–G.399
GENERAL CHARACTERISTICS OF INTERNATIONAL CARRIER TELEPHONE SYSTEMS ON RADIO-RELAY OR SATELLITE LINKS AND INTERCONNECTION WITH METALLIC LINES	G.400–G.449
COORDINATION OF RADIOTELEPHONY AND LINE TELEPHONY	G.450–G.499
TRANSMISSION MEDIA AND OPTICAL SYSTEMS CHARACTERISTICS	G.600–G.699
DIGITAL TERMINAL EQUIPMENTS	G.700–G.799
DIGITAL NETWORKS	G.800–G.899
DIGITAL SECTIONS AND DIGITAL LINE SYSTEM	G.900–G.999
General	G.900–G.909
Parameters for optical fibre cable systems	G.910–G.919
Digital sections at hierarchical bit rates based on a bit rate of 2048 kbit/s	G.920–G.929
Digital line transmission systems on cable at non-hierarchical bit rates	G.930–G.939
Digital line systems provided by FDM transmission bearers	G.940–G.949
Digital line systems	G.950–G.959
Digital section and digital transmission systems for customer access to ISDN	G.960–G.969
Optical fibre submarine cable systems	G.970–G.979
Optical line systems for local and access networks	G.980–G.989
Access networks	G.990–G.999
QUALITY OF SERVICE AND PERFORMANCE – GENERIC AND USER-RELATED ASPECTS	G.1000–G.1999
TRANSMISSION MEDIA CHARACTERISTICS	G.6000–G.6999
DATA OVER TRANSPORT – GENERIC ASPECTS	G.7000–G.7999
PACKET OVER TRANSPORT ASPECTS	G.8000–G.8999
ACCESS NETWORKS	G.9000–G.9999

For further details, please refer to the list of ITU-T Recommendations.

ITU-T Recommendation G.977

Characteristics of optically amplified optical fibre submarine cable systems

Summary

ITU-T Recommendation G.977 is concerned with the system performance and interface requirements of repeatered optical submarine systems using OFAs as a line repeater. It covers the aspects related to single wavelength systems (SWS), wavelength division multiplexing systems (WDMS) and dense wavelength division multiplexing systems (DWDMS). The physical implementation of optically amplified fibre submarine systems is considered in Annex A.

Source

ITU-T Recommendation G.977 was approved on 14 December 2006 by ITU-T Study Group 15 (2005-2008) under the ITU-T Recommendation A.8 procedure.

FOREWORD

The International Telecommunication Union (ITU) is the United Nations specialized agency in the field of telecommunications. The ITU Telecommunication Standardization Sector (ITU-T) is a permanent organ of ITU. ITU-T is responsible for studying technical, operating and tariff questions and issuing Recommendations on them with a view to standardizing telecommunications on a worldwide basis.

The World Telecommunication Standardization Assembly (WTSA), which meets every four years, establishes the topics for study by the ITU-T study groups which, in turn, produce Recommendations on these topics.

The approval of ITU-T Recommendations is covered by the procedure laid down in WTSA Resolution 1.

In some areas of information technology which fall within ITU-T's purview, the necessary standards are prepared on a collaborative basis with ISO and IEC.

NOTE

In this Recommendation, the expression "Administration" is used for conciseness to indicate both a telecommunication administration and a recognized operating agency.

Compliance with this Recommendation is voluntary. However, the Recommendation may contain certain mandatory provisions (to ensure e.g. interoperability or applicability) and compliance with the Recommendation is achieved when all of these mandatory provisions are met. The words "shall" or some other obligatory language such as "must" and the negative equivalents are used to express requirements. The use of such words does not suggest that compliance with the Recommendation is required of any party.

INTELLECTUAL PROPERTY RIGHTS

ITU draws attention to the possibility that the practice or implementation of this Recommendation may involve the use of a claimed Intellectual Property Right. ITU takes no position concerning the evidence, validity or applicability of claimed Intellectual Property Rights, whether asserted by ITU members or others outside of the Recommendation development process.

As of the date of approval of this Recommendation, ITU had received notice of intellectual property, protected by patents, which may be required to implement this Recommendation. However, implementers are cautioned that this may not represent the latest information and are therefore strongly urged to consult the TSB patent database at <http://www.itu.int/ITU-T/ipr/>.

© ITU 2007

All rights reserved. No part of this publication may be reproduced, by any means whatsoever, without the prior written permission of ITU.

CONTENTS

	Page
1	Scope 1
2	References..... 1
3	Definitions 3
3.1	Terms defined elsewhere 3
3.2	Terms defined in this Recommendation..... 3
4	Abbreviations and acronyms 7
5	Characteristics and performances of the system..... 9
5.1	Characteristics and performance of the digital line sections (DLS)..... 9
5.2	Optical power budget 10
5.3	System reliability performance..... 12
5.4	System capacity upgradeability 12
6	Characteristics and performance of the TTE..... 13
6.1	General 13
6.2	Transmission performance 14
6.3	Actions consequent to an alarm..... 14
6.4	Automatic switching..... 14
7	Characteristics and performance of the optical submarine repeaters (OSR)..... 14
7.1	Mechanical characteristics..... 14
7.2	Electrical characteristics 15
7.3	Optical characteristics 15
7.4	Supervisory facilities 16
7.5	Fault location 16
7.6	Reliability 17
8	Characteristics and performance of the in-line branching unit (BU) 18
8.1	General 18
8.2	Mechanical characteristics..... 18
8.3	Electrical characteristics 19
8.4	Optical characteristics 19
8.5	Supervisory facilities 19
8.6	Fault location 19
8.7	Reliability 20
9	Characteristics and performance of the optical submarine equalizer (OSE)..... 20
9.1	Mechanical characteristics..... 20
9.2	Electrical characteristics (for adjustable OSEs only) 21
9.3	Optical characteristics 21
9.4	Supervisory facilities 21
9.5	Reliability 21

	Page
10 Characteristics and performance of the submarine cable	21
10.1 Dispersion mapping	21
10.2 Dispersion management implementation	22
Annex A – Implementation of repeatered optical fibre submarine cable systems using optical fibre amplifiers.....	23
A.1 Introduction	23
A.2 System configuration.....	23
A.3 System performance	26
A.4 System operation	28
A.5 Optical submarine repeater (OSR), branching unit (BU) and optical submarine equalizer (OSE) characteristics.....	29
Bibliography.....	30

ITU-T Recommendation G.977

Characteristics of optically amplified optical fibre submarine cable systems

1 Scope

This Recommendation is concerned with the system performances and interface requirements of repeatered optical fibre submarine cable systems using OFAs as line repeaters. It covers the aspects related to single wavelength systems (SWS), wavelength division multiplexing systems (WDMS) and dense wavelength division multiplexing systems (DWDMS). Depending on the system specifications, such as the number of terminations, the connectivity, the total capacity, the maximum end-to-end distance, and/or the system cost, one of these three types of system may be more appropriate to guarantee the system requirements. A high data capacity may be carried by one wavelength using a high data bit rate, or by several wavelengths using a smaller one.

From a general point of view, the characteristics, performance specifications and requirements of the submerged equipment are mostly identical for SWS, WDMS and DWDMS. Indeed, SWS appears as a specific case of WDMS using one wavelength and, in turn, WDM can be considered as a specific case of DWDMS with a small number of wavelengths. As a consequence, general statements mentioned in this Recommendation can be applied to SWS, WDMS and DWDMS. However, when necessary, more detailed Recommendations will highlight the specificity of these three types of systems.

Common implementation aspects of optical submarine cable systems for manufacturing, installing and maintenance are described in [ITU-T G.971]. [ITU-T G.978] also contains common aspects of the characteristics of the optical fibre submarine cables.

The physical implementation of optically amplified fibre submarine systems is considered in Annex A.

2 References

The following ITU-T Recommendations and other references contain provisions which, through reference in this text, constitute provisions of this Recommendation. At the time of publication, the editions indicated were valid. All Recommendations and other references are subject to revision; users of this Recommendation are therefore encouraged to investigate the possibility of applying the most recent edition of the Recommendations and other references listed below. A list of the currently valid ITU-T Recommendations is regularly published. The reference to a document within this Recommendation does not give it, as a stand-alone document, the status of a Recommendation.

- [ITU-T G.661] ITU-T Recommendation G.661 (2006), *Definition and test methods for the relevant generic parameters of optical amplifier devices and subsystems.*
- [ITU-T G.662] ITU-T Recommendation G.662 (2005), *Generic characteristics of optical amplifier devices and subsystems.*
- [ITU-T G.664] ITU-T Recommendation G.664 (2006), *Optical safety procedures and requirements for optical transport systems.*
- [ITU-T G.692] ITU-T Recommendation G.692 (1998), *Optical interfaces for multichannel systems with optical amplifiers.*
- [ITU-T G.701] ITU-T Recommendation G.701 (1993), *Vocabulary of digital transmission and multiplexing, and pulse code modulation (PCM) terms.*
- [ITU-T G.702] ITU-T Recommendation G.702 (1988), *Digital hierarchy bit rates.*

- [ITU-T G.703] ITU-T Recommendation G.703 (2001), *Physical/electrical characteristics of hierarchical digital interfaces.*
- [ITU-T G.707] ITU-T Recommendation G.707/Y.1322 (2007), *Network node interface for the synchronous digital hierarchy (SDH).*
- [ITU-T G.708] ITU-T Recommendation G.708 (1999), *Sub STM-0 network node interface for the synchronous digital hierarchy (SDH).*
- [ITU-T G.783] ITU-T Recommendation G.783 (2006), *Characteristics of synchronous digital hierarchy (SDH) equipment functional blocks.*
- [ITU-T G.821] ITU-T Recommendation G.821 (2002), *Error performance of an international digital connection operating at a bit rate below the primary rate and forming part of an Integrated Services Digital Network.*
- [ITU-T G.823] ITU-T Recommendation G.823 (2000), *The control of jitter and wander within digital networks which are based on the 2048 kbit/s hierarchy.*
- [ITU-T G.825] ITU-T Recommendation G.825 (2000), *The control of jitter and wander within digital networks which are based on the synchronous digital hierarchy (SDH).*
- [ITU-T G.826] ITU-T Recommendation G.826 (2002), *End-to-end error performance parameters and objectives for international, constant bit-rate digital paths and connections.*
- [ITU-T G.828] ITU-T Recommendation G.828 (2000), *Error performance parameters and objectives for international, constant bit-rate synchronous digital paths.*
- [ITU-T G.921] ITU-T Recommendation G.921 (1988), *Digital sections based on the 2048 kbit/s hierarchy.*
- [ITU-T G.955] ITU-T Recommendation G.955 (1996), *Digital line systems based on the 1544 kbit/s and the 2048 kbit/s hierarchy on optical fibre cables.*
- [ITU-T G.957] ITU-T Recommendation G.957 (2006), *Optical interfaces for equipments and systems relating to the synchronous digital hierarchy.*
- [ITU-T G.971] ITU-T Recommendation G.971 (2004), *General features of optical fibre submarine cable systems.*
- [ITU-T G.972] ITU-T Recommendation G.972 (2004), *Definition of terms relevant to optical fibre submarine cable systems.*
- [ITU-T G.975] ITU-T Recommendation G.975 (2000), *Forward error correction for submarine systems.*
- [ITU-T G.975.1] ITU-T Recommendation G.975.1 (2004), *Forward error correction for high bit rate DWDM submarine systems.*
- [ITU-T G.976] ITU-T Recommendation G.976 (2004), *Tests methods applicable to optical fibre submarine cable systems.*
- [ITU-T G.978] ITU-T Recommendation G.978 (2006), *Characteristics of optical fibre submarine cables.*
- [IEC 60825-1] IEC 60825-1 (2007), *Safety of laser products – Part 1: Equipment classification and requirements.*
- [IEC 60825-2] IEC 60825-2 (2007), *Safety of laser products – Part 2: Safety of optical fibre communication systems (OFCS).*

3 Definitions

3.1 Terms defined elsewhere

This Recommendation uses the following terms defined elsewhere:

- 3.1.1 **compression factor**: see [ITU-T G.976].
- 3.1.2 **digital line section (DLS)**: see [ITU-T G.701].
- 3.1.3 **forward error correction (FEC)**: see [ITU-T G.972], [ITU-T G.975] and [ITU-T G.975.1].
- 3.1.4 **gain flatness**: see [ITU-T G.976].
- 3.1.5 **maximum power channel difference**: see [ITU-T G.692].
- 3.1.6 **multiplex section overhead (MSOH)**: see [ITU-T G.783].
- 3.1.7 **noise figure**: see [ITU-T G.661].
- 3.1.8 **nominal gain**: see [ITU-T G.976].
- 3.1.9 **nominal signal input power**: see [ITU-T G.976].
- 3.1.10 **nominal signal output power**: see [ITU-T G.976].
- 3.1.11 **optical fibre amplifier (OFA)**: see [ITU-T G.661].
- 3.1.12 **polarization-dependent gain**: see [ITU-T G.661].
- 3.1.13 **polarization-dependent loss**: see [ITU-T G.661].
- 3.1.14 **polarization hole burning**: see [ITU-T G.661].
- 3.1.15 **polarization mode dispersion**: see [ITU-T G.661].
- 3.1.16 **S, R reference points**: see [ITU-T G.955].
- 3.1.17 **S', R' reference points**: see [ITU-T G.661] and [ITU-T G.662].
- 3.1.18 **small signal gain**: see [ITU-T G.661].
- 3.1.19 **synchronous digital hierarchy (SDH)**: see [ITU-T G.708].
- 3.1.20 **synchronous transport module (STM)**: see [ITU-T G.708].

3.2 Terms defined in this Recommendation

This Recommendation defines the following terms. Figures 1, 2, 3 and 4, which illustrate these definitions, describe terminal equipment for WDMs and DWDMs. In case of a SWS, the optical multiplexer/demultiplexer interface should be removed so that only one wavelength should be concerned as shown in Figures 3 and 4.

- 3.2.1 **branching unit (BU)**: A piece of optical submarine equipment inserted into the submarine portion of an optical fibre submarine cable network where the electrical and optical interconnection of three cable sections is necessary.
- 3.2.2 **dense wavelength division multiplexing (DWDM)**: An aggregate of a large number of LOCs to be carried through part or the whole of the submarine line on the same line fibre.
- 3.2.3 **dense wavelength division multiplexing system (DWDMS)**: A bidirectional optical system carried on a large number of LOCs.
- 3.2.4 **full fibre drop BU (FFD-BU)**: A BU where the optical interconnection between the three submarine cables is made by physically connecting fibre pairs between any two cables.

- 3.2.5 gain equalizer:** Gain equalizer is the means used to adapt the submerged plant gain profile characteristics suitable for transmission.
- 3.2.6 intermediate terrestrial interface (ITI):** It is to be noted that the TTE can be composed of two distinct pieces of equipment interfaced together, the first piece called submarine cable transmission terminal equipment (SCTTE), on the submarine cable side, and the second piece, called terrestrial network transmission terminal equipment (TNTTE), on the terrestrial network side. In this case, an intermediate interface is required which links the two pieces of equipment. This interface is composed of bidirectional data interfaces and, where applicable, of an extra link used to exchange information between the two pieces of TTE equipment.
- 3.2.7 line optical channel (LOC):** A bidirectional optical data channel carried on a specific optical frequency/wavelength for each transmission direction.
- 3.2.8 LOC-TTE:** A TTE whose SCOI is composed of only one LOC.
- 3.2.9 N-WDM:** A WDM or DWDM of N LOCs (N being an integer).
- 3.2.10 optical submarine equalizer (OSE):** Optical submarine equalizer is the submerged equipment used to compensate for, or to handle, the accumulative gain ripple and tilt along a SDLS in order to be compliant with the pre-emphasis capability of the TTE at the transmitter side, and with the corresponding impairment allocated in the power budget table.
- 3.2.11 shunt fault:** A shunt fault is a current leakage path between the power conductor and the sea water without a break in the power conductor.
- 3.2.12 single wavelength system (SWS):** A bidirectional optical system carried on only one LOC.
- 3.2.13 slope equalizer:** Slope equalizer is the means used for WDMS to provide the equalization of the residual gain/wavelength slope which accumulates when the signal is transmitted through a chain of submerged repeaters.
- 3.2.14 submarine cable optical interface (SCOI):** The bidirectional optical interface between the submarine cable (including the terrestrial cable section) and the TTE. This signal is composed of a LOC or a WDM.
- 3.2.15 submarine cable transmission terminal equipment (SCTTE):** See definition on intermediate terrestrial interface.
- 3.2.16 submarine digital line section (SDLS):** A bidirectional continuous optical path along which one LOC links two TTEs at the SEOI level.
- 3.2.17 submarine electro-optic interface (SEOI):** The bidirectional interface inside the TTE where an electro-optic conversion and an electrical regeneration are performed between a LOC and an electrical channel.
- 3.2.18 terminal transmission equipment (TTE):** The equipment included into the terrestrial portion of an optical fibre submarine cable system for terminal transmission multiplexing and demultiplexing operations, coding and converting the incoming tributaries into optical line signal, converting and decoding the received optical line signal in the outgoing tributaries, ensuring submarine protection switching, submarine plant supervision and performing cable optical termination.
- 3.2.19 terrestrial interface (TI):** The interface between the submarine system and the terrestrial network.
- 3.2.20 terrestrial network transmission terminal equipment (TNTTE):** See definition on intermediate terrestrial interface.

3.2.21 tilt equalizer: Tilt equalizer is the means used for WDMS to provide the equalization of the residual gain/wavelength tilt which accumulates when the signal is transmitted through a chain of submerged repeaters.

3.2.22 umbilic: The extra link used at ITI to exchange information between the two pieces of TTE, which are the SCTTE and the TNTTE.

3.2.23 wavelength demultiplexer (WD): The equipment required to split a WDM into several LOCs and/or WDM to be carried on different fibres.

3.2.24 wavelength division multiplexing (WDM): An aggregate of several LOCs to be carried through part or the whole of the submarine line on the same line fibre.

3.2.25 wavelength division multiplexing system (WDMS): A bidirectional optical system carried on several LOCs.

3.2.26 wavelength multiplexer (WM): The equipment required to combine several LOCs and/or WDM coming from different fibres into a common WDM composed of all the combined LOCs.

3.2.27 WDM-BU: A BU where the optical interconnection between the three submarine cables is made through WM and WD, that is, adding and dropping one or more LOCs out of the N-WDM.

3.2.28 WDM-TTE: A TTE equipped with WM and WD, whose SCOI is a WDM or DWDM.

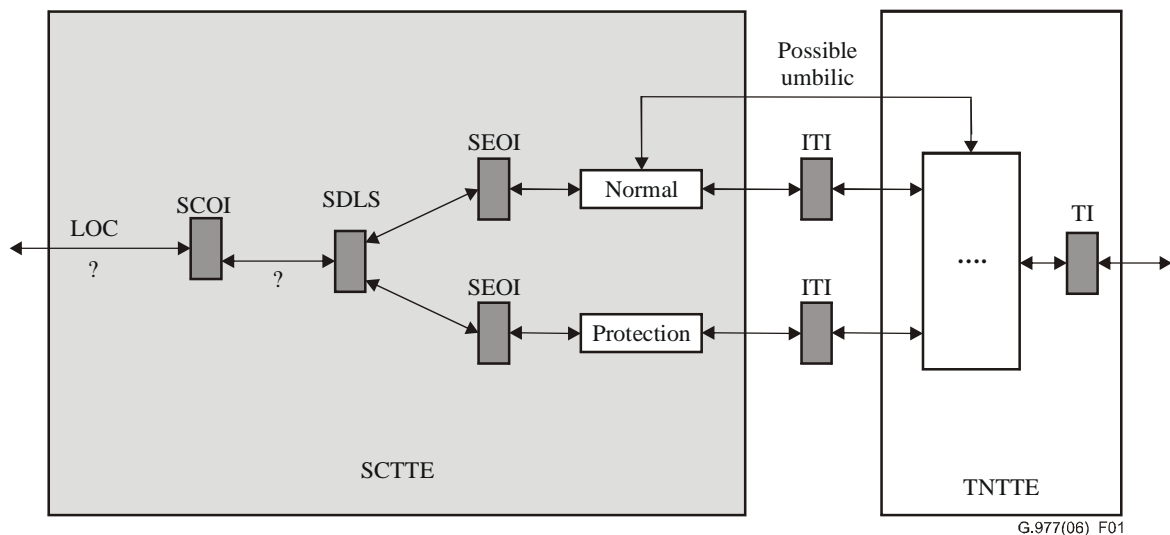


Figure 1 – Terms and definitions for SWS

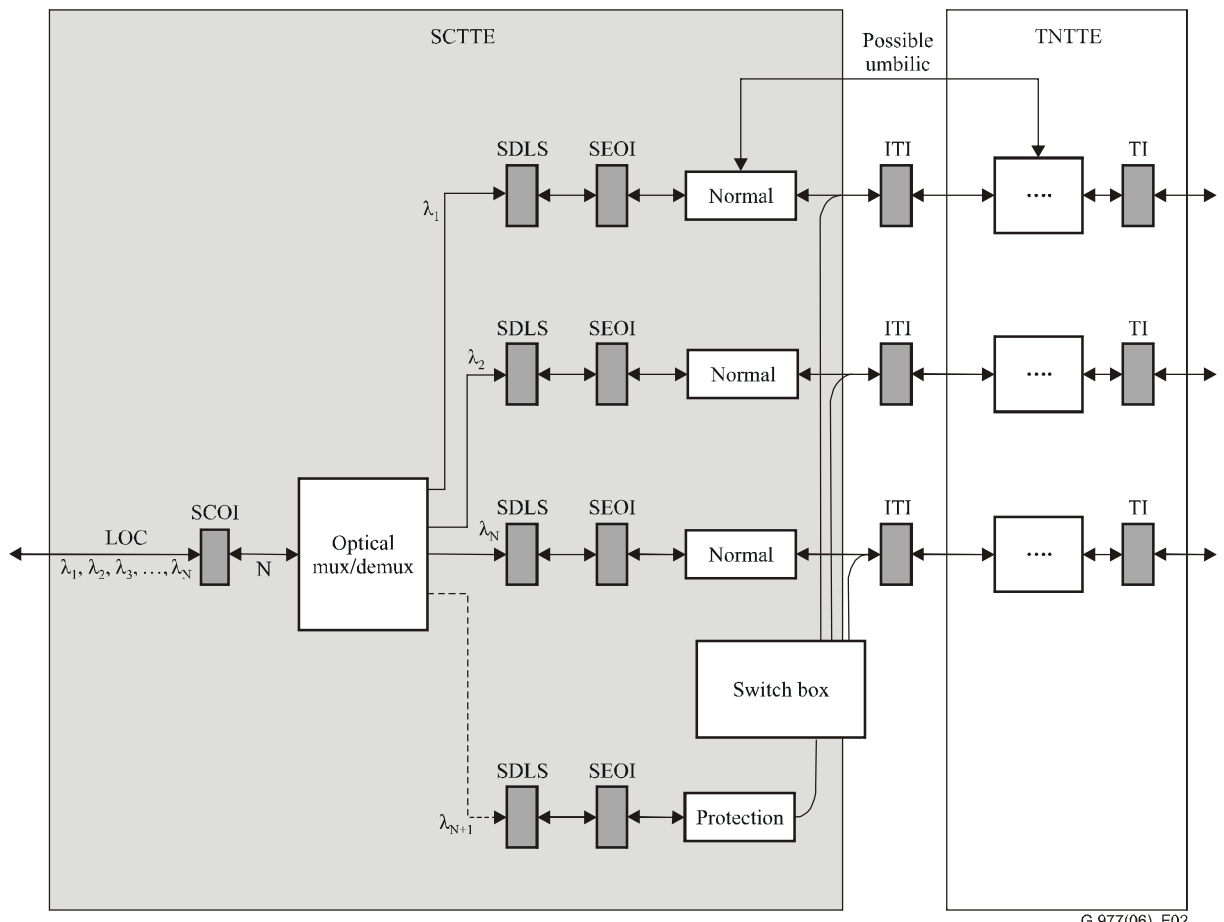


Figure 2 – Terms and definitions for WDMs

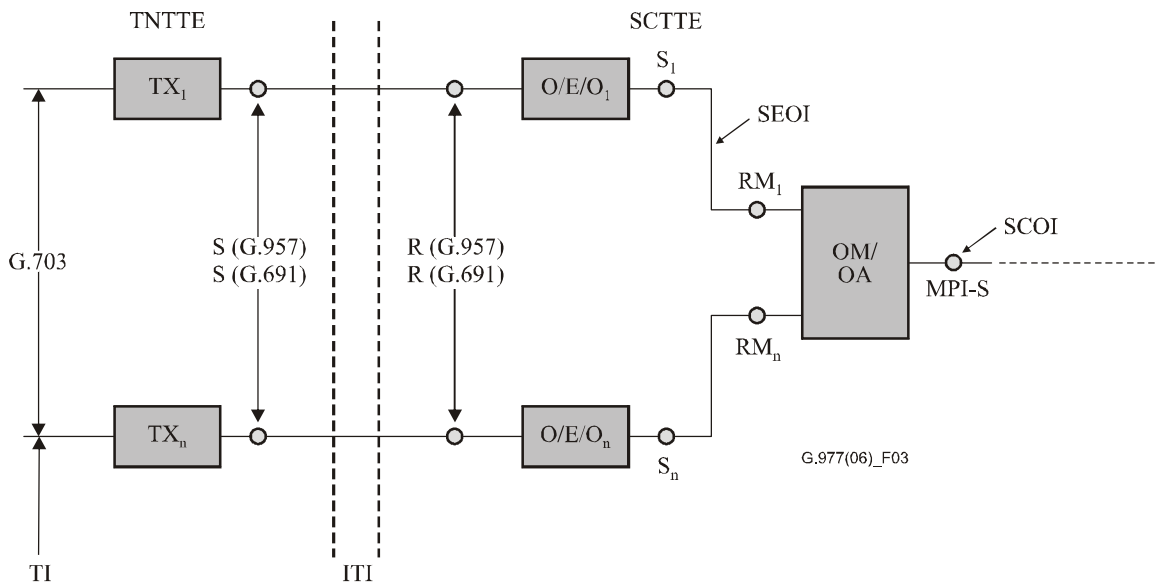


Figure 3 – Transmit side

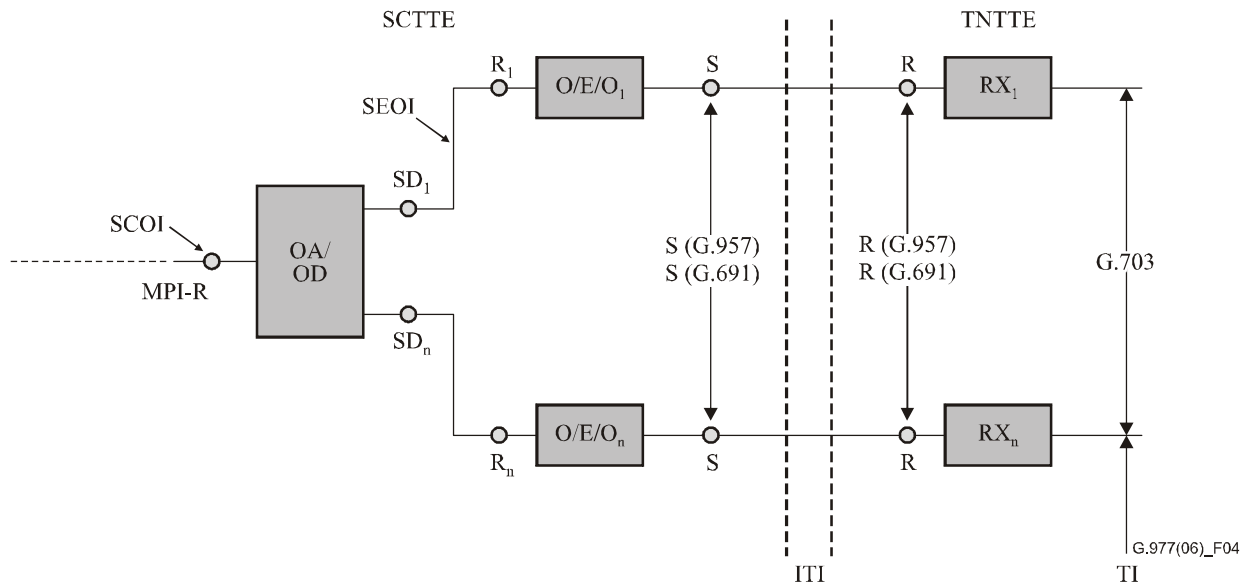


Figure 4 – Receive side

4 Abbreviations and acronyms

This Recommendation uses the following abbreviations and acronyms:

APC	Automatic Power Control
APR	Automatic Power Reduction
BER	Bit Error Ratio
BOL	Beginning Of Life
BU	Branching Unit
CF	Compression Factor
COTDR	Coherent Optical Time Domain Reflectometry
CRZ	Chirped Return to Zero
CS-RZ	Carrier Suppressed Return to Zero
CS-RZ-DPSK	Carrier Suppressed Return to Zero Differential Phase Shift Keying
CTE	Cable Terminating Equipment
DLS	Digital Line Section
DPSK	Differential Phase Shift Keying
DWDM	Dense Wavelength Division Multiplexing
DWDMS	Dense Wavelength Division Multiplexing System
EDF	Erbium Doped Fibre
EOL	End Of Life
FFD-BU	Full Fibre Drop-Branching Unit
FWM	Four-Wave Mixing
GF	Gain Flatness
ITI	Intermediate Terrestrial Interface

LOC	Line Optical Channel
LOC-TTE	Line Optical Channel-Terminal Transmission Equipment
MPI	Main Path Interface
MPI-R	Receive Main Path Interface Reference Point
MPI-S	Source Main Path Interface Reference Point
MSOH	Multiplex Section OverHead
NF	Noise Figure
NG	Nominal Gain
NRZ	Non Return to Zero
NRZ-DPSK	Non Return to Zero Differential Phase Shift Keying
NSIP	Nominal Signal Input Power
NSOP	Nominal Signal Output Power
N-WDM	N-Wavelength Division Multiplex
OFA	Optical Fibre Amplifier
OSE	Optical Submarine Equalizer
OSR	Optical Submarine Repeater
OTDR	Optical Time Domain Reflectometry
PDG	Polarization-Dependent Gain
PDH	Plesiochronous Digital Hierarchy
PDL	Polarization-Dependent Loss
PFE	Power Feeding Equipment
PHB	Polarization Hole Burning
PMD	Polarization Mode Dispersion
RZ	Return to Zero
RZ-DPSK	Return to Zero Differential Phase Shift Keying
SCOI	Submarine Cable Output Interface
SCTTE	Submarine Cable Transmission Terminal Equipment
SDH	Synchronous Digital Hierarchy
SDLS	Submarine Digital Line Section
SEOI	Submarine Electro-Optic Interface
SSG	Small Signal Gain
STM	Synchronous Transport Module
SWS	Single Wavelength System
TI	Terrestrial Interface
TNTTE	Terrestrial Network Transmission Terminal Equipment
TSE	Terminal Station Equipment
TTE	Terminal Transmission Equipment

VSF	Vestigial Side Band
WD	Wavelength Demultiplexing
WDM	Wavelength Division Multiplexing
WDMS	Wavelength Division Multiplexing System
WDM-BU	Wavelength Division Multiplex-Branching Unit
WDM-TTE	Wavelength Division Multiplex-Terminal Transmission Equipment
WM	Wavelength Multiplexing

5 Characteristics and performances of the system

5.1 Characteristics and performance of the digital line sections (DLS)

The digital line sections provided by the system should be in accordance with the relevant ITU-T Recommendations.

5.1.1 Characteristics of the digital signals at ITI and TI

For TI, the digital signals should comply, as applicable, with [ITU-T G.702], [ITU-T G.703], [ITU-T G.707] and [ITU-T G.957].

At ITI, it is recommended that the digital signals be compliant with the physical parameters described in [ITU-T G.957].

Several interfaces with different bit rates may co-exist for one single optical fibre submarine cable system.

5.1.2 Overall error performance at TI

The error performances of an optical fibre submarine cable system should conform to the relevant ITU-T Recommendations for the system's designed lifetime:

- for PDH interfaces: [ITU-T G.821] for systems designed prior to December 2002 and [ITU-T G.826] for later systems; and
- for SDH interfaces: [ITU-T G.826] for systems designed prior to March 2000 and [ITU-T G.828] for later systems.

For PDH systems, the relevant parameters are severely errored seconds and errored seconds. They are derived from [ITU-T G.821] and [ITU-T G.826] in conjunction with the performances at the 64 kbit/s on a per km basis. Information on the mapping of system performances at the 64 kbit/s level is given in Annex D of [ITU-T G.821].

For SDH systems, the relevant parameters are severely errored seconds and errored seconds. They are derived from [ITU-T G.826] and [ITU-T G.828].

5.1.3 System availability at TI

For PDH interfaces:

- the unavailable time definition is derived from Annex A of [ITU-T G.821] and Annex A of [ITU-T G.826];
- as per Annex A of [ITU-T G.821] and Annex A of [ITU-T G.826], a period of unavailable time begins when the bit error ratio (BER) in each second is worse than 1×10^{-3} for a period of ten consecutive seconds. These ten seconds are considered to be unavailable time. The period of unavailable time terminates when the BER in each second is better than 1×10^{-3} for a period of ten consecutive seconds. These ten seconds are to be considered available time.

For SDH interfaces:

- the unavailable time definition is derived from [ITU-T G.826] (for system designed prior to March 2000) and [ITU-T G.828] (for systems designed after March 2000).

The system availability obviously depends on the availability at the various TI. It is recommended that system unavailability in any period be defined as the time cumulation of all unavailability of any TI in this period (several TI unavailabilities occurring in the same time-frame should not be cumulated).

The unavailability specification applies to unavailable time caused by system component failure, and includes, for example, any switching action, terminal faults and supervisory and maintenance operation leading to interruptions of ten seconds or longer. It does not include faults caused by external factors such as trawlers, anchoring, TTE power feeding or any period during which the system is de-powered for repair. Similarly, faults requiring ship intervention are not included in the unavailable time calculation.

5.1.4 Jitter performance at ITI and TI

The jitter performances of an optical fibre submarine cable system should follow [ITU-T G.823] and [ITU-T G.825] and other relevant Recommendations at ITI and TI interfaces for the system's designed lifetime.

5.1.5 Performance allocation between portions of the system

The end-to-end performance for a given digital line section (DLS) is obtained by multiplying the specified per km allocation by the DLS length. When it is necessary to allocate performance degradation to various portions in the DLS, an amount corresponding to a fixed length (to be determined) is allocated to each station terminal equipment, and the submarine portion is allocated, on a per km basis, an amount equal to the difference between the DLS specification and the terminal allocation.

5.1.6 DLS independence

It is recommended that any failure, maintenance operation, supervisory operation, etc., on any DLS should have no impact on the specified performances of any other DLS in the system. In particular:

- a) *for WDMS and DWDMS*
 - 1) any failure of up to half the LOCs inside a WDM should have no effect on any of the remaining LOCs of the WDM;
- b) *for SWS, WDMS and DWDMS*
 - 1) any failure on one fibre pair should have no effect on the other fibre pairs in the system;
 - 2) any failure on any tributary at any level of multiplexing or demultiplexing (optical or electrical) in the system should have no effect on the remaining parts of the system.

The short-term effects of transients should normally be considered tolerable, in their unlikely event.

5.2 Optical power budget

Optical power budget tables should describe how the system performance will be met as regards the error performance.

In submarine systems with in-line optical amplifiers, regeneration occurs only in the TTE at the SEOI level. In between, the channels will suffer impairments due, for example, to optical noise accumulation, propagation (fibre non-linearities, chromatic dispersion, etc.). It is, therefore, recommended that an optical power budget be established at the SDLS level. As some systems may accommodate several SDLS with different impairments, it is further recommended that an optical power budget be established for each of those SDLS.

A further consideration is that, in some cases (WDM networks with WDM-BU, for example), the two directions may suffer different impairments: in this case, different power budgets can be established for each direction of the concerned SDLS, and the one with the largest impairments should be considered as the SDLS power budget.

Additionally, in case the design of a multi-landing points system has been optimized for the longest SDLS in terms of optical signal-to-noise degradation and repeater spacing, extra margins may be available on the shorter ones. Those extra margins, usually called unallocated supplier margins, should be clearly reported in the power budget tables.

For each SDLS, it is recommended that two distinct power budgets be established for the beginning of life (BOL) and the end of life (EOL):

- The BOL power budget is representative of the SDLS performances when the system is put into service and is used as a benchmark for test results at this time. It is recommended that this power budget includes a guaranteed margin ensuring compliance with EOL conditions.
- The EOL is representative of the system performances at the end of the design life and should include the impairments due to component ageing and failure, cable ageing and specified repair margins.

The supplier should provide sufficient information in order to support the validity of the power budget tables, in particular, but not limited to:

- a) the nominal repeater output power value;
- b) the nominal noise figure value; and
- c) the optical and electrical bandwidth values at the receiver side, used to calculate the power budget.

A detailed description of a typical power budget is given in [b-ITU-T G-Sup.41].

The supplier should also clarify if any device located either at the transmitter/receiver end side, such as polarization scramblers and/or dummy channels, or within the submerged plant, such as gain equalization filters, tilt equalizers and/or slope equalizers, are supposed to improve the transmission performances.

5.2.1 Quality factor (Q factor)

It is recommended that the power budget of each SDLS be based on the use of the Q factor as described in Annex A of [ITU-T G.976] and the impairments shown in terms of Q factor degradation.

The performance of an SDLS should be characterized by the measurement of its Q factor, or by a direct BER measurement that should allow the reconciliation of the contractual Q factor commissioning limits indicated in the power budget.

5.2.2 Relevant parameters for power budget

It is recommended that the power budget takes into account, as a minimum, the impairments resulting from the following effects and considerations:

- Optical noise accumulation.
- Propagation impairments due to the combined effects of chromatic dispersion and non-linear effects (self-phase modulation, cross-phase modulation, four-wave mixing effects between the LOCs, stimulated Raman scattering, etc.).
- Propagation impairments due to optical polarization effects such as polarization mode dispersion (PMD), polarization-dependent loss (PDL), and polarization-dependent gain (PDG). As these impairments fluctuate with time, a distinct provision should be made for performance variations over time.

- Impairments due to the non-flatness of the cumulative gain curve on the whole segment.
- Impairments due to the misadjustment of the wavelength(s) of the SDLS.
- Impairments due to the misadjustment of the relative optical powers of the LOC inside a WDM. This impairment applies to submarine systems using WDM or DWDM. It has to be taken into account each time a WM is performed.
- Impairments due to the supervision and fault location functions.
- Impairments due to the TTE imperfections (related to back-to-back Q factor performances of the TTE).

Cross-phase modulation and four-wave mixing between the LOCs, stimulated Raman scattering, non-flatness of the cumulative gain curve, and misadjustment of the relative optical powers of LOCs, are impairments especially applicable to WDMS and DWDMs as they are due to the propagation of several optical signals on the same fibre.

Specifically for the EOL power budget, the following impairments should be considered:

- Impairments due to repair operations (repair splices, additional loss and change in dispersion map due to extra cable length after repair, etc.).
- Impairments due to cable and component ageing.
- Impairments due to TTE ageing (the decrease of the back-to-back Q factor value of the TTE).
- Impairments due to the foreseen faults of some components, such as pump laser faults.

As regards impairments due to repair operations, the different cable type repair scenarios should be taken into consideration since impairments could be different for cables located in shallow waters, deep waters and the on-land part (from the beach to the terrestrial station).

In addition, the power budget should clearly show the minimum Q factor required to obtain the specified error performances of the system and include margin improvement provided by the use of FEC (if applicable).

5.3 System reliability performance

The reliability of the submarine portion of an optical fibre submarine cable system is generally characterized by:

- The expected number of repairs requiring intervention by a cable ship and due to system component failures during the system's designed lifetime:
the usual requirement for system reliability is less than three failures requiring cable ship intervention during the system's designed lifetime;
- system's designed lifetime: the period of time over which the submarine optical fibre cable system is designed to be operational in conformance with its performance specifications. Usually, a system's designed lifetime is a period of 25 years starting at the provisional acceptance date of the system, i.e., the date following installation when the system is compliant with the performance specifications.

5.4 System capacity upgradeability

Since optical fibre amplifiers (OFAs) have wide gain bandwidth and bit-rate flexibility, it may be advantageous to increase transmission capacity by increasing the signal bit rate and/or the number of transmission channels (WDM or DWDM). Such upgrading can be beneficial because the reuse of long cables, many in-line amplifiers, and power-feed equipment can be achieved cost-effectively over the equipment's long life, typically 25 years.

Bit-rate upgradeability demands that systems be constructed with cables and in-line amplifiers optimized for the higher bit rate, while the lower-bit-rate TTE may be initially used. Even after upgrading, the bit rate of TTE output must comply with SDH specifications to ensure compatibility with standard terrestrial equipment.

Upgradeability through WDM or DWDM also demands that the initially installed cable and in-line amplifiers be applicable to the system with the maximum number of channels expected in the future.

Upgrading by increasing signal bit rate, or by using WDM or DWDM, is very different from many viewpoints of system design, including fibre-amplifier design and control, power budget, signal-to-noise ratio, fibre chromatic dispersion, and fibre non-linearities. It is, therefore, recommended that the systems be designed appropriately considering the possibility of future upgrades.

6 Characteristics and performance of the TTE

6.1 General

The terminal equipment is designed to assemble the tributaries for transmission over the optical fibre submarine cable system and to provide monitoring and maintenance facilities.

6.1.1 Definition of reference points of the relevant signals at the ITI, TI, SEOI and SCOI interfaces

With reference to Figures 3 and 4, the following minimum list of parameters should be specified with regard to the E/O reference interfaces:

- a) The TI and ITI interfaces are in accordance with [ITU-T G.703] and [ITU-T G.957].
- b) The transmit side of SEOI interfaces (points S_1 , S_n at the outputs of O/E/Os) should be specified at least in terms of:
 - 1) spectral characteristics;
 - 2) mean launched power;
 - 3) extinction ratio;
 - 4) channel frequency;
 - 5) channel spacing;
 - 6) channel frequency deviation;
 - 7) modulation format (RZ, NRZ, CRZ, CS-RZ, VSB, NRZ-DPSK, RZ-DPSK, CS-RZ-DPSK...);
 - 8) bit rate;
 - 9) use of phase modulation (if applicable);
 - 10) use of polarization scrambler (and the type, if applicable);
 - 11) pre-dispersion compensation value;
 - 12) post-dispersion compensation value.
- c) The transmit side of SCOI interfaces (point MPI-S) should be specified at least in terms of:
 - 1) maximum channel power difference;
 - 2) channel output power;
 - 3) channel signal-to-noise ratio.
- d) The receive side of SCOI interfaces (point MPI-R) should be specified at least in terms of:
 - 1) channel signal-to-noise ratio (according to bit rate and FEC implementation);

- 2) maximum channel power difference.
- e) The receive side of SEOI interfaces (points R_1 , R_n at the inputs of the O/E/Os) should be specified at least in terms of:
 - 1) receiver sensitivity (if FEC is excluded);
 - 2) receiver overload;
 - 3) receiver wavelength range;
 - 4) optical signal-to-noise ratio.

6.2 Transmission performance

6.2.1 Characteristics of the digital signal at TI

The digital signal at TI should be in accordance with the relevant ITU-T Recommendations.

6.2.2 Characteristics of the signal at SCOI

For further study.

6.2.3 Jitter performance at TI

The jitter performance of the TTE of an optical fibre submarine cable system should be in compliance with [ITU-T G.823], [ITU-T G.825] and other relevant Recommendations throughout the system's designed lifetime.

6.3 Actions consequent to an alarm

The terminal equipment should detect fault conditions and perform consequent actions as detailed in the relevant Recommendations (see, in particular, Table 4 of [ITU-T G.921]). Alarm indications which could be taken into consideration for optical amplifiers utilized in the system should be limited to the critical parameters (e.g., input and output signal optical power, operating conditions of the pump laser such as bias current and temperature). The laser safety aspects should be in accordance with [ITU-T G.664], [IEC 60825-1] and [IEC 60825-2].

6.4 Automatic switching

Where automatic switching is used to meet the overall availability requirement:

- the traffic degradation due to switching should be minimized and compatible with the overall system performance;
- indication should be given of the in-service equipment;
- manual override of the automatic switching should be feasible with a minimal degradation of system performance.

Depending on the TTE architecture, the stand-by equipment is recommended to be kept operating and monitored as per the service equipment.

7 Characteristics and performance of the optical submarine repeaters (OSR)

7.1 Mechanical characteristics

7.1.1 Repeater housing

Repeater housing must be designed to allow operation, laying, recovery, and re-laying of optical repeaters in large depths with no degradation in mechanical, electrical or optical performance. The joint housing must support large load transfer from the submarine cable through a flexible coupling.

7.1.2 The internal unit

Inside the repeater housing, the internal unit can contain several power feed modules and OFA pairs to amplify, in both directions, optical signal from one or several fibre pairs.

7.1.3 Corrosion protection

The external housing of OSR should be designed so as not to suffer from corrosion due to sea water.

7.1.4 Water pressure resistance

The OSR must be designed to support large pressure strengths in deep sea water.

7.1.5 High voltage insulation

High voltage insulation is required between the repeater housing and the internal unit to ensure repeater operations.

7.1.6 Thermal management

Heat generated by the electronic components inside the OSR may be dissipated sufficiently via thermal conduction within the repeater housing.

7.1.7 Repeater housing sealing

The repeater must be provided with protection against water and gas ingress, both directly from the surrounding sea and from axial cable leakage resulting from a cable break close to the repeater.

7.1.8 Ambient atmosphere control

Reliability and good operating of components may require a controlled internal atmosphere regarding relative humidity or any expected gas that may be generated inside the repeater.

7.2 Electrical characteristics

7.2.1 Power modules

OSRs are powered from the terminal end station at a constant current via the electrical conductor on the cable. Power modules feed the OFA pairs to ensure the optical amplification. OSRs may accept both electrical polarities.

7.2.2 Surge protection

OSRs must be protected against power surges which may result from sudden interruption of the high voltage supply on the cable (cable break, shunt fault or PFE short circuit).

7.3 Optical characteristics

7.3.1 OFA design

OFA's use erbium doped fibre (EDF) to achieve amplification of the optical signal. The EDF may be pumped in a co-propagating way and/or in a contra-propagating way by one or several redundant pump lasers. Optical isolators may be included to ensure good characteristics regarding the filtering of optical reflections. Automatic power control (APC) may be used to regulate the output optical power or pump power level.

Supervisory facilities must be provided to remotely monitor the status and performance of the OFAs.

7.3.2 Relevant parameters

[ITU-T G.661] deals with definition and test methods for the relevant generic parameters of OFAs. More specifically, for a long haul SWS, WDMS or DWDMS amplified optical link, it is necessary to take into account the following parameters:

- small signal gain (SSG);
- nominal gain (NG);
- noise figure (NF);
- nominal signal output power (NSOP);
- nominal signal input power (NSIP);
- compression factor (CF).

Moreover, especially for WDMS and DWDMS, it is also necessary to take into account:

- gain flatness (GF).

7.3.3 Polarization effects

The individual optical components of an OFA may be chosen to ensure that its performance is reasonably insensitive to polarization effects such as PDL and PMD, depending on the system requirements. Some other polarization effects such as PDG and PHB are intrinsic effects and can only be avoided or limited by the use of external means such as signal polarization scrambling in the TTE transmitter.

7.4 Supervisory facilities

A supervisory system is required to monitor, from the land station, the status and performance of the OFAs. This supervisory system must be able to operate when the link is in service without disturbing system performance.

7.5 Fault location

A cable-break point is usually located in an out-of-service condition. Generally, an OTDR is employed for this purpose, especially a COTDR is used in long distance OFA system fault location because of its higher sensitivity and higher frequency selectivity.

If optical isolators are used within each OFA, the back-scattered optical pulse, which is indispensable for OTDR measurement, is blocked. One solution for solving this problem is the use of a return path (COTDR path) that should not disturb the in-service traffic as shown in Figures 5, 6 and 7. The transmission penalty induced by the COTDR path should be taken into account in the power budget. By using such a solution, COTDR facilities may be implemented in OFA systems to monitor the fibre span status. Moreover, if COTDR is employed in an in-service condition in the OFA systems via a return path, this method will have the potential to monitor the gain status of each OFA.

Two different ways may be chosen to implement a COTDR path inside a repeater:

- The first consists of connecting both outputs of one amplifier pair through optical couplers (refer to Figure 5).
- The second consists of connecting the output of one optical amplifier (OA) to the input of the OA located in the reverse direction (refer to Figures 6 and 7).

Both solutions allow a bidirectional monitoring.

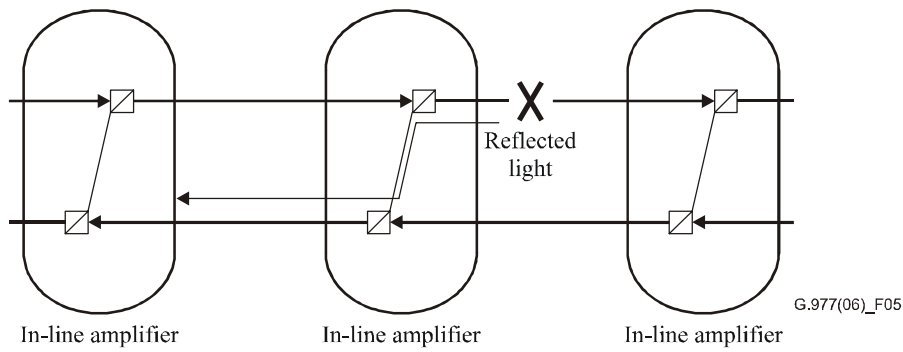


Figure 5 – Example of fault location using COTDR for OFA with output-to-output loopback coupling

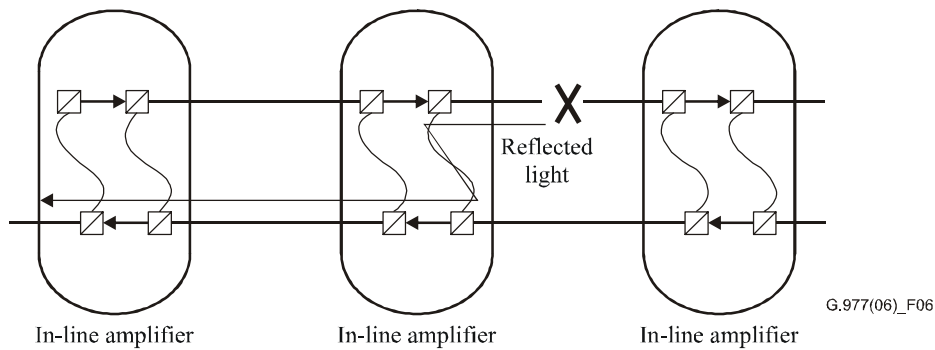


Figure 6 – Example of fault location in the first fibre using COTDR for OFA systems using output-to-input coupler

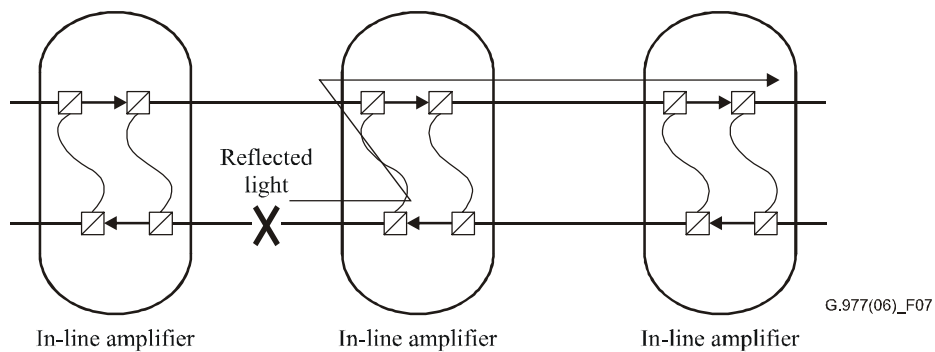


Figure 7 – Example of fault location in the second fibre using COTDR for OFA systems using output-to-input coupler

7.6 Reliability

All of the repeater components must be qualified and life tested to ensure the reliability requirements.

8 Characteristics and performance of the in-line branching unit (BU)

8.1 General

Optical submarine cable systems may use BUs where multiple landing points are required. A BU is designed to terminate three line cables. One of them, the branch termination, permits the extraction of a part of the traffic coming from the two other terminations called the trunk terminations. Different BU designs may exist to answer particular requirements, depending of the specific system configuration.

In that way, a BU may offer:

- i) Full fibre drop functions for SWS.
- ii) Full fibre drop functions and/or WDM add/drop functions for WDMS.

Optical amplification, as well as other facilities, such as the power switching function, supervisory system, automatic gain control, optical filtering and coupling for COTDR, may be provided.

8.2 Mechanical characteristics

8.2.1 BU housing

The BU mechanical housing is terminated by three cable entries and an attached sea earth. It must be designed to allow operation, laying, recovery and re-laying of BU at great depths with no degradation in mechanical, electrical and optical performances. The joint housings must support large load transfer from the submarine cable through a flexible coupling.

Inside the BU housing, the internal unit can contain power switching circuitry and OFAs to amplify optical signals from one or several fibre pairs. It may also contain add/drop modules to ensure the WM and WD functions.

8.2.2 Corrosion protection

Protection must prevent the BU from corrosion due to sea water.

8.2.3 Water pressure resistance

The BU must be designed to support large pressure strengths.

8.2.4 High voltage insulation

High voltage insulation is required between the BU housing and the internal unit to ensure BU operations.

8.2.5 Thermal management

Heat generated by the electronic components inside the BU may be dissipated sufficiently via thermal conduction within the repeater housing.

8.2.6 BU housing sealing

The BU must be provided with a protection against water and gas ingress, both directly from the surrounding sea and from axial cable leakage resulting from a cable break close to the BU.

8.2.7 Ambient atmosphere control

Reliability and good operating of components may require a controlled internal atmosphere regarding relative humidity or any expected gas that may be generated inside the BU.

8.3 Electrical characteristics

8.3.1 Sea electrode

A sea electrode connection will permit the connection of one or several of the three cable terminations to the sea potential.

8.3.2 Power switching

Any two incoming cables with power feed conductors may be connected together and isolated from the BU sea electrode on which the third cable is connected. Different possible configurations may exist to ensure traffic recovery in some cases of PFE failure or cable break.

In case of a faulty segment within a submarine network using BUs, the system, and in particular the BU electrical power switching circuitry, should provide the capability to restore the traffic in all the other segments, either in the presence of this fault, or during the repair operation.

8.3.3 Power modules

A BU is powered from the terminal end station at a constant current via the electrical conductor on the cable. If applicable, power modules feed the OFA pairs to ensure the optical amplification. BUs may accept both electrical polarities.

8.3.4 Surge protection

The BU must be protected against power surges which may result from sudden interruption of the high voltage supply on the cable (cable break or PFE short circuit).

8.4 Optical characteristics

8.4.1 Functionalities

A BU may be a FFD-BU or a WDM-BU or an aggregate of both. In all cases, the BU functionalities may guarantee, as far as possible, the DLS independence to ensure that any failure of a LOC will not disturb the remaining ones. In the case of a WDM-BU, specific optical components may ensure the multiplexer and demultiplexer functions.

8.4.2 Relevant parameters

When a BU contains optical amplifiers, the relevant optical parameters defined for the OSR should be applied. Moreover, the whole characterization of the add/drop modules should be completed.

8.4.3 Polarization effects

The individual optical components of a BU may be chosen to ensure that its performance is reasonably insensitive to polarization effects such as PDL and PMD. Some other polarization effects, such as PDG and PHB, are intrinsic effects to OFAs, possibly contained in the BU, and can only be avoided or limited by the use of external means such as signal polarization scrambling in the TTE transmitter.

8.5 Supervisory facilities

A supervisory system is required to monitor, from the land station, the status and performance of the BU. This supervisory system must be able to operate when the link is in service without disturbing system performances.

8.6 Fault location

Fault location in the systems, including a BU, can generally be performed using COTDR. When a BU offers a full fibre drop function, COTDR can directly locate a fault inside and beyond the BU. When a BU offers WDM add/drop functions, COTDR with a wavelength-tunable source can

monitor a main line and a branched line independently by setting the source wavelength at the transmission wavelength of each line. If an OFA is included in the BU, a return path, as described in clause 7.5, can be applied for fault location beyond the OFA.

8.7 Reliability

All the BU components must be qualified and life-tested to ensure the reliability requirement.

9 Characteristics and performance of the optical submarine equalizer (OSE)

WDM and DWDM optical submarine cable systems may use optical submarine equalizers (OSEs) into the system digital line section (SDLS) to reach the performance requirements for all channels. The equalization module's design is specific to each submarine cable system. It mainly depends on the SDLS characteristics and the sea temperature.

Two distinct types of OSE may exist:

- a) Gain shape equalizer.
- b) Tilt or slope equalizer.

Adjustable equalizations, as well as other facilities such as the power monitoring function and supervisory system, may be also provided.

9.1 Mechanical characteristics

9.1.1 Submarine gain equalizer housing

OSE housing must be designed to allow operation, laying, recovery, and re-laying in large depths with no degradation in mechanical, electrical and optical performance.

9.1.2 The internal unit

Inside the OSE housing, the internal unit can contain several equalization modules dedicated to the optical signal from one or several fibre pairs related to each direction.

9.1.3 Corrosion protection

The external housing of OSE should be designed so as not to suffer from corrosion due to sea water.

9.1.4 Water pressure resistance

The OSE must be designed to support large pressure strengths in deep sea water.

9.1.5 High voltage insulation

High voltage insulation is required between the OSE housing and the internal unit to ensure OSE operations.

9.1.6 Thermal management

Heat generated by the electronic components inside the OSE (particularly in the case of an adjustable equalizer) may be dissipated sufficiently via thermal conduction within the OSE housing.

9.1.7 OSE housing sealing

The OSE must be provided with a protection against water and gas ingress, both directly from the surrounding sea and from axial cable leakage resulting from a cable break close to the OSE.

9.1.8 Ambient atmosphere control

Reliability and good operating of components may require a controlled internal atmosphere regarding relative humidity or any expected gas that may be generated inside the OSE.

9.2 Electrical characteristics (for adjustable OSEs only)

9.2.1 Power modules

Adjustable OSEs are powered from the terminal end station at a constant current via the electrical conductor on the cable. Power modules feed the adjustable equalization modules to obtain the optical gain profile required. OSE may accept both electrical polarities.

9.2.2 Surge protection

Adjustable OSEs must be protected against power surges which may result from sudden interruption of the high voltage supply on the cable (cable break, shunt fault or PFE short circuit).

9.3 Optical characteristics

9.3.1 Functionalities

Each equalization module realizes an optical filtering function on the WDM spectrum to provide the equalization of the residual gain/wavelength ripple and/or tilt which accumulates when the optical signal is transmitted through a chain of optical submarine repeaters. Adjustable functionalities may be added to adjust the response of the filtering function of the equalization module. In that case, supervisory facilities must be provided to remotely monitor the status of such adjustable OSEs.

9.3.2 Relevant parameters

The optical specification of the submarine equalization modules should be completed by further studies.

9.3.3 Polarization effects

The individual optical components of an OSE may be chosen to ensure that its performance is reasonably insensitive to polarization effects such as PDL and PMD.

9.4 Supervisory facilities

A supervisory system is required to monitor, from the land station, the status of adjustable OSEs. This supervisory system must be able to operate when the link is in service without impacting the system performances.

9.5 Reliability

All of the OSE components must be qualified and life tested to guaranty the reliability requirements.

10 Characteristics and performance of the submarine cable

The recommended characteristics and performance of the submarine cable are given in [ITU-T G.978].

10.1 Dispersion mapping

The dispersion map is the principal tool for describing the chromatic dispersion characteristics of a system. Cumulative dispersion is defined as the dispersion measured between the output of the terminal transmitter and any other point in the optical path. The dispersion map is the plot of local chromatic dispersion, for a given operating wavelength, as a function of distance from the optical transmitter to the optical receiver. The dispersion map will depend mainly on the type of system (SWS, WDMS or DWDMS).

For a SWS, typically the fibres with low negative chromatic dispersion close to zero but not zero are used along the link corresponding to main sections, and the fibres with higher positive chromatic dispersion are used for the link corresponding to a few sections of dispersion compensation. The aim of this management is to keep a cumulative dispersion close to zero for the whole link, while keeping local chromatic dispersion at non-zero.

For a WDMS, fibres with low negative chromatic dispersion but far from zero (around -2 ps/nm.km) are typically used for most sections (sometimes two types of fibre can be used; at the beginning of the section with a large effective area fibre and at the end with low slope fibre), while fibres with higher positive chromatic dispersion are regularly used for dispersion compensation sections. The aim of this management is to keep close to zero the cumulative dispersion of the whole link while keeping local chromatic dispersion higher and non-zero, to limit the four-wave mixing and cross-phase modulation.

For a DWDMS at 10 Gbit/s, fibres with large chromatic dispersion are typically used along the link for all the sections. One portion of the section is typically positive dispersion with positive slope (normally with a very large effective area) and the remaining portion is negative dispersion with negative slope (normally a very small effective area). The aim of this management is to keep close to zero the cumulative dispersion in each section for all the wavelengths, while keeping local chromatic dispersion very high to limit the cross-phase modulation.

10.2 Dispersion management implementation

The design of the dispersion map for each optical section must be in accordance with the transmission requirements (limitation of non-linear effects, pulse broadening, etc.).

Residual cumulative dispersion for each wavelength may be compensated to zero by using a length of equalization fibre or other passive dispersion compensation devices at the transmit (pre-compensation) and/or receive (post-compensation) side in TTE. Typically, the compensation is made at the receive end only for a SWS, and at the transmit and receive ends for a WDMS and DWDMS.

The system design should take into consideration all causes of variation from the planned dispersion map, both random and systematic, including, but not limited to:

- uncertainty in the measurements of zero dispersion wavelength, dispersion, and dispersion slope of constituent single mode fibres and EDF, etc.;
- uncertainty in temperature, pressure, and strain coefficients of these fibres in the cable and pressure vessels;
- uncertainty of the exact temperature and strain of these fibres during dispersion measurements;
- uncertainty of the temperature of the installed fibre;
- uncertainty resulting from reordering and "random" selection of portions of fibre sets in the assembly of elementary cable sections;
- ageing; and
- repair operations.

Annex A

Implementation of repeatered optical fibre submarine cable systems using optical fibre amplifiers

(This annex forms an integral part of this Recommendation)

A.1 Introduction

This annex outlines various aspects of submarine cable system practice as commonly employed on optical amplifier systems. It covers SWS, WDMS and DWDMS implementation.

The information provided in this annex is intended as a guide to current practice and is not intended as a recommendation relating to existing or future systems.

A.2 System configuration

A.2.1 Constituents of repeatered optical fibre submarine cable systems

The purpose of an optical fibre submarine cable system is to establish transmission links between two or more terminal stations. Where only two terminal stations are connected by the cable system, then it may be termed an optical fibre submarine cable link. In the other case, it may be termed an optical fibre submarine cable network.

Figure A.1 shows the basic concept of optical fibre submarine cable systems and boundaries. Optical submarine repeaters and/or optical submarine branching units and/or optical submarine equalizers could be included depending on each system's requirements.

In Figure A.1, A denotes the system interfaces at the terminal station (where the system can be interfaced to terrestrial digital links or to other submarine cable systems), and B denotes beach joints or landing points. Letters, in brackets, in the following clauses refer to Figure A.1.

An optical fibre submarine cable system consists of:

- a land portion, between the system interface in the terminal station (A) and the beach joint or landing point (B), which includes the optical fibre land cable, land joints, and the system terminal equipment;
- a submarine portion on the sea bed, between the beach joints or landing points (B), which includes the optical fibre submarine cable and, where necessary, submarine equipment, i.e., optical submarine repeater(s), branching unit(s), optical submarine equalizer(s) and cable jointing box(es).

The cable contains one or more optical fibre pairs (an optical fibre pair is used to establish transmission in both directions).

The optical fibre submarine cable is protected where appropriate; there are several different types of cable characterized by their mechanical structure, such as lightweight cable, lightweight protected cable, light-armoured cable, single-armoured cable, double-armoured cable, and rock-armoured cable.

The optical fibre land cable also requires protection. In particular, the optical fibre land cable carries the OSR and BU power feeding current and, in these conditions, a high potential difference may exist between the cable conductor and the ground, so that personnel protection is necessary.

The optical submarine repeaters include optical amplifiers which are designed to accept an incoming optical signal constrained within certain limits and to amplify it so that the optical output signal is constrained within certain limits. The repeaters also include units to provide supervisory, protection and power feeding functions. These circuits constitute the repeater electronic unit and are contained within the watertight and pressure-resistant repeater housing.

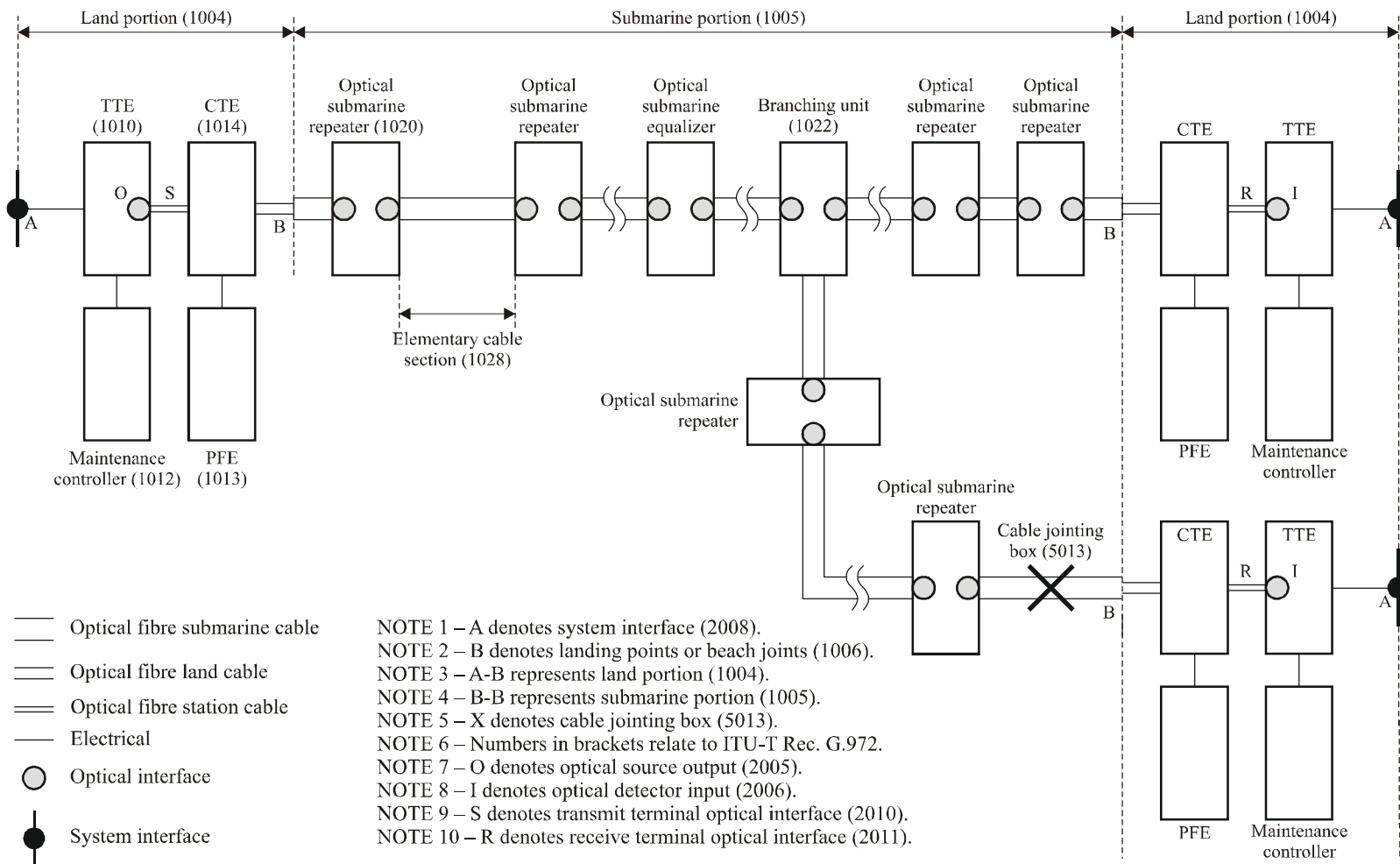


Figure A.1 – Example of repeatered optical fibre submarine cable system

An optical submarine branching unit (BU) is inserted into the submarine portion of an optical fibre submarine cable network where it is necessary to interconnect more than two cable sections. According to the network requirement, this equipment may include some or all of the following sub-assemblies: direct fibre connection, a fibre switching unit, optical amplifier for each fibre, and a power feeding path switching unit. Moreover, the BU can provide WDMS with signal interchange functionality between optical signal paths: it is then termed a WDM-BU.

An optical submarine equalizer (OSE) may be inserted into the submarine portion of an optical submarine cable to mitigate the cumulated gain inhomogeneity when the pre-emphasis capability of the TTE at the transmitter side is not sufficient to guaranty the performance requirements for all WDM channels. This equipment may include different schemes of equalization units according to the shape of the input WDM signal spectrum: shape equalizer for spectral ripple correction and/or tilt (or slope) equalizer for tilt compensation. Adjustable equalizations as well as other facilities such as power monitoring functions and supervisory systems may be also provided.

A.2.2 Transmission configuration

The transmission configuration characterizes the flow of information between the terminal stations across the optical fibre submarine cable system.

The line frame and the line bit rate result from the multiplexing and coding operations performed by the TTE, taking into account the inclusion of the service and supervisory channels. The line code is chosen so as to optimally meet the system requirements.

An optical fibre cable section may contain a number of optical fibre pairs, and an optical fibre pair may support a number of digital line sections. The number of digital line sections carried by an optical fibre cable section is given by the product of these two numbers.

The digital line sections supported by the same optical fibre pair follow the fibre pair across the repeaters and the branching units. They may be separated between different fibre pairs when crossing an undersea branching multiplexer.

A.2.3 Supervision and remote maintenance of the system

A supervisory and maintenance controller located in the terminal, in association with the repeater (or BU) supervisory unit, normally provides for fault localization, repeater performance monitoring and remote controlled redundancy switching.

The supervisory facilities commonly include one or more of the following:

- provision, on an in-service basis, of sufficient information to enable preventive maintenance, particularly if switchable redundancy is provided;
- provision for further out-of-service fault location or system monitoring through loopback remotely controlled from appropriate terminals;
- indication of approaching failure of the in-service equipment, so that preventive action may be undertaken or planned; and
- the means to locate hard faults and intermittent faults, of duration and frequency, that cause the system to fail, to ensure the performance requirement is met.

Other means, such as COTDR, if OSRs and BUs are loopback equipped, and electrical measurement using equipment installed in the terminal stations or on board the cable ship, may permit the accuracy of fault localization to be increased.

Supervision of the system may be facilitated by computerized equipment located at one or both ends.

A.2.4 System integration

A submarine optical fibre cable link or network may be constructed using two or more submarine optical fibre systems (i.e., sets of equipment including cable, repeater, terminal equipment, BU, optical submarine equalizer, etc.) designed independently by different suppliers.

To integrate the submarine optical fibre network, it is necessary to ensure the compatibility of these designs. This is the purpose of the integration specification.

A.3 System performance

A.3.1 Power budget

The power budget tables should compute margins that should be considered as a minimum requirement for the system at BOL. These margins should be expressed in terms of a Q factor value. The contractors should provide, as a minimum, the values of the parameters used to compute the power budget and specify all necessary complementary relevant information such as, for instance, the use of any optical polarization scrambling or phase modulation to minimize the polarization effects or non-linear effects.

An example of a possible power budget template is shown in Table A.1.

Table A.1 – An example of a possible power budget template

	Parameter	BOL Q in dB	EOL Q in dB
1	Mean Q value (from a simple signal-to-noise ratio (SNR) calculation)		
1.1	Propagation impairments due to combined effects of chromatic dispersion, non-linear effects, four-wave mixing effects, stimulated Raman scattering effects, etc.		
1.2	Gain flatness impairments		
1.3	Non-optimal optical pre-emphasis impairment		
1.4	Wavelength tolerance impairment		
1.5	Mean PDL penalty		
1.6	Mean PDG penalty		
1.7	Mean PMD penalty		
1.8	Supervisory impairment		
1.9	Manufacturing and environmental impairment		
2	Time-varying system performance (5 sigma rule)		
3	Line Q value (1-1.1 to 1.9-2)		
4	Specified TTE Q value (back-to-back)		
5	Segment Q value (computed from 3 and 4)		
5.1	BER corresponding to segment Q without FEC		
5.2	BER corresponding to segment Q with FEC		
5.3	Effective segment Q value with FEC		
6	Q limit compliance with G.826 after FEC		

Table A.1 – An example of a possible power budget template

	Parameter	BOL Q in dB	EOL Q in dB
7	Repair margins Component- and fibre-ageing penalty Pump(s) failure penalty Non-optimal decision threshold		
8	Segment margins		
9	Unallocated supplier margin		
10	Commissioning limits		

Table A.1 should be completed as follows:

- Line 1: Mean Q value (simple SNR calculation). (There exist different formulas: simple noise accumulation with constant signal power or total output power and with/without extinction ratio... etc. Some calculation examples are given in [b-ITU-T G-Sup.41].)
- Lines 1.1 to 1.9 give a non-exhaustive list of impairment sources that impact system performances. Those impairments have to be deduced from line 1.
- Line 2: Time-varying system performance. This defines an additional impairment due to polarization fluctuation phenomena that decrease the mean performances.
- Line 3: Line Q value. This line gives the line Q factor. It is the result of this operation:

$$\text{line 3} = \text{Line 1} - (\text{line 1.1 to line 1.9}) - \text{line 2}$$

- Line 4: Specified TTE Q value. This line gives the SLTE back Q factor at BOL and EOL.
- Line 5: Segment Q value. This line gives the segment Q factor calculated from lines 3 and 4 using the following formula:

$$\frac{1}{Q^2_{segment}} = \frac{1}{Q^2_{line}} + \frac{1}{Q^2_{TTEbacktoback}}$$

- Line 5.1: BER corresponding to segment Q without FEC. Line 5 converted into bit error ratio (BER) before forward error correction.
- Line 5.2: BER corresponding to segment Q with FEC. BER after FEC.
- Line 5.3: Effective segment Q value with FEC. Line 5.2 converted into Q factor.
- Line 6: Q limit for compliance with G.826 after FEC. Q factor corresponding to the worst allowable bit error rate before correction by FEC. For example, 11.2 dB corresponds to a BER of 2.4×10^{-4} . A BER of 2.4×10^{-4} is converted by the first generation FEC defined in [ITU-T G.975] to a BER better than 10^{-11} . Therefore, a Q factor of all 11.2 dB covers all DLS lengths for the first generation FECs. With advanced FEC schemes defined in [ITU-T G.975.1] a BER of 10^{-3} is converted to a BER better than 10^{-13} after correction.
- Line 7: Repairs, ageing and pump failures. Line 7 is given by line 5 (BOL) minus line 5 (EOL).
- Line 8: Segment margins. Line 8 (EOL), the segment margins are usually 1 dB contractually at EOL. Line 8 (BOL), is given by line 7 plus line 8 (EOL).
- Line 9: Unallocated supplier margins. Margin for other and unknown impairments.
- Line 10: Commissioning limits. This line gives the contractual commissioned Q limit for each DLS.

A.3.2 Digital line section performance

The performance of each digital line section should at least conform to [ITU-T G.826].

A.4 System operation

A.4.1 Terminal-to-terminal communication

Generally, at least two service channels are established between two terminal stations: one through the optical fibre submarine cable system for the purpose of operating and maintaining the system; the other, through either external means or other route for ring network systems, for the purpose of maintaining the communication between the two terminal stations in case of system fault.

In particular, a service channel is normally provided to:

- permit transmission of terminal-to-terminal messages between the supervisory equipment of corresponding terminal stations;
- provide information on the status of the system and of the digital line sections;
- provide information on the ongoing supervisory activity so as to help in overall system monitoring; and
- provide information for supervisory or fault location purposes.

One order wire channel may be established between terminal stations exchanging traffic for communication between the staff of the terminal stations.

A.4.2 Function and characteristics of the power feeding equipment

A.4.2.1 PFE normal operating condition

The PFE provides, through the cable power conductor with return through the sea, a stabilized electric current to power the electrical circuits of the optical submarine repeater(s) and/or optical submarine branching unit(s). This current is generally adjustable and is a slightly decreasing function of the PFE resistive load.

The variations in time of the PFE current, which may be caused by ambient temperature changes within a specified range, variations and transients in the power source voltage, or redundancy switching in the PFE, are maintained between specific limits. The PFE current stability is defined so as to meet the overall stability requirement of the optical fibre submarine cable system. The PFE current stability is usually expressed as a percentage of the PFE nominal current.

The PFE output voltage is automatically adjusted to keep the PFE current constant in the presence of naturally induced voltages. It is usually considered that these naturally induced voltages, which accumulate along a link, may reach a value of 0.3 V/km (east-west) and that they vary slowly with time (less than 10 V/s).

A.4.2.2 System protection

The PFE is normally equipped with facilities designed to protect the PFE itself and the submarine portion from excessive current or excessive voltage in case of electrical fault in the PFE itself or anywhere in the system.

In particular, a PFE earth protection is provided to automatically route the power feeding current to the earth station if the system power feed electrode becomes disconnected or changes to an excessive potential difference from the station earth. The operation of this device is designed to avoid interruption of the optical fibre submarine cable system and to prevent a rise in the power equipment earth potential sufficient to damage the equipment or endanger personnel.

A.4.2.3 PFE personnel protection

PFE personnel protection is provided to prevent personnel from gaining access to dangerous voltages whether generated at the near end or at the far end of the optical fibre submarine cable system. The protection equipment includes, in particular, interlocks at the cable terminating equipment, emergency shut-down at the PFE, and earthing devices enabling the cable power conductor to be discharged to earth before handling.

A.5 Optical submarine repeater (OSR), branching unit (BU) and optical submarine equalizer (OSE) characteristics

A.5.1 General

OSRs, BUs and OSEs are capable of being operated in accordance with the system performance specifications during the system's designed lifetime and in the sea depth environmental conditions (temperature, pressure, etc.).

OSRs, BUs and OSEs are designed to be handled, i.e., laid, recovered and re-layed, without impairment of the performance of the cable, cable jointing boxes, repeaters, branching units, and cable terminations, provided that handling specifications are respected.

OSRs, BUs and OSEs are designed to be transported and stored under specified temperature conditions without affecting the system's designed lifetime, provided that storage and transport specifications are respected.

OSRs, BUs and OSEs are capable of being operated on board a cable ship during laying and repair operations without affecting the system's designed lifetime.

The size of OSRs, BUs and OSEs is such that they can be handled by appropriate cable ship equipment.

The repeater optical input interface (point R) on each incoming fibre is defined where the repeater fibre is spliced to the cable fibre.

The repeater optical output interface (point S) on each outgoing fibre is defined where the repeater fibre is spliced to the cable fibre.

A.5.2 OSR (or BU or OSE) constituents

The main OSR (or BU or OSE) constituents are:

- the OSR (or BU or OSE) housing:
The housing is designed to provide resistance to the sea depth pressure, water-tightness, high mechanical strength, electrical and optical connection to the cable sections on each side of the OSR (or BU or OSE), high voltage insulation and low thermal impedance between the OSR (or BU or adjustable OSE) electronic unit and the sea;
- the OSR (or BU or adjustable OSE) electronic/optical unit:
the piecepart, made of the optical amplifier(s), and/or the supervisory circuit(s), and/or the power supply and protection circuit(s), and/or optical multiplexer(s) and demultiplexer(s), and/or redundancy switch(es).

A.5.3 Supervisory and monitoring

In association with the maintenance controller in the terminal, the OSR (or BU or adjustable OSE) supervisory unit permits repeater performance monitoring. Optical loopbacks may provide facilities to monitor the cable sections between two OSRs with the use of COTDR.

Bibliography

[b-ITU-T G-Sup.41] ITU-T G-series Recommendations – Supplement 41 (2005), *Design guidelines for optical fibre submarine cable systems*.

SERIES OF ITU-T RECOMMENDATIONS

Series A	Organization of the work of ITU-T
Series D	General tariff principles
Series E	Overall network operation, telephone service, service operation and human factors
Series F	Non-telephone telecommunication services
Series G	Transmission systems and media, digital systems and networks
Series H	Audiovisual and multimedia systems
Series I	Integrated services digital network
Series J	Cable networks and transmission of television, sound programme and other multimedia signals
Series K	Protection against interference
Series L	Construction, installation and protection of cables and other elements of outside plant
Series M	Telecommunication management, including TMN and network maintenance
Series N	Maintenance: international sound programme and television transmission circuits
Series O	Specifications of measuring equipment
Series P	Telephone transmission quality, telephone installations, local line networks
Series Q	Switching and signalling
Series R	Telegraph transmission
Series S	Telegraph services terminal equipment
Series T	Terminals for telematic services
Series U	Telegraph switching
Series V	Data communication over the telephone network
Series X	Data networks, open system communications and security
Series Y	Global information infrastructure, Internet protocol aspects and next-generation networks
Series Z	Languages and general software aspects for telecommunication systems