

RECOMMENDATION ITU-R F.387-10

**Radio-frequency channel arrangements for
fixed wireless systems operating in the 11 GHz band**

(Question ITU-R 136/9)

(1963-1970-1974-1978-1986-1990-1992-1995-1999-2002-2006)

Scope

This Recommendation provides radio-frequency channel arrangements for fixed wireless systems (FWSs) operating in the 11 GHz band (10.7-11.7 GHz), which may be used for high, medium and low capacity fixed service applications including mobile infrastructure. The channel spacing recommended in the main text is 40 MHz with 15 and 55 MHz guardbands as well as a second arrangement also using a channel spacing of 40 MHz but with a 35 MHz guardband. Other arrangements with spacings other than 40 MHz and used in some countries are also provided in the *recommends* referring to several Annexes.

The ITU Radiocommunication Assembly,

considering

- a) that, at 11 GHz, digital systems with a capacity of up to 140 Mbit/s or synchronous digital hierarchy or equivalent bit rates seem to be feasible, subject to rainfall conditions;
- b) that repeater spacing as well as other aspects of system design in this frequency range must take due cognizance of significant meteorological factors;
- c) that it is desirable to interconnect such systems at radio frequencies on international links;
- d) that single- and multi-carrier digital fixed wireless systems (FWSs) are both useful concepts to achieve the best technical and operational trade-off in system design,

recommends

1 that the preferred RF channel arrangements for high capacity FWS with a bit rate of the order of plesiochronous or synchronous digital hierarchy or equivalent bit rates (Note 1) operating in the 11 GHz band should be derived as follows:

Let f_0 be the frequency of the centre of the band of frequencies occupied (MHz),

f_n be the centre frequency of one RF channel in the lower half of the band (MHz),

f'_n be the centre frequency of one RF channel in the upper half of the band (MHz);

1.1 that a main pattern (providing up to 12 go and return channels) provides the frequencies of individual channels expressed by the following relationship:

lower half of the band: $f_n = f_0 - 525 + 40 n$ MHz

upper half of the band: $f'_n = f_0 + 5 + 40 n$ MHz

where:

$n = 1, 2, 3, \dots, 12$ in both the lower and the upper bands (for 12-channel arrangement with ZS guardbands of 15 MHz),

or $n = 2, 3, 4, \dots 12$ in the lower half of the band, and
 $n = 1, 2, 3, \dots 11$ in the upper half of the band (for 11-channel arrangement with ZS guardbands of 55 MHz);

The frequency arrangement is illustrated in Fig. 1 (Notes 2 and 3);

1.2 that a second option for main pattern (providing up to 12 go and return channels) with ZS guardbands of 35 MHz provides the frequencies of individual channels expressed by the following relationship:

lower half of the band: $f_n = f_0 - 505 + 40 n$ MHz

upper half of the band: $f'_n = f_0 - 15 + 40 n$ MHz

where:

$n = 1, 2, 3, \dots 12$, depending on the number of channels.

The frequency arrangement is illustrated in Fig. 2, which also shows a possible polarization arrangement.

FIGURE 1
 RF channel arrangement for high capacity FWSs operating
 in the 11 GHz band according to *recommends 1.1*
 (All frequencies in MHz)

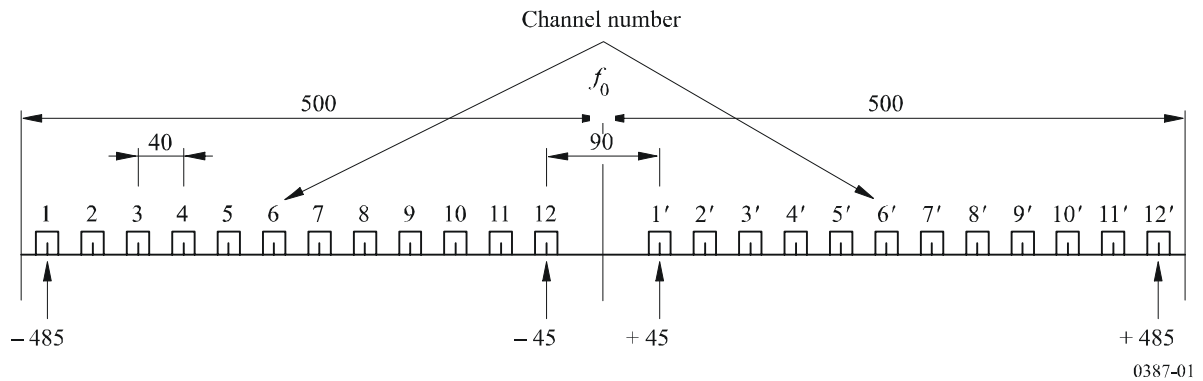
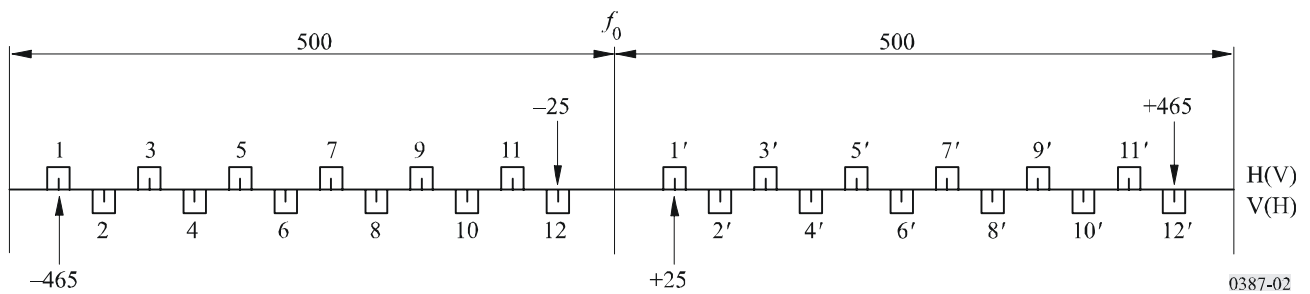


FIGURE 2
 RF channel arrangement for high capacity FWSs operating
 in the 11 GHz band according to *recommends 1.2*
 (All frequencies in MHz)



- 2 that, in a section over which the international connection is arranged, all the go channels should be in one half of the band and all the return channels should be in the other half of the band;
- 3 that for adjacent RF channels in the same half of the band different polarizations should preferably be used alternately (see also *recommends* 6);
- 4 that the preferred centre frequency f_0 is 11 200 MHz; other centre frequencies may be used by agreement between the administrations concerned;
- 5 that when low- or medium-capacity digital FWS are to be used in the 11 GHz band, the RF channel arrangement should be in accordance with the pattern in *recommends* 1.2 (see also Note 7);
- 6 that a co-channel dual polarized arrangement may also be used for digital FWS which can be derived from the arrangements given in Figs. 1 or 2 by supplementing each channel by its counterpart;
- 7 that if multi-carrier transmission (see Note 5) is employed, the overall number of n carriers will be regarded as a single channel. The centre frequency of that channel should be derived from *recommends* 1, disregarding the actual centre frequencies of the individual carriers, which may vary, for technical reasons, according to practical implementations. Operation of multi-carrier systems is addressed in greater detail in Annex 2.

NOTE 1 – Actual gross bit rates may be as much as 5% or more higher than net transmission bit rates.

NOTE 2 – The use of a single antenna allows for 12 go and 12 return channels based on the channel arrangement of Fig. 1.

NOTE 3 – Due regard should be taken that another interleaved channel arrangement with radio-frequency channels shifted 20 MHz below the main pattern in *recommends* 1.1 was also recommended in the previous version of this Recommendation and used in particular in the past for the introduction of digital medium capacity networks in addition to existing analogue ones. Channel 1 of this arrangement is outside the lower band edge, at 10.7 GHz, and in accordance with No. 5.340 of the Radio Regulations (RR), its use is prohibited; however, in accordance with RR No. 5.483, this arrangement may still be in use in some countries.

NOTE 4 – It is recognized that some administrations are using alternative 140 Mbit/s channel arrangements as described in Annex 1.

NOTE 5 – A multi-carrier system is a system with n (where $n > 1$) digitally modulated carrier signals simultaneously transmitted (or received) by the same RF equipment. The centre frequency should be regarded as the arithmetic average of the n individual carrier frequencies of the multi-carrier system.

NOTE 6 – Due regard should be taken that in one country a channel arrangement based on 60 MHz channel separation is used. This arrangement is shown in Annex 3.

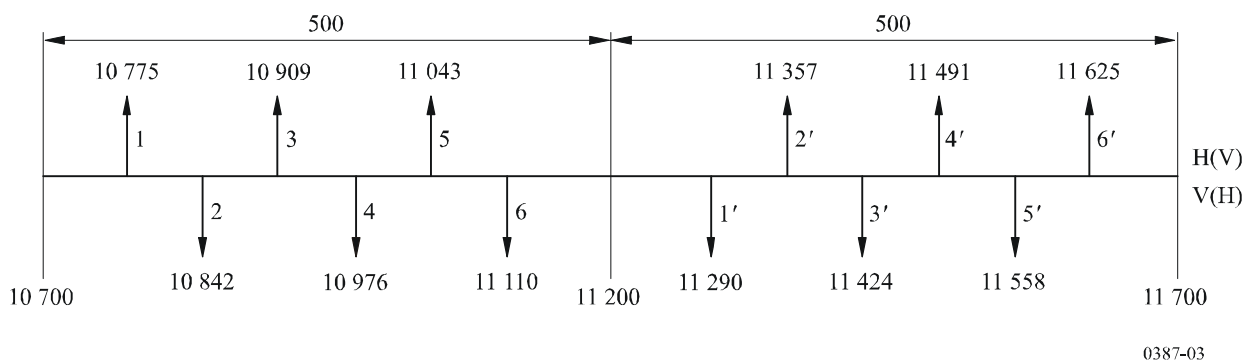
NOTE 7 – Due regard should be taken of the fact that, in some countries, other RF channel arrangements for medium- and low-capacity digital systems are used. A description of these RF channel arrangements is given in Annex 4.

Annex 1

A practical RF channel arrangement using a system with 4-PSK modulation

The channel arrangement shown in Fig. 3 is used in the United Kingdom based on 4-PSK modulation, and is intended for use over existing fixed wireless links which incorporate hop lengths of up to 65 km.

FIGURE 3
RF channel arrangement for a 4-PSK digital FWS
(All frequencies in MHz)



Annex 2

Description of a multi-carrier system

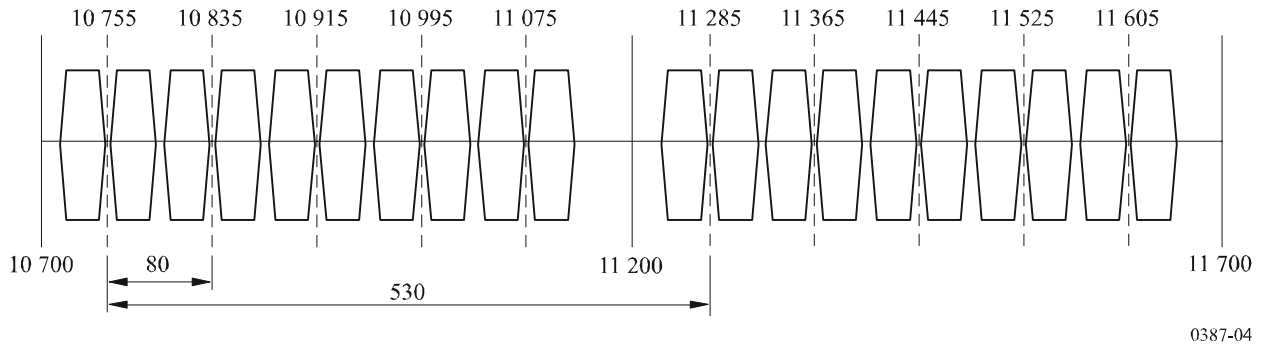
A multi-carrier system is a system with n (where $n > 1$) digitally modulated carrier signals simultaneously transmitted (or received) by the same radio frequency equipment.

For high capacity multi-carrier transmission, the centre frequency of the channel should coincide with one of the corresponding frequencies of the basic channel arrangements given in *recommends* 1.1 or *recommends* 1.2. The channel spacing may be an integer multiple of the basic values defined by *recommends* 1.1 or *recommends* 1.2. Compatibility with existing configurations has to be taken into account when choosing the appropriate alternative.

An example of a co-polar channel arrangement using a two carrier system with 64-QAM is shown below.

The channel arrangement depicted in Fig. 4 is based upon the use of a 2-carrier system transmitting $2 \times 2 \times 155.52$ Mbit/s ($4 \times$ STM-1) via two carrier pairs using both polarizations in the co-channel arrangement.

FIGURE 4
RF channel arrangement for a $2 \times 2 \times 155.52$ Mbit/s ($4 \times$ STM-1) FWS operating with 80 MHz channel spacing in the 10.7-11.7 GHz band, as used in Switzerland
 (All frequencies in MHz)



0387-04

Annex 3

Description of the 60 MHz RF channel arrangement

The RF channel arrangement referred to in Note 6 providing 16 go and return channels based on co-channel pattern is shown in Fig. 5 and defined as:

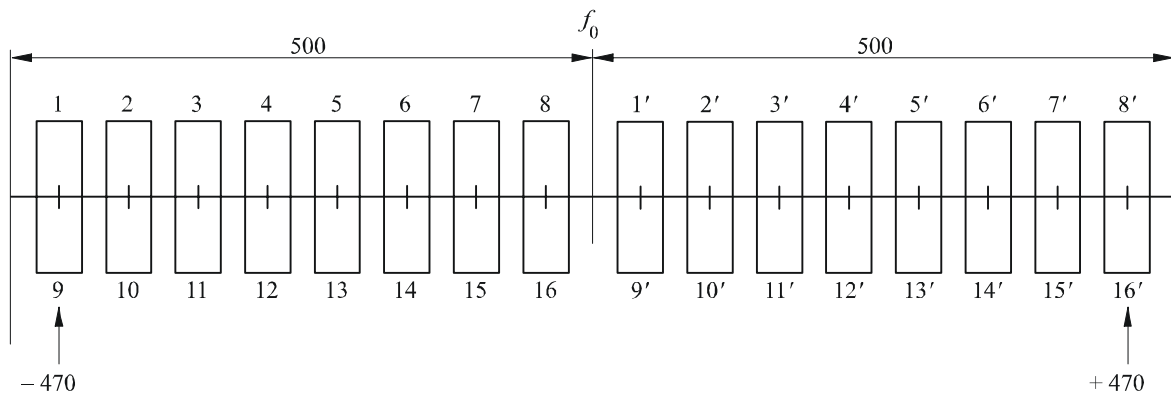
lower half of the band: $f_n = f_0 - 470 + 60(n - 1)$ MHz

higher half of the band: $f'_n = f_0 + 50 + 60(n - 1)$ MHz

where:

$n = 1, 2, \dots, 8.$

FIGURE 5
RF channel arrangement for high capacity digital FWSs operating in the 11 GHz band
 (All frequencies in MHz)



0387-05

Annex 4

**RF channel arrangements for medium- and low-capacity digital FWS operating
in the band 10 700-11 700 MHz with a channel spacing of 20, 10 and 5 MHz**

The RF channel arrangements referred to in Note 7 of *recommends* 5 for carrier spacing of 20 MHz, 10 MHz and 5 MHz are shown in Fig. 6 and shall be derived as follows:

Let:

f_0 be the frequency of the centre of the band of frequencies occupied (MHz),

f_n be the centre frequency of one RF channel in the lower half of the band (MHz),

f'_n be the centre frequency of one RF channel in the upper half of the band (MHz);

a) for systems with a carrier spacing of 20 MHz:

lower half of the band: $f_n = f_0 - 505 + 20 n$

upper half of the band: $f'_n = f_0 + 25 + 20 n$

where:

$$n = 1, 2, 3, \dots 23;$$

b) for systems with a carrier spacing of 10 MHz:

lower half of the band: $f_n = f_0 - 505 + 10 n$

upper half of the band: $f'_n = f_0 + 25 + 10 n$

where:

$$n = 1, 2, 3, \dots 47;$$

c) for systems with a carrier spacing of 5 MHz:

lower half of the band: $f_n = f_0 - 500 + 5 n$

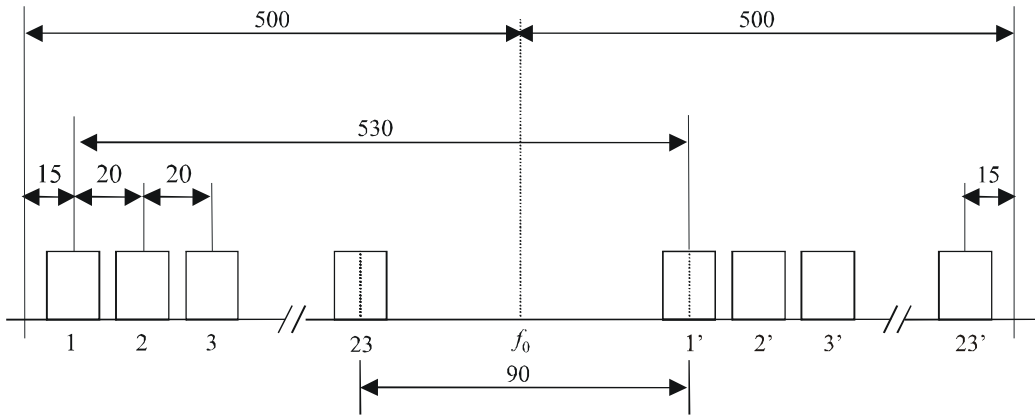
upper half of the band: $f'_n = f_0 + 30 + 5 n$

where:

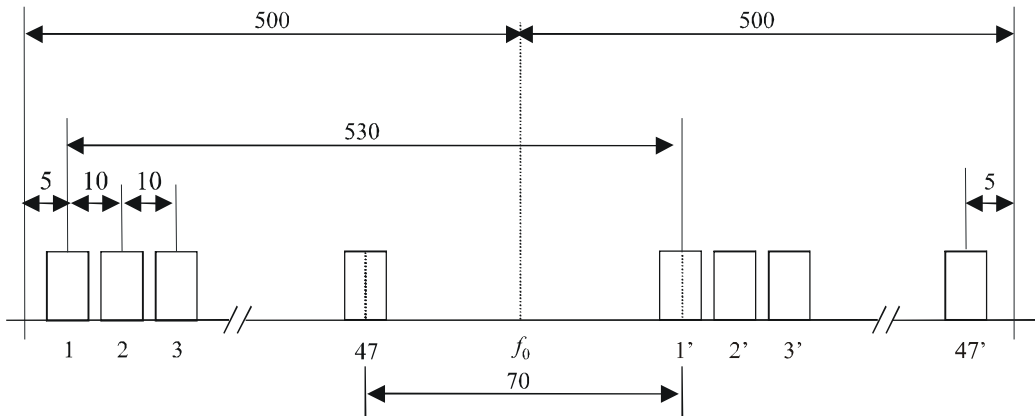
$$n = 1, 2, 3, \dots 93.$$

The centre frequency f_0 is 11 200 MHz.

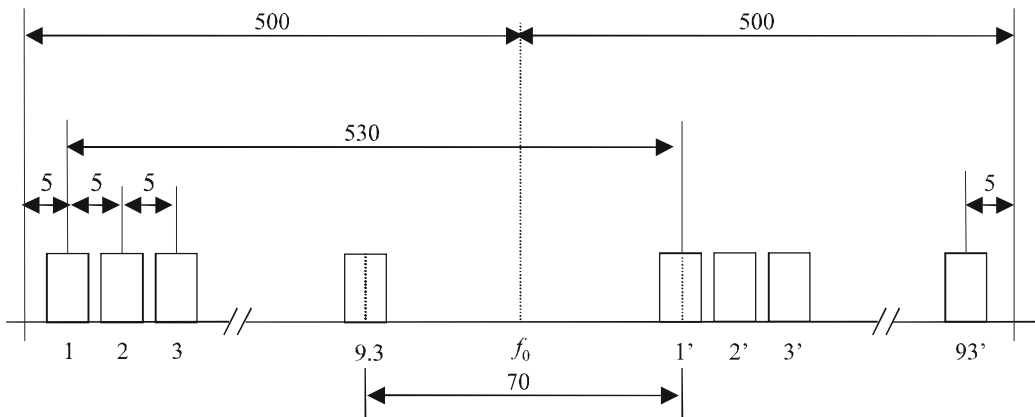
FIGURE 6
 RF arrangements for FWSs operating with 20 MHz, 10 MHz
 and 5 MHz channel spacing in the 10.7-11.7 GHz band
 (All frequencies in MHz)



a) for systems with a carrier spacing of 20 MHz



b) for systems with a carrier spacing of 10 MHz



c) for systems with a carrier spacing of 5 MHz