

Session 1: Leveraging emerging technologies for disaster management

Disaster risk reduction in the digital transformation age: Leveraging emerging technologies

13 October 2023 | 14:00-16:00 CEST



Moderator

Muralee Thummarukudy

Director, G20 Global Land Initiative
UNCCD



Elena Xoplaki

Vice-Chair of FG-AI4NDM
Justus Liebig University Giessen
Germany



Md. Nasir

Senior Applied Research Scientist
Microsoft, United States



Giriraj Amarnath

Principal Researcher
Disaster Risk Management & Climate
Resilience, IWMI



Cameron Chell

Co-Founder
Draganfly Innovations
United States



Teppo Rantanen

Executive Director of Economic Policy
Competitiveness & Innovation
City of Tampere, Finland



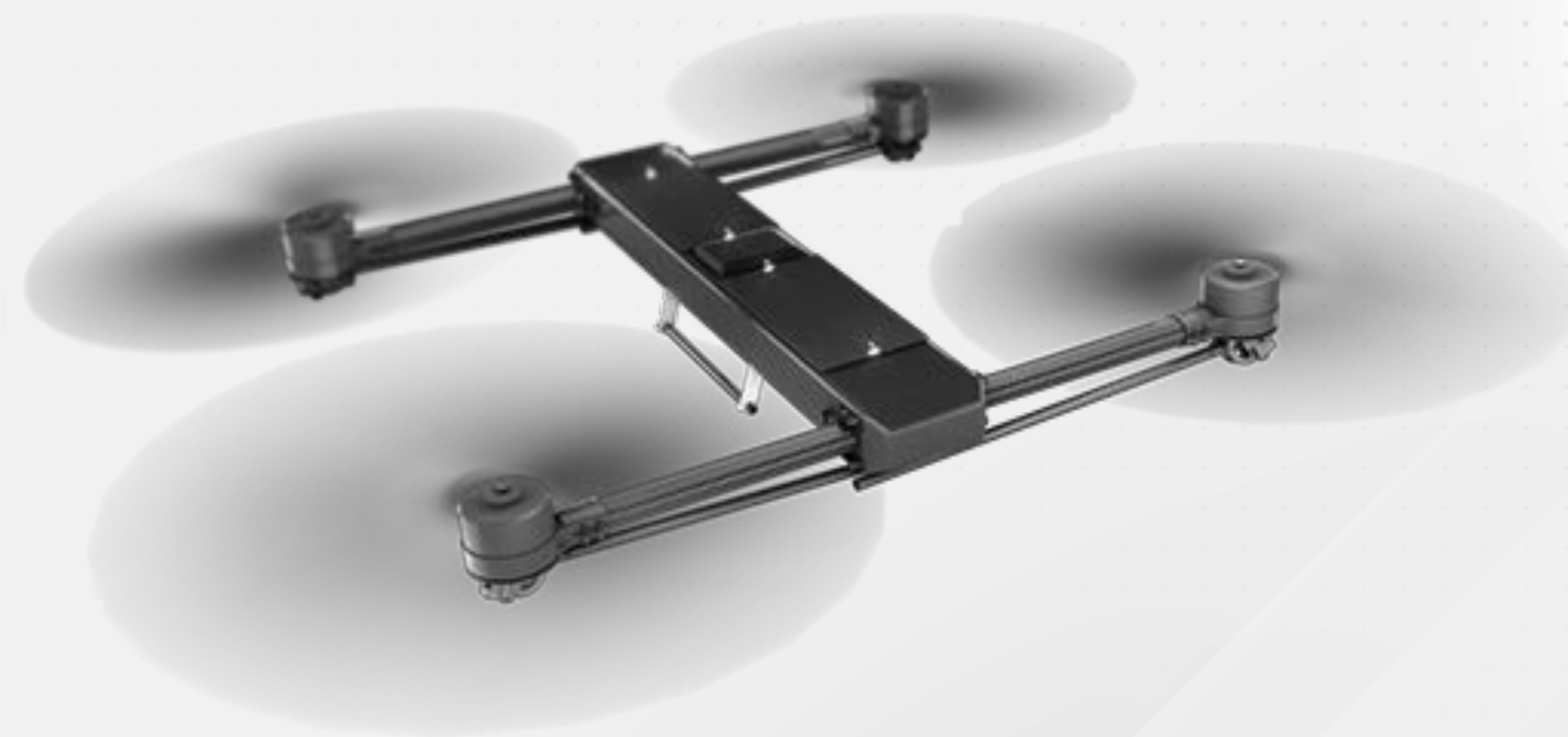
United Nations
Convention to Combat
Desertification



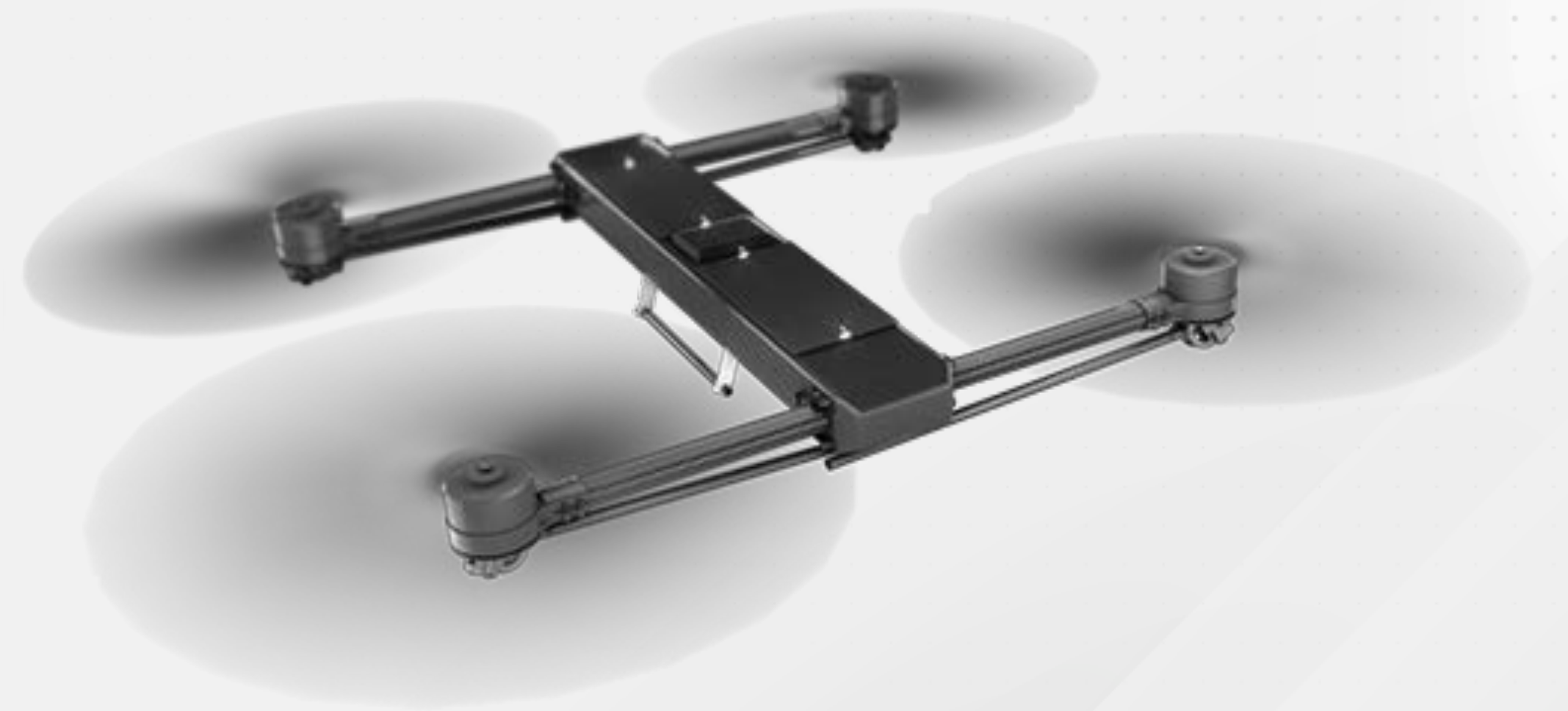
WORLD
METEOROLOGICAL
ORGANIZATION



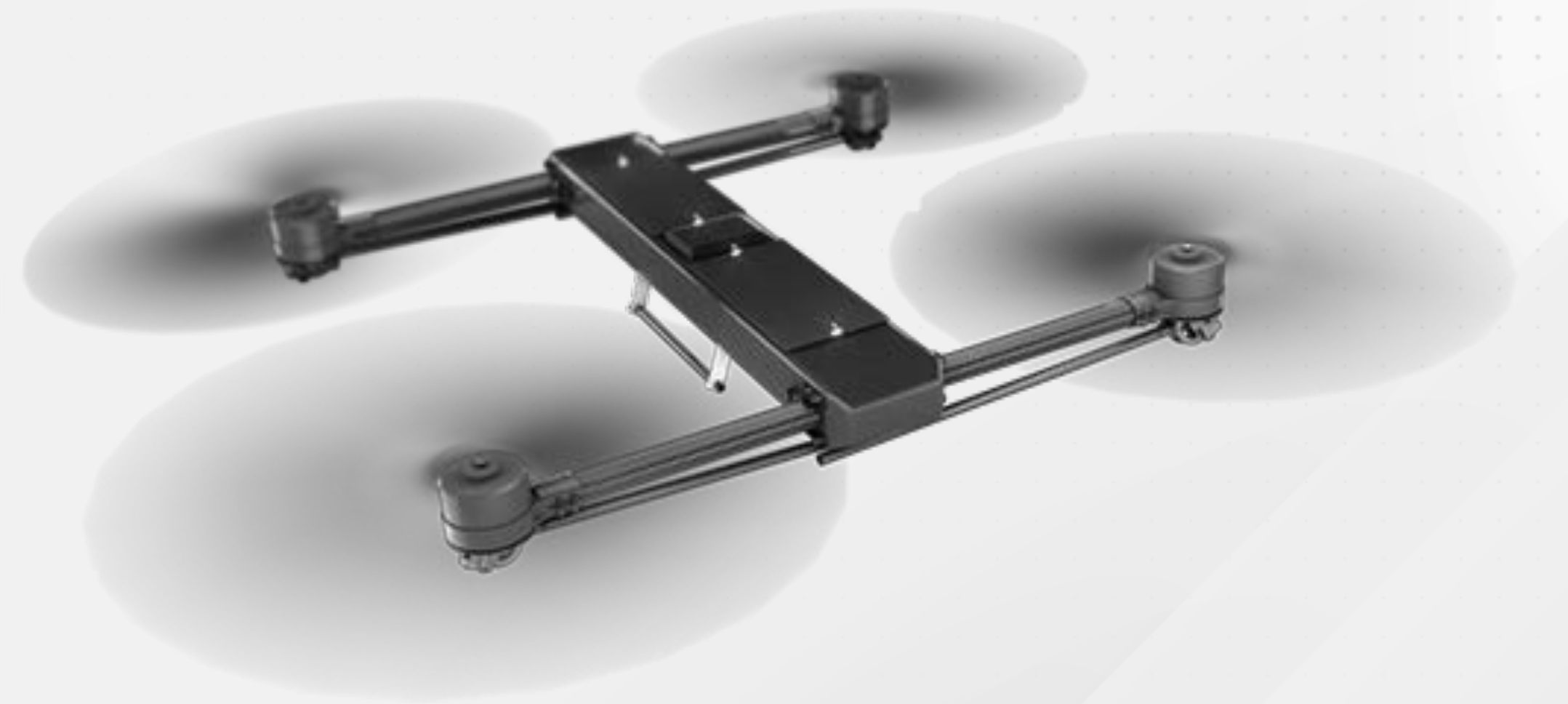
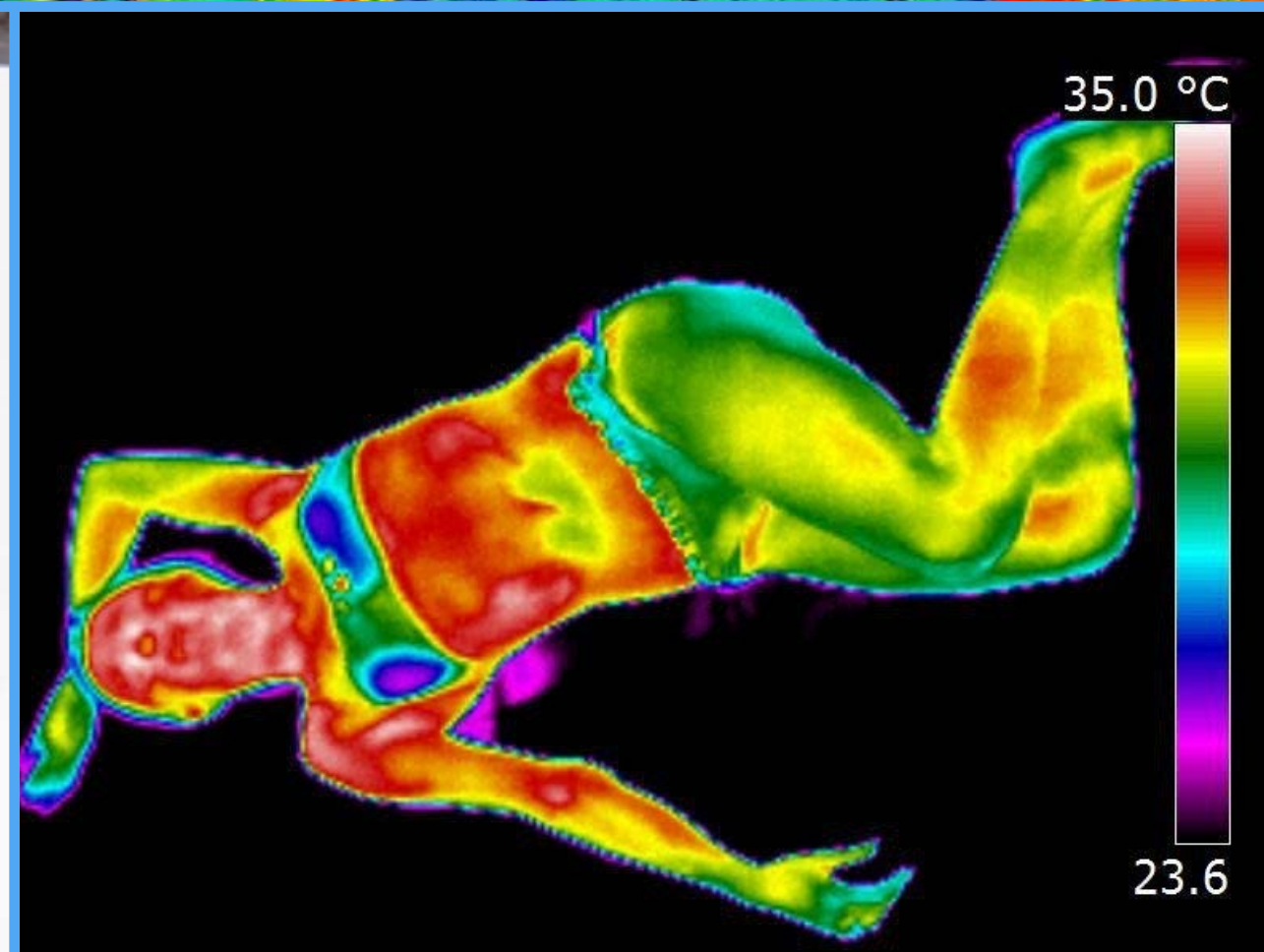
Flooding



Rooftop Spotting



Survivor Search

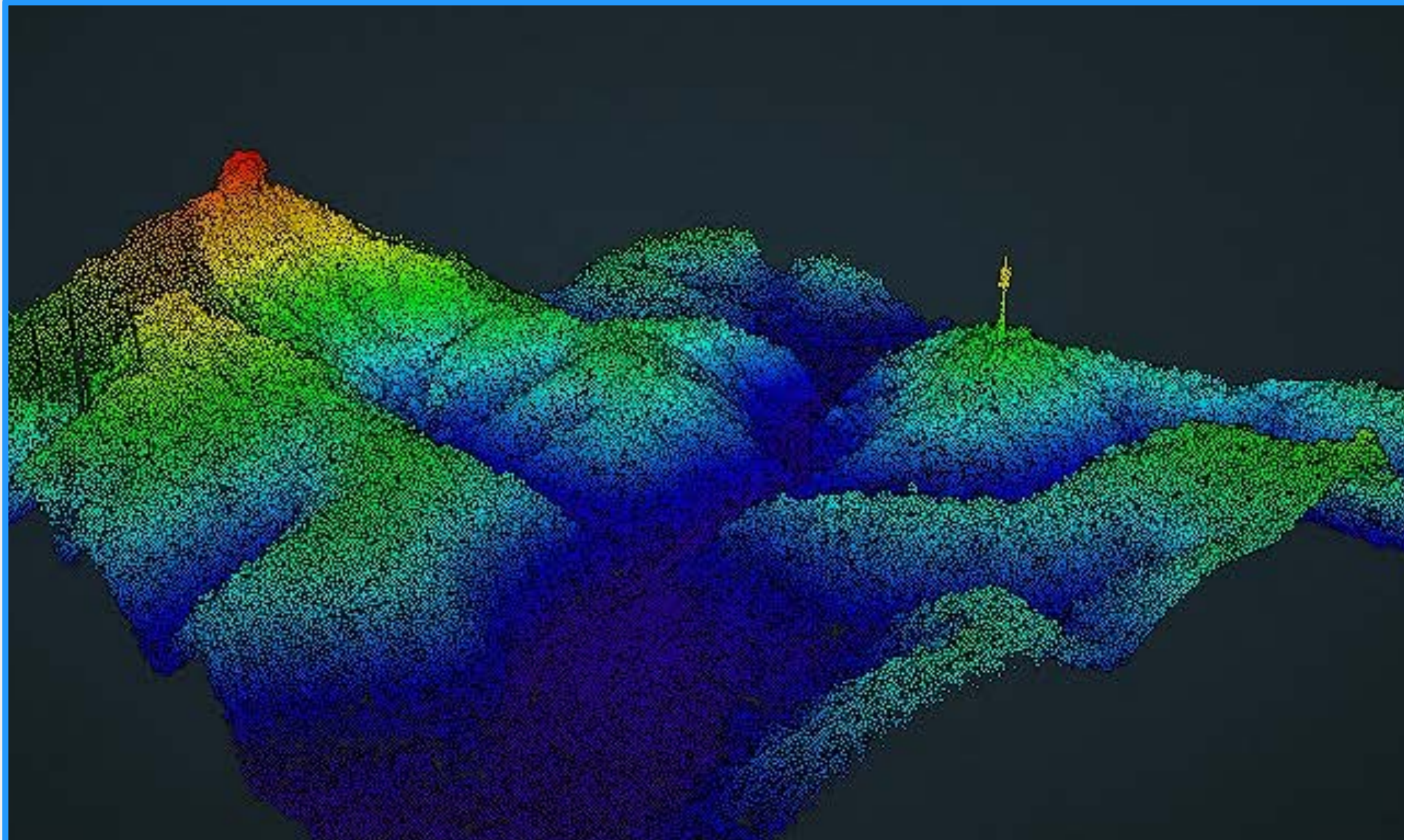


Mapping & Surveying



Wildfire Management

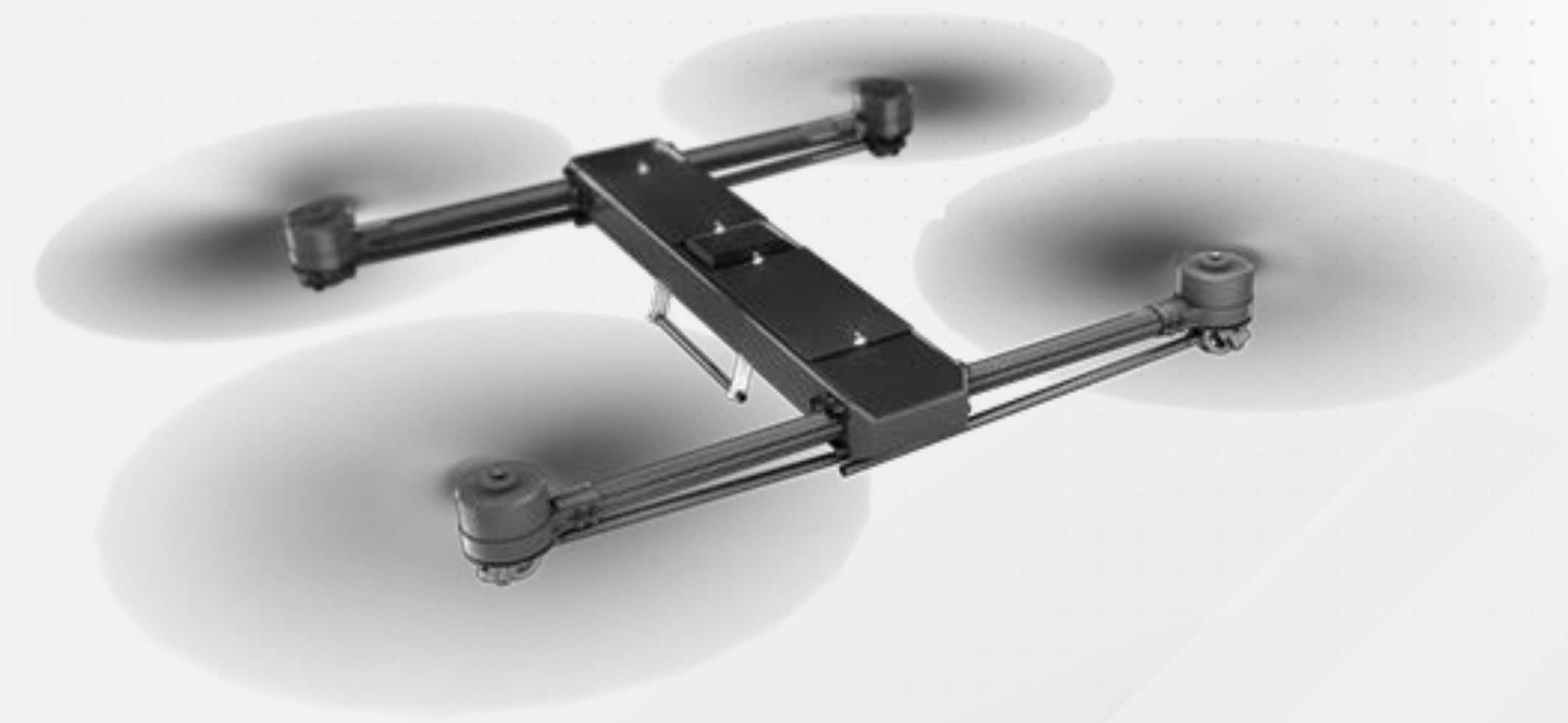
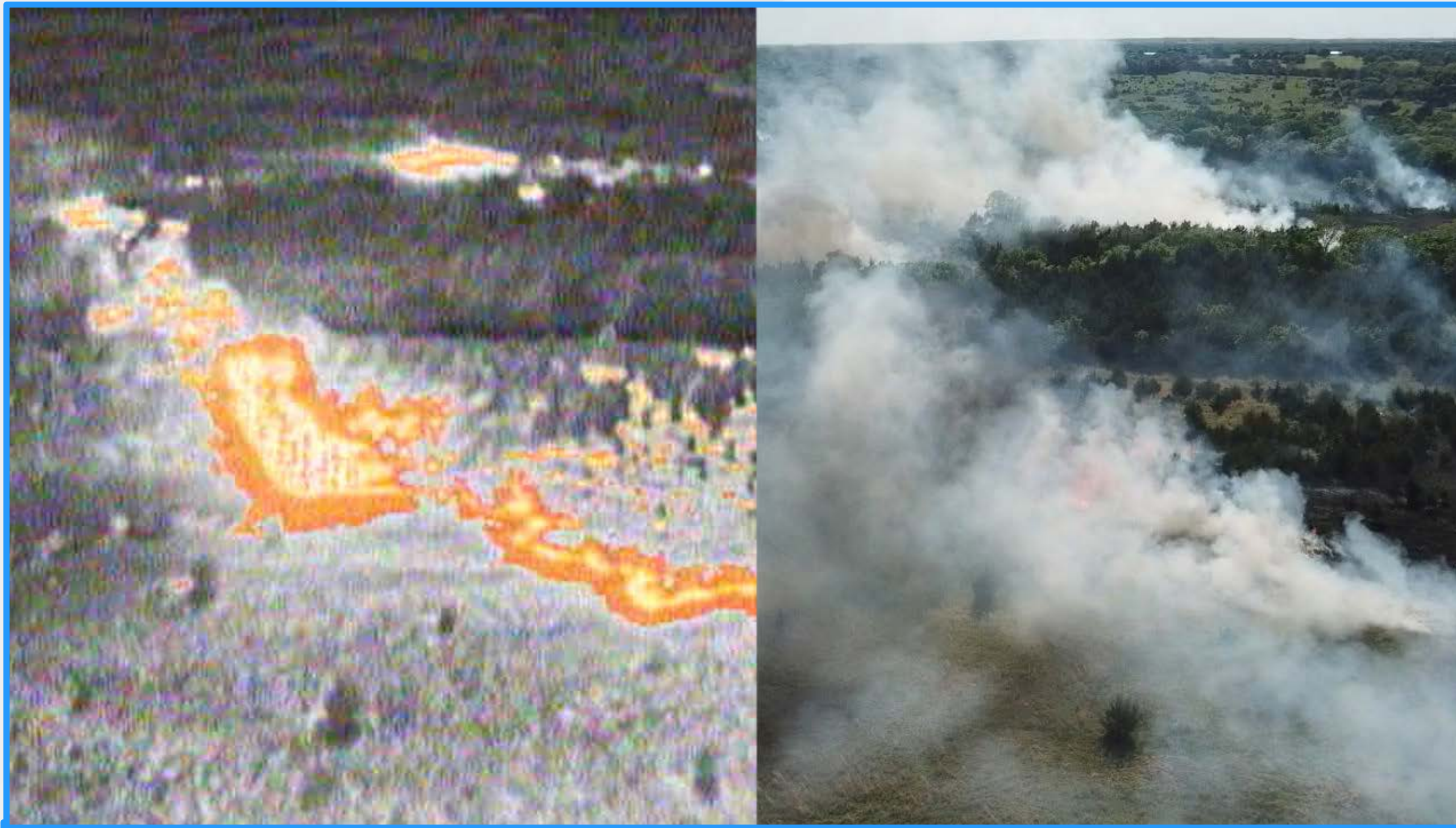
LIDAR Mapping



Musterpoints



Wildfire Hotspots



The Way Forward

draganFLY™
ABOVE ALL ELSE™ ESTABLISHED 1998 DFLY

