

GSR 2008 Discussion Paper

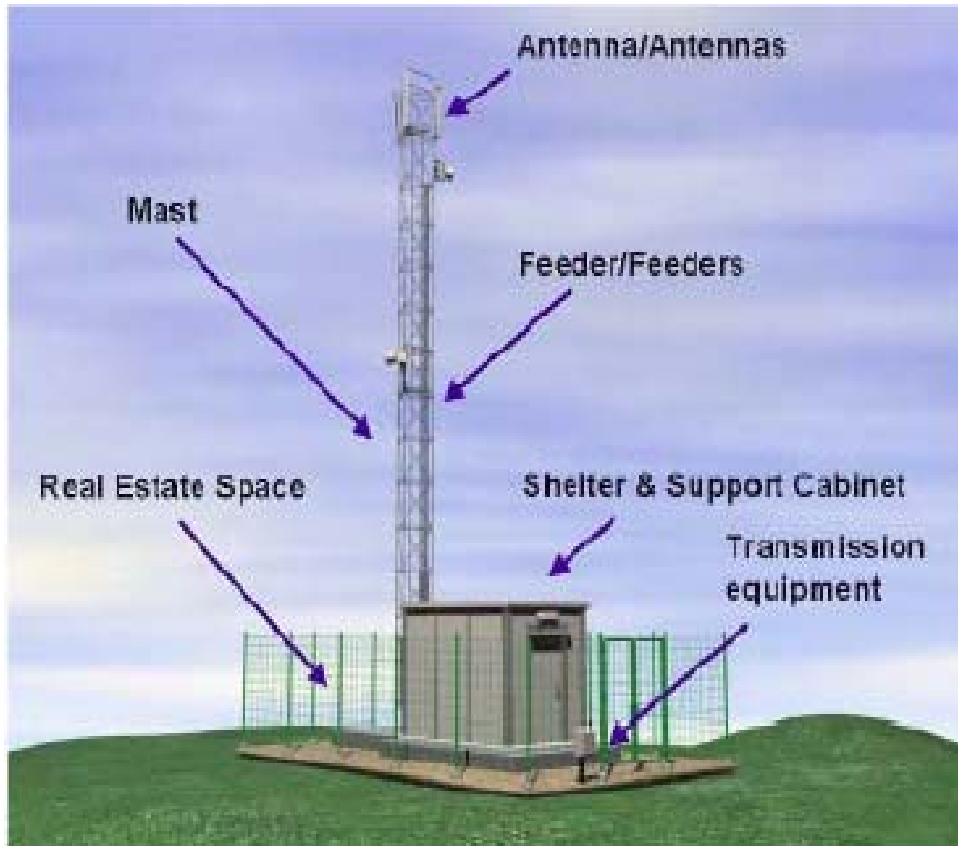
Comments are welcome and should be sent by 13 April 2008 to GSR08@itu.int



GSR 08: Session 4 **Mobile Sharing**

Camila Borba-Lefevre
Legal Advisor
Machado, Meyer, Sendacz &
Opice, São Paulo, Brazil

Passive sharing



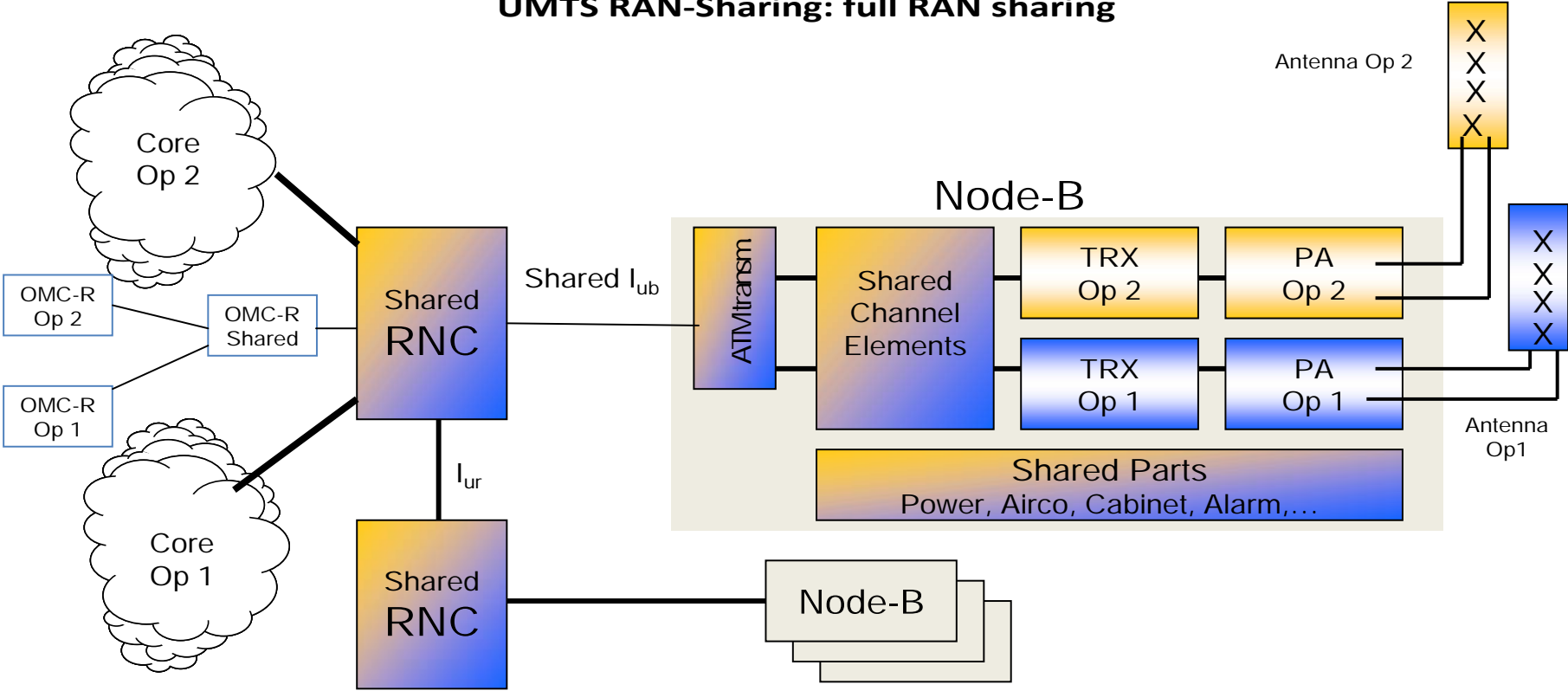
- Physical space
- Masts and pylons
- Cables
- Battery back-up
- Shelter and support cabinet

Source: Telecom Regulatory Authority of India

Active sharing

- RAN Sharing

UMTS RAN-Sharing: full RAN sharing



Other options

- National roaming / Regional roaming
 - Open access model:
 - MVNO
 - Tower company
 - Functional separation
-

Brazil – network sharing small communities



- Communities with less than 30,000 inhabitants (ca. 4,500)
- 3 licensed operators 3G services
- Each must serve 1/3 communities
- Network may be shared with other 2 operators

India – subsidized tower sharing rural and remote areas



- **Infrastructure built with subsidies from USOF**
- **Areas without coverage**
- **Towers must be shared**

Questions

Universality or competition?

Infrastructure or services?

GSR 2008

Discussion
Paper

Comments are welcome and should be sent by 13 April 2008 to GSR08@itu.int



Thank you!

clefevre@mmso.com.br

Tel.: (5511) 3150.7704

Fax: (5511) 3150.7071

www.itu.int/gsr08