



**APT/ITU Conformance and Interoperability Event**  
25-26 August 2014, Bangkok, Thailand



**REGISTRATION FORM**

**For Participating Companies and Exhibitors for the Testing (NGN / IPTV) and Showcasing**

Please completely fill up using CAPITAL LETTERS.

**Last Date of Submission:**  
**25 July 2014**

**CONTACT INFORMATION:**

Company / Organization: .....

Country: .....

**CONTACT PERSON (for APT/ITU C&I Events):**

First Name: (Mr./Ms./Mrs./Dr.) ..... Last Name: .....

Present Position (Title): .....

Business Address: .....

Phone: ..... Fax No: ..... E-mail: .....

**MEMBERSHIP STATUS: (Please tick which is appropriate for your membership status)**

1. Affiliate Member of APT       2. Sector Member of ITU       3. International/Regional Organization   
4. Non-Member of both APT and ITU       5. Others  .....

**PARTICIPATION: (Please tick your role in the Event)**

1. Workshop   
2-1. NGN testing  (Please fill the **Annex 1**)      2-2. IPTV testing  (Please fill the **Annex 2**)  
3. Exhibitor of Showcasing  (Please fill the **Annex 3**)

**DELEGATION LIST: (if decided)**

Individual participants need to register online at <http://www.apr.int/content/online-registration>

1. ....  
2. ....  
3. ....

**Signature** \_\_\_\_\_

**Date:** \_\_\_\_\_

**Please Return To:** Asia-Pacific Telecommunity, 12/49 Soi 5, Chaengwatana Road, Bangkok 10210, Thailand.  
Fax:+662 573 7479; Email: [aptastap@apr.int](mailto:aptastap@apr.int)

## ANNEX 1

### For Participating Companies in NGN Interoperability Testing

Please fill the table below to describe the equipment which you will bring to the event.

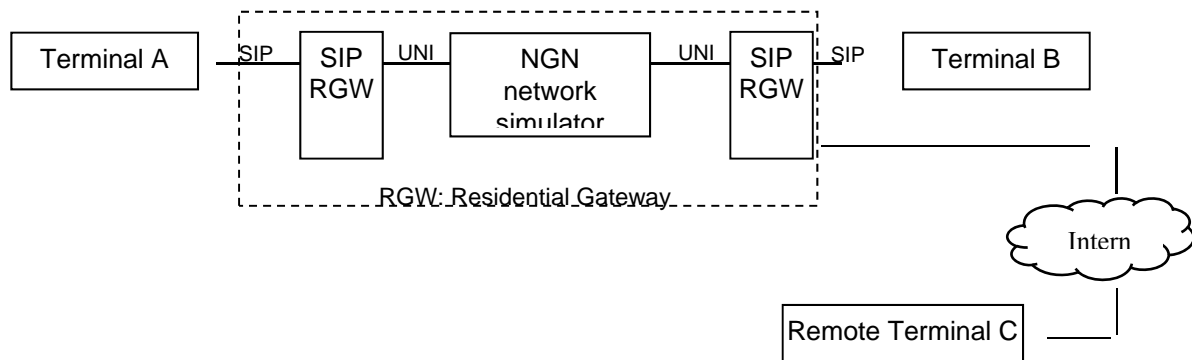
**Table 1: Questionnaire for NGN Interoperability Testing**

| Items   | Description   |
|---|---|
| Name of equipment   |   |
| Baseline standard (Requirements to NGN UNI signalling profile and registration procedure) |   |
| Interface   | <input type="checkbox"/> UNI [ <input type="checkbox"/> Q.3402 <input type="checkbox"/> other( ) ]  |
| Procedures of terminal Registration to NGN  | <input type="checkbox"/> Q.3948 Annex C <input type="checkbox"/> other ( )  |
| Interoperability test suites (service testing framework)                                  |   |
| NGN service test specifications   | <input type="checkbox"/> ITU-T Rec.Q.3948 (Service testing framework for VoIP at the user-to-network interface of next generation networks)<br><input type="checkbox"/> ITU-T Rec.Q.3949 (Real-time multimedia service testing framework at the user-to-network interface of next generation networks)<br><input type="checkbox"/> Others |
| Other items   |   |
| IP version  | <input type="checkbox"/> IPv4 <input type="checkbox"/> IPv6 <input type="checkbox"/> IPv4 & IPv6  |
| Signalling protocol   | <input type="checkbox"/> SIP(RFC3261) / SDP(RFC4566)<br><input type="checkbox"/> Other protocols( )   |
| Remote testing  | <input type="checkbox"/> Participating by remote testing [ Place : ]  |
| Test category   | <input type="checkbox"/> VoIP terminal interoperability testing<br><input type="checkbox"/> Video phone terminal interoperability testing<br><input type="checkbox"/> Video Conference and HDTV Conference interoperability testing<br><input type="checkbox"/> Others ( [ ] )  |
| Specifications of equipment   | Dimensions:<br>Weight:<br>Power consumption:  |
| Notes   | Please indicate any other comments  |

#### 1. Outline of testing

- 1) Test condition: End-to-End Multimedia service interoperability testing based on ITU-T Q.3402 NGN-UNI
- 2) Category of testing: VoIP, Video Phone, Video Conference, HDTV Conference
- 3) Terminals: SIP terminal (See Figure1)
- 4) Test scenarios : Basic call connection of Audio/Visual communications based on ITU-T Q.3948/Q.3949.
- 5) Event Schedule: 25<sup>th</sup> August 2014
- 6) Preparation Schedule:  
Close of registration Fri 25 July  
Cross check of parameter sheets and confirmation of test sequence Mon 28 July -

## 7) Test configuration



**Figure 1 NGN Interoperability testing configuration**

8) Remote Testing: See Figure1 Remote Terminal C

## 2. Baseline standard

- 1) Q.3402 as requirements to NGN UNI signalling profile
- 2) Q.3948 Annex C as requirements to NGN registration procedure

## 3. Interoperability test suites

- 1) Q.3948 as a service testing framework for VoIP at the UNI of NGN
- 2) Q.3949 as a service testing framework for Visual communications at the UNI of NGN



### **3. Interoperability test suites**

- 1) HSTP.CONF-H701, conformance testing specification for H.701
- 2) HSTP.CONF-H721, conformance testing specification for H.721(\*)
- 3) HSTP.CONF-H762, conformance testing specification for H.762
- 4) HSTP.CONF-H770, conformance testing specification for H.770

(\*) If ITU-T H.721.Rev.1 will be consent on 11 July 2014, ITU-T H.721 will be obsolete. At that time, H.721.Rev.1 and a conformance testing specification correspond to it will be used for testing.

### ANNEX 3

#### **For Exhibitors of Showcasing**

Please fill the table below to describe the equipment which you will bring to the event.

| <b>Items</b>         | <b>Description</b>                                    |
|----------------------|---|
| Topics of Showcasing |   |
| Equipment 1          | Name:<br>Dimensions:<br>Weight:<br>Power consumption: |
| Equipment 2          | Name:<br>Dimensions:<br>Weight:<br>Power consumption: |
| Equipment 3          | Name:<br>Dimensions:<br>Weight:<br>Power consumption: |
|                      |   |
| Notes                | Please indicate any other comments and requirements.  |