



ITU-T Kaleidoscope Conference Innovations in NGN

VCC Service: Standardization of Integration between CS domain and IMS

Rodrigo Bellotto Campacci

Universidade de São Paulo

Portugal Telecom Inovação Brasil

rbcampacci@yahoo.com.br



Geneva, 12-13 May 2008

Agenda

- Introduction
- The VCC Service
- Integration between CS and IMS
- Conclusions
- Questions

Introduction

“If you can dream it, you can do it.”

Walt Disney

- Result of Master Degree research
- Sponsored by PT Inovação Brasil
- About New 3GPP Release
 - Published in July/2007

Introduction – Contextualization

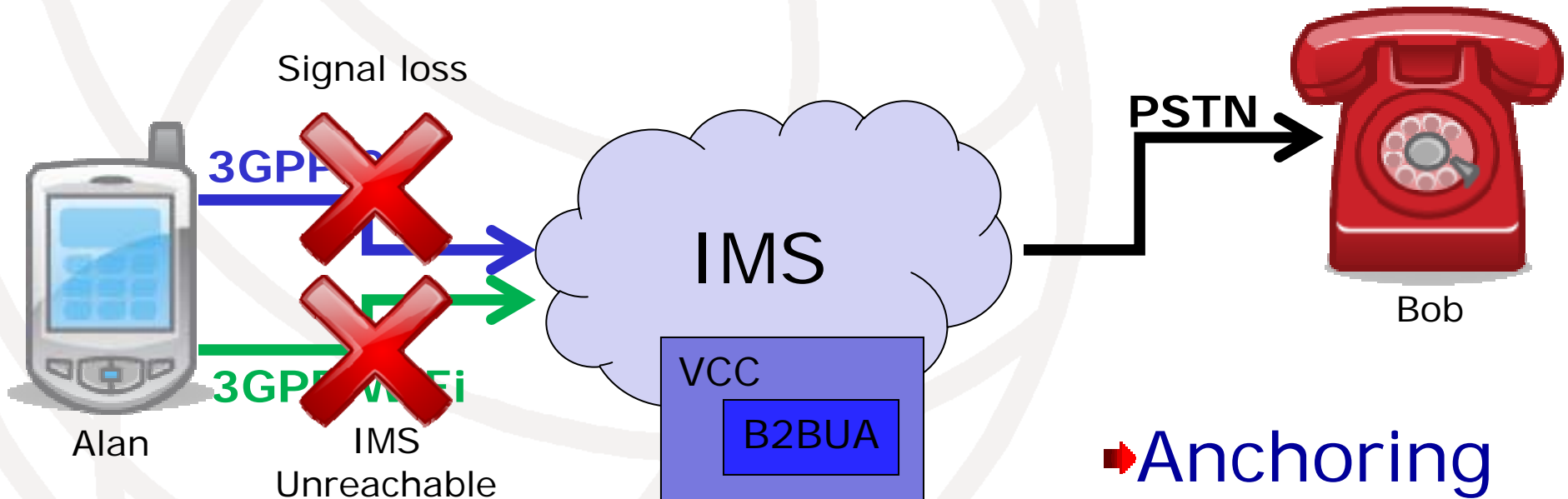
- People are looking for...
 - Multimedia and Interactivity
 - Convergence and Mobility
- NGN was created to reach these points
- IP Multimedia Core Network (IMS)
 - Implements NGN, inside 3GPP
 - Many networks as access networks
 - Has a lot of services specified

The VCC Service

- Voice Call Continuity...
 - Uses 3GPP Core Network and at least 2 3GPP Access Networks
 - Is very important to IMS and NGN
 - Like handover between cells in a GSM network
 - It guarantees mobility in a convergent network
 - Provides the ability to keep a call even if the access network used is changed
 - User should not perceive audio interruption

The VCC Service – How it works?

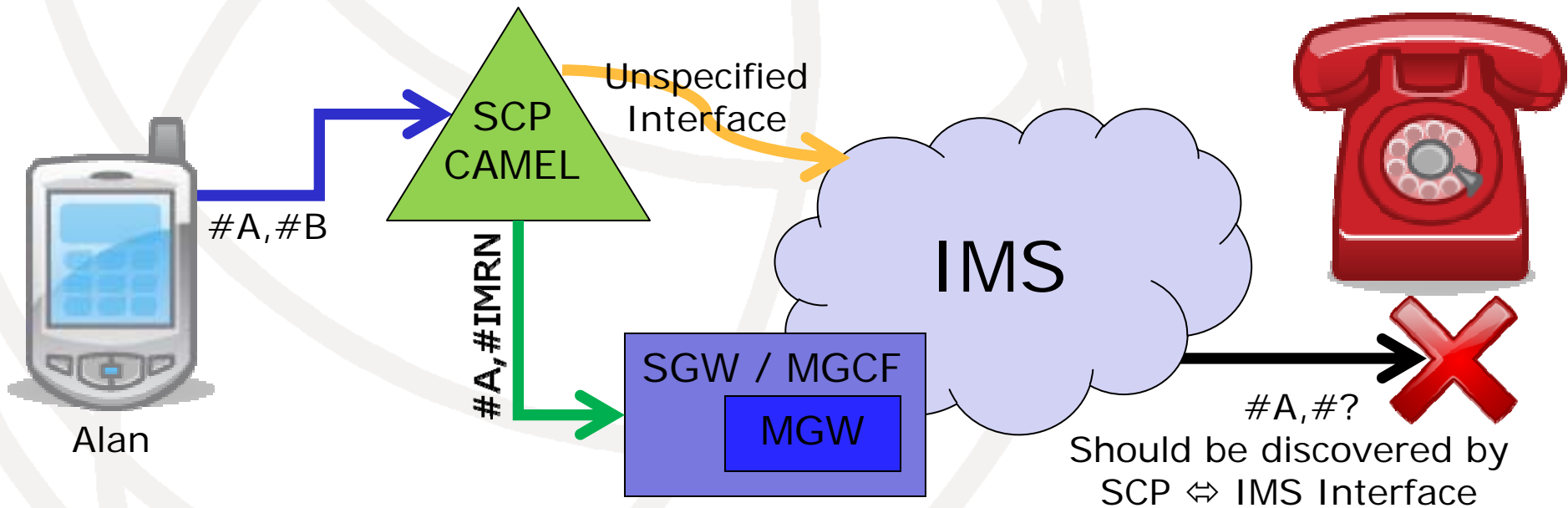
- Uses a B2BUA SIP Application
 - ➔ When a domain transfer is needed
 - ➔ Updates the audio source on the destiny
 - ➔ Accordingly to the new network used



➔ Anchoring
in IMS

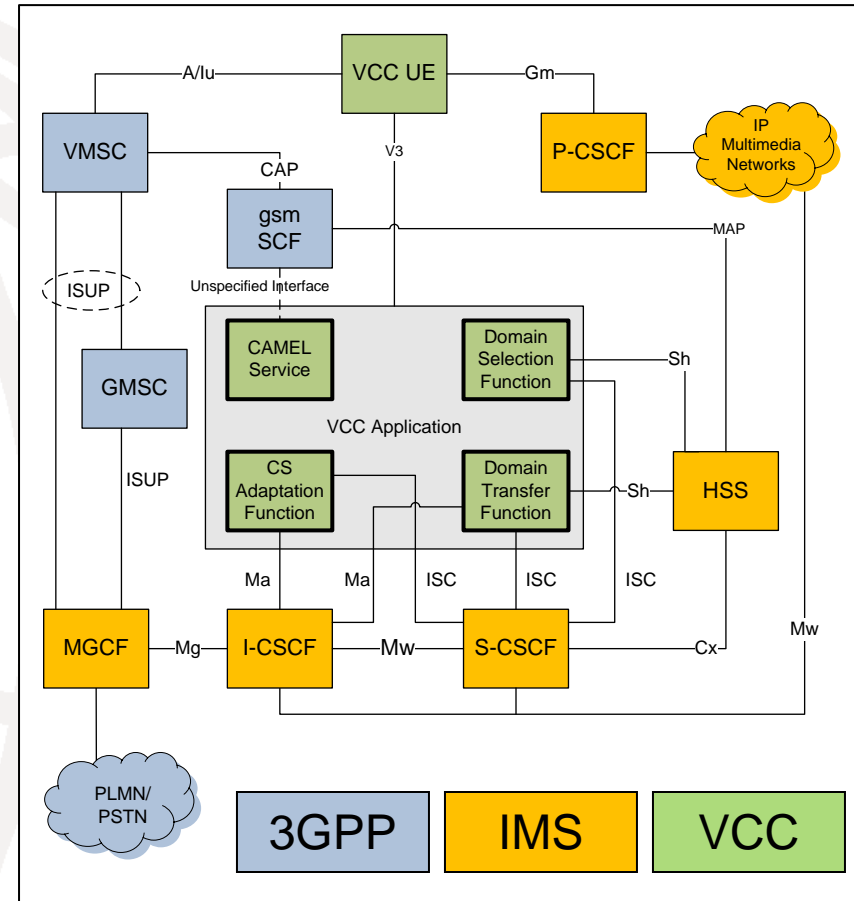
The VCC Service – CS to IMS

- Forward CS initiated calls to IMS
 - ➔ Static Routing at MSCs
 - ➔ CAMEL Service ←
- Could lose some information!



The VCC Service – Architecture

- 3GPP TS 23.206
- Functional Entities
- Reference Points
 - IETF
 - ➔ SIP: Gm, ISC, Ma, Mg, Mw
 - ➔ DIAMETER: Sh, Cx
 - 3GPP
 - ➔ A/Iu, ISUP, CAP, MAP



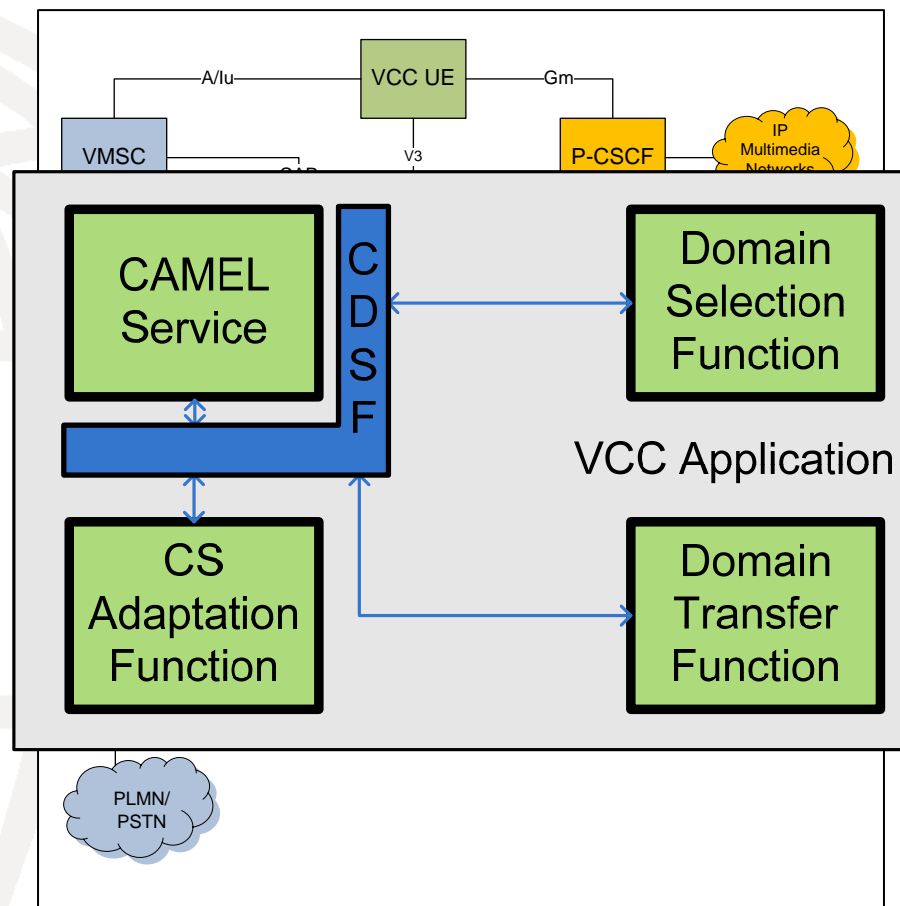
Integration Between CS and IMS

- Interfaces have not been specified

- ➔ Vendor dependent
- ➔ Problems to interoperate

- Proposal

- ➔ Call Data Storage Function (CDSF)



Integration Between CS and IMS

- CDSF is responsible for
 - Storing data which could be lost
 - Reference (PK), Calling, Called, Date
 - Keeping a list of known references
 - IMRN – used to route to IMS
 - CSRN – used to route to CS
 - Controlling their usage statuses
 - Free or been used
 - Shared between CAMEL Service/CSAF/DSF
 - To avoid collision in the same voice channel

Integration Between CS and IMS

■ CDSF characteristics

➤ Protocols

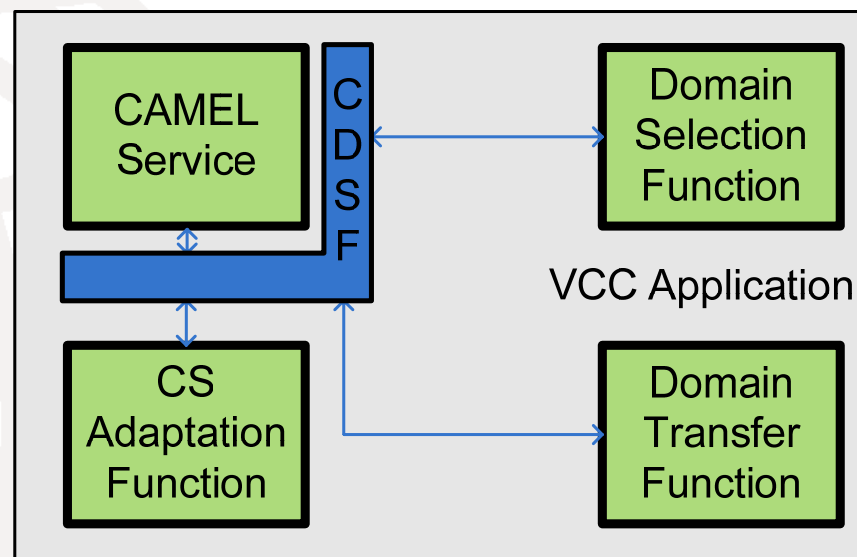
- Sockets/TCP/IP
- URL-encoded/HTTP ←

➤ Data Storage

- Files (plain, XML...)
- Database (MySQL, Sybase, Oracle ←)

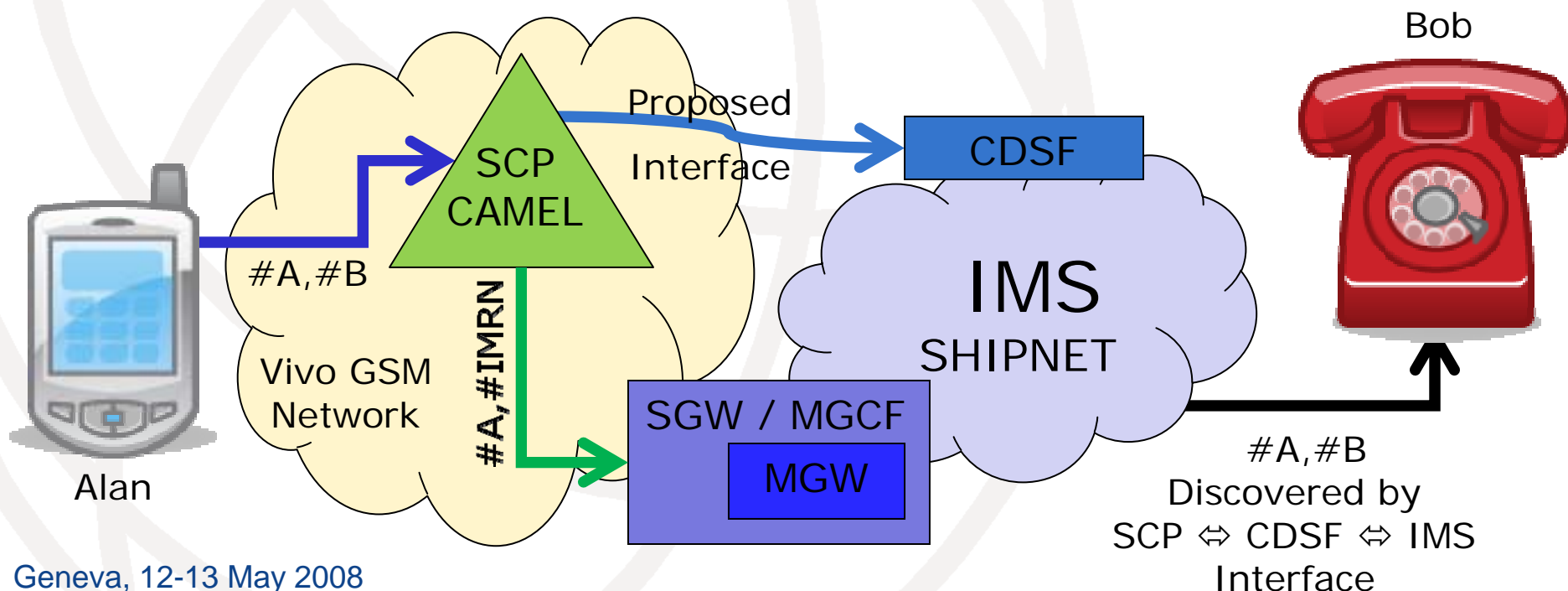
➤ Methods

- GetReferenceType()
- SaveDataCSCall()
- LoadDataCSCall()
- SetReferenceStatus()
- SaveDataIMSCall()
- LoadDataIMSCall()



Integration Between CS and IMS

- CDSF is working
 - Many scenarios successfully tested
 - Implementation was demonstrated at FUTURECOM 2007



Conclusions

- Contribution to VCC Standards
 - It is possible to integrate CS and IMS
 - Could be used an open interface
 - Interoperability guaranteed
- Separation of Control and User Plane
 - Fundamental to implement the VCC
- Migration to IMS
 - VCC is an advantage



ITU-T Kaleidoscope Conference Innovations in NGN

VCC Service: Standardization of Integration between CS domain and IMS

Thank You Very Much!

Questions?



Geneva, 12-13 May 2008