



International Telecommunication Union



PSTN Migration towards NGN

Ning Li

Huawei Technologies

ITU-T/ITU-D Workshop "Standardization and Development of Next Generation Networks"
Dar es Salaam, 3-5 October 2006



Req's Operators Are Facing



Voice Service

PSTN Optimization
 CRBT NP PPS
 OPEX Saving Local CDR
 PSTN Consolidation

Multimedia Service

Media Push

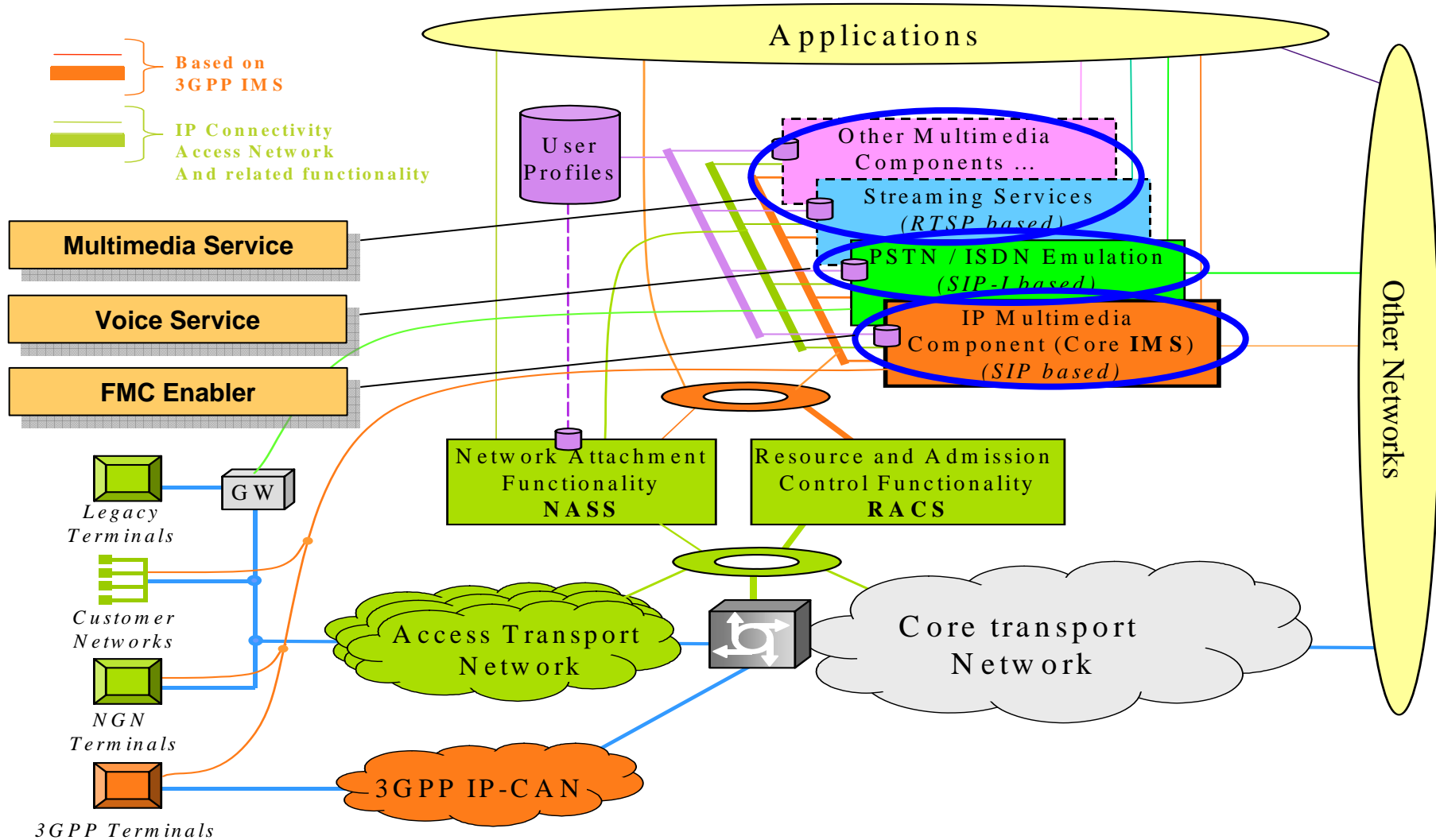
PTX IPTV
 ICT MRBT
 Instant Message MCID
 IP CENTREX
 Presence
 Game



F&M Convergence

Unified Authentication
 UPT Access Agnostic
 VCC
 Seamless Roaming
 Same Experiences
 Unified Database

Voice Service is the main profit source of operators now, **Multimedia Service** and **FMC** are the future gain point.



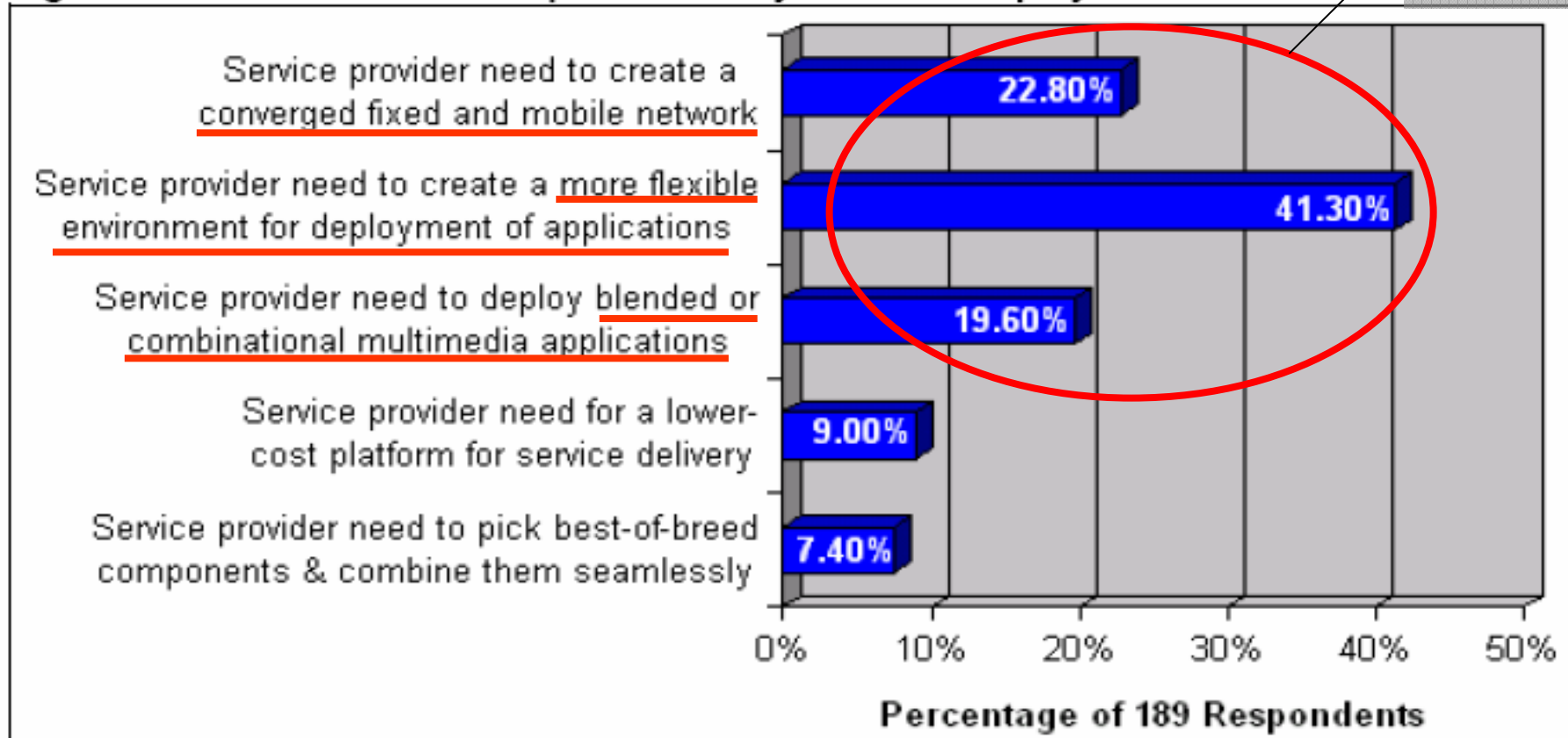


IMS for FMC & Multimedia Services



Figure 1.1: What Is the Most Important Catalyst for IMS Deployment?

TOP 3 Drives



Source: Light Reading*

IMS is mainly designed for FMC and multimedia services.



Summary



IMS is mainly designed for FMC and multimedia services.

Voice is still the primary requirement of customers and the maximal profit source of operators currently.

Question: How to support PSTN services in the NGN?

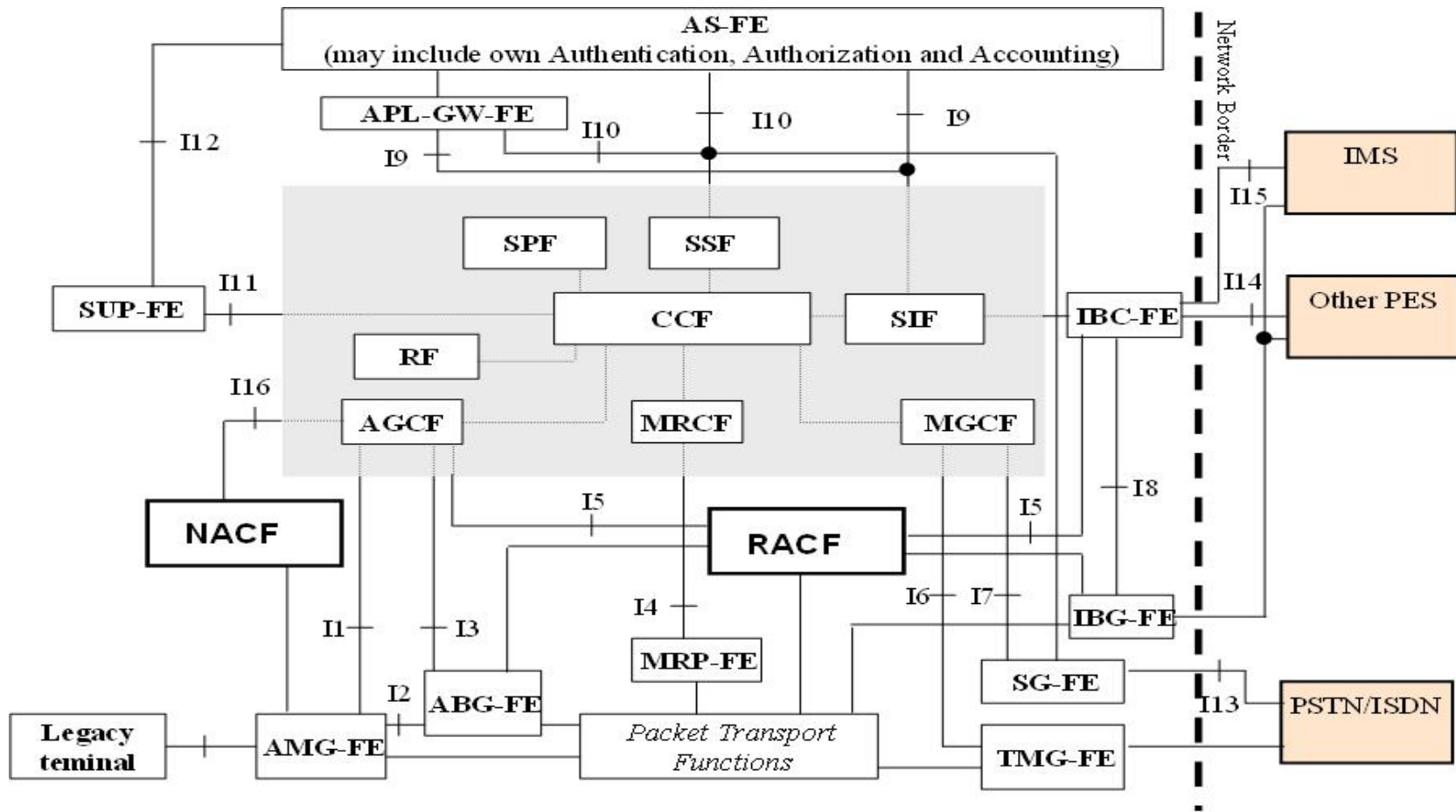


PSTN Emulation Approaches



- o Call Server-based PES
- o IMS-Based PES

Call Server-Based IMS



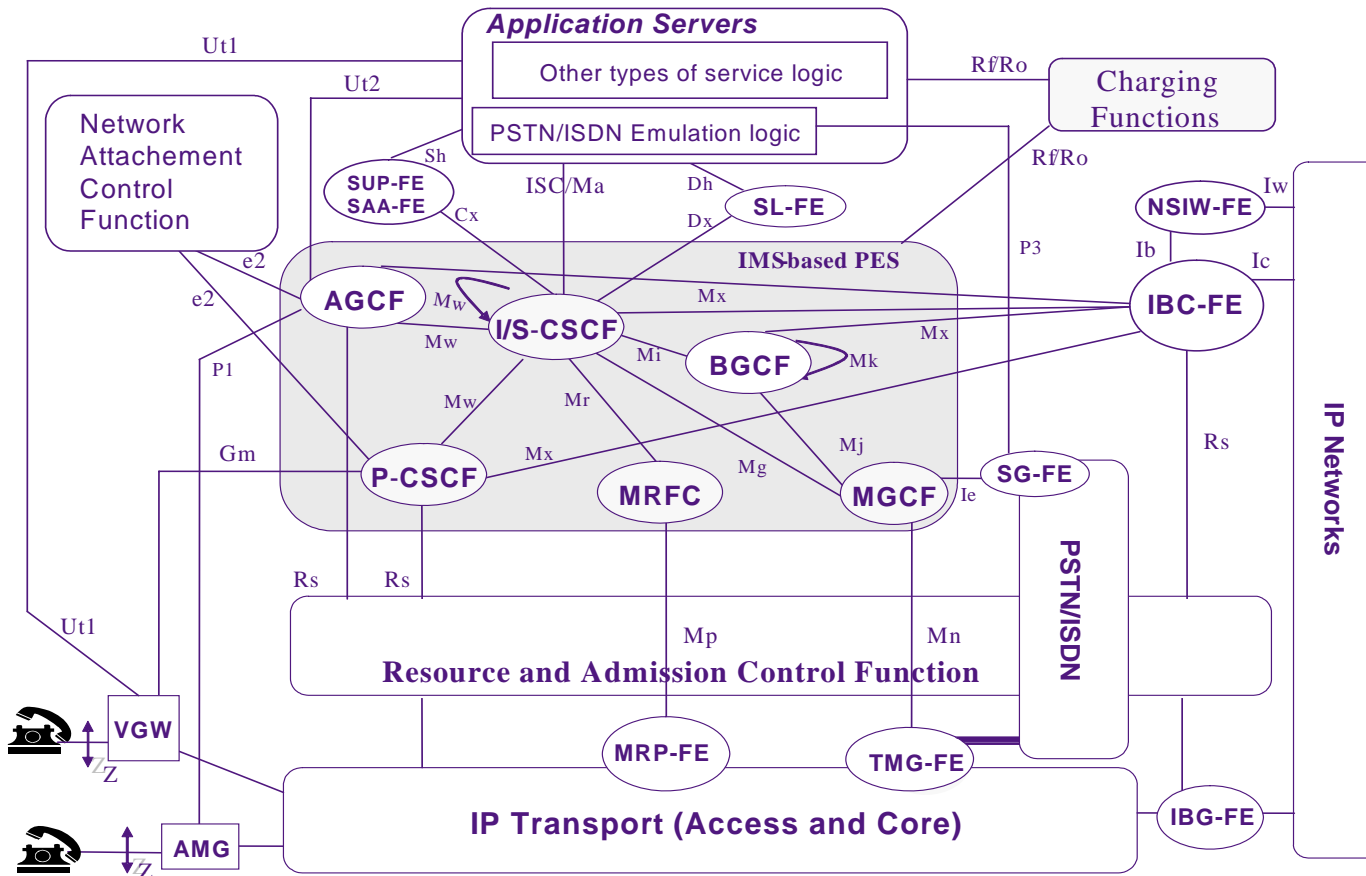
According to Y.PIEA, consented at the last SG13 plenary in July, 2006



Characteristics of Call server-based PES



- BICC protocol may be used as signalling protocol besides SIP protocol.
- Supplementary services can be provided by SPF in the service control layer.
- ABG-FE may have the following additional functions:
 - Acting as proxy node
 - Address conversion function
 - Security functions



According to Y.PIEA, consented at the last SG13 plenary in July, 2006



Business Strategy determines Choice



- o The network conditions and the service development strategies determine Operator's choice
 - Pstn: 'old' or 'still young'
 - Development strategy
 - Regulation
 - ...



The End



Thank you for your attention!

(<http://www.huawei.com>)