



ORGANISATION FOR ECONOMIC
CO-OPERATION AND DEVELOPMENT



OECD's Fixed and Mobile pricing baskets and progress on a mobile broadband indicator

2008 Global Event on Measuring the
Information Society, Geneva, 27 May

Content

- **OECD Telecommunications Baskets**
 - Principles and revisions history
 - Fixed PSTN baskets
 - Mobile basket
- **Progress on a mobile broadband indicator**

The OECD price baskets

Fixed-line baskets					Mobile baskets		
Business		Residential			Residential/Business		
SOHO	SME	Low	Medium	High	Low	Medium	High
<i>1</i>	<i>2</i>	<i>3</i>	<i>4</i>	<i>5</i>	<i>6</i>	<i>7</i>	<i>8</i>



Baskets revision history

- The original OECD Telecommunications Price baskets were published in 1990
- In 1995 Eurodata Foundation (now Telingen) began offering a commercial product modeled on the OECD baskets, called T-Basket
- Revision in May 1999 of the baskets definitions
- Mobile baskets revision workshop in London, Oct. 2001
- Basket Revision Workshop in Rome, June 2005
- Possible revision next year (2009)

Fixed-line baskets

	Calls per year
Business baskets	
SOHO (small office/ home office)	1800
SME (small and medium-sized enterprises)	2 800 /30 employees
Residential baskets	
Low-usage basket	600
Medium-usage basket	1200
High-usage basket	2400

Calls are broken down according to distance, destination (fixed, mobile networks and international), and time of day.

Mobile baskets

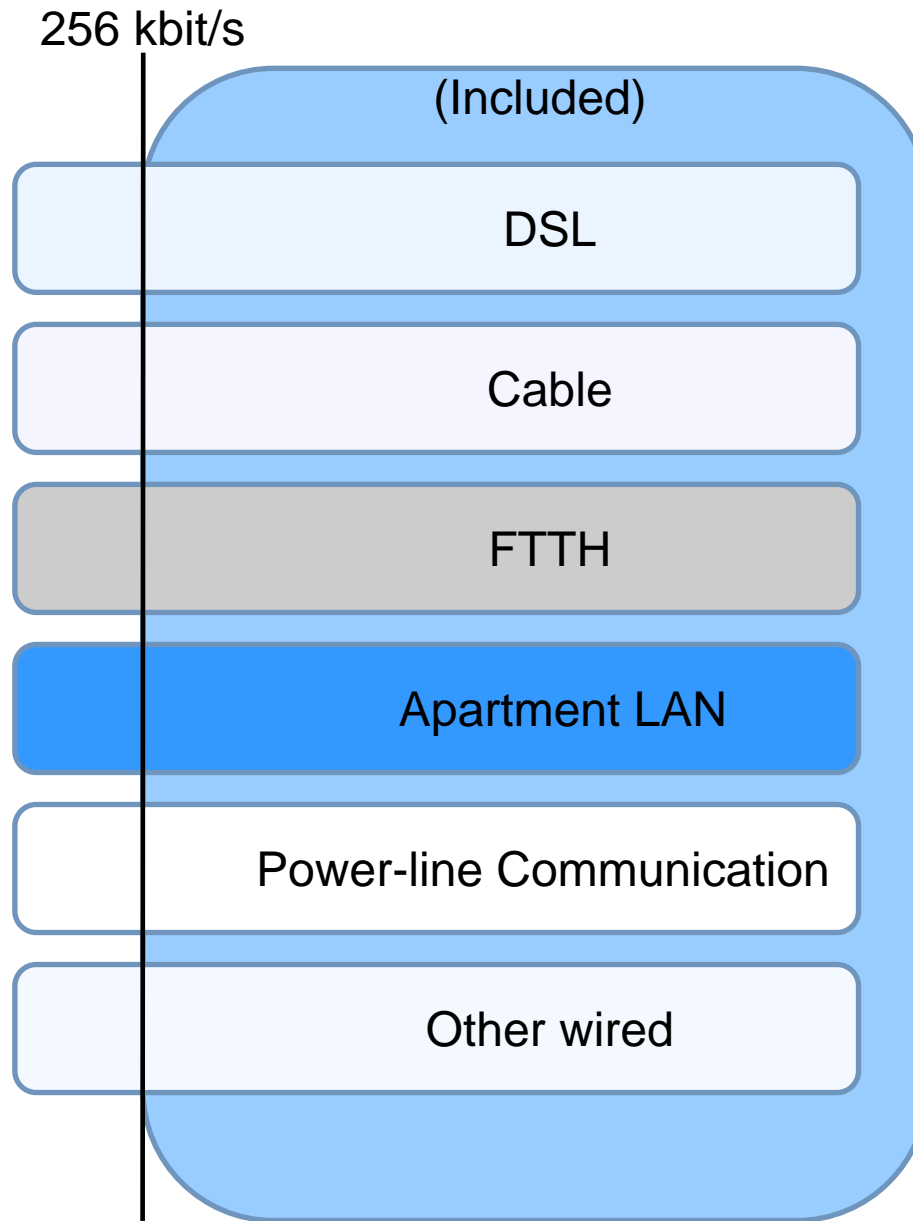
	Calls	SMS	MMS
Low-usage basket	360	396	8
Medium-usage basket	780	600	8
High-usage basket	1680	660	12

Calls are distributed between peak and off-peak hours and baskets use an average call duration for calculations



Progress on a mobile broadband indicator

Wired Broadband



3G issues if we go forward

- Data problems such as non-usage of mobile data are likely short term (< 5 years, iPhone effect)
- Criteria Proposals
 - USAGE: Data should reflect subscriptions and not actual usage
 - DEVICE TYPE: Data collection should not be limited to type of radio equipment (e.g. data cards vs. mobile)
 - COVERAGE: Should not be limited based on network coverage
 - CONTENTION RATIOS: Should not be limited to certain contention ratios
 - BIT CAPS: Should not be limited to plans with certain bit caps
- Wi-Fi should not be included (double counting with wired)

The 3G (IMT-2000) problem

- Usage: May impose requirement
- Bit caps: No restrictions
- Access equipment: No restrictions
 - Mobile vs. 3G data cards
- Coverage: No restrictions
- Contention ratios: No restrictions
 - Backhaul or spectrum





ORGANISATION FOR ECONOMIC
CO-OPERATION AND DEVELOPMENT



Thank you